



US00D846784S

(12) **United States Design Patent**
Luo

(10) **Patent No.:** **US D846,784 S**

(45) **Date of Patent:** **** Apr. 23, 2019**

(54) **LED PROJECTION LAMP**

(71) Applicant: **Chenghua Luo**, Guangdong (CN)

(72) Inventor: **Chenghua Luo**, Guangdong (CN)

(**) Term: **15 Years**

(21) Appl. No.: **29/619,711**

(22) Filed: **Sep. 30, 2017**

(51) **LOC (11) Cl.** **26-03**

(52) **U.S. Cl.**
USPC **D26/63**

(58) **Field of Classification Search**
USPC D26/24, 60-65, 93
CPC F21S 8/02; F21S 8/003; F21S 8/026; F21S
8/03; F21S 8/038; F21S 8/04; F21S
8/043; F21S 6/00; F21V 5/046; F21V
5/04; F21V 1/00; F21V 5/00; F21V
21/02; F21V 15/01

See application file for complete search history.

(56) **References Cited**

U.S. PATENT DOCUMENTS

D242,945 S * 1/1977 Moore D26/65
D316,303 S * 4/1991 Layne D26/63

D335,193 S * 4/1993 Shaanan D26/63
D346,234 S * 4/1994 Sammis D26/63
D407,518 S * 3/1999 Yeh D26/63
D427,696 S * 7/2000 Scott D26/63
D562,486 S * 2/2008 Luke D26/61
D715,474 S * 10/2014 Janos D26/63
D729,965 S * 5/2015 Recker D26/63
D767,192 S * 9/2016 Cai D26/63
D806,298 S * 12/2017 Recker D26/63
D812,280 S * 3/2018 Lechtenberg D26/63

* cited by examiner

Primary Examiner — Brian N. Vinson

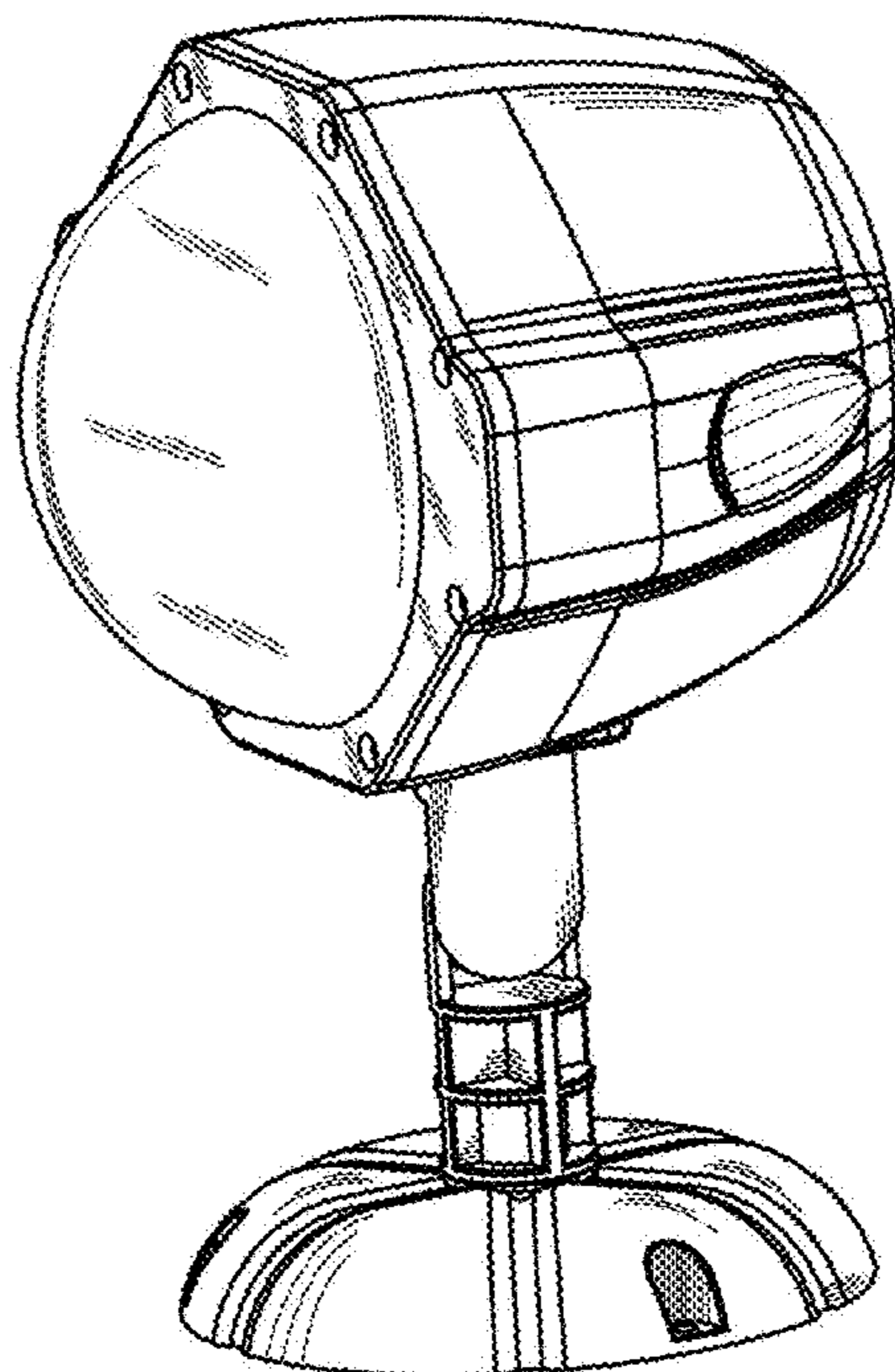
(57) **CLAIM**

The ornamental design for a LED projection lamp, as shown and described.

DESCRIPTION

FIG. 1 is a perspective view of a LED projection lamp showing my new design;
FIG. 2 is a front elevational view thereof;
FIG. 3 is a rear elevational view thereof;
FIG. 4 is a left side elevational view thereof;
FIG. 5 is a right side elevational view thereof;
FIG. 6 is a top plan view thereof; and,
FIG. 7 is a bottom plan view thereof.

1 Claim, 7 Drawing Sheets



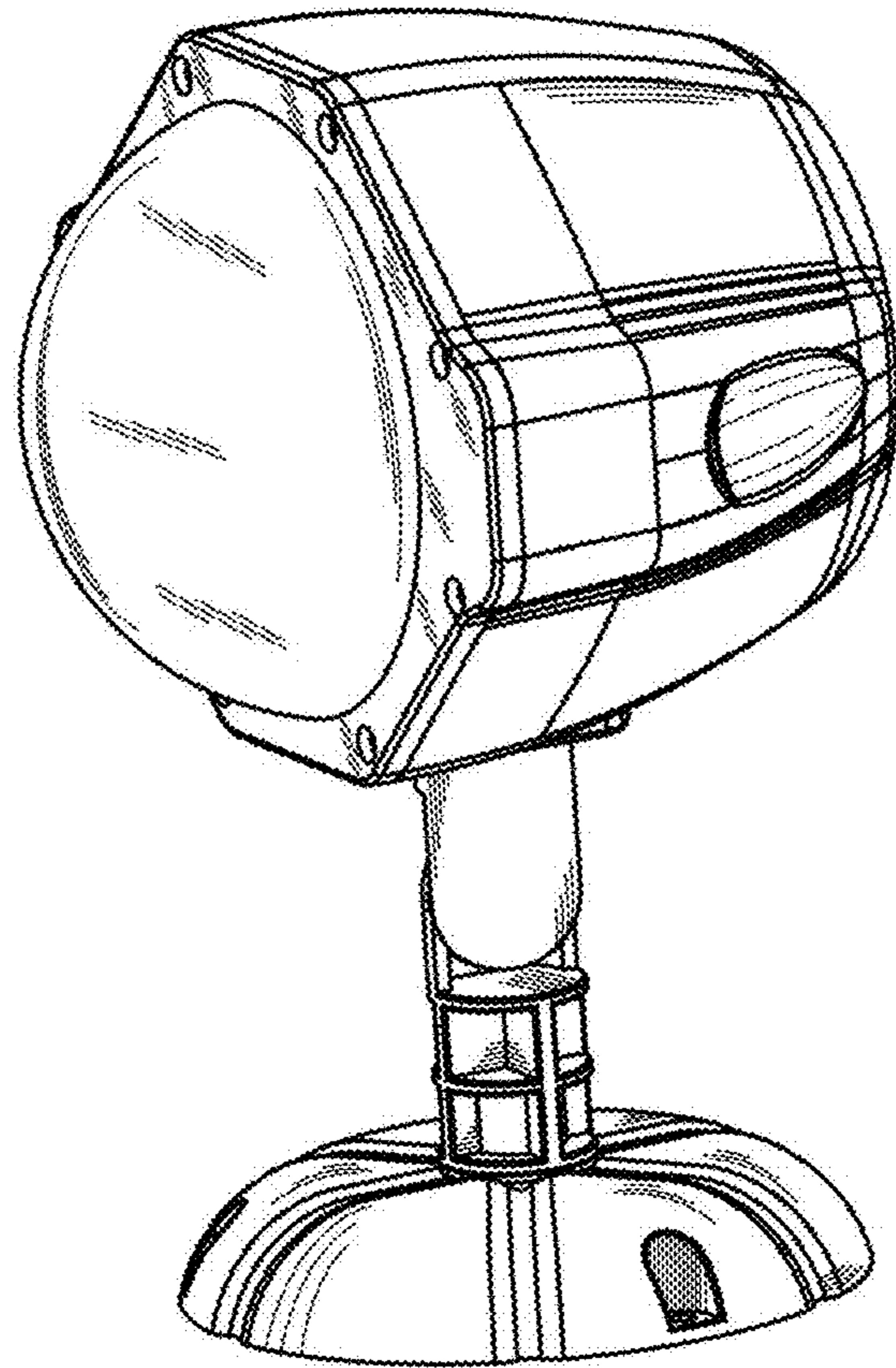


FIG. 1

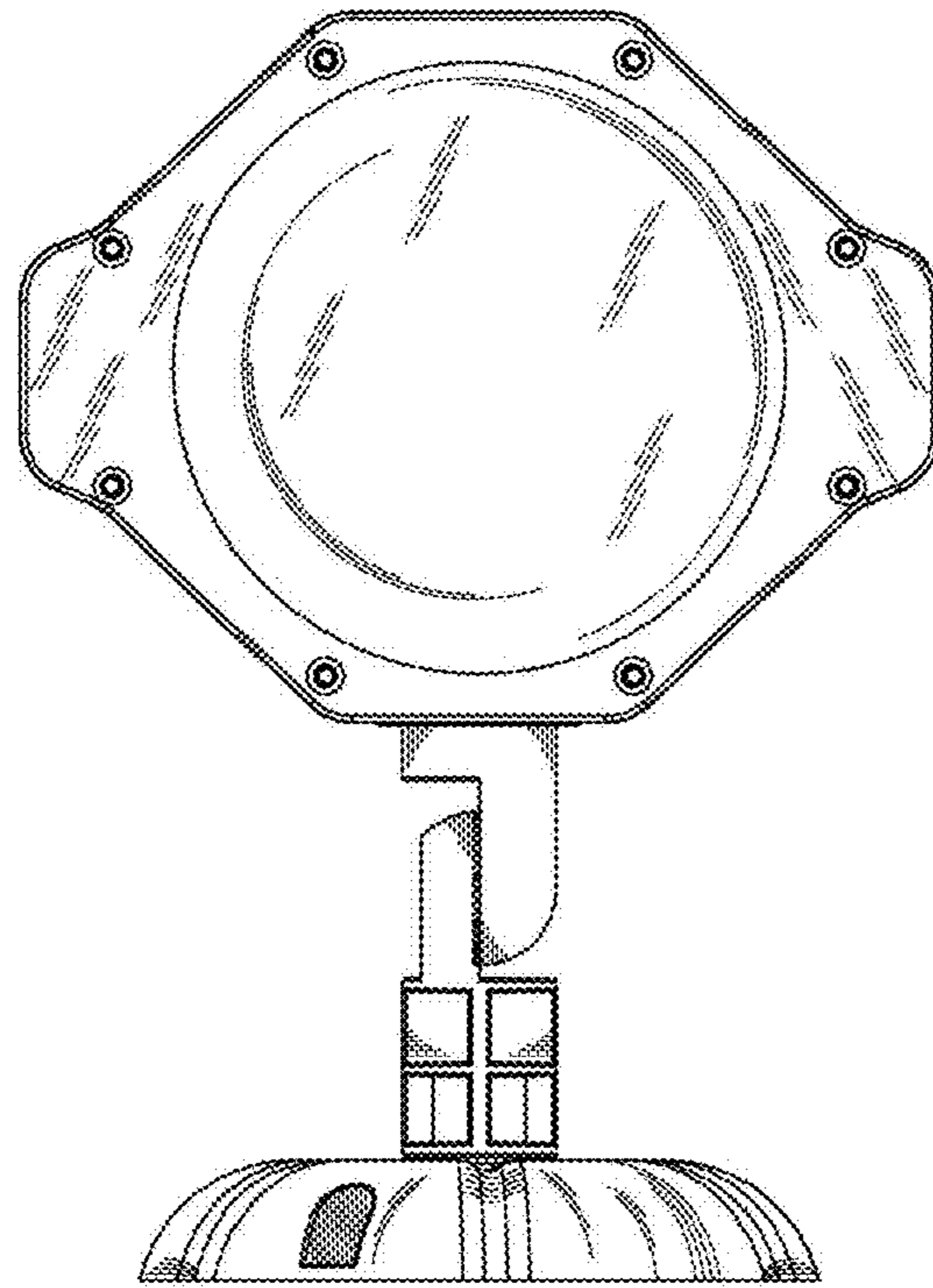


FIG.2

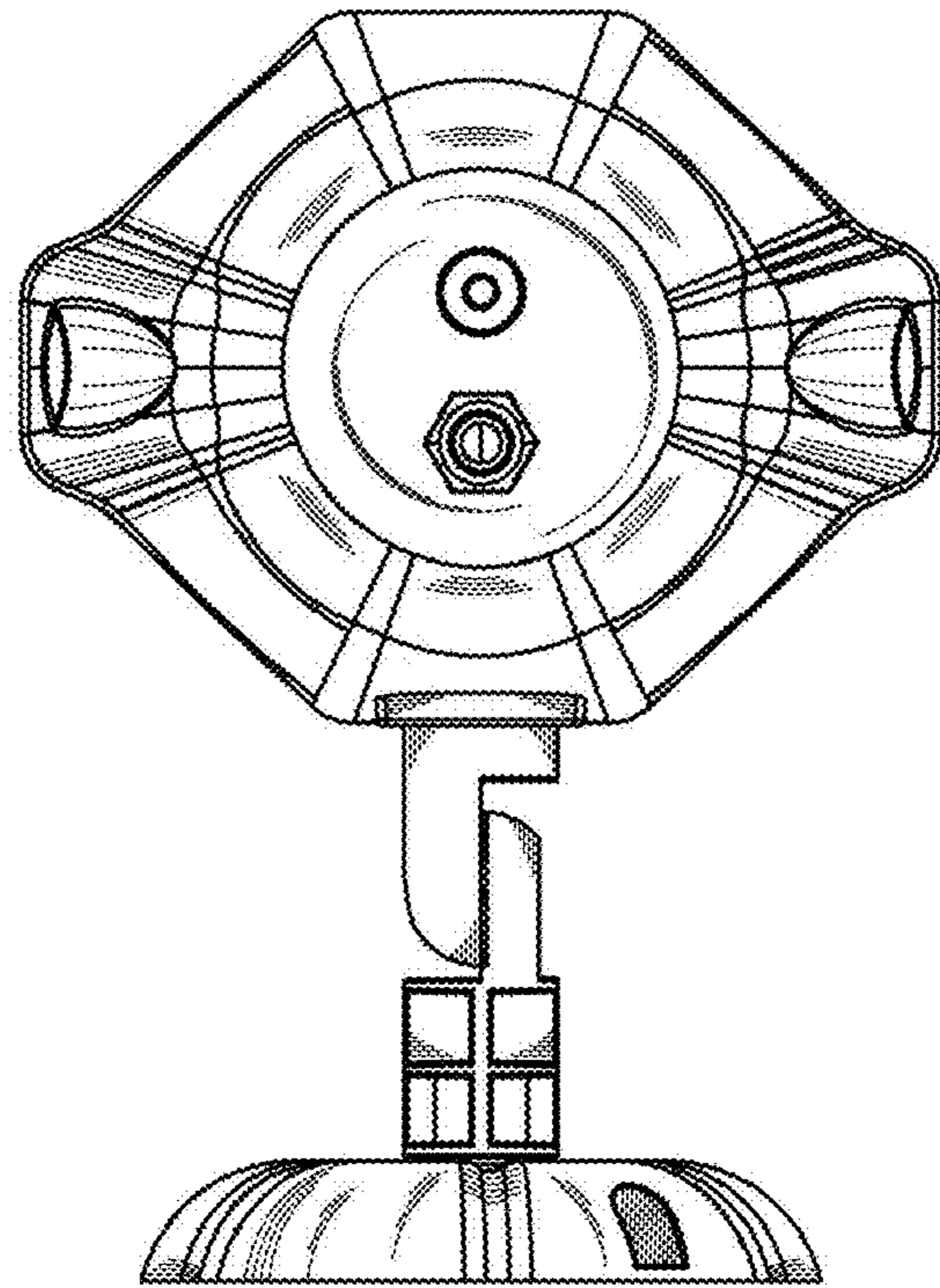


FIG.3

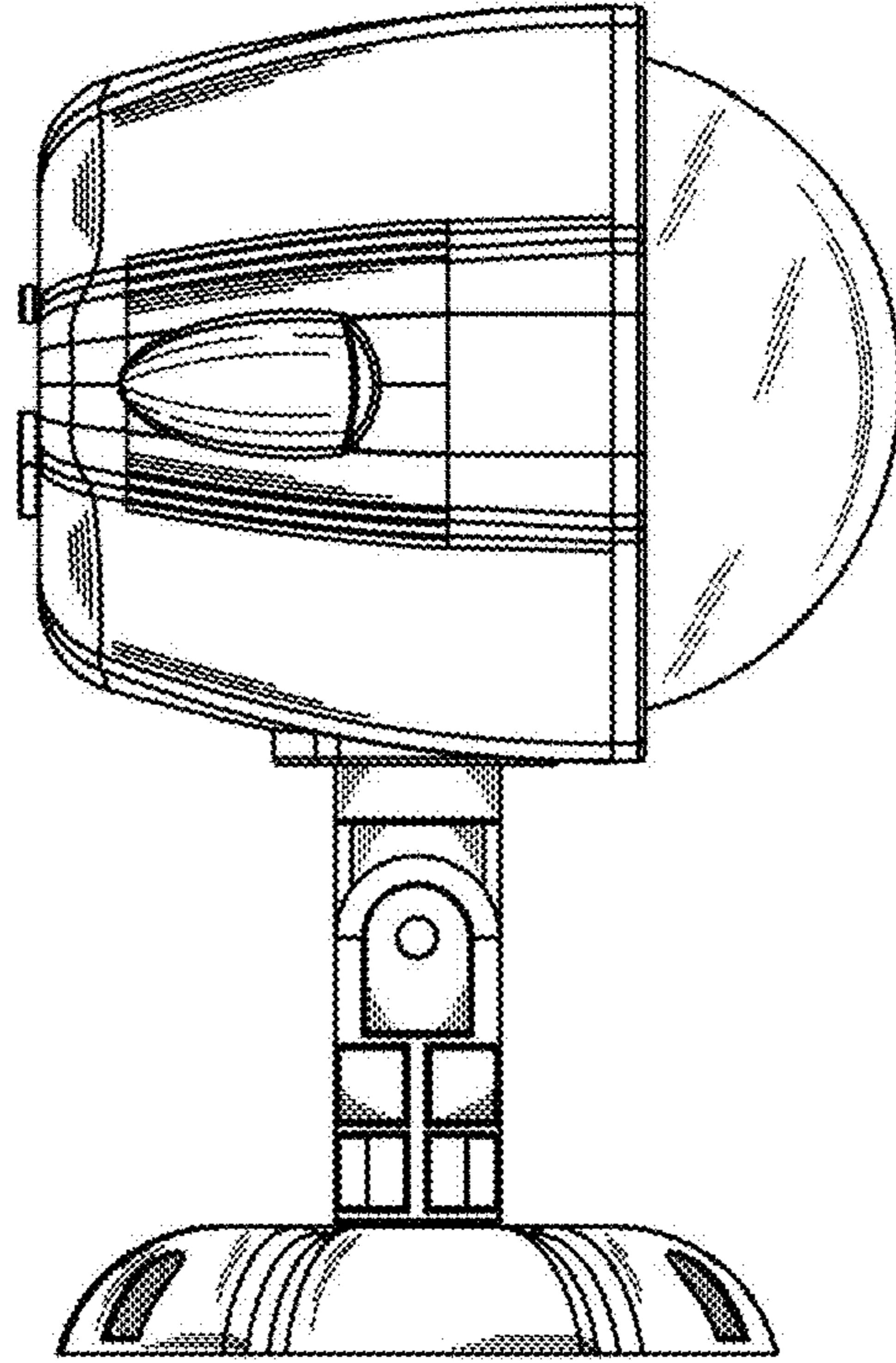


FIG. 4

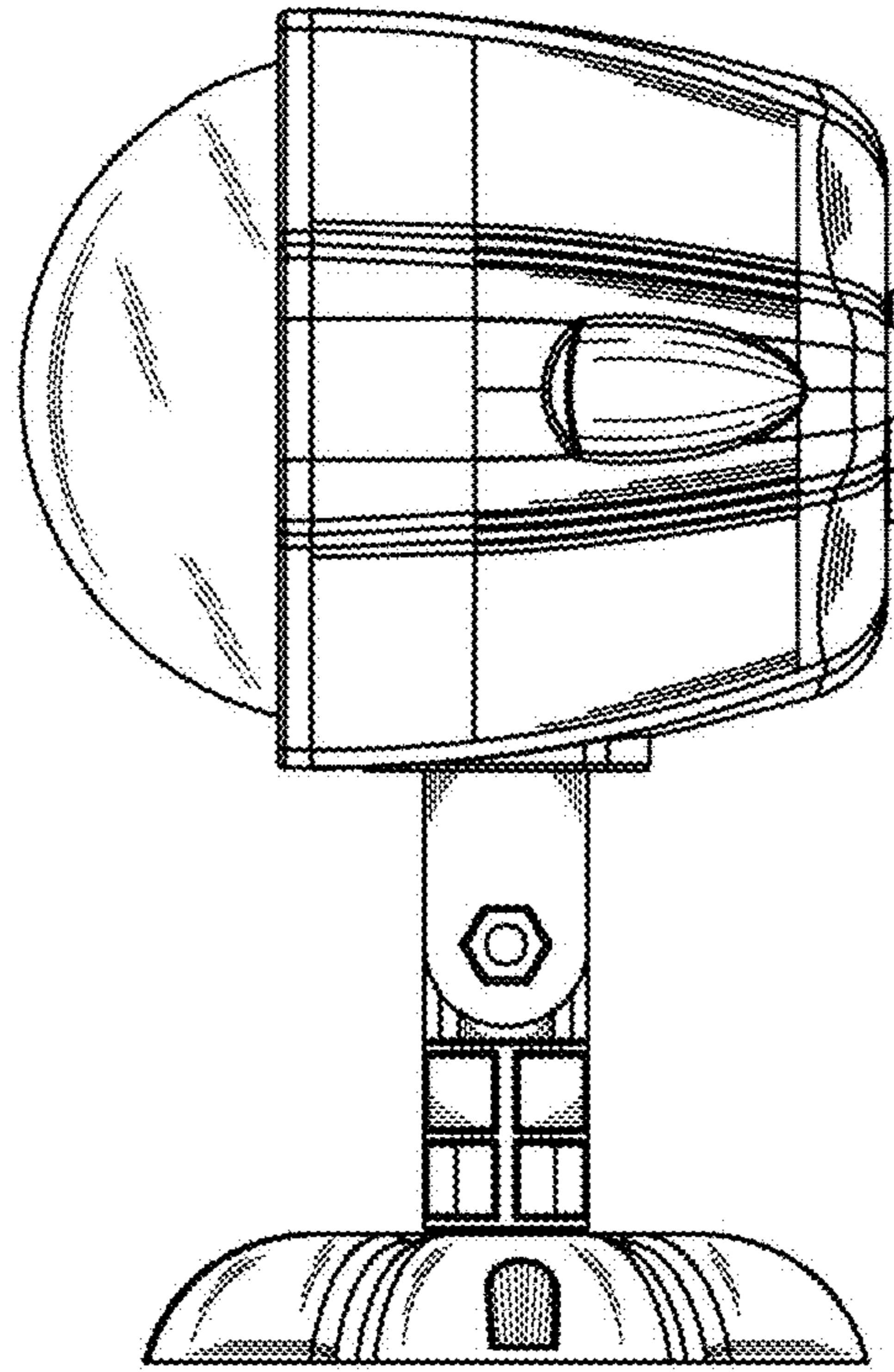


FIG. 5

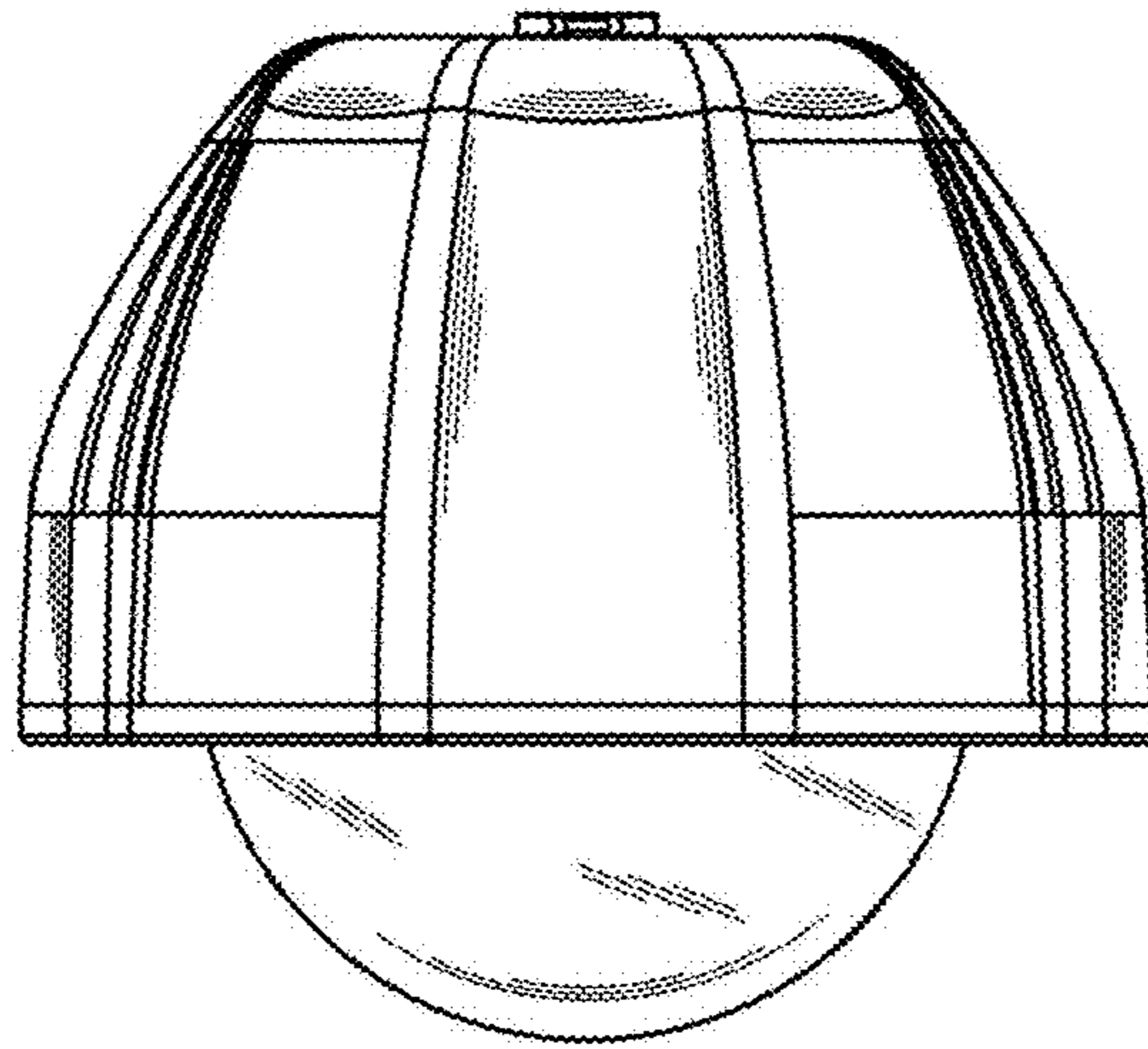


FIG.6

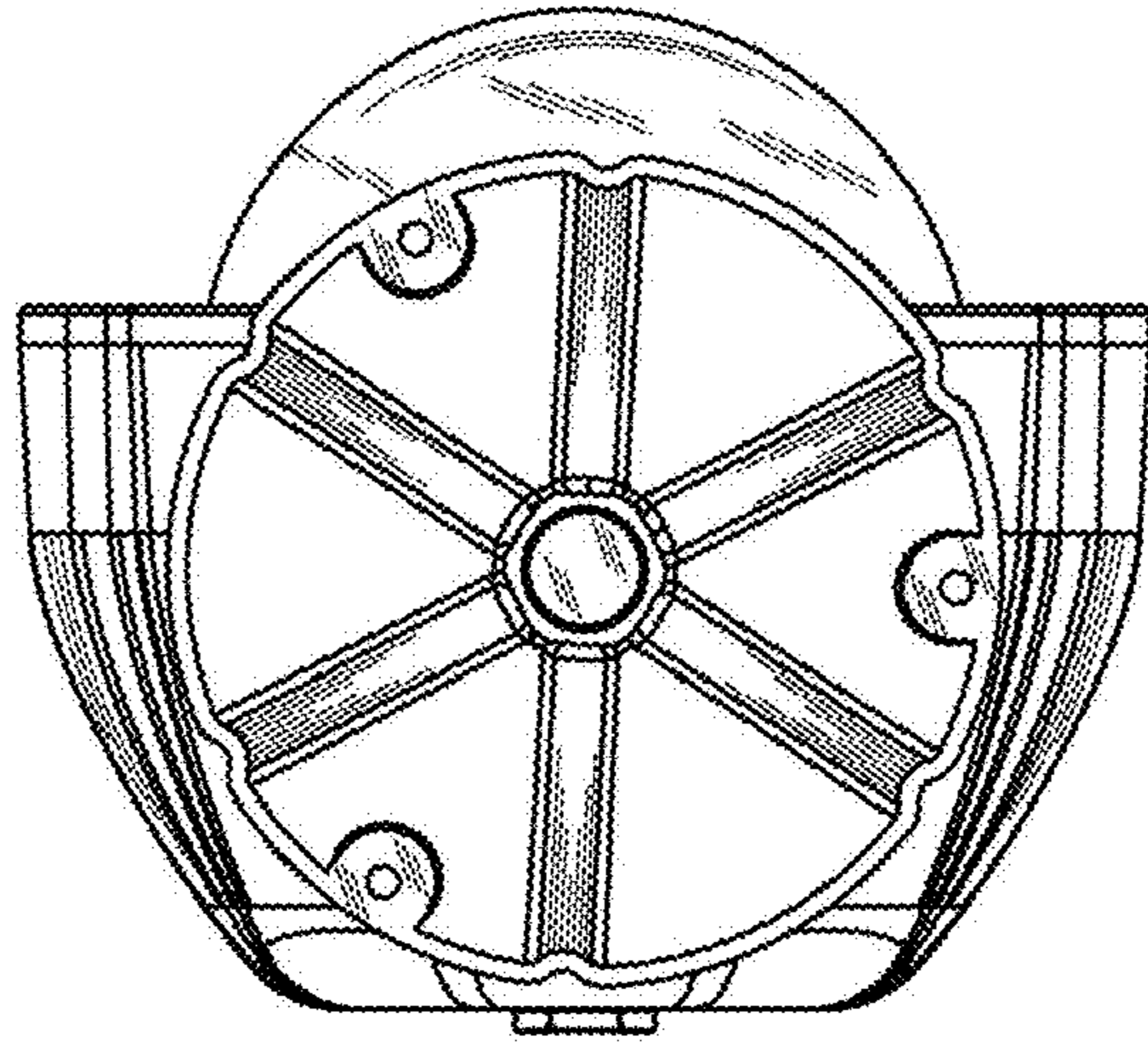


FIG.7