



US00D846783S

(12) **United States Design Patent** (10) **Patent No.:** **US D846,783 S**
Eichelberger (45) **Date of Patent:** **** Apr. 23, 2019**

(54) **LIGHTING DEVICE**

FOREIGN PATENT DOCUMENTS

(71) Applicant: **Streamlight, Inc.**, Eagleville, PA (US)
(72) Inventor: **Cleatis Eichelberger**, East Norriton, PA (US)

AU 138873 4/1947
CA 595051 A 3/1960
(Continued)

(73) Assignee: **Streamlight, Inc.**, Eagleville, PA (US)

OTHER PUBLICATIONS

(**) Term: **15 Years**

Big Larry Power Work Light [online]. [Retrieved on Aug. 22, 2017]
Retrieved from the internet: <https://www.nebotools.com/prod_details.php?id=363&cid=&subid=&subsubcid=>>.

(21) Appl. No.: **29/628,935**

(Continued)

(22) Filed: **Dec. 8, 2017**

(51) **LOC (11) Cl.** **26-02**

Primary Examiner — Karen E Kearney

(52) **U.S. Cl.**
USPC **D26/49**

Assistant Examiner — Carissa C Fitts

(58) **Field of Classification Search**
USPC D26/37-51
CPC F21L 2003/00; F21L 4/00; F21L 4/005;
F21L 4/02; F21L 4/025; F21L 4/027;
F21L 4/04; F21L 4/08; F21L 2005/00;
F21L 7/00; F21L 11/00; F21L 13/00;
F21L 13/04; F21L 13/08; F21L 14/02;
F21L 17/00; F21L 19/00; F21L 25/00

(74) *Attorney, Agent, or Firm* — Design IP

See application file for complete search history.

(57) **CLAIM**

The ornamental design for a lighting device, as shown and described.

(56) **References Cited**

DESCRIPTION

U.S. PATENT DOCUMENTS

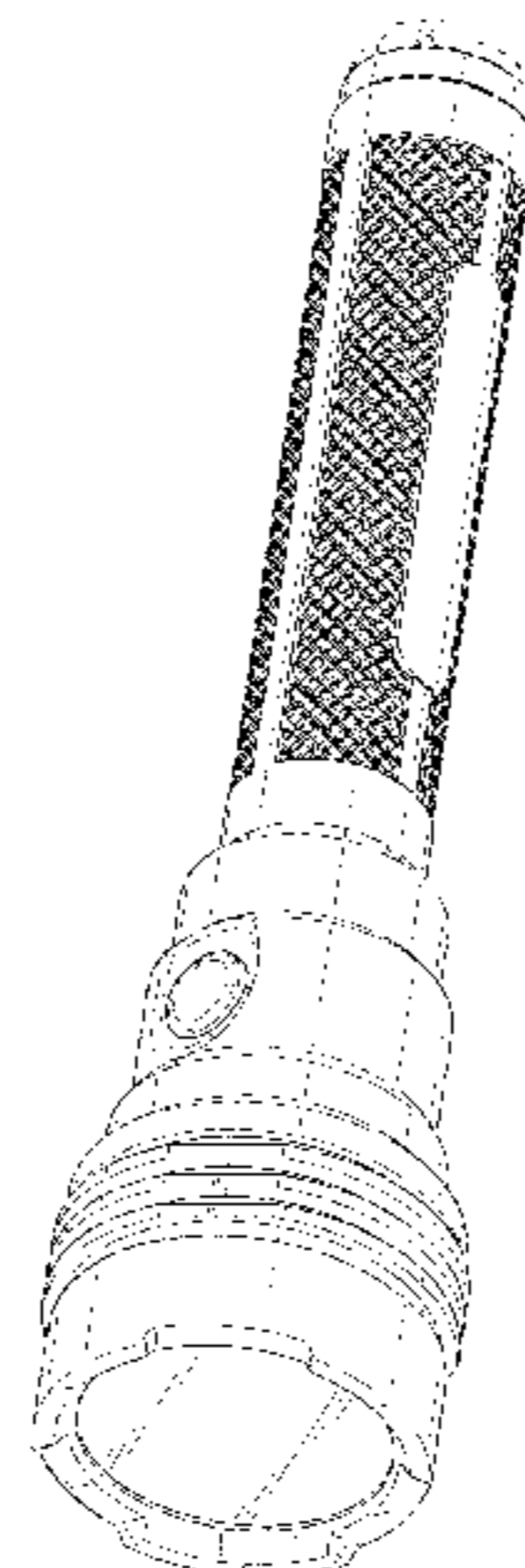
1,106,828 A 8/1914 Monaghan
1,264,520 A 4/1918 Holmes
1,584,539 A 2/1922 Hopkins
1,680,169 A 3/1922 Osean
1,487,983 A 3/1924 Stiriss
1,607,647 A 11/1926 Seikot
1,623,807 A 4/1927 Oakley
1,810,524 A 6/1931 Lyhne
1,917,486 A 7/1933 Beck
1,919,024 A 7/1933 Abbotts
2,016,819 A 10/1935 Meginniss
2,097,222 A 10/1937 Tompkins et al.
2,183,861 A 12/1939 Cotter

FIG. 1 is a front perspective view of a lighting device showing my new design;
FIG. 2 is a front elevation view thereof;
FIG. 3 is a rear elevation view thereof;
FIG. 4 is a left side elevation view thereof;
FIG. 5 is a right side elevation view thereof;
FIG. 6 is a top plan view thereof; and,
FIG. 7 is a bottom plan view thereof.

The dashed-dotted broken line in FIGS. 1-5 and 7 show an unclaimed boundary between claimed and unclaimed subject matter. The dashed broken lines in FIGS. 1, 2, 5, and 7 show unclaimed portions of the lighting device. The oblique line shading in FIGS. 1 and 6 show a translucent or transparent material. The remaining line shading in FIGS. 1-7 show surface contours, not surface ornamentation.

(Continued)

1 Claim, 6 Drawing Sheets



(56)

References Cited

U.S. PATENT DOCUMENTS

| | | | | | |
|-------------|---------|-------------------|--------------|---------|-----------------------|
| 2,259,106 A | 10/1941 | Hager | D381,445 S | 7/1997 | Linnane |
| 2,339,356 A | 1/1944 | Sachs | D381,447 S | 7/1997 | Haberstich et al. |
| 2,490,830 A | 11/1945 | Norton | 5,642,932 A | 7/1997 | Matthews |
| 2,467,954 A | 4/1949 | Becker | D382,075 S | 8/1997 | Swyst |
| 2,564,612 A | 8/1951 | Schneider | 5,154,483 B1 | 8/1997 | Zeller |
| D166,073 S | 3/1952 | Dunkelberger | 5,369,556 B1 | 8/1997 | Zeller |
| 2,599,295 A | 6/1952 | Thomas | D383,231 S | 9/1997 | Kaiser |
| 2,648,762 A | 8/1953 | Dunkelberger | D384,446 S | 9/1997 | Kaiser |
| 2,931,005 A | 9/1954 | Saurwein et al. | D385,637 S | 10/1997 | Rombough |
| D185,496 S | 6/1959 | Hansen | D387,454 S | 12/1997 | Kaiser |
| 2,945,944 A | 7/1960 | Gillespie | 5,707,137 A | 1/1998 | Hon |
| 2,966,872 A | 1/1961 | Schmocker | D390,985 S | 2/1998 | Shiau |
| 3,041,717 A | 7/1962 | Brown | 5,716,121 A | 2/1998 | DuBois |
| 3,103,723 A | 9/1963 | Becker | 5,717,276 A | 2/1998 | Hsu |
| 3,111,277 A | 11/1963 | Grimsley | D392,758 S | 3/1998 | Cedarberg |
| 3,293,895 A | 12/1966 | Kohan | 5,722,764 A | 3/1998 | Jou |
| 3,737,649 A | 6/1973 | Nelson et al. | D394,721 S | 5/1998 | Santarsiero |
| D229,854 S | 1/1974 | Bajusz | D403,451 S | 12/1998 | Ting |
| D231,560 S | 4/1974 | Keller | D403,453 S | 12/1998 | Shiau |
| 3,829,676 A | 8/1974 | Nelson et al. | D404,157 S | 1/1999 | Carbone |
| 3,835,272 A | 9/1974 | Wisembaker | D407,508 S | 3/1999 | Chiu |
| 3,881,468 A | 5/1975 | Foltz | 5,975,712 A | 11/1999 | Shiao |
| 3,887,803 A | 6/1975 | Savage | D418,235 S | 12/1999 | Houplain |
| 3,890,498 A | 6/1975 | Toth | D418,240 S | 12/1999 | Sherman |
| D238,604 S | 1/1976 | Brindley | 6,000,809 A | 12/1999 | Belo |
| 4,092,580 A | 5/1978 | Prinsze | 6,004,004 A | 12/1999 | Altman et al. |
| 4,114,187 A | 9/1978 | Uke | 6,007,214 A | 12/1999 | Shiao |
| 4,171,534 A | 10/1979 | Strowe | D419,704 S | 1/2000 | Ting |
| 4,176,263 A | 11/1979 | Rousseau | D429,534 S | 8/2000 | Sengsouvanh et al. |
| 4,203,150 A | 5/1980 | Shamlian | D430,321 S | 8/2000 | Sharrah |
| 4,228,485 A | 10/1980 | Hubbard et al. | D435,679 S | 12/2000 | Naghi et al. |
| 4,286,311 A | 8/1981 | Maglica | 6,280,050 B1 | 8/2001 | Bird et al. |
| 4,290,095 A | 9/1981 | Schmidt | 6,296,371 B1 | 10/2001 | Shiau |
| 4,346,329 A | 8/1982 | Schmidt | D450,873 S | 11/2001 | Opolka |
| 4,357,648 A | 11/1982 | Nelson | D452,024 S | 12/2001 | Sharrah |
| 4,358,708 A | 11/1982 | Silva et al. | 6,347,878 B1 | 2/2002 | Shiao |
| D268,442 S | 3/1983 | Darmon | 6,402,340 B1 | 6/2002 | Sharrah et al. |
| 4,388,673 A | 6/1983 | Maglica | 6,471,064 B2 | 10/2002 | Gordon |
| 4,398,238 A | 8/1983 | Nelson | D465,865 S | 11/2002 | Hamilton et al. |
| 4,415,954 A | 11/1983 | Schaefer | 6,523,972 B2 | 2/2003 | Sharrah et al. |
| 4,417,299 A | 11/1983 | Rupp | RE38,014 E | 3/2003 | Bieberstein |
| 4,472,766 A | 9/1984 | Hung | D479,888 S | 9/2003 | Sharrah et al. |
| 4,487,983 A | 12/1984 | Miller et al. | D481,816 S | 11/2003 | Sharrah et al. |
| 4,495,550 A | 1/1985 | Visciano | D485,629 S | 1/2004 | Chan |
| 4,495,551 A | 1/1985 | Foltz | 6,680,844 B2 | 1/2004 | Kim |
| 4,531,178 A | 7/1985 | Uke | D486,930 S | 2/2004 | Stoddard et al. |
| 4,577,263 A | 3/1986 | Maglica | 6,718,136 B2 | 4/2004 | Bird et al. |
| D283,645 S | 4/1986 | Tanaka | D489,839 S | 5/2004 | Opolka |
| 4,656,565 A | 4/1987 | Maglica | D497,214 S | 10/2004 | Lo |
| 4,658,336 A | 4/1987 | Maglica | 6,811,280 B1 | 11/2004 | Sharrah et al. |
| 4,841,417 A | 6/1989 | Maglica et al. | D499,499 S | 12/2004 | Cetera |
| D302,325 S | 7/1989 | Charet et al. | D502,277 S | 2/2005 | Chen |
| 4,897,769 A | 1/1990 | Lang | 6,857,758 B1 | 2/2005 | Sharrah et al. |
| D306,492 S | 3/1990 | Sharrah | 6,874,908 B2 | 4/2005 | Sharrah et al. |
| 4,939,628 A | 7/1990 | Wang | 6,886,960 B2 | 5/2005 | Sharrah et al. |
| 5,008,784 A | 4/1991 | Wang | D507,839 S | 7/2005 | Man |
| 5,131,775 A | 7/1992 | Chen | D508,748 S | 8/2005 | Man |
| 5,197,796 A | 3/1993 | Moore | D518,212 S | 3/2006 | Shiu |
| D341,220 S | 11/1993 | Eagan | D518,906 S | 4/2006 | Stoddard et al. |
| 5,303,133 A | 4/1994 | Wagner | D521,164 S | 5/2006 | Sharrah |
| D346,871 S | 5/1994 | Zeller | D521,170 S | 5/2006 | Craft et al. |
| D349,354 S | 8/1994 | Yau | D521,666 S | 5/2006 | Chean |
| D364,935 S | 12/1995 | deBlois | D521,667 S | 5/2006 | Chean |
| 5,499,172 A | 3/1996 | Shiau | D527,476 S | 8/2006 | Craft |
| D374,734 S | 10/1996 | Esposito | 7,152,995 B2 | 12/2006 | Chapman |
| 5,571,279 A | 11/1996 | Chiang | D535,773 S | 1/2007 | Kessler |
| D377,989 S | 2/1997 | Marvin et al. | D536,116 S | 1/2007 | Sharrah |
| D378,858 S | 4/1997 | Kaiser | D544,622 S | 6/2007 | Cheng |
| 5,615,945 A | 4/1997 | Tseng | D548,861 S | 8/2007 | Chapman |
| D379,540 S | 5/1997 | Szymanski | D548,863 S | 8/2007 | Shiu |
| D379,541 S | 5/1997 | Kaiser | D549,369 S | 8/2007 | DeBrunner |
| D379,542 S | 5/1997 | Egashira | D553,776 S | 10/2007 | Liu |
| D380,061 S | 6/1997 | Swyst | D557,838 S | 12/2007 | Shiu |
| D380,844 S | 7/1997 | Kaiser | D557,839 S | 12/2007 | Shiu |
| D381,101 S | 7/1997 | Haberstich et al. | D557,840 S | 12/2007 | Shiu |
| | | | D564,116 S * | 3/2008 | Linardos D26/49 |
| | | | D565,770 S | 4/2008 | Shiu |
| | | | D566,309 S | 4/2008 | Kornfeld et al. |
| | | | D568,515 S | 5/2008 | Liu |

(56)

References Cited

U.S. PATENT DOCUMENTS

D572,170 S 7/2008 Nielsen
 D572,395 S 7/2008 Guelzow et al.
 D574,982 S 8/2008 Lau
 D578,236 S 10/2008 Dalton
 D586,025 S 2/2009 Bonis
 D586,489 S 2/2009 Shiu
 D590,881 S 4/2009 Slemp
 D603,541 S 11/2009 Shiu
 D603,988 S 11/2009 Sharrah
 D603,989 S 11/2009 Gardner et al.
 D622,428 S 8/2010 Crawford et al.
 D629,542 S 12/2010 Robinson
 D629,544 S 12/2010 Deguglimo et al.
 D641,901 S * 7/2011 Opolka D26/49
 D647,232 S 10/2011 Liu
 D647,654 S 10/2011 Li
 D649,275 S 11/2011 Crawford et al.
 D655,027 S 2/2012 Milz et al.
 D673,710 S 1/2013 Eichelberger
 D688,402 S 8/2013 Roshak et al.
 D698,961 S * 2/2014 Dalton D26/49
 D709,234 S * 7/2014 Inskeep D26/49
 D710,526 S * 8/2014 Lee D26/49
 D716,984 S * 11/2014 Inskeep D26/49
 D745,200 S * 12/2015 Inskeep D26/49
 D745,987 S * 12/2015 Nawaz D22/117
 9,341,325 B2 5/2016 Sharrah et al.
 D774,229 S * 12/2016 Prieto D26/49
 D785,842 S * 5/2017 Huang D26/49
 D786,466 S * 5/2017 Prieto D26/49
 D794,857 S 8/2017 Sharrah et al.
 D803,447 S * 11/2017 Green D26/49
 D809,169 S * 1/2018 Grandadam D26/38
 D810,337 S * 2/2018 Eichelberger D26/49
 D814,088 S * 3/2018 Cao D26/49
 D816,251 S * 4/2018 Johnson D26/49
 D818,622 S * 5/2018 Kunzendorf D26/49
 D828,940 S * 9/2018 Qiu D26/49
 D833,051 S * 11/2018 Qiu D26/49
 2009/0323344 A1 12/2009 Crawford et al.
 2016/0033090 A1 2/2016 Sharrah

FOREIGN PATENT DOCUMENTS

DE 839828 C 5/1952
 FR 2372382 A1 11/1976
 GB 411218 A 6/1934
 GB 549104 A 11/1942
 GB 812980 A 5/1959

OTHER PUBLICATIONS

Big Larry Pro Power Work Light [online]. [Retrieved on Aug. 22, 2017] Retrieved from the internet: <https://www.nebotools.com/prod_details.php?id=487&cid=&subid=&subsubcid=>.
 Lil Larry Power Pocket Light [online]. [Retrieved on Aug. 22, 2017] Retrieved from the internet: <https://www.nebotools.com/prod_details.php?id=403&cid=&subid=&subsubcid=>.
 Streamlight Stylus Pen Light [online]. [Retrieved on Aug. 22, 2017] Retrieved from the internet: <<http://www.streamlight.com/products/detail/index/stylus>>.
 Streamlight Stylus Pro 360 Pen Light [online]. [Retrieved on Aug. 22, 2017] Retrieved from the internet: <<http://www.streamlight.com/products/detail/index/stylus-pro-360>>.
 Streamlight Stylus Pro Pen Light [online]. [Retrieved on Aug. 22, 2017] Retrieved from the internet: <<http://www.streamlight.com/products/detail/index/stylus-pro>>.
 Streamlight Stylus Pro Reach Pen Light [online]. [Retrieved on Aug. 22, 2017] Retrieved from the internet: <<http://www.streamlight.com/products/detail/index/stylus-pro-reach>>.
 Streamlight Stylus Pro USB Pen Light [online]. [Retrieved on Aug. 22, 2017] Retrieved from the internet: <<http://www.streamlight.com/products/detail/index/stylus-pro-usb>>.
 Streamlight Stylus Reach Pen Light [online]. [Retrieved on Aug. 22, 2017] Retrieved from the internet: <<http://www.streamlight.com/products/detail/index/stylus-reach>>.
 Streamlight Protac HL-4 Flashlight [online]. [Retrieved on Oct. 18, 2017] Retrieved from the internet: <<http://www.streamlight.com/products/detail/index/protac-hl-4>>.
 Streamlight Protac HL-3 Flashlight [online]. [Retrieved on Oct. 27, 2017] Retrieved from the internet: <<http://www.streamlight.com/en/products/detail/index/protac-hl-3>>.

* cited by examiner

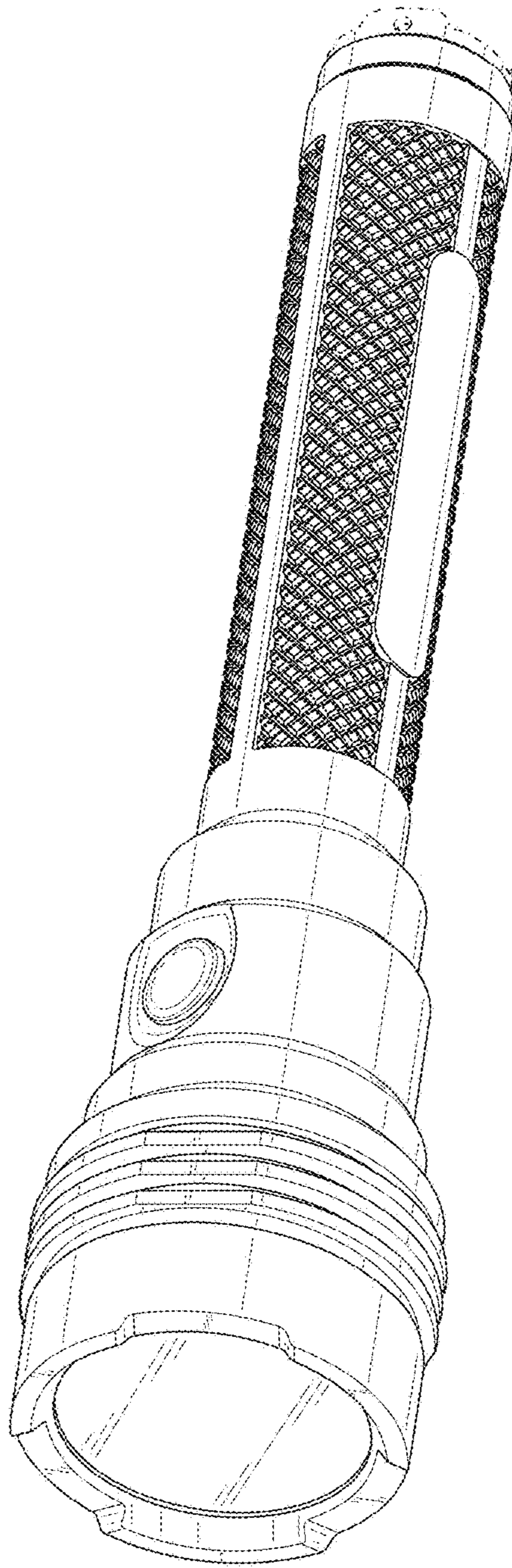


FIG. 1

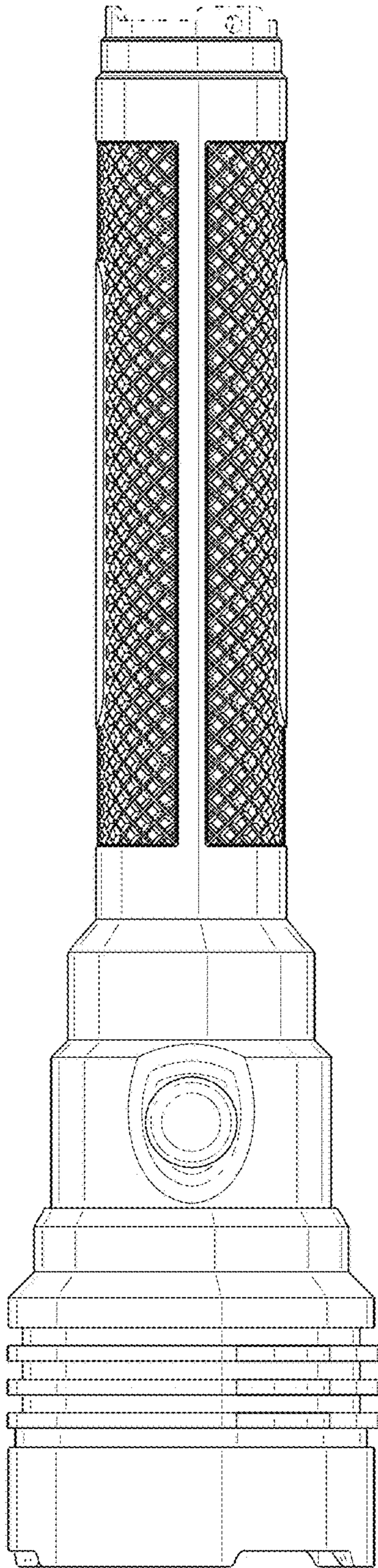


FIG. 2

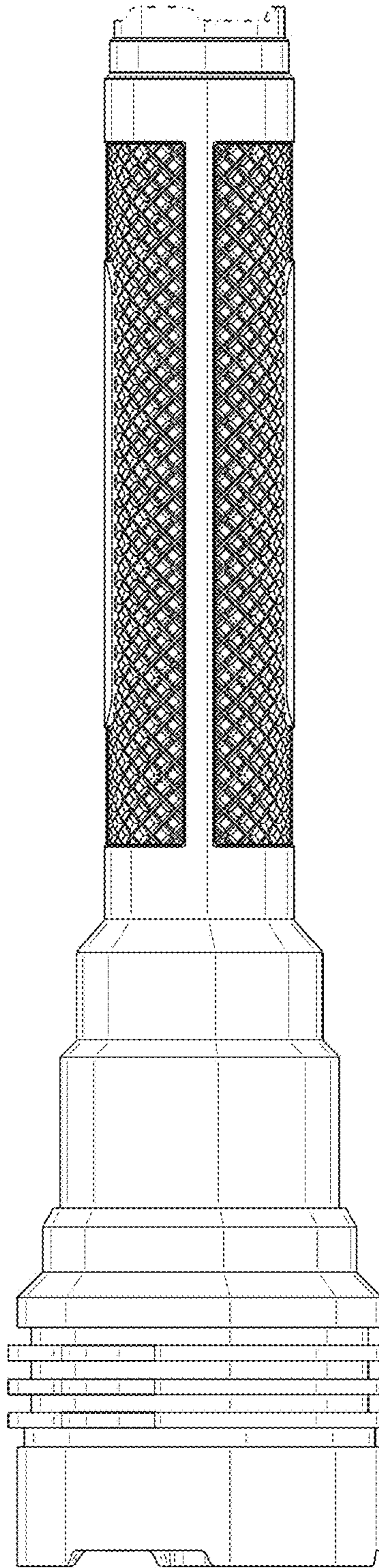


FIG. 3

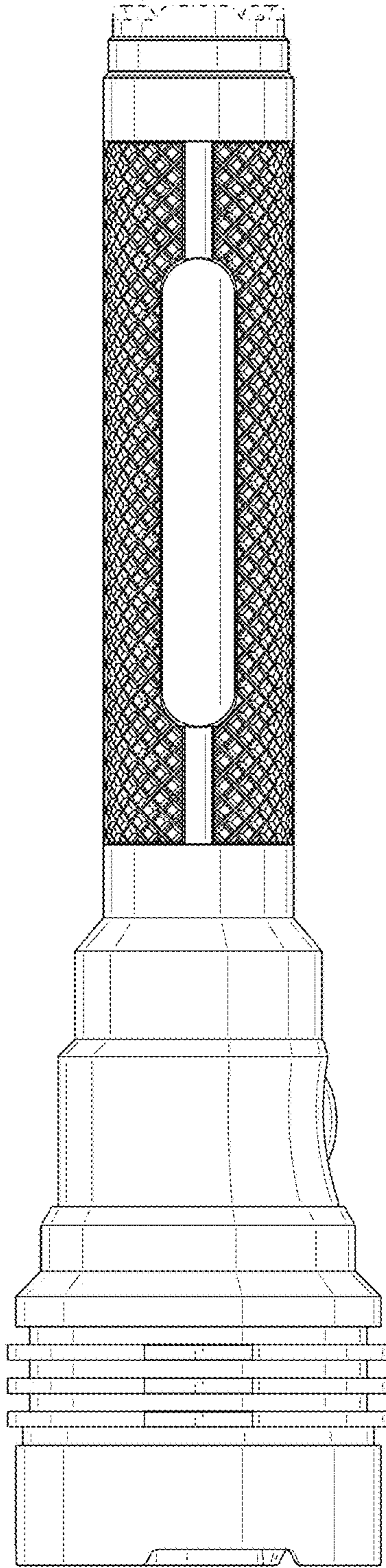


FIG. 4

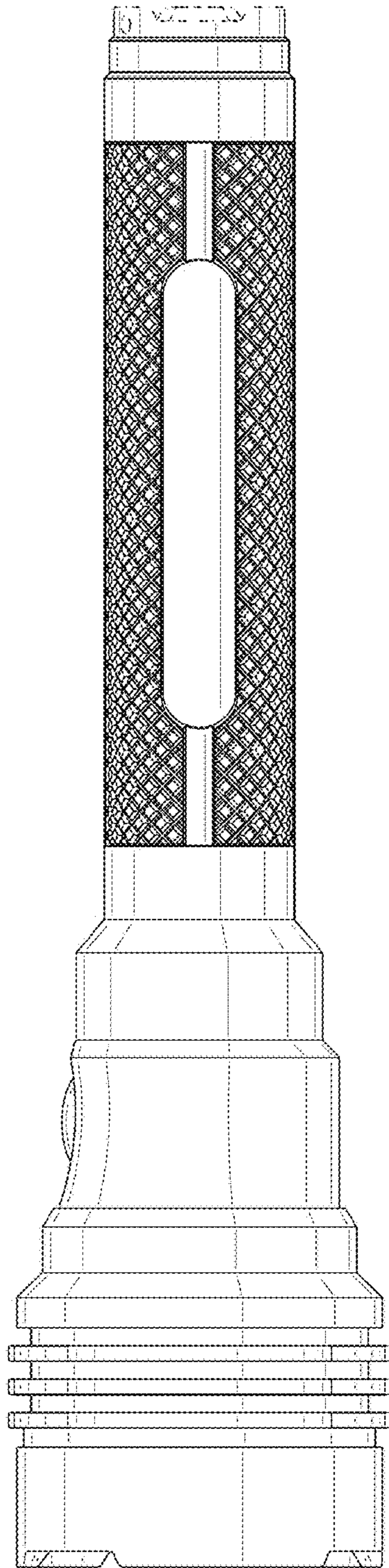


FIG. 5

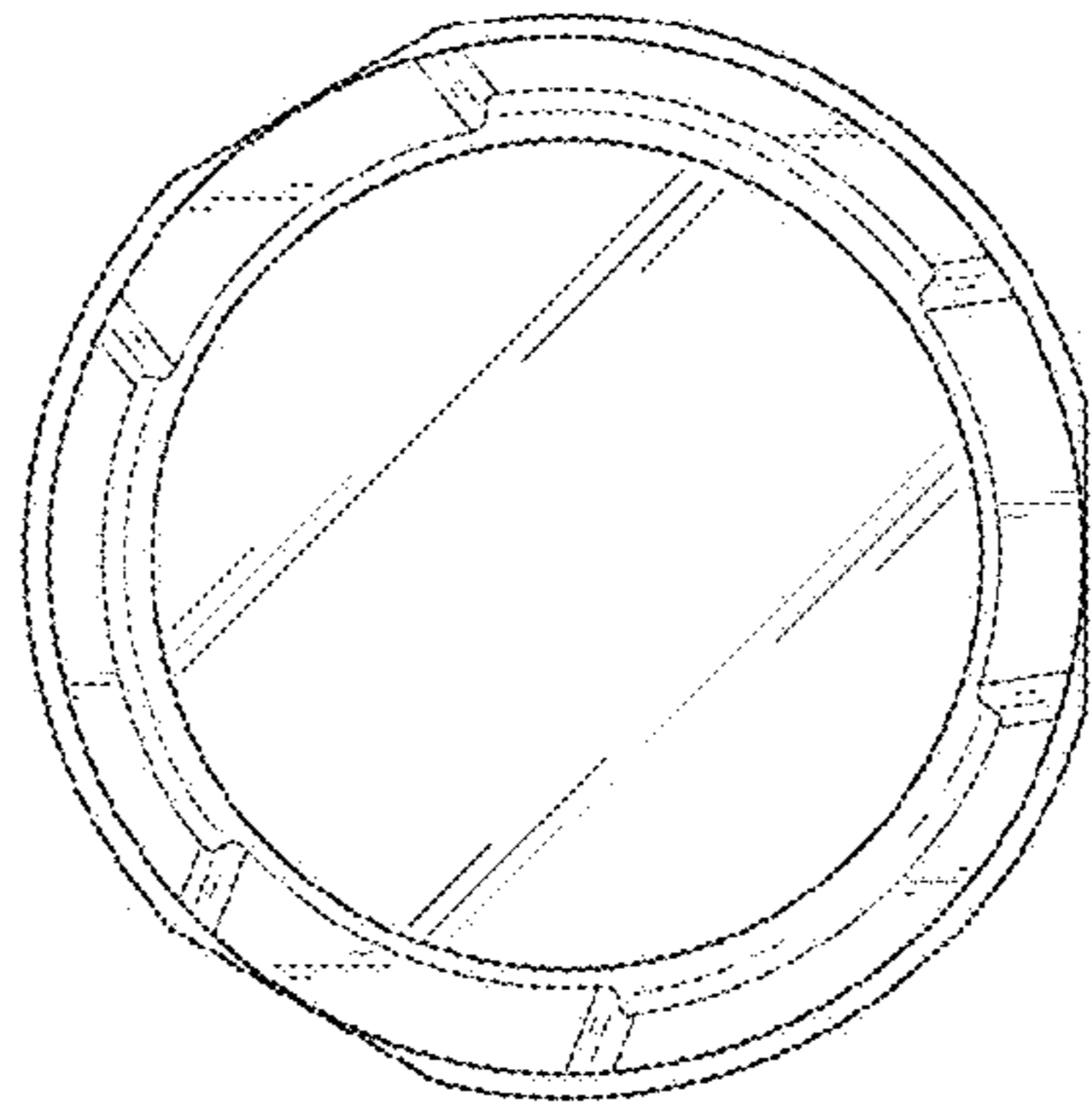


FIG. 6

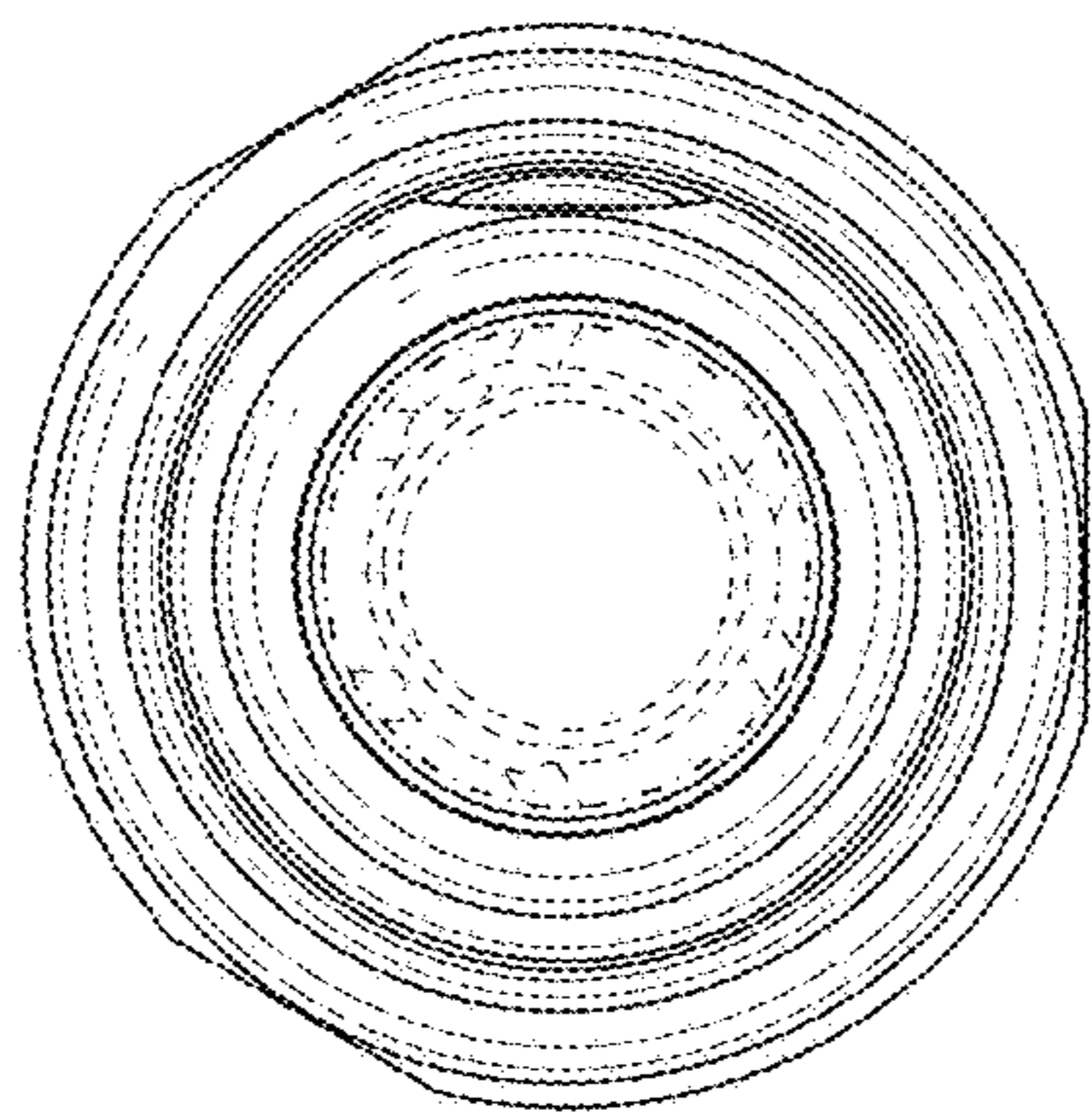


FIG. 7