



US00D846782S

(12) **United States Design Patent** (10) **Patent No.:** **US D846,782 S**  
**Huang** (45) **Date of Patent:** **\*\* Apr. 23, 2019**

- (54) **LIGHTING DEVICE**
- (71) Applicant: **Yu-Ting Huang**, Taichung (TW)
- (72) Inventor: **Yu-Ting Huang**, Taichung (TW)
- (\*\*) Term: **15 Years**
- (21) Appl. No.: **29/594,768**
- (22) Filed: **Feb. 22, 2017**
- (51) **LOC (11) Cl.** ..... **26-02**
- (52) **U.S. Cl.**  
USPC ..... **D26/49**
- (58) **Field of Classification Search**  
USPC ..... D26/38-51  
CPC ..... F21L 2003/00; F21L 4/00; F21L 4/005;  
F21L 4/02; F21L 4/025; F21L 4/027;  
F21L 4/04; F21L 4/08; F21L 2005/00;  
F21L 7/00; F21L 11/00; F21L 13/00;  
F21L 13/04; F21L 13/08; F21L 14/02;  
F21L 17/00; F21L 19/00; F21L 25/00  
See application file for complete search history.

D743,600 S *	11/2015	Robinson	.....	D26/49
D745,200 S *	12/2015	Inskeep	.....	D26/49
D748,834 S *	2/2016	Huang	.....	D26/38
D785,842 S *	5/2017	Huang	.....	D26/49
D794,237 S *	8/2017	Christensen	.....	D26/49
D794,857 S *	8/2017	Sharrah	.....	D26/49
D811,637 S *	2/2018	Feustel	.....	D26/49
D823,508 S *	7/2018	Windom	.....	D26/49
D828,940 S *	9/2018	Qiu	.....	D26/49

\* cited by examiner

*Primary Examiner* — Karen E Kearney  
*Assistant Examiner* — Carissa C Fitts  
(74) *Attorney, Agent, or Firm* — WPAT, PC

(57) **CLAIM**

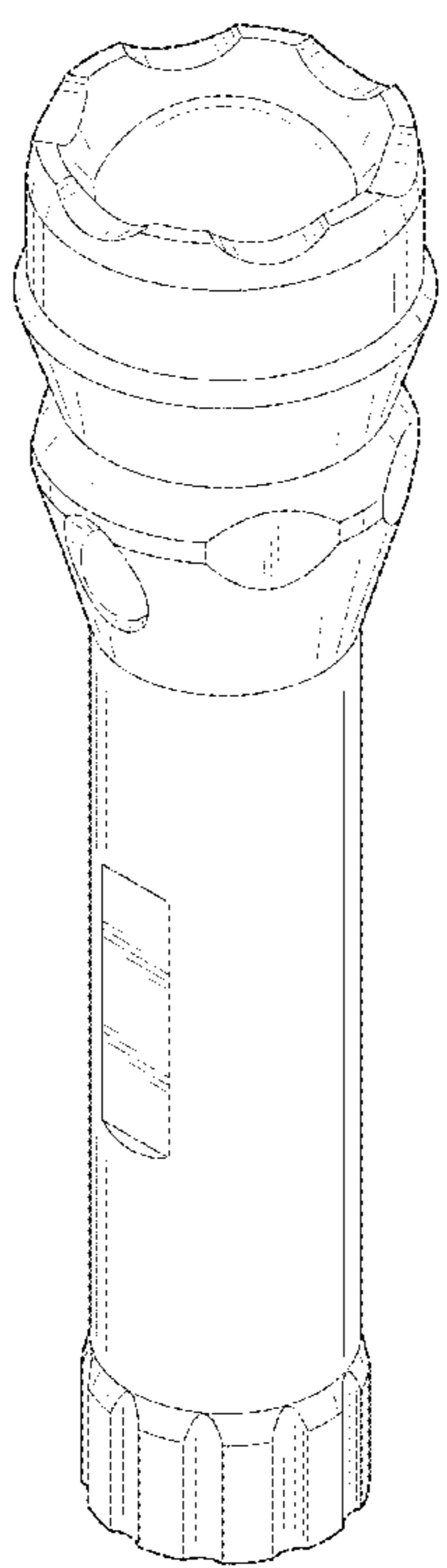
The ornamental design for a lighting device, as shown and described.

**DESCRIPTION**

FIG. 1 is a perspective view of a lighting device showing my new design;  
FIG. 2 is a front elevational view thereof;  
FIG. 3 is a rear elevational view thereof;  
FIG. 4 is a left side elevational view thereof;  
FIG. 5 is a right side elevational view thereof;  
FIG. 6 is a top plan view thereof;  
FIG. 7 is a bottom plan view thereof; and,  
FIG. 8 is another perspective view thereof.  
The broken lines show portions of the article which form no part of the claimed design.

- (56) **References Cited**  
U.S. PATENT DOCUMENTS  
D536,117 S \* 1/2007 Krieger ..... D26/49  
D590,972 S \* 4/2009 Palmer ..... D26/49  
D629,542 S \* 12/2010 Robinson ..... D26/49  
D639,476 S \* 6/2011 Robinson ..... D26/49  
D645,592 S \* 9/2011 Brands ..... D26/49  
D699,381 S \* 2/2014 Stewart ..... D26/49  
D732,721 S \* 6/2015 Popper ..... D26/49

**1 Claim, 7 Drawing Sheets**



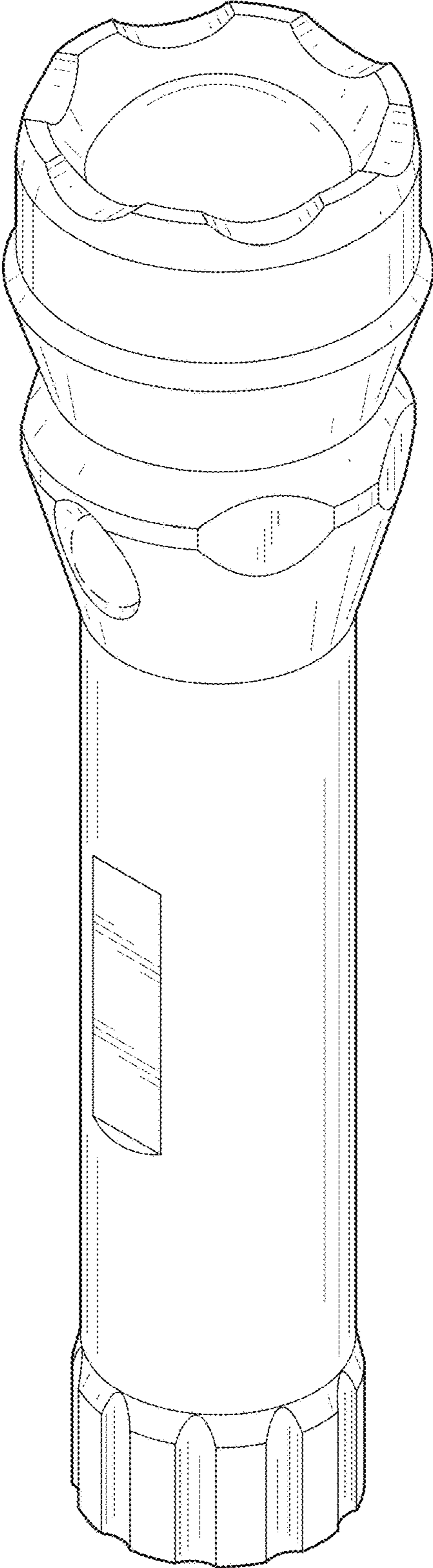


FIG. 1

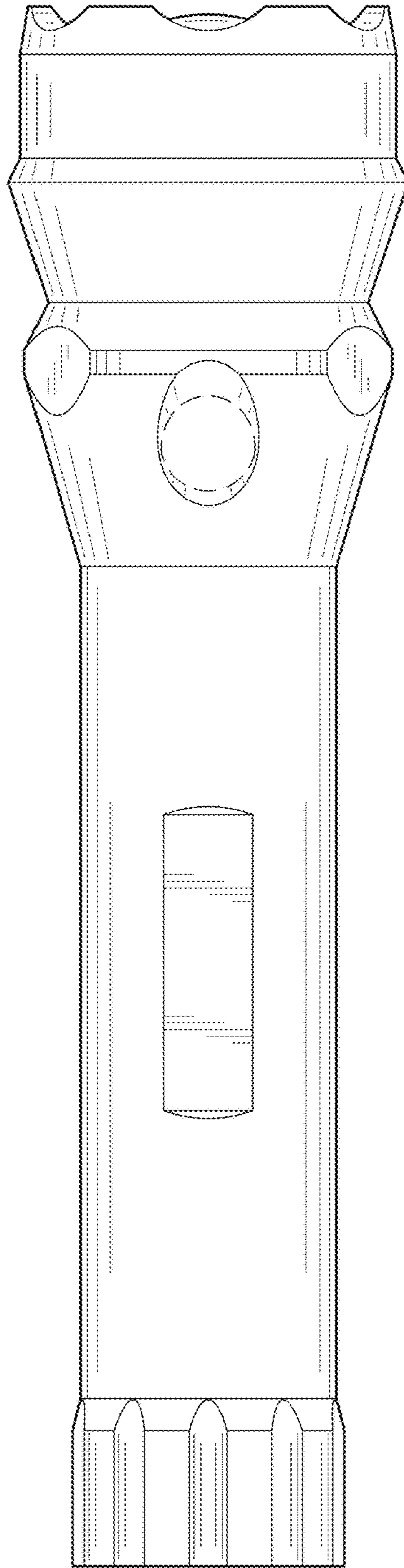


FIG. 2

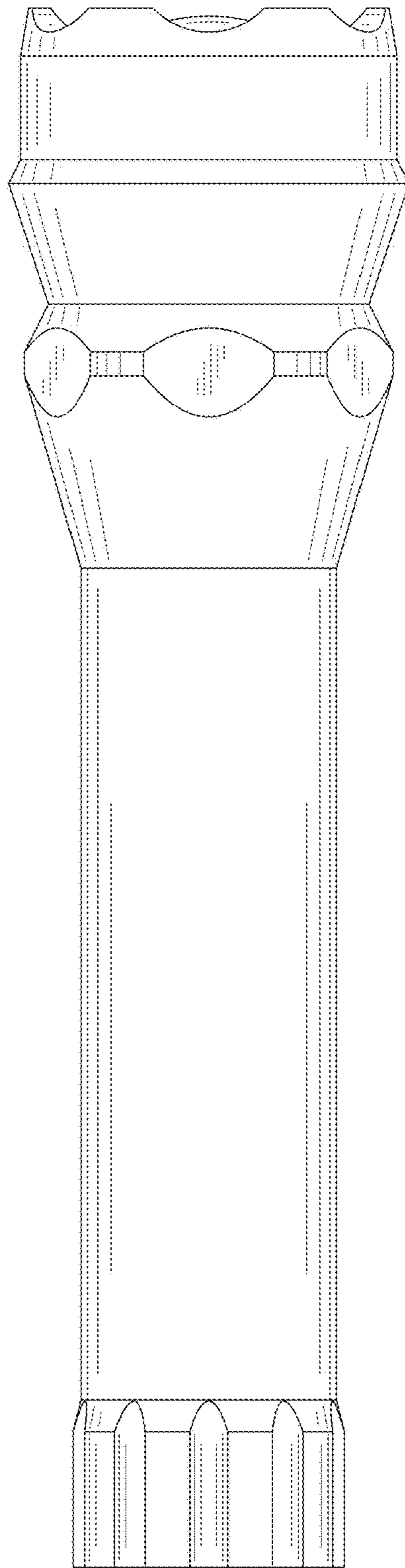


FIG. 3

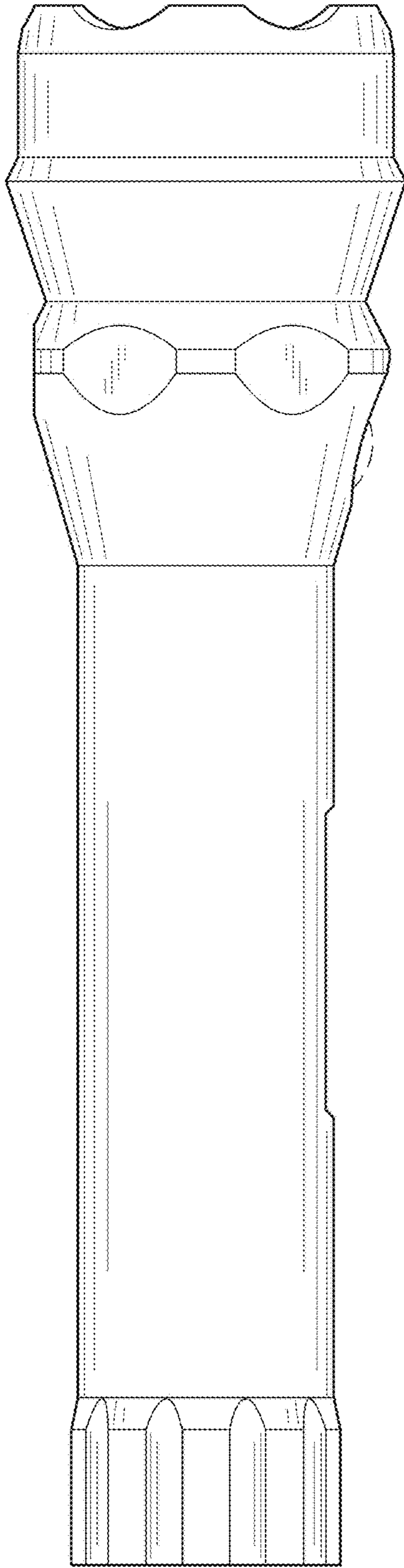


FIG. 4

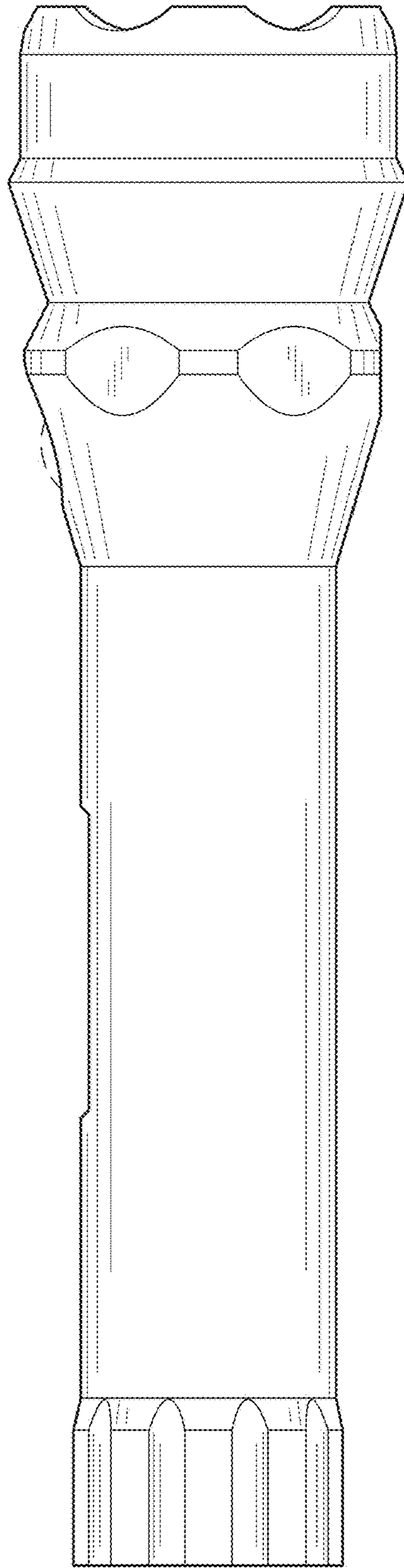


FIG. 5

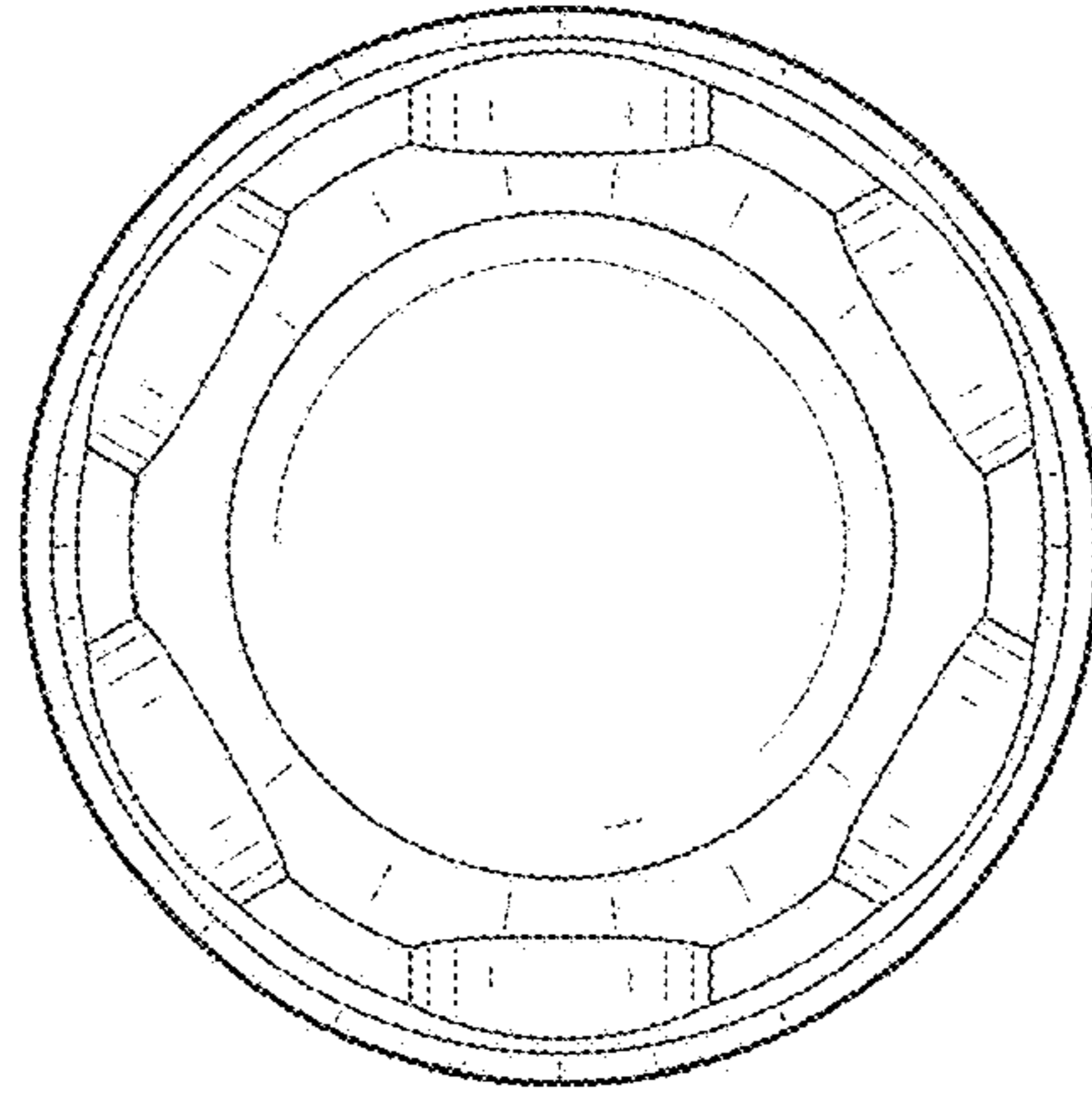


FIG. 6

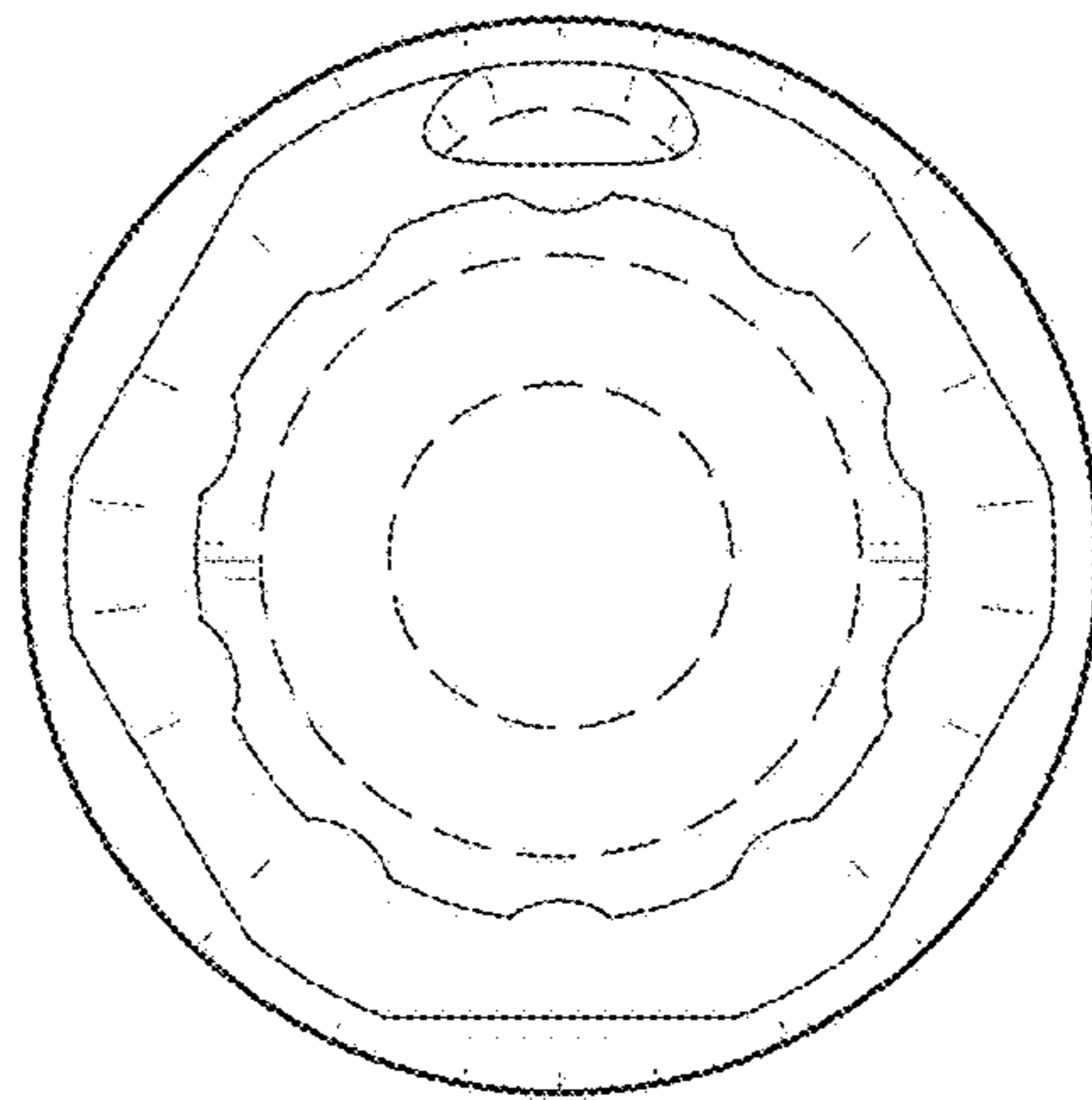


FIG. 7

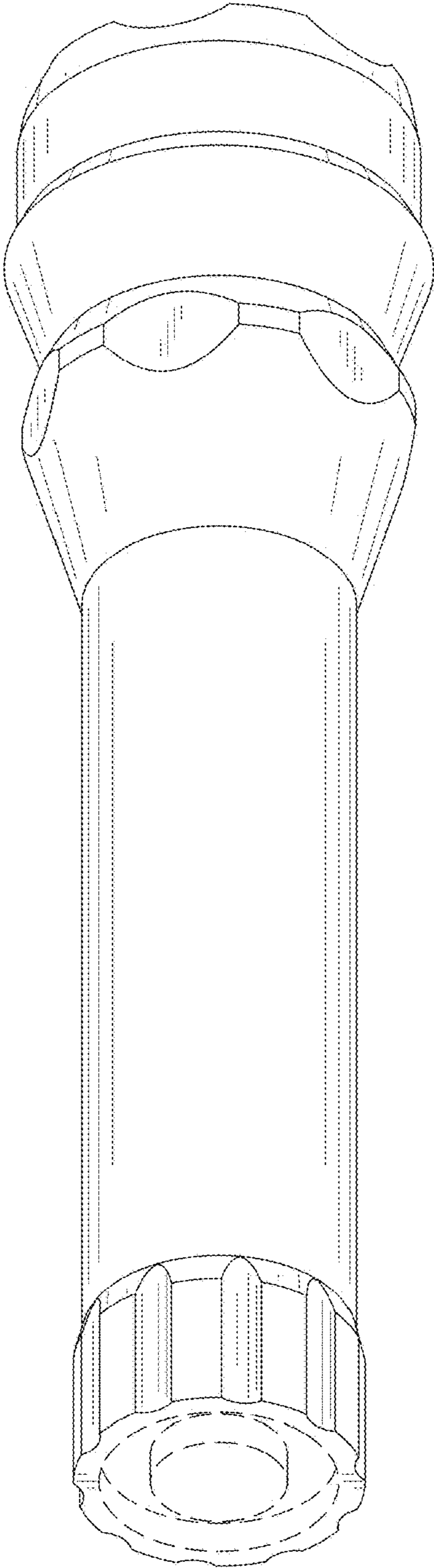


FIG. 8