



US00D846778S

(12) **United States Design Patent** (10) **Patent No.:** **US D846,778 S**  
**Hwang et al.** (45) **Date of Patent:** **\*\* Apr. 23, 2019**

(54) **HEAD LAMP FOR VEHICLE**  
(71) Applicants: **HYUNDAI MOTOR COMPANY**,  
Seoul (KR); **KIA MOTORS**  
**CORPORATION**, Seoul (KR)  
(72) Inventors: **Jae-Jin Hwang**, Bucheon-si (KR);  
**Seung-Wook Ryu**, Seoul (KR)  
(73) Assignees: **Hyundai Motor Company**, Seoul  
(KR); **Kia Motors Corporation**, Seoul  
(KR)  
(\*\*) Term: **15 Years**  
(21) Appl. No.: **35/504,136**  
(22) Filed: **Nov. 21, 2017**  
(80) **Hague Agreement Data**  
Int. Filing Date: **Nov. 21, 2017**  
Int. Reg. No.: **DM/098753**  
Int. Reg. Date: **Nov. 21, 2017**  
Int. Reg. Pub. Date: **Dec. 15, 2017**  
(51) **LOC (11) Cl.** ..... **26-06**  
(52) **U.S. Cl.**  
USPC ..... **D26/28**  
(58) **Field of Classification Search**  
USPC ... D26/3, 28, 76, 78, 79, 80, 81, 82, 83, 85,  
D26/86, 88, 90, 93, 111, 113, 118, 119,  
D26/120, 121, 122, 138, 139, 140, 141,  
D26/142, 152  
CPC ..... F21S 2/00; F21S 4/00; F21S 4/003; F21S  
4/005; F21S 4/006; F21S 4/007; F21S  
4/008; F21S 6/00; F21S 8/00; F21S  
8/024; F21S 8/026; F21S 8/031; F21S  
8/033; F21S 8/035-8/037; F21S 8/04;  
F21S 8/043; F21S 8/063  
See application file for complete search history.

(56) **References Cited**  
U.S. PATENT DOCUMENTS

D637,319	S	*	5/2011	Jeong	.....	D26/28
D709,219	S	*	7/2014	Kim	.....	D26/28
D739,578	S	*	9/2015	Han	.....	D26/28
D740,463	S	*	10/2015	Ko	.....	D26/28
D767,801	S	*	9/2016	Han	.....	D26/28
D771,293	S	*	11/2016	Ha	.....	D26/28
D779,090	S	*	2/2017	Giolito	.....	D26/28
D785,829	S	*	5/2017	Park	.....	D26/28
D785,830	S	*	5/2017	Park	.....	D26/28
D787,726	S	*	5/2017	Hong	.....	D26/28
D788,956	S	*	6/2017	Hong	.....	D26/28
D812,790	S	*	3/2018	Kanno	.....	D26/28
D814,080	S	*	3/2018	Ha	.....	D26/28
D818,164	S	*	5/2018	Ha	.....	D26/28
D829,947	S	*	10/2018	Jung	.....	D26/28

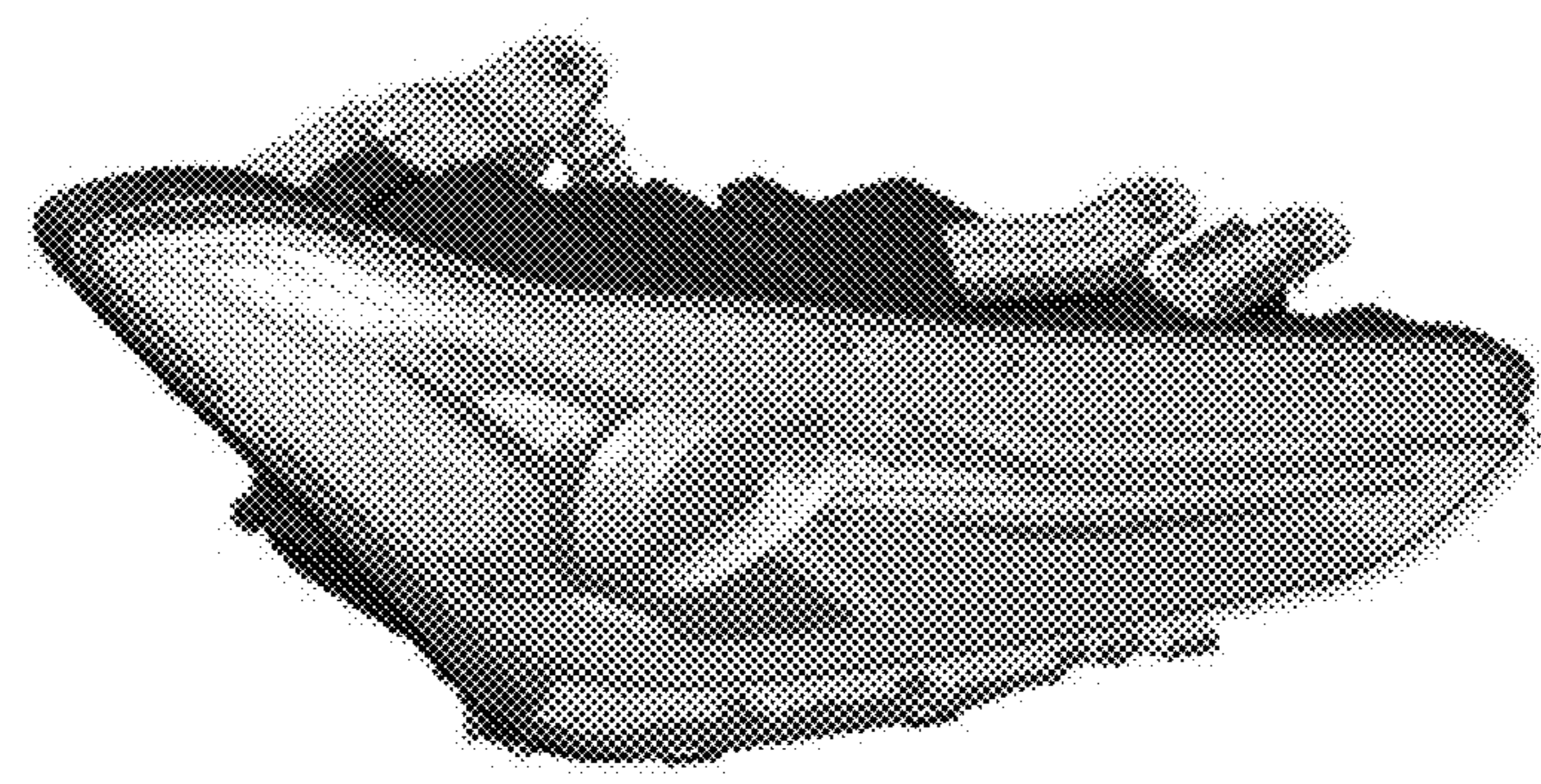
\* cited by examiner  
*Primary Examiner* — Natasha Vujcic  
(74) *Attorney, Agent, or Firm* — Mintz Levin Cohn Ferris  
Glovsky and Popeo, P.C.; Kongsik Kim

(57) **CLAIM**  
The ornamental design for a head lamp for vehicle, as shown  
and described.

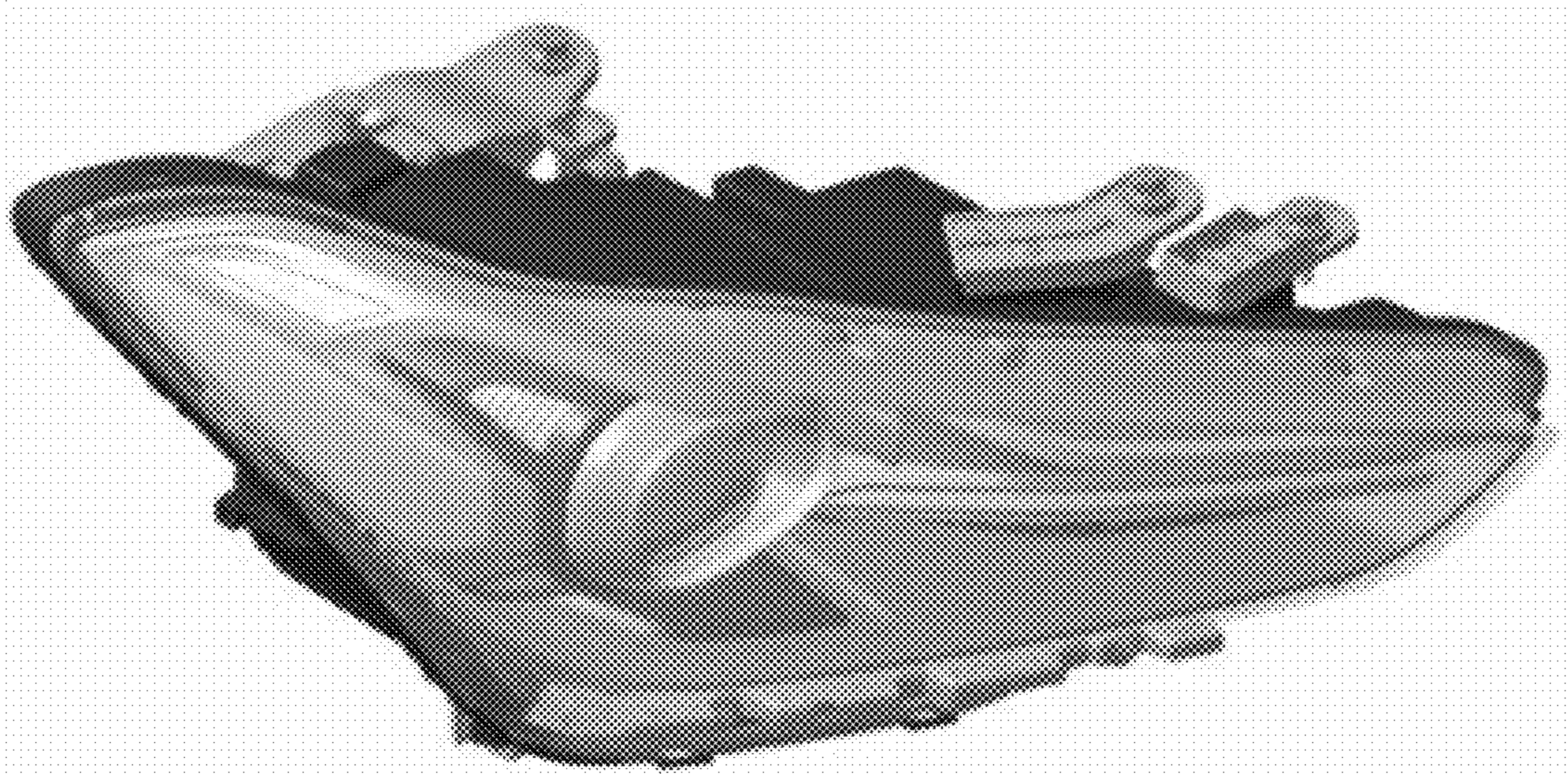
**DESCRIPTION**

1. Head lamp for vehicle  
1.1 : Perspective  
1.2 : Front  
1.3 : Back  
1.4 : Left  
1.5 : Right  
1.6 : Top  
1.7 : Bottom  
1.1 is a front and left side perspective view of a head lamp  
for vehicle showing our new design; 1.2 is a front elevation  
view thereof; 1.3 is a rear elevation view thereof; 1.4 is a left  
side elevation view thereof; 1.5 is a right side elevation view  
thereof; 1.6 is a top plan view thereof; and 1.7 is a bottom  
plan view thereof.

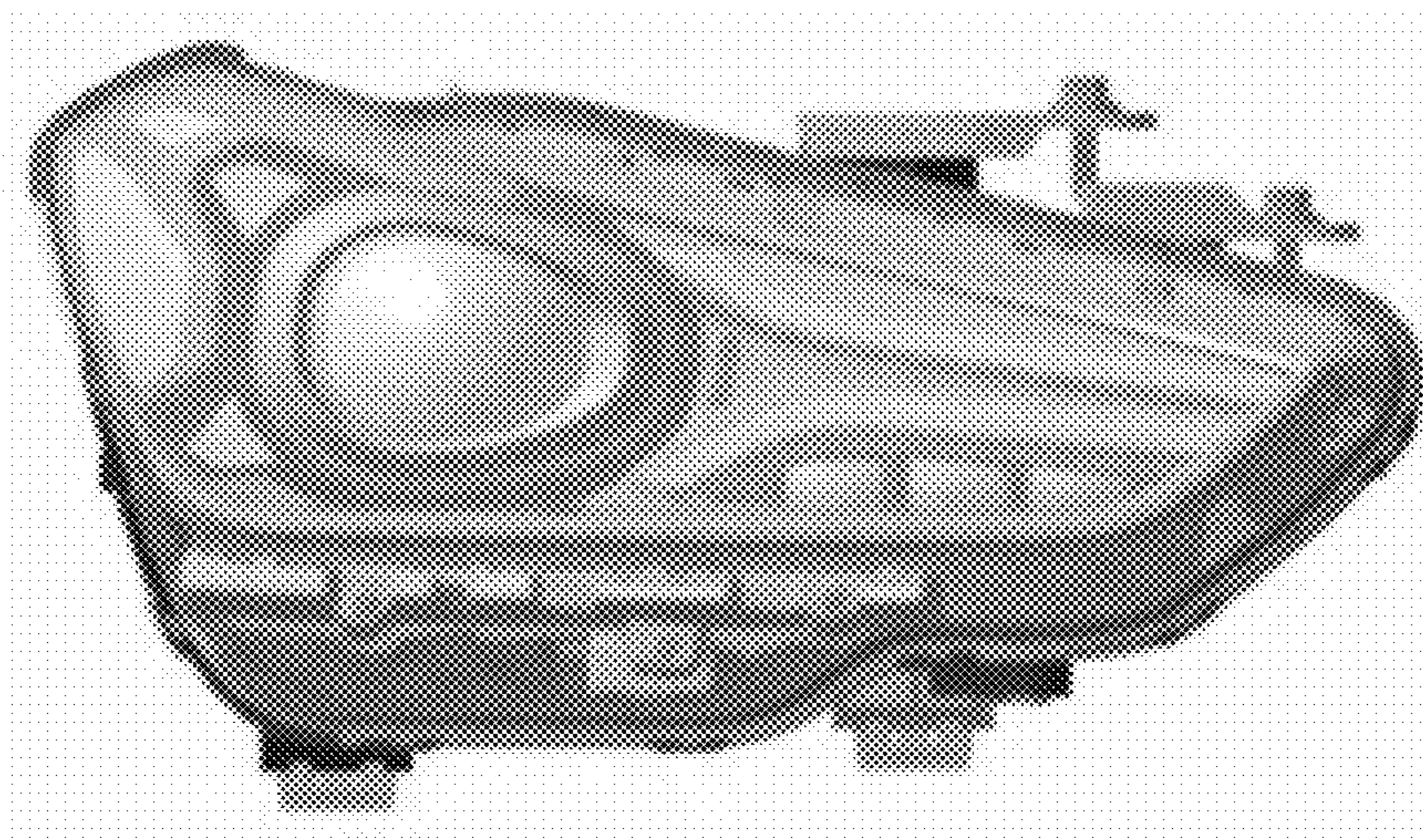
**1 Claim, 7 Drawing Sheets**



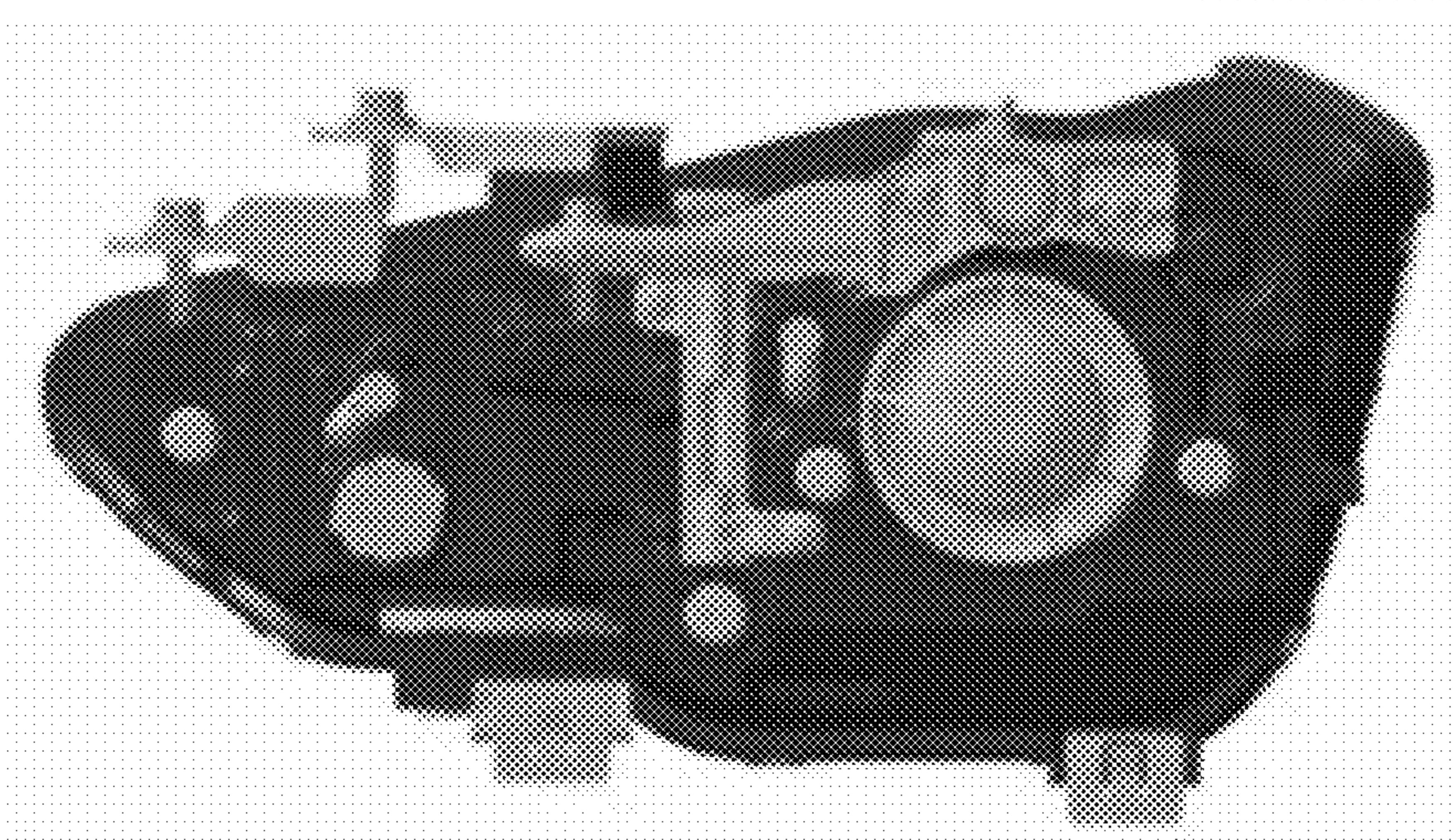
**1.1**



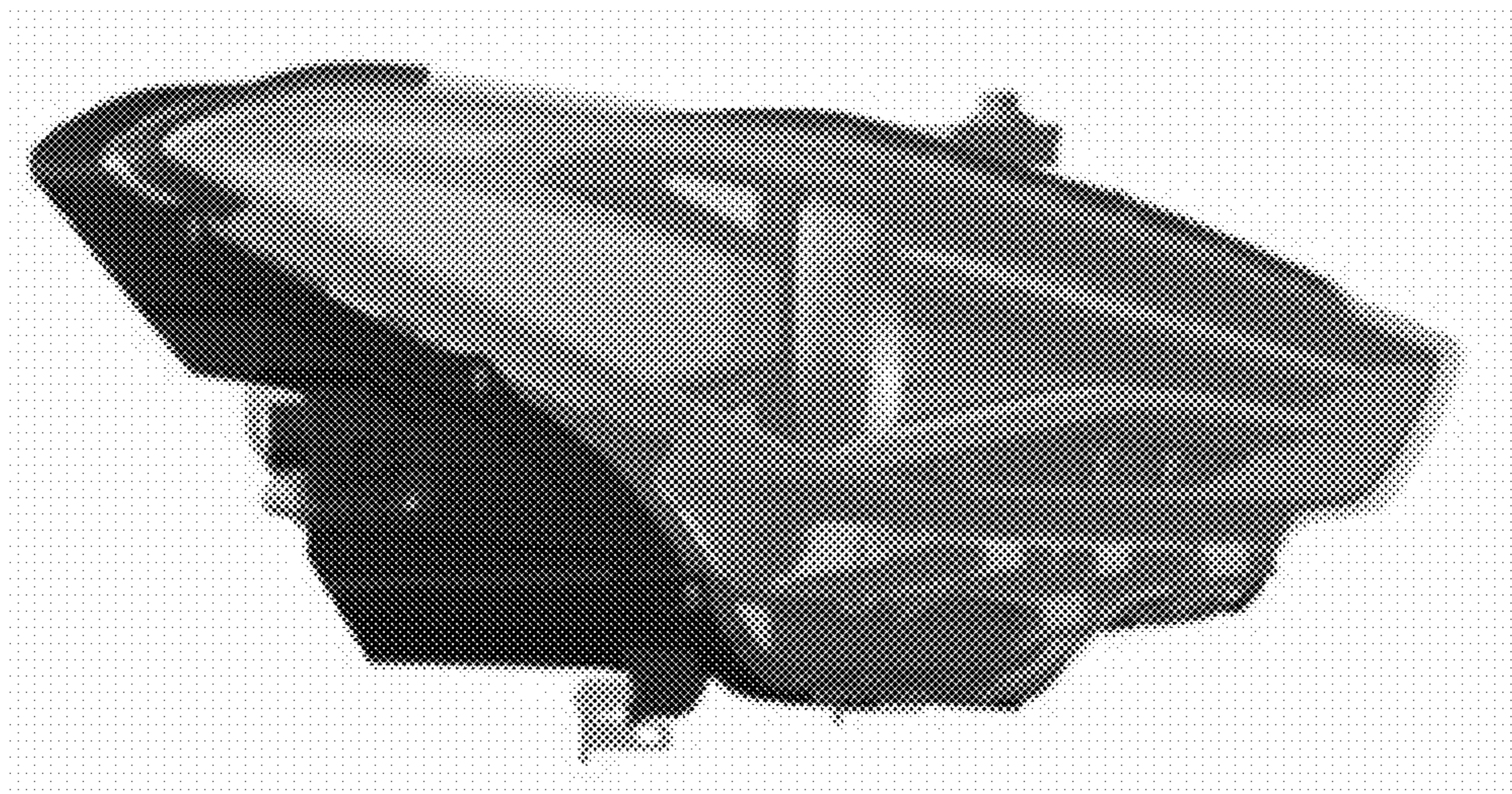
**1.2**



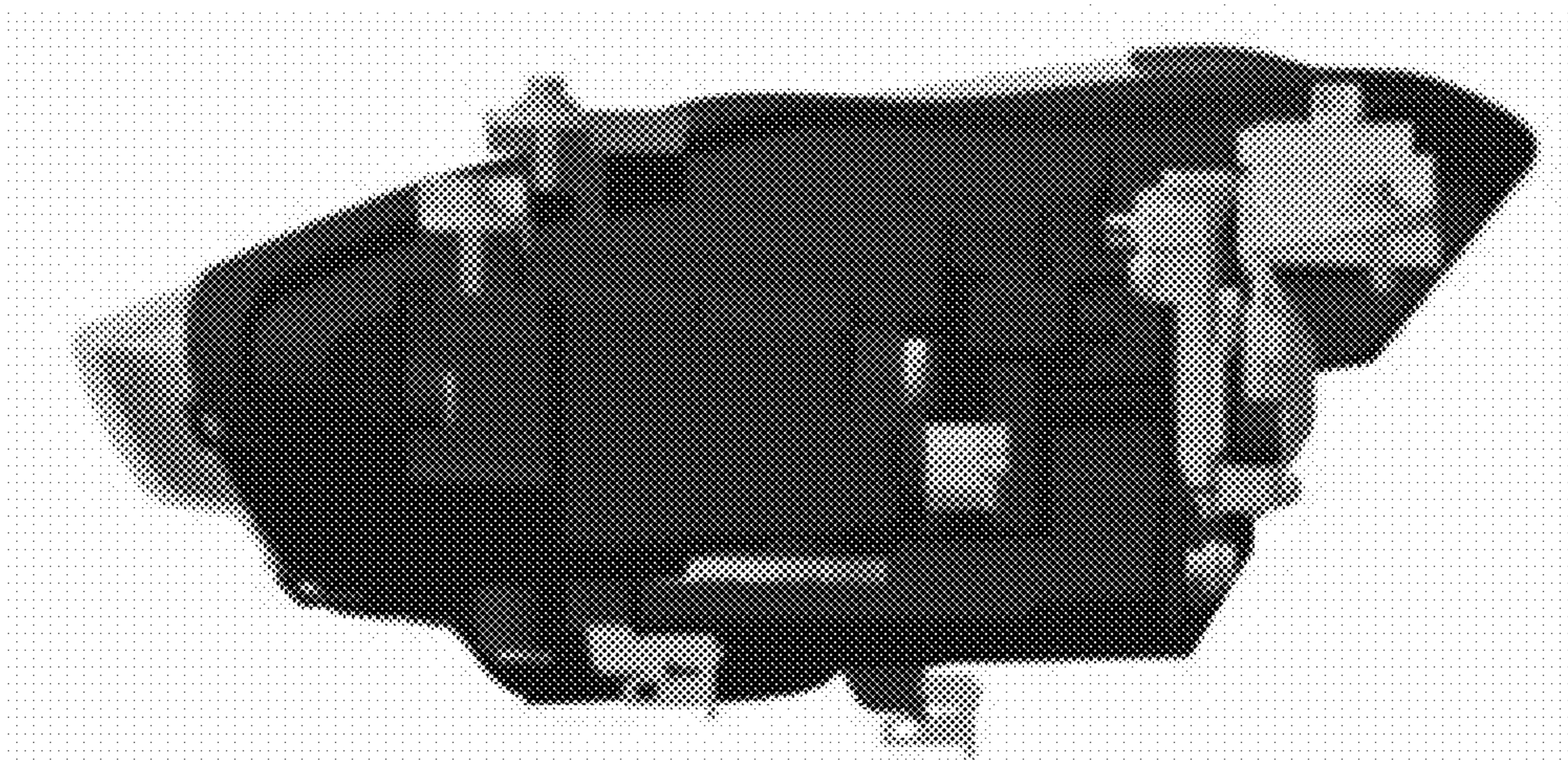
**1.3**



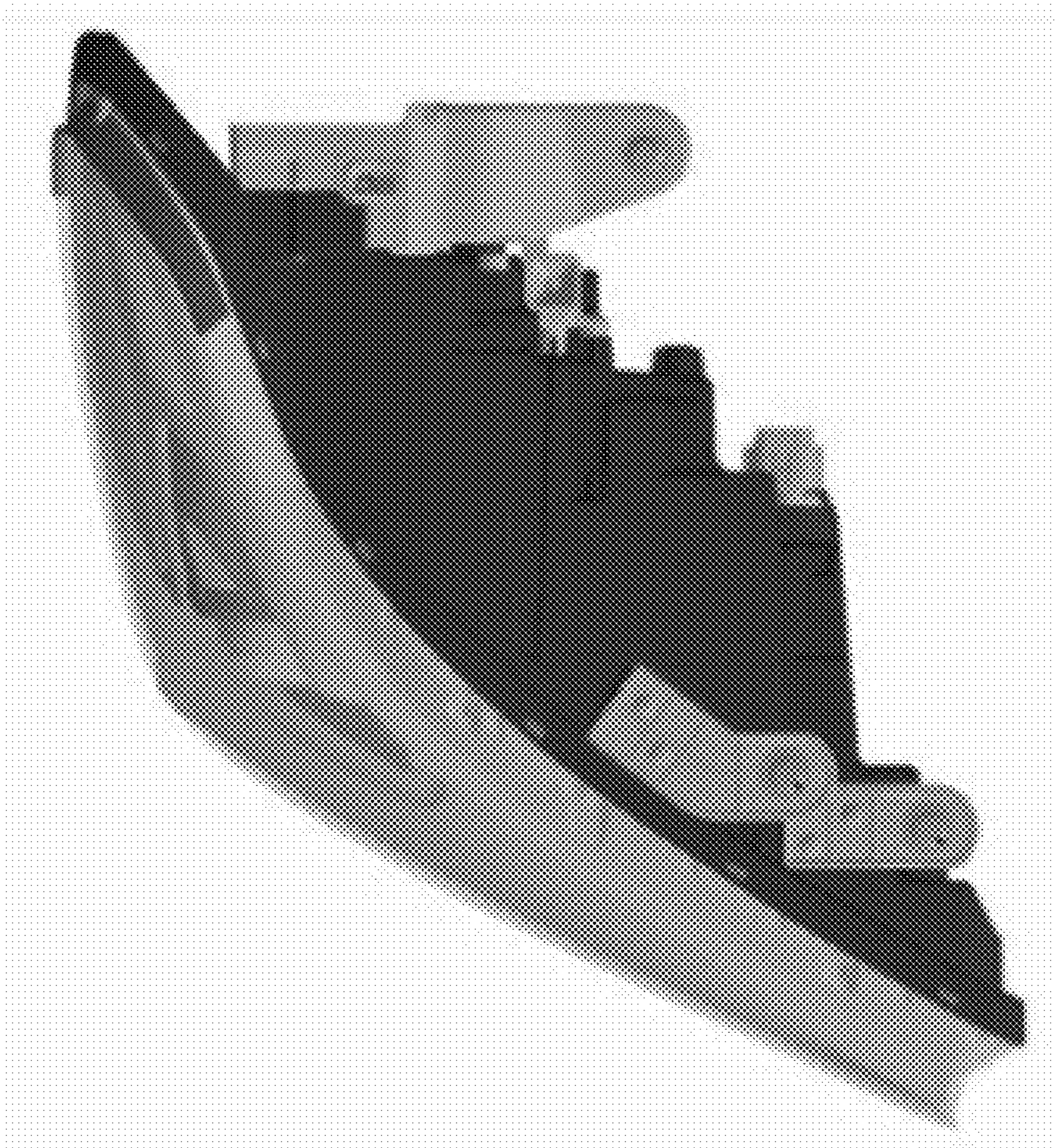
**1.4**



**1.5**



**1.6**



**1.7**

