



US00D846775S

(12) **United States Design Patent**
Yan

(10) **Patent No.:** **US D846,775 S**

(45) **Date of Patent:** **** Apr. 23, 2019**

(54) **LED HEADLAMP**

(71) Applicant: **GUANGZHOU ZHILAN
E-COMMERCE CO., LTD.,**
Guangzhou, Guangdong (CN)

(72) Inventor: **Riqin Yan,** Guangdong (CN)

(73) Assignee: **GUANGZHOU ZHILAN
E-COMMERCE CO., LTD.,**
Guangzhou, Guangdong Province (CN)

(**) Term: **15 Years**

(21) Appl. No.: **29/630,665**

(22) Filed: **Dec. 21, 2017**

(51) **LOC (11) Cl.** **26-06**

(52) **U.S. Cl.**
USPC **D26/28**

(58) **Field of Classification Search**
USPC D26/28-36
CPC B60Q 9/13; B60Q 9/135; B60Q 9/1375;
F21S 48/00; F21S 48/10; F21S 48/115;
F21S 48/225; F21S 48/1233; F21S
48/1266; F21S 48/1388; F21S 48/2268;
F21V 21/04

See application file for complete search history.

(56) **References Cited**

U.S. PATENT DOCUMENTS

D720,483 S	*	12/2014	Saddig	D26/28
D740,984 S	*	10/2015	Chen	D26/28
D769,487 S	*	10/2016	Ma	D26/28
D769,490 S	*	10/2016	Ma	D26/28
D777,961 S	*	1/2017	Wu	D26/28

* cited by examiner

Primary Examiner — Marcus A Jackson

(74) *Attorney, Agent, or Firm* — Cheng-Ju Chiang

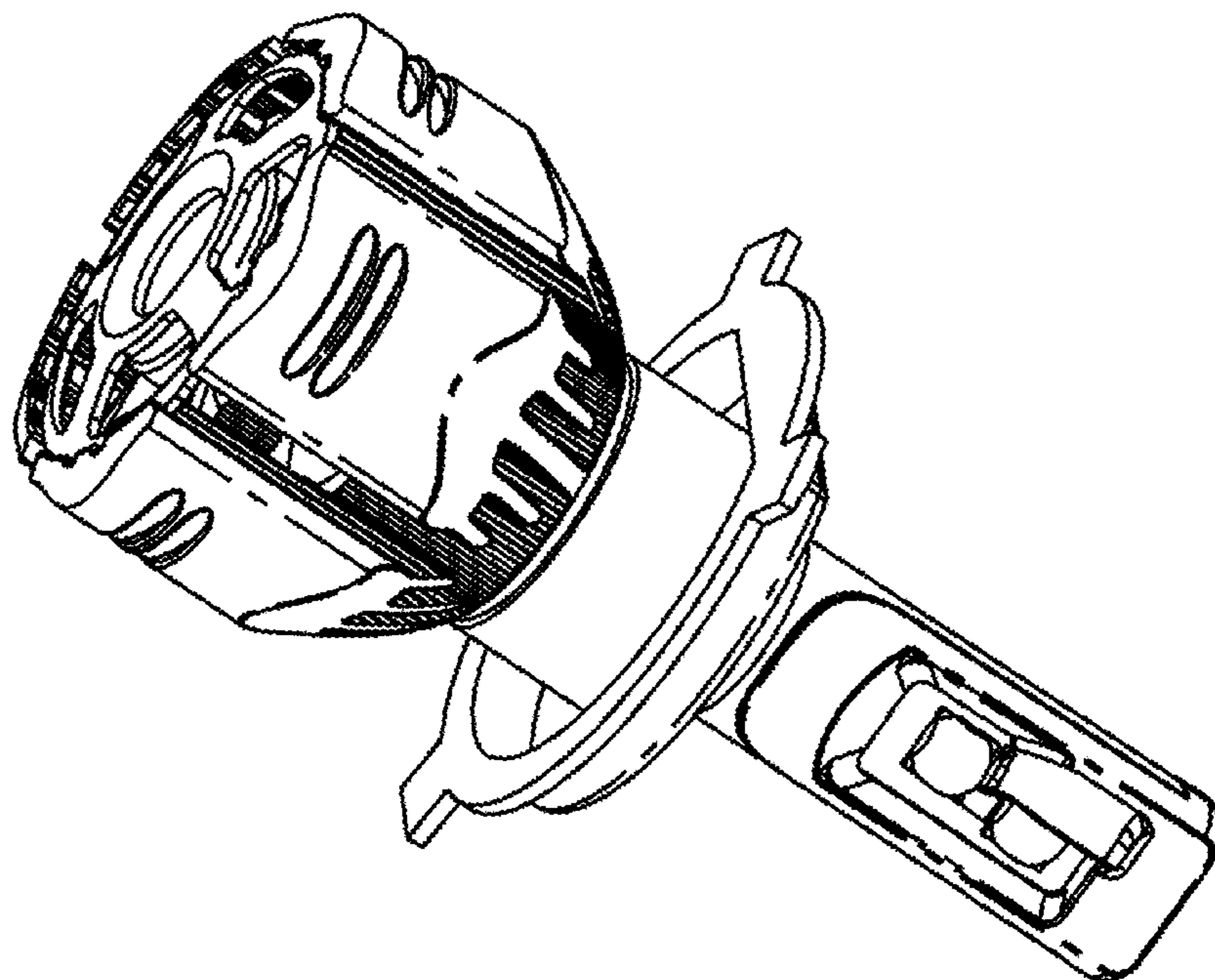
(57) **CLAIM**

The ornamental design for a LED headlamp, as shown and described.

DESCRIPTION

FIG. 1 is a front elevational view of a LED headlamp showing my new design;
FIG. 2 is a rear elevational view thereof;
FIG. 3 is a left side view thereof;
FIG. 4 is a right side view thereof;
FIG. 5 is a top plan view thereof;
FIG. 6 is a bottom plan view thereof;
FIG. 7 is a first perspective view thereof;
FIG. 8 is a second perspective view thereof; and,
FIG. 9 is a third perspective view thereof.

1 Claim, 9 Drawing Sheets



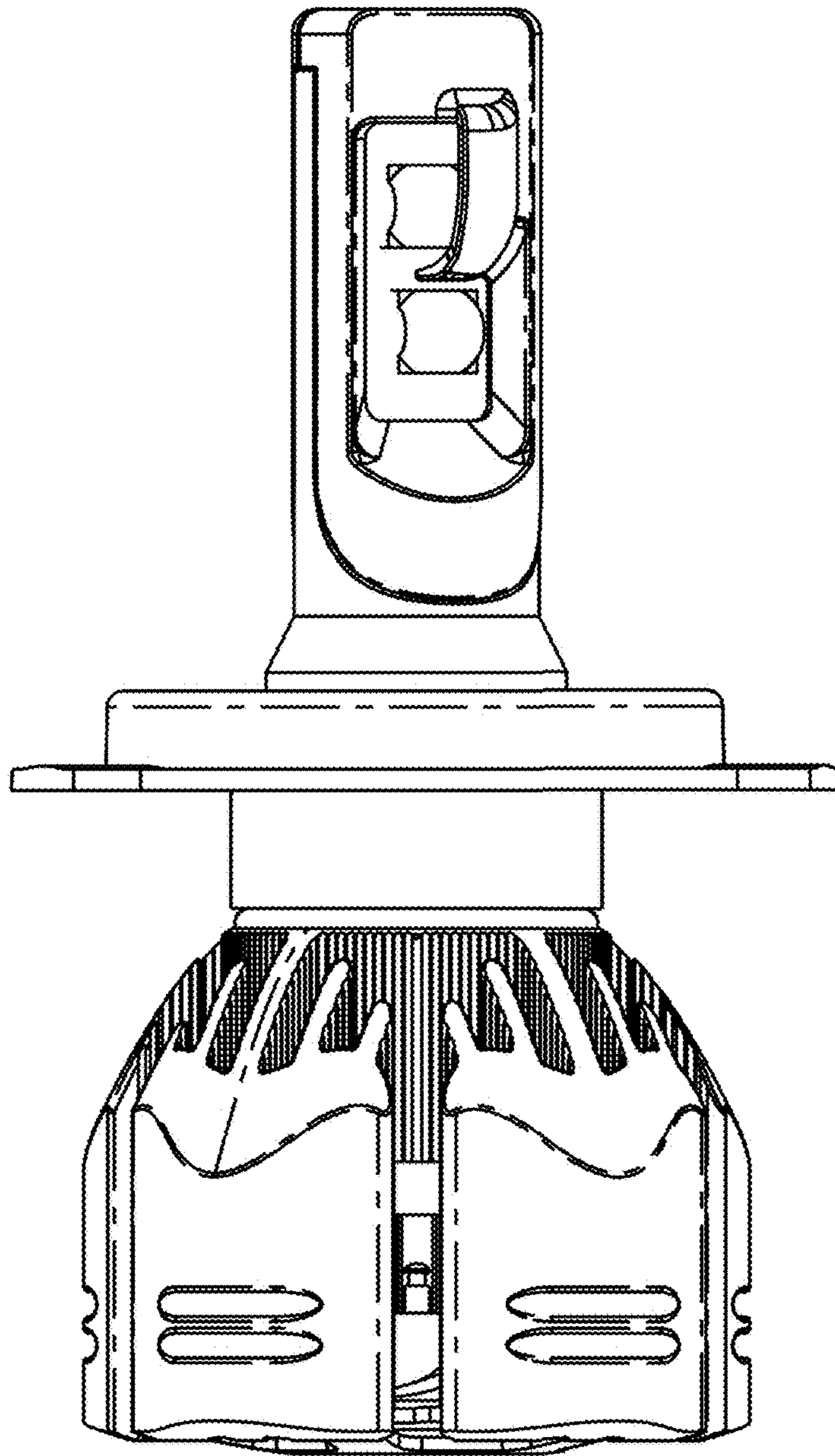


Fig. 1

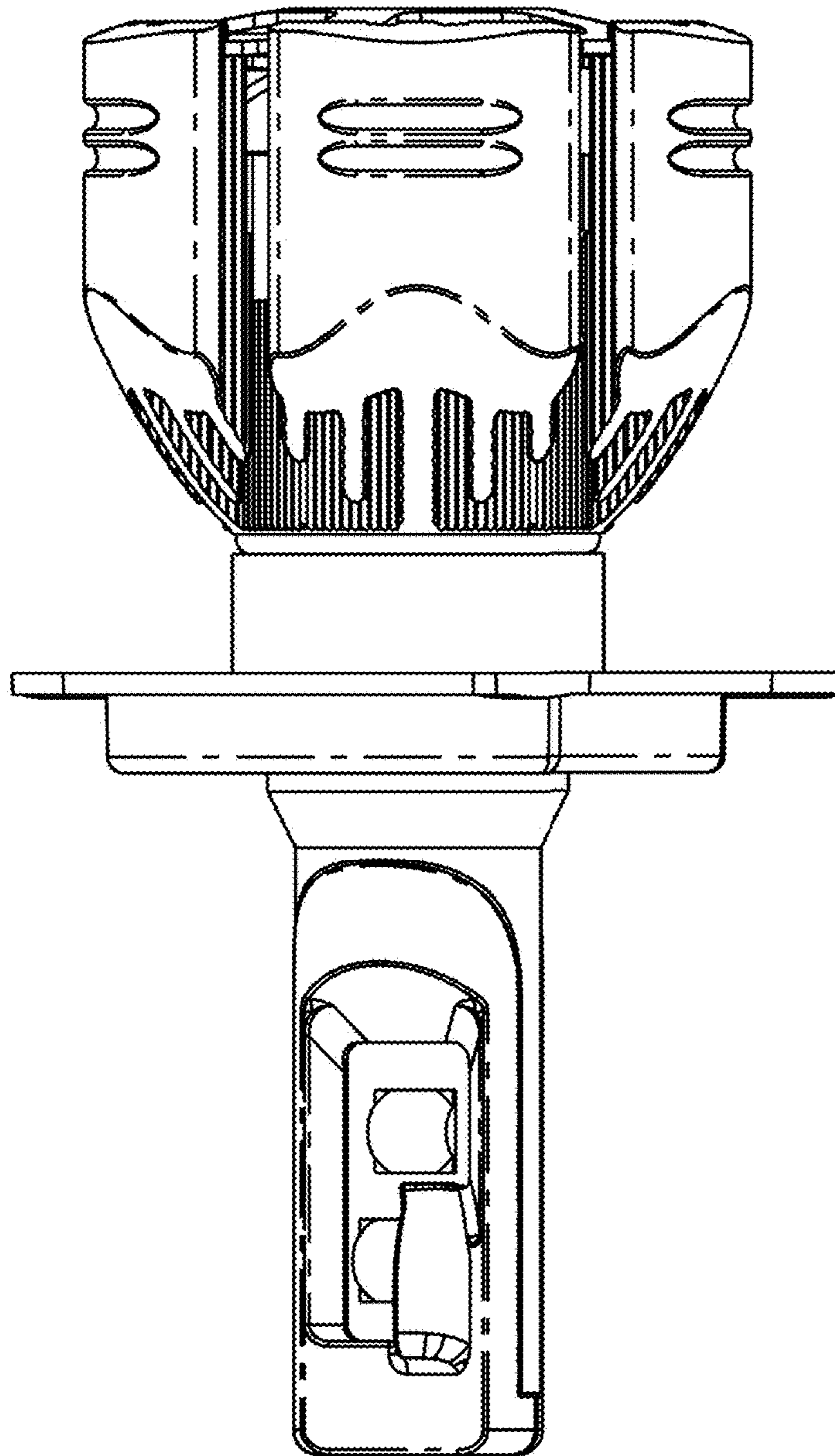


Fig. 2

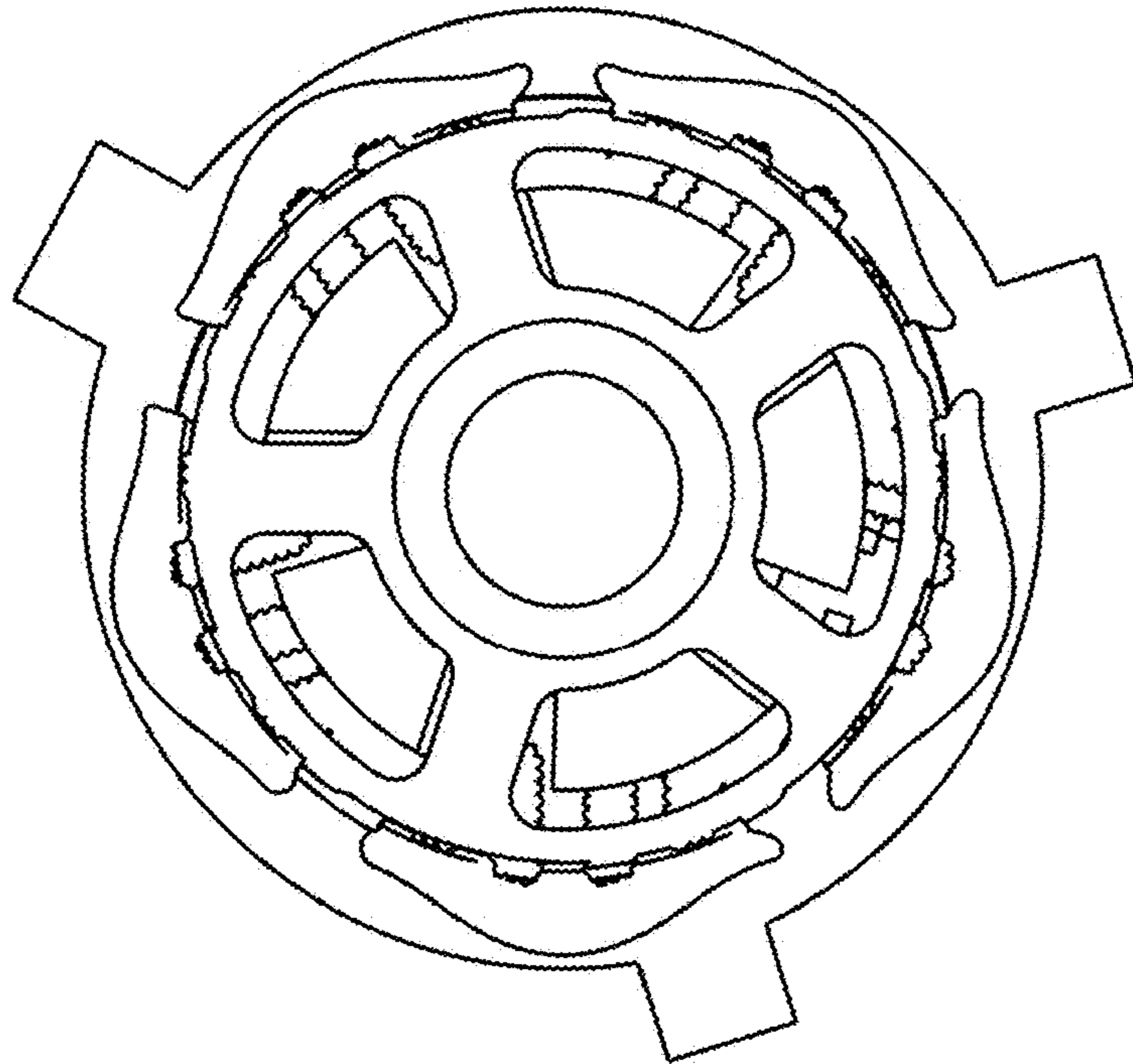


Fig. 3

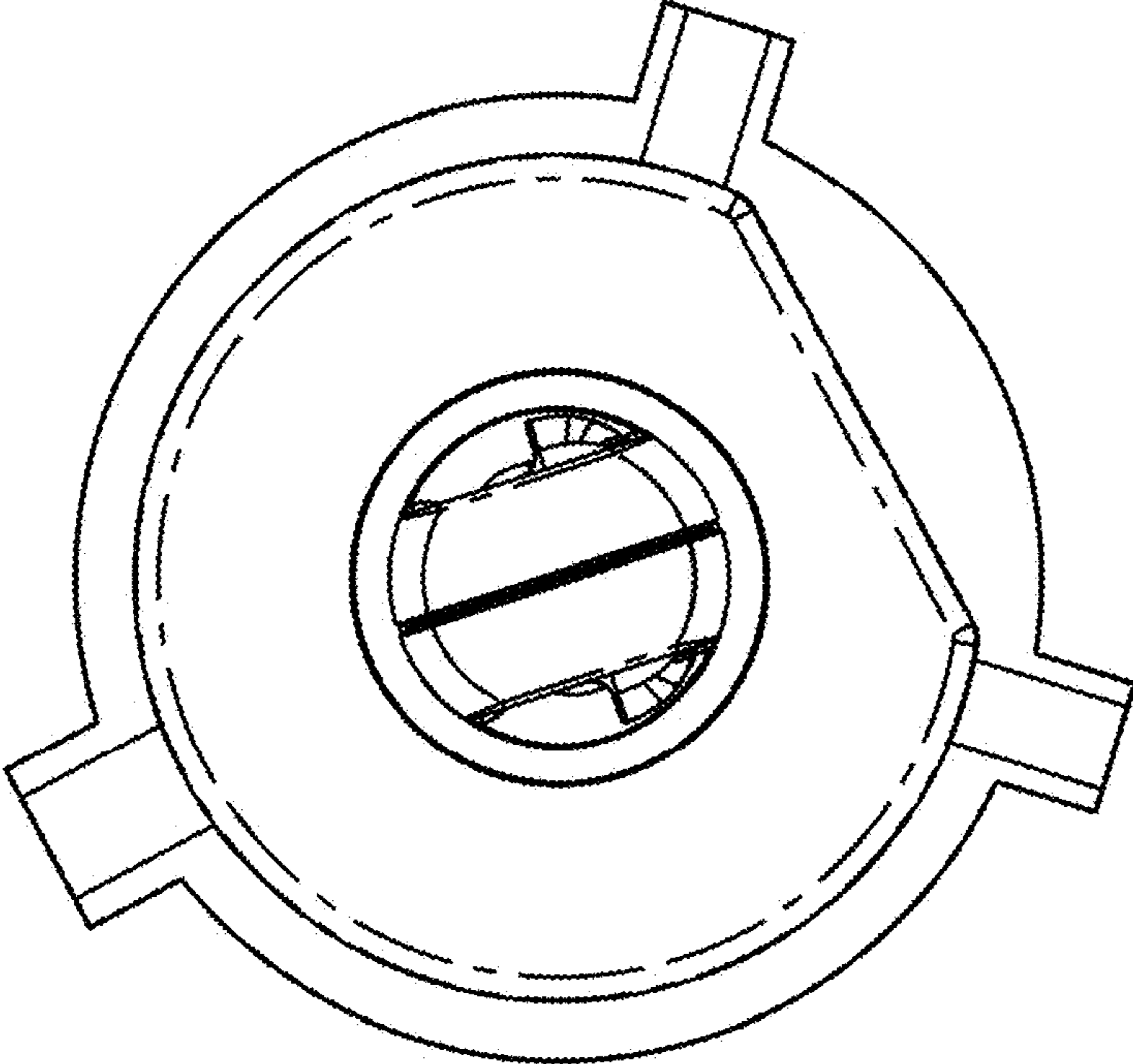


Fig. 4

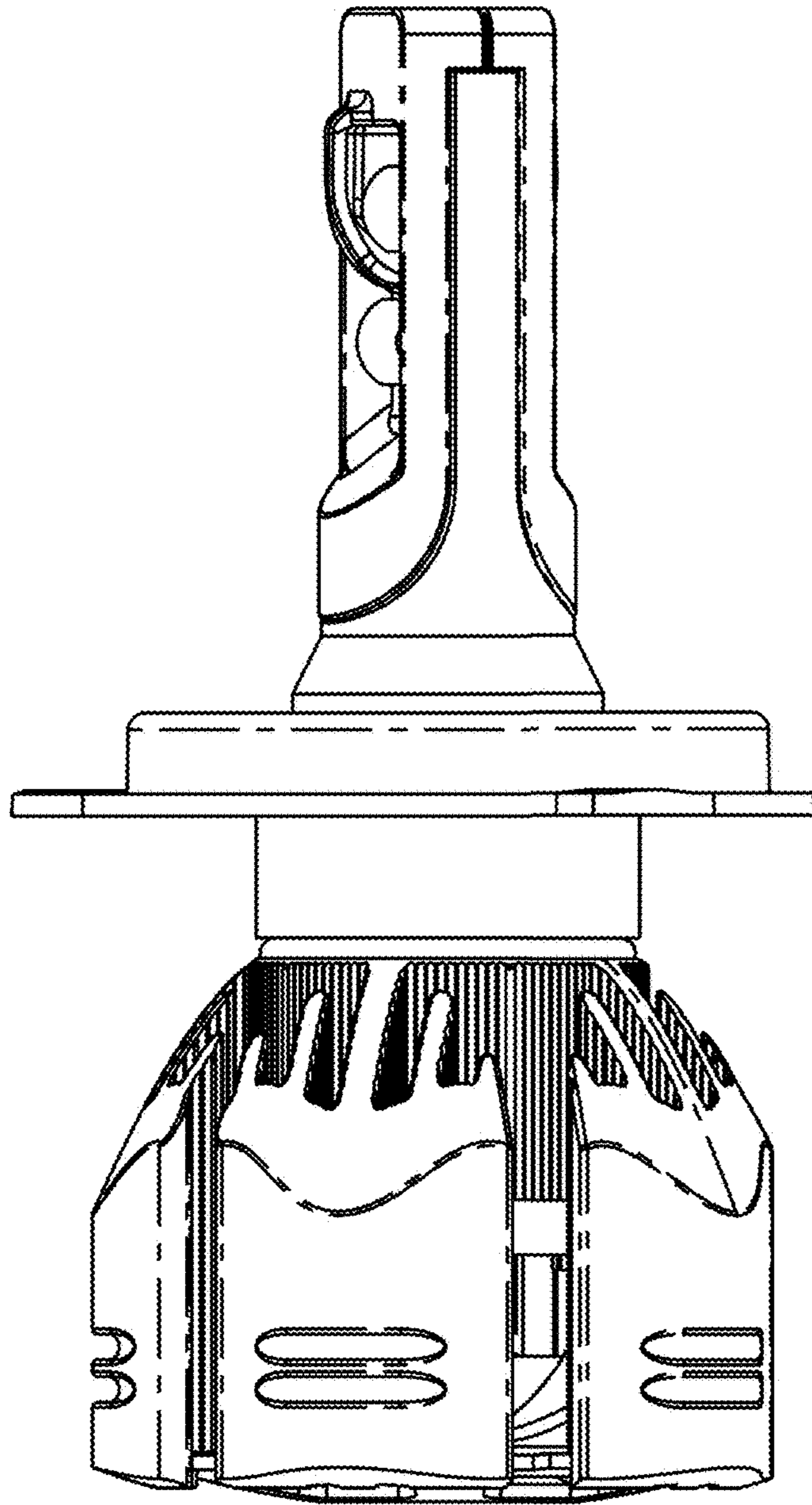


Fig. 5

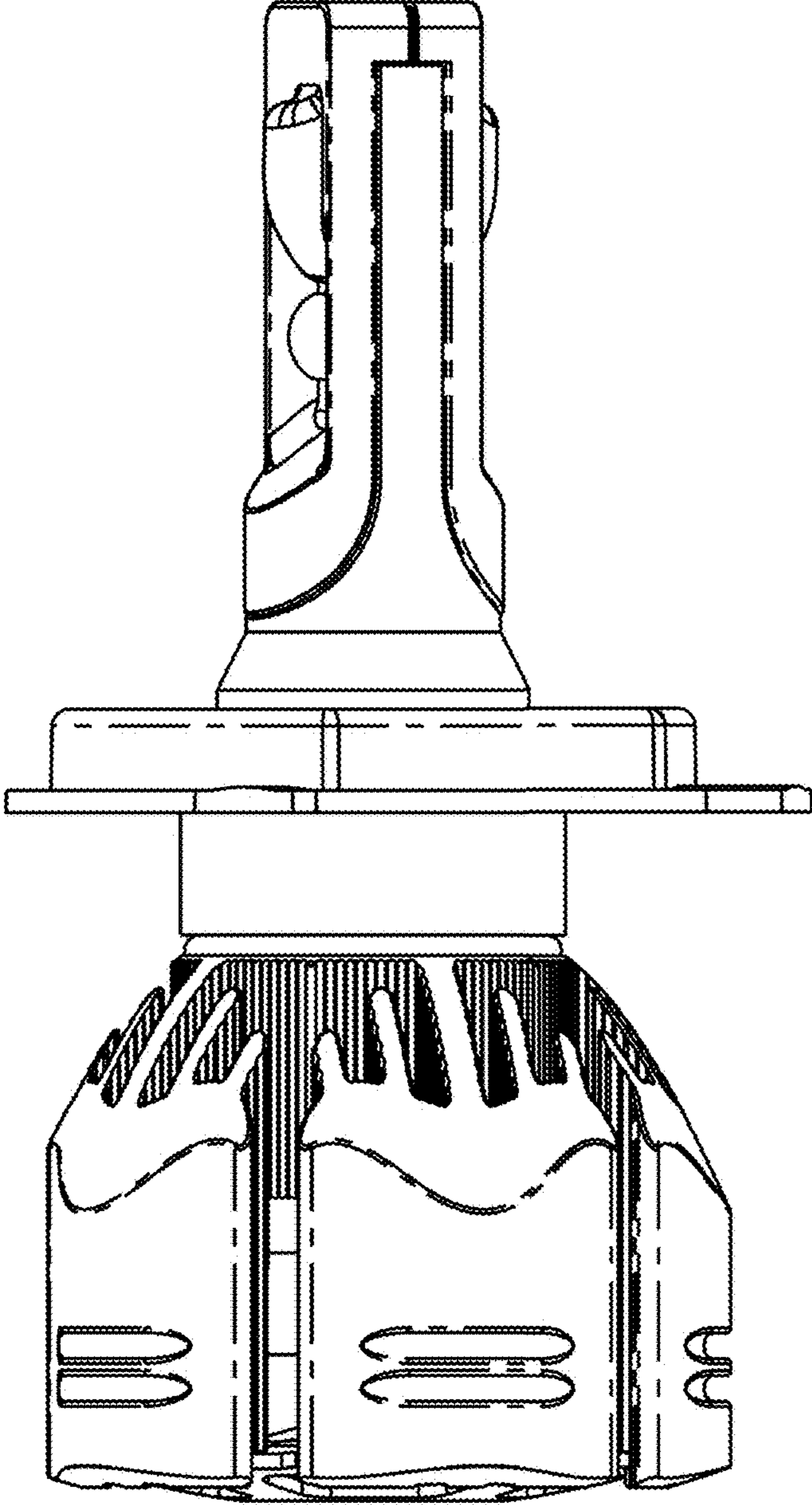


Fig. 6

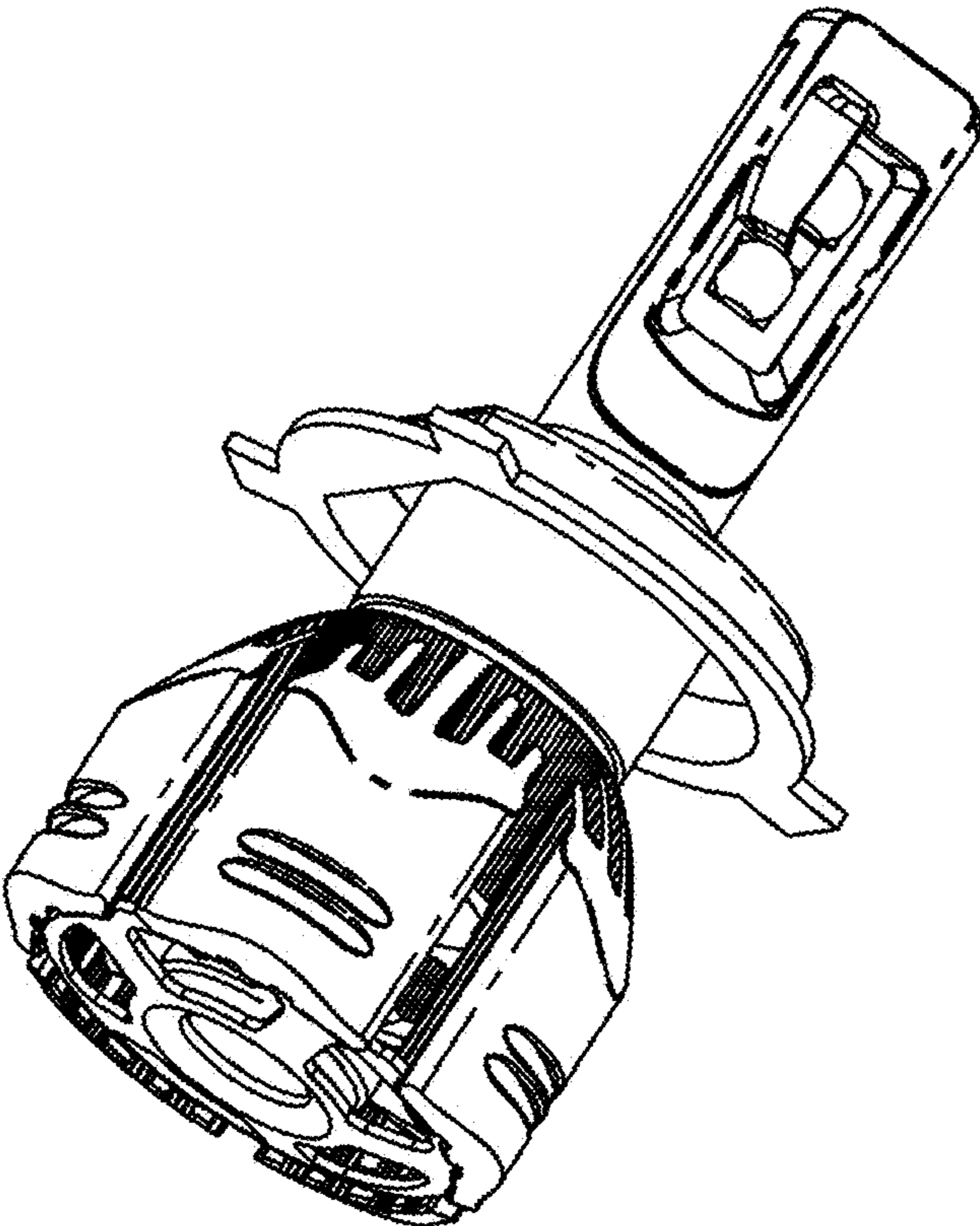


Fig. 7

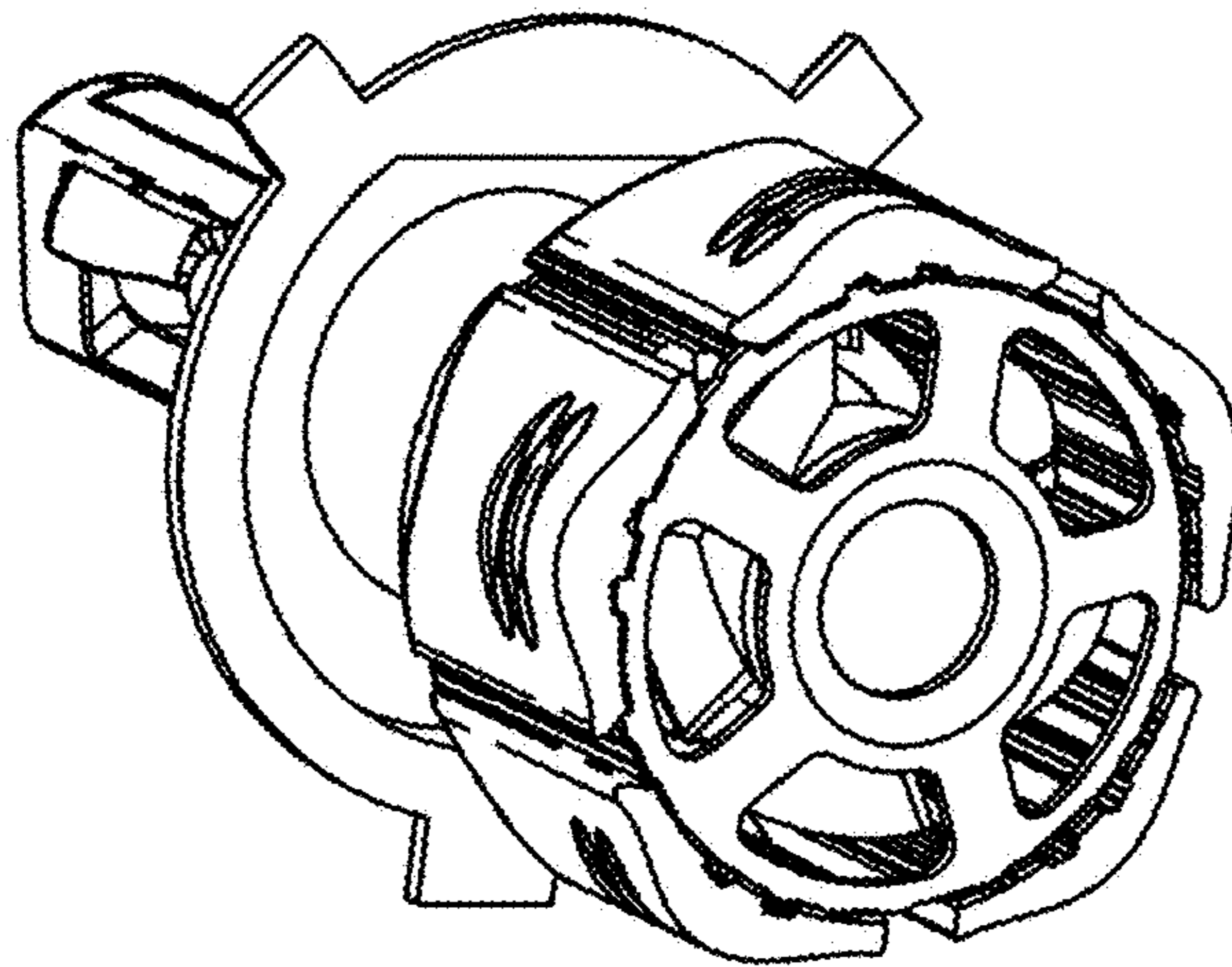


Fig. 8

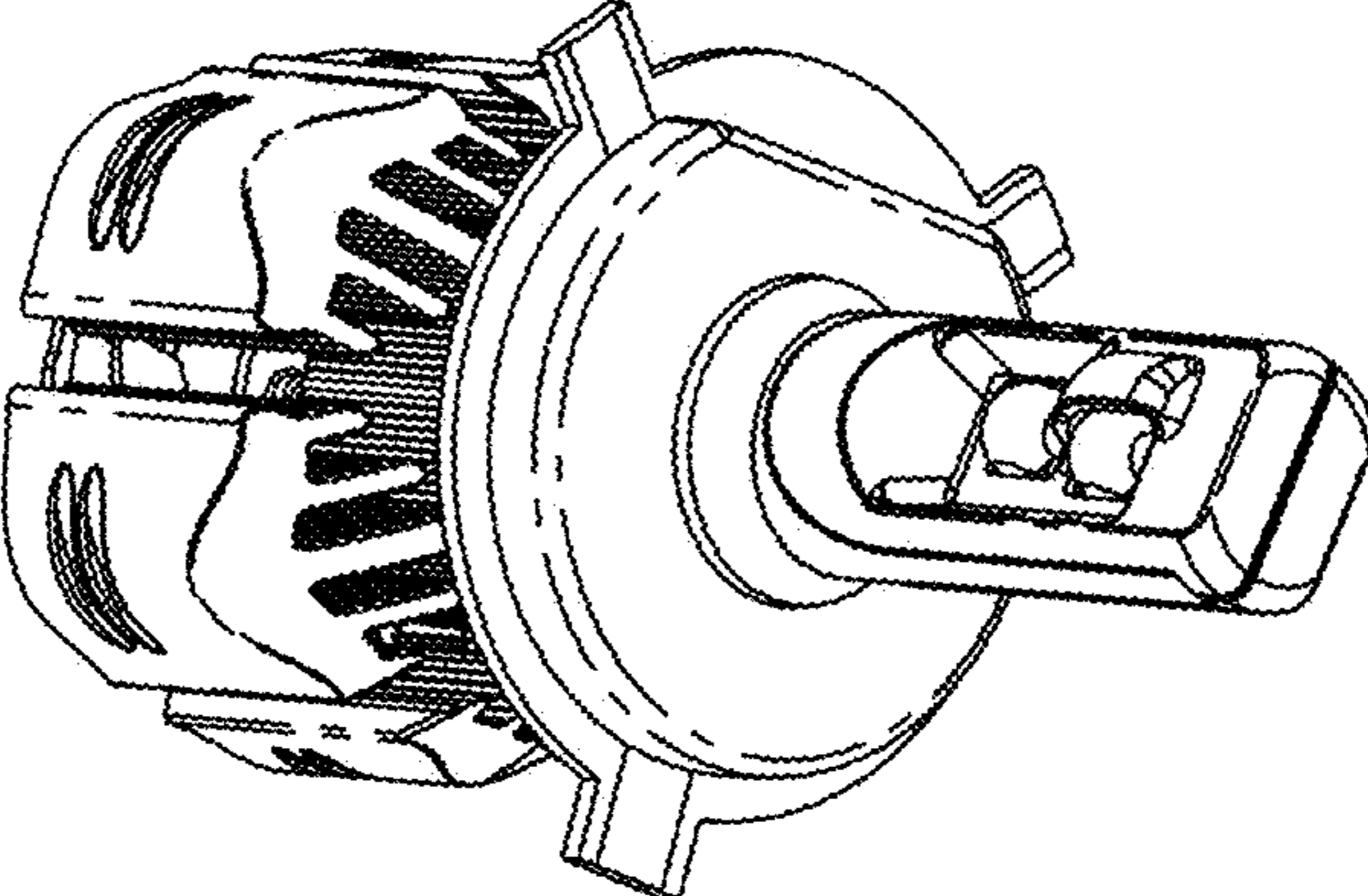


Fig. 9