



US00D846763S

(12) **United States Design Patent** (10) **Patent No.:** **US D846,763 S**
Rozek (45) **Date of Patent:** **** Apr. 23, 2019**

(54) **LIGHTING ASSEMBLY**

- (71) Applicant: **Pandemic Design Studio LLC**,
Chesterbrook, PA (US)
- (72) Inventor: **David A. Rozek**, Chesterbrook, PA
(US)
- (73) Assignee: **Pandemic Design Studio LLC**,
Bridgeport, PA (US)
- (**) Term: **15 Years**

- (21) Appl. No.: **29/604,752**
- (22) Filed: **May 19, 2017**
- (51) **LOC (11) Cl.** **26-04**
- (52) **U.S. Cl.**
USPC **D26/3**
- (58) **Field of Classification Search**
USPC D26/1-4
CPC H01R 5/00; H01R 13/46; H01R 13/514;
H01R 31/048; H01R 31/02; H01J 5/00;
H01J 5/16; H01J 15/00; H01J 5/48; H01J
5/50; H01J 19/54; F21V 5/00
See application file for complete search history.

(56) **References Cited**

U.S. PATENT DOCUMENTS

D477,093 S *	7/2003	Moriyama	D26/3
D574,093 S *	7/2008	Kitagawa	D26/3
D594,999 S *	6/2009	Uchida	D26/3
D597,686 S *	8/2009	Noh	D26/3
D601,726 S *	10/2009	Mollaert	D26/3

OTHER PUBLICATIONS

Mantis, Pandemic Design Studio, downloaded from web page:
<<http://pandemicdesignstudio.com/?project=mantis>>, Download date:
Oct. 12, 2017, original posting date: unknown, 1 page.
Fire Fly, Pandemic Design Studio, downloaded from web page:<<http://pandemicdesignstudio.com/?project=fire-fly>>, Download date: Oct.
12, 2017, original posting date: unknown, 1 page.
Worm, Pandemic Design Studio, downloaded from web page:
<<http://pandemicdesignstudio.com/?project=worm>>, Download date:
Oct. 12, 2017, original posting date: unknown, 1 page.

* cited by examiner

Primary Examiner — Marcus A Jackson
(74) *Attorney, Agent, or Firm* — Panitch Schwarze
Belisario & Nadel LLP

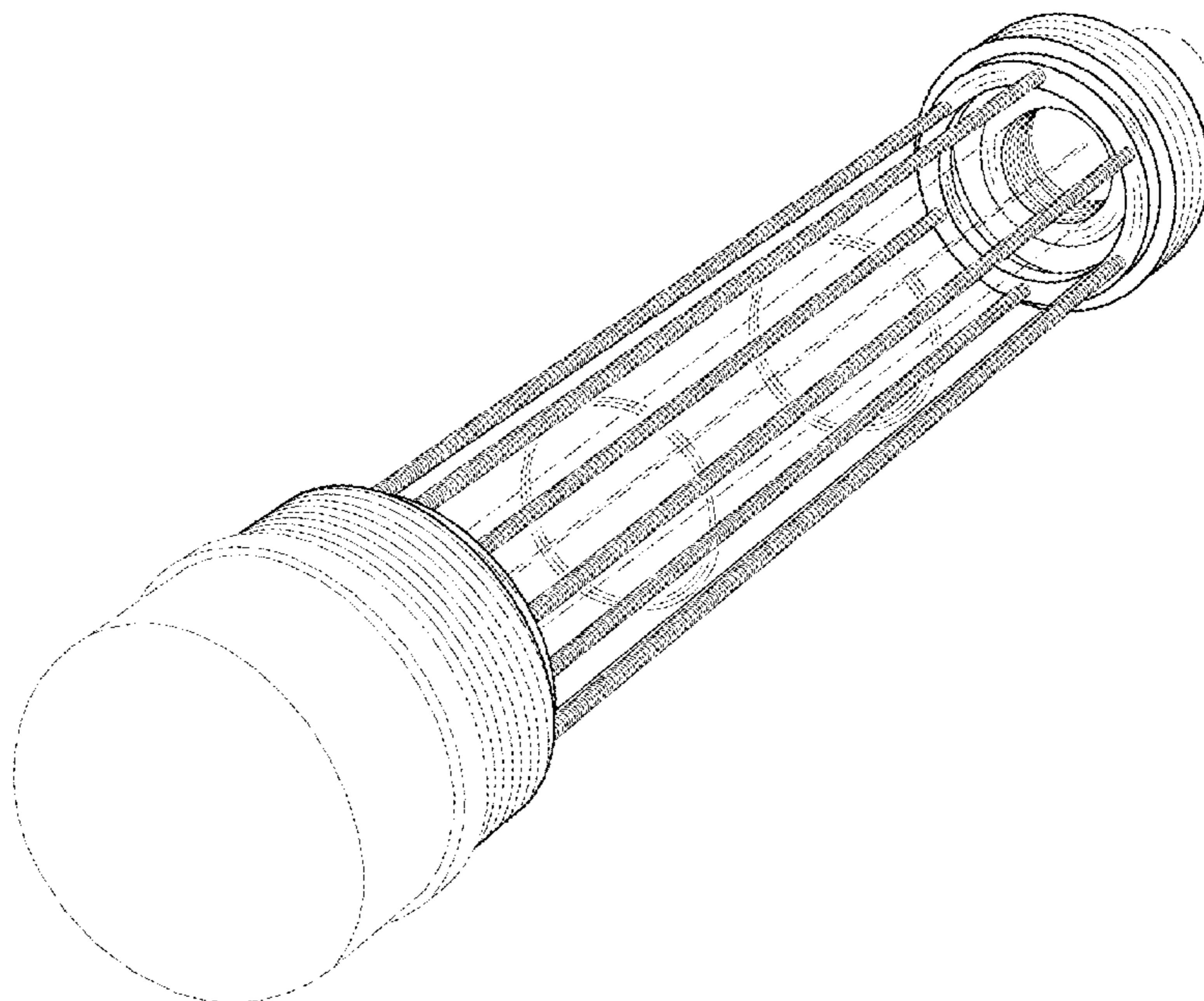
(57) **CLAIM**

The ornamental design for a lighting assembly, as shown and described.

DESCRIPTION

FIG. 1 is a front, left isometric view of the lighting assembly, in accordance with a preferred embodiment of my design; FIG. 2 is a rear, right isometric view thereof; FIG. 3 is a front elevational view thereof; FIG. 4 is a rear elevational view thereof; FIG. 5 is a left side elevational view thereof; FIG. 6 is a right side elevational view thereof; FIG. 7 is a top plan view thereof; and, FIG. 8 is a bottom plan view thereof. The broken lines in the figures are directed to environment and form no part of the claimed design.

1 Claim, 5 Drawing Sheets



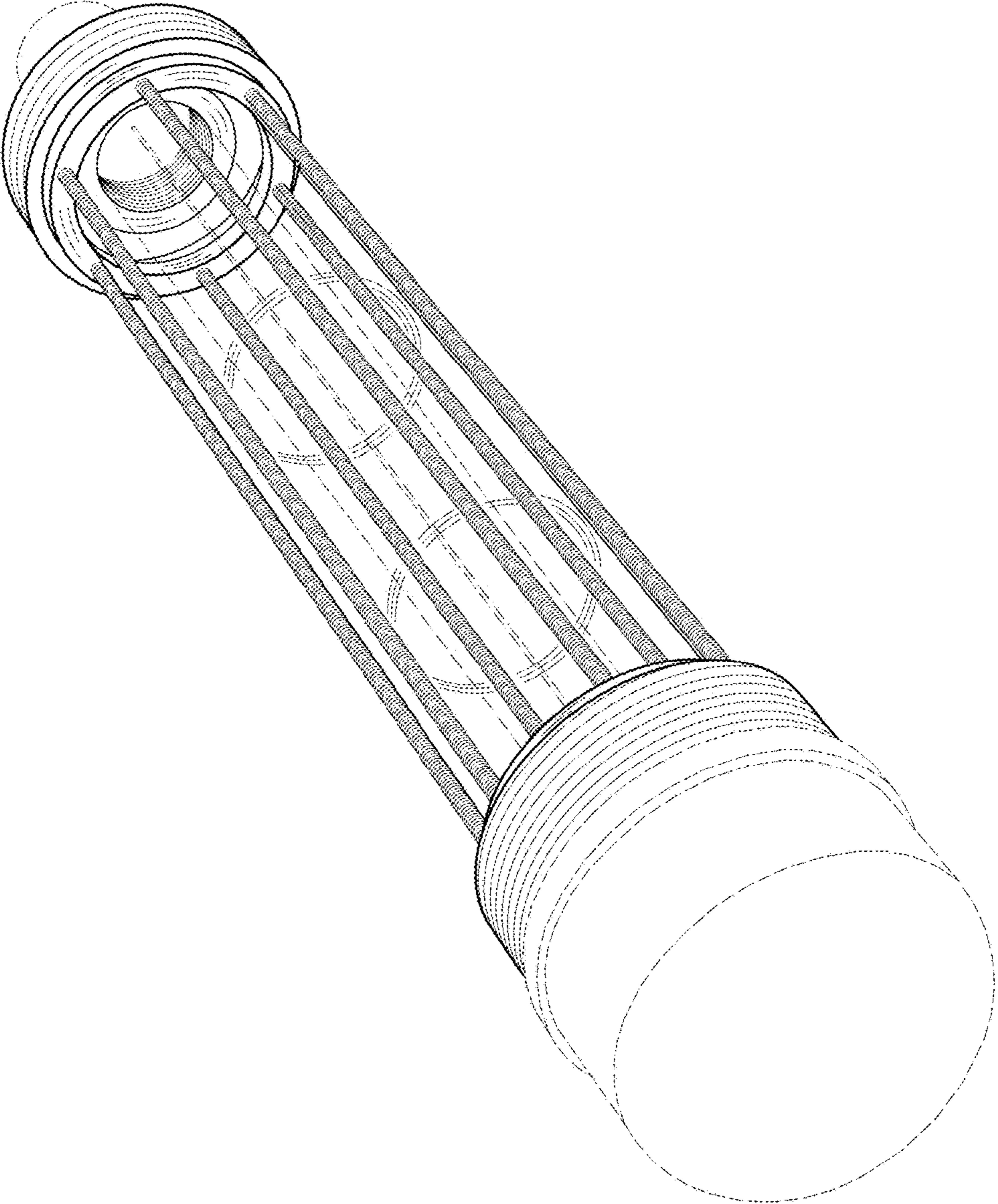


FIG. 1

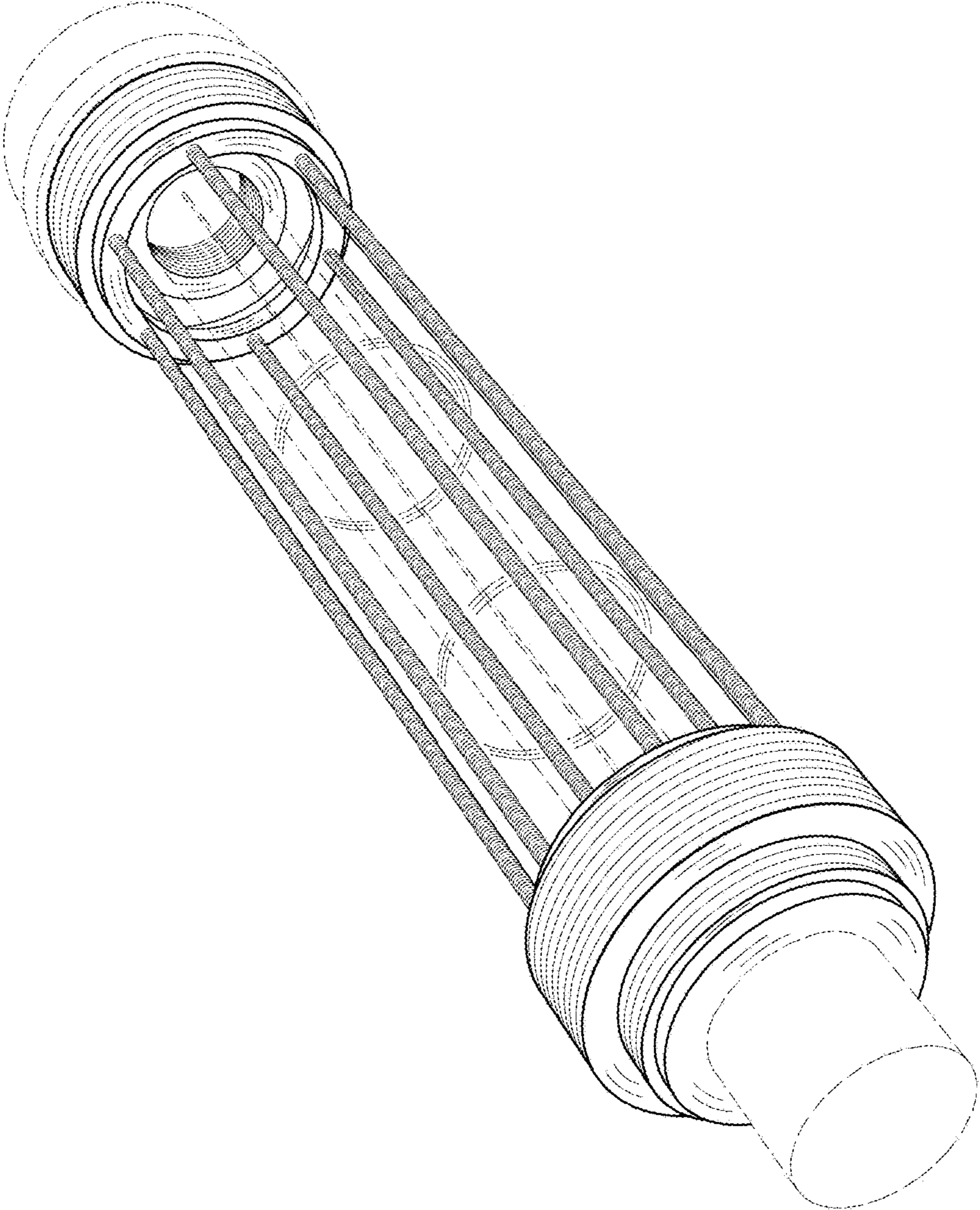


FIG. 2

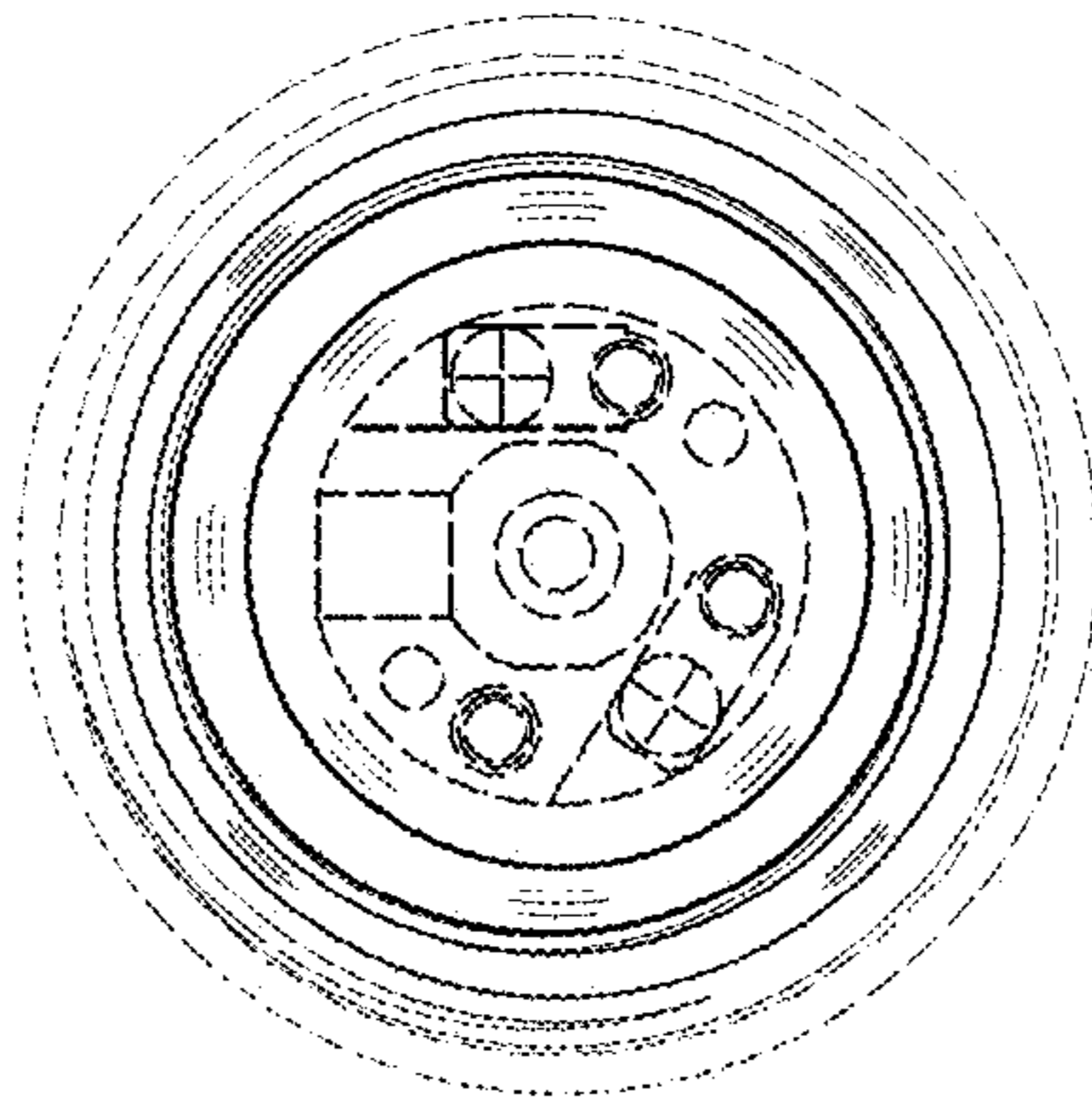


FIG. 4

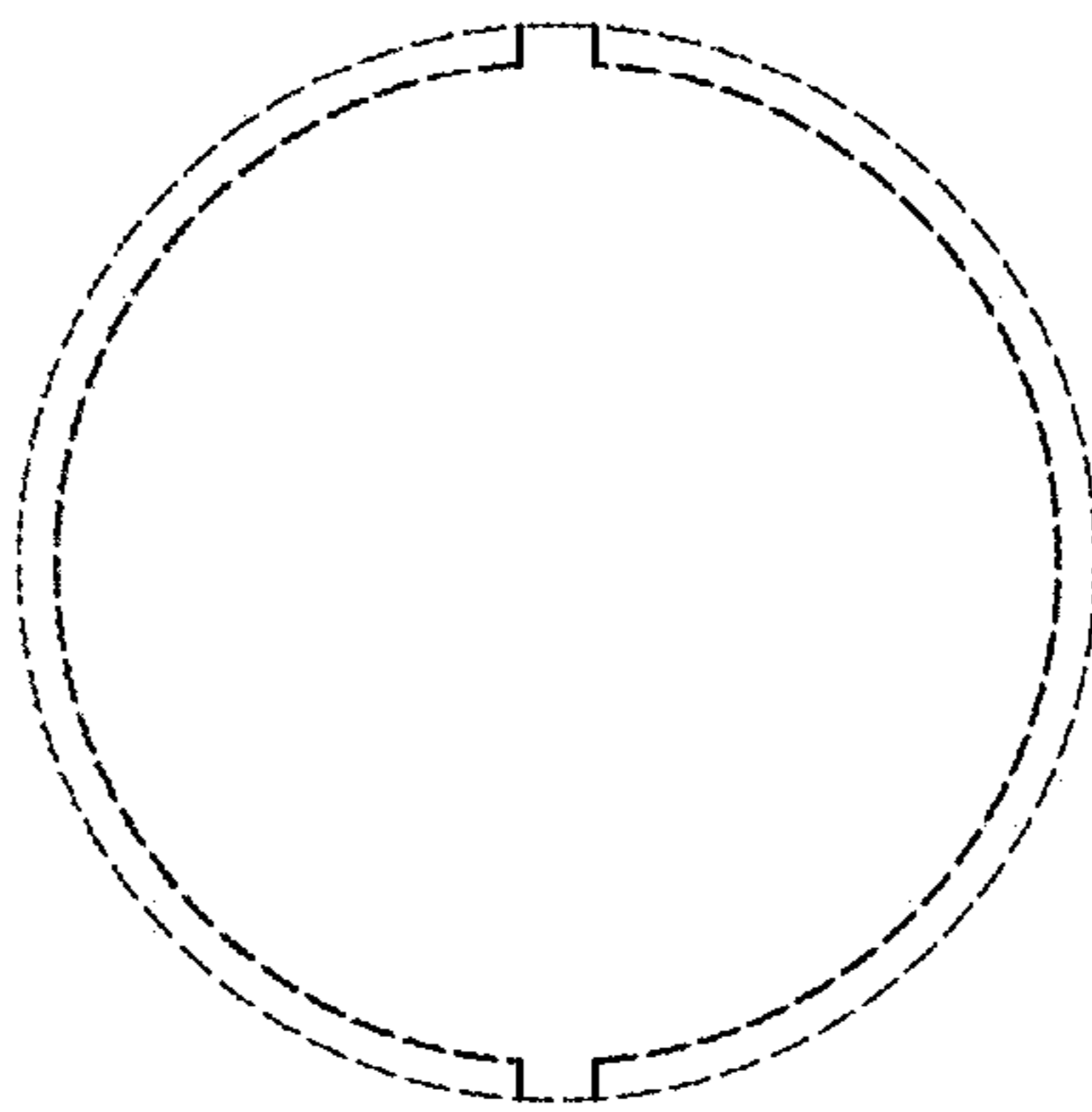


FIG. 3

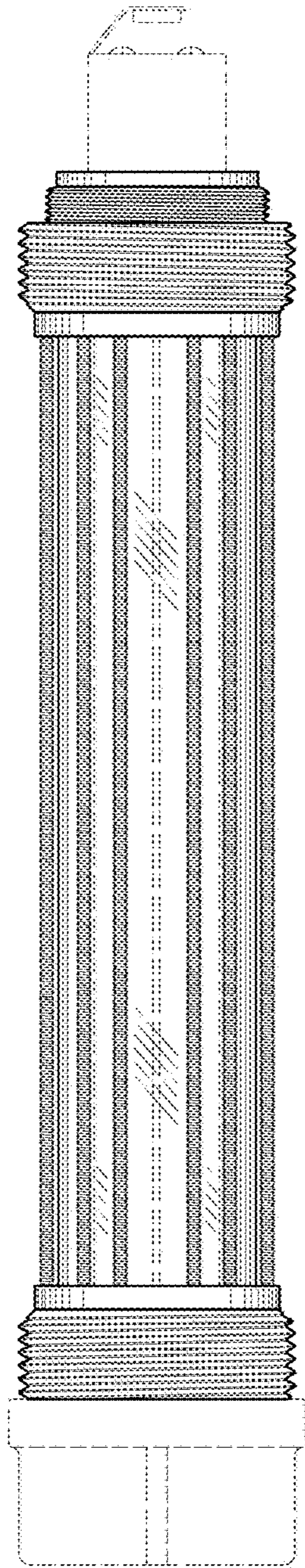


FIG. 5

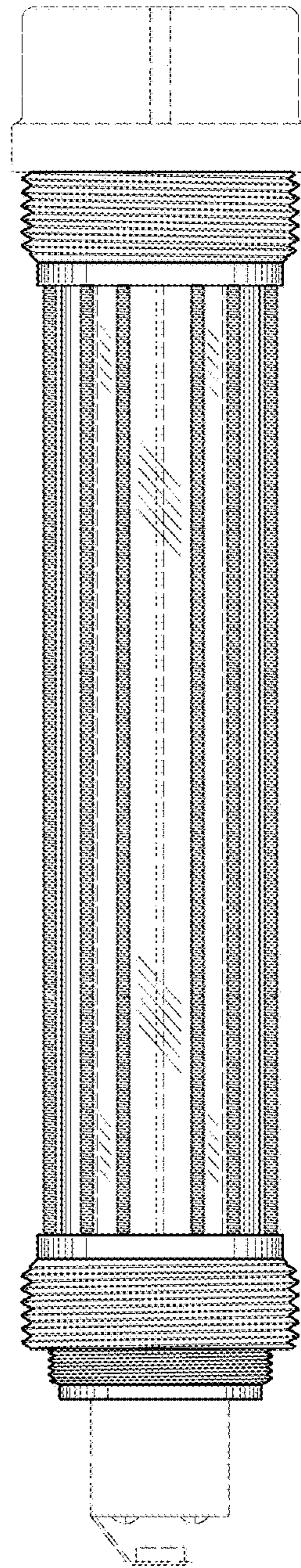


FIG. 6

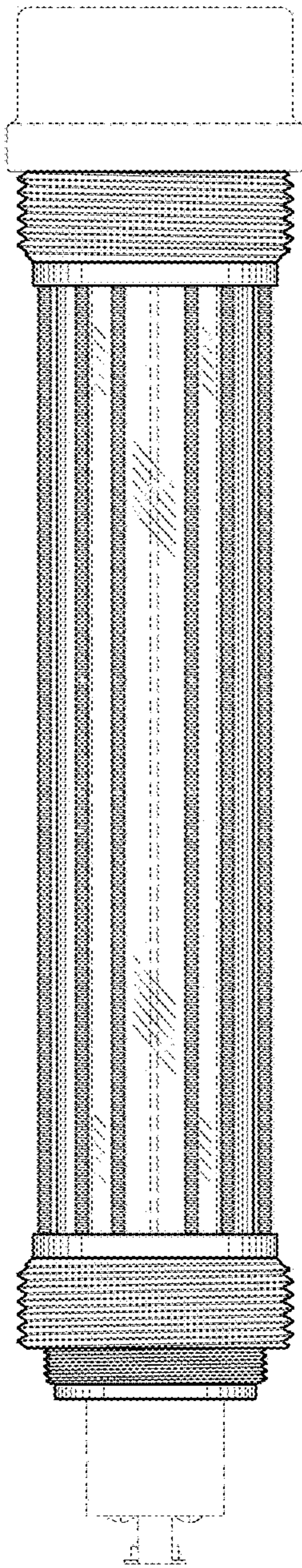


FIG. 7

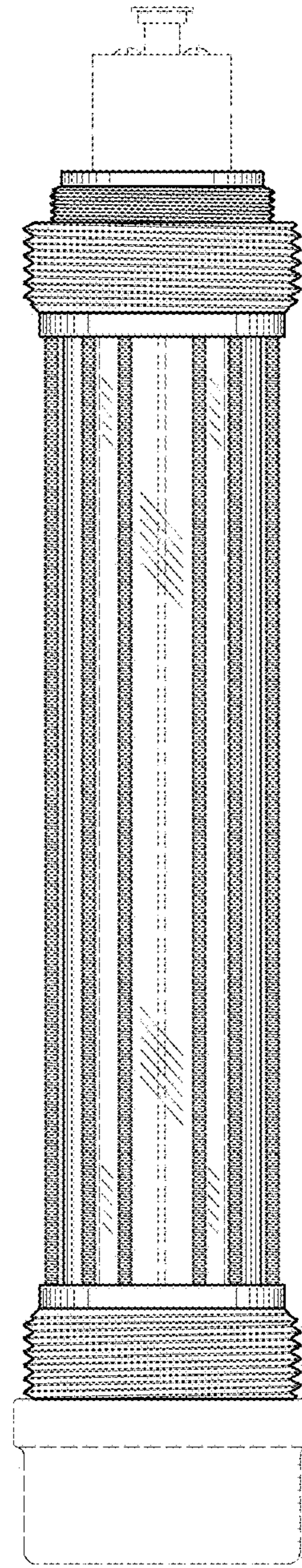


FIG. 8