



US00D846761S

(12) **United States Design Patent**
Molnar

(10) **Patent No.:** **US D846,761 S**
(45) **Date of Patent:** **** Apr. 23, 2019**

- (54) **BEVERAGE STAVE**
- (71) Applicant: **Mirage Business Capital Inc.**, Road Town (VG)
- (72) Inventor: **James Molnar**, Palm Beach Gardens, FL (US)
- (73) Assignee: **Mirage Business Capital, Inc.**, Tortola (VG)
- (**) Term: **15 Years**
- (21) Appl. No.: **29/591,842**
- (22) Filed: **Jan. 24, 2017**
- (51) **LOC (11) Cl.** **25-01**
- (52) **U.S. Cl.**
USPC **D25/123**
- (58) **Field of Classification Search**
USPC D34/28, 35, 38, 39; D25/119, 120, 121, D25/123, 125; D7/701, 387, 619.1, D7/624.1, 388; 211/74; D13/179; 52/537, 783.11, 783.17, 783.19, 620; 428/152, 182, 99, 100, 67, 160, 168, 169, 428/186, 158; D23/365; D6/582, 583, D6/613, 606; 261/112.2; 5/652.1
CPC ... A47B 73/00; A47B 73/006; A47B 47/0091; A47B 81/007; A47F 7/28
See application file for complete search history.

- 7,426,767 B2 * 9/2008 Mossbeck A47C 27/144 5/652.1
 - 7,427,434 B2 * 9/2008 Busam D06C 23/04 428/182
 - D732,789 S * 6/2015 Tippmann D34/38
 - D753,847 S * 4/2016 Gori D25/119
- (Continued)

FOREIGN PATENT DOCUMENTS

WO 2016046481 A1 3/2016
Primary Examiner — Cynthia Ramirez
Assistant Examiner — Gino Colan

(57) **CLAIM**

The ornamental design for a beverage stave, as shown and described.

DESCRIPTION

FIG. 1 is an isometric view from a first, side perspective of a beverage stave;
FIG. 2 is a first side view of the beverage stave shown in FIG. 1;
FIG. 3 is a second side view of the beverage stave shown in FIG. 1;
FIG. 4 is a third side view of the beverage stave shown in FIG. 1;
FIG. 5 is a fourth side view of the beverage stave shown in FIG. 1;
FIG. 6 is a top plan view of the beverage stave shown in FIG. 1; and,
FIG. 7 is a bottom plan view of the beverage stave shown in FIG. 1.

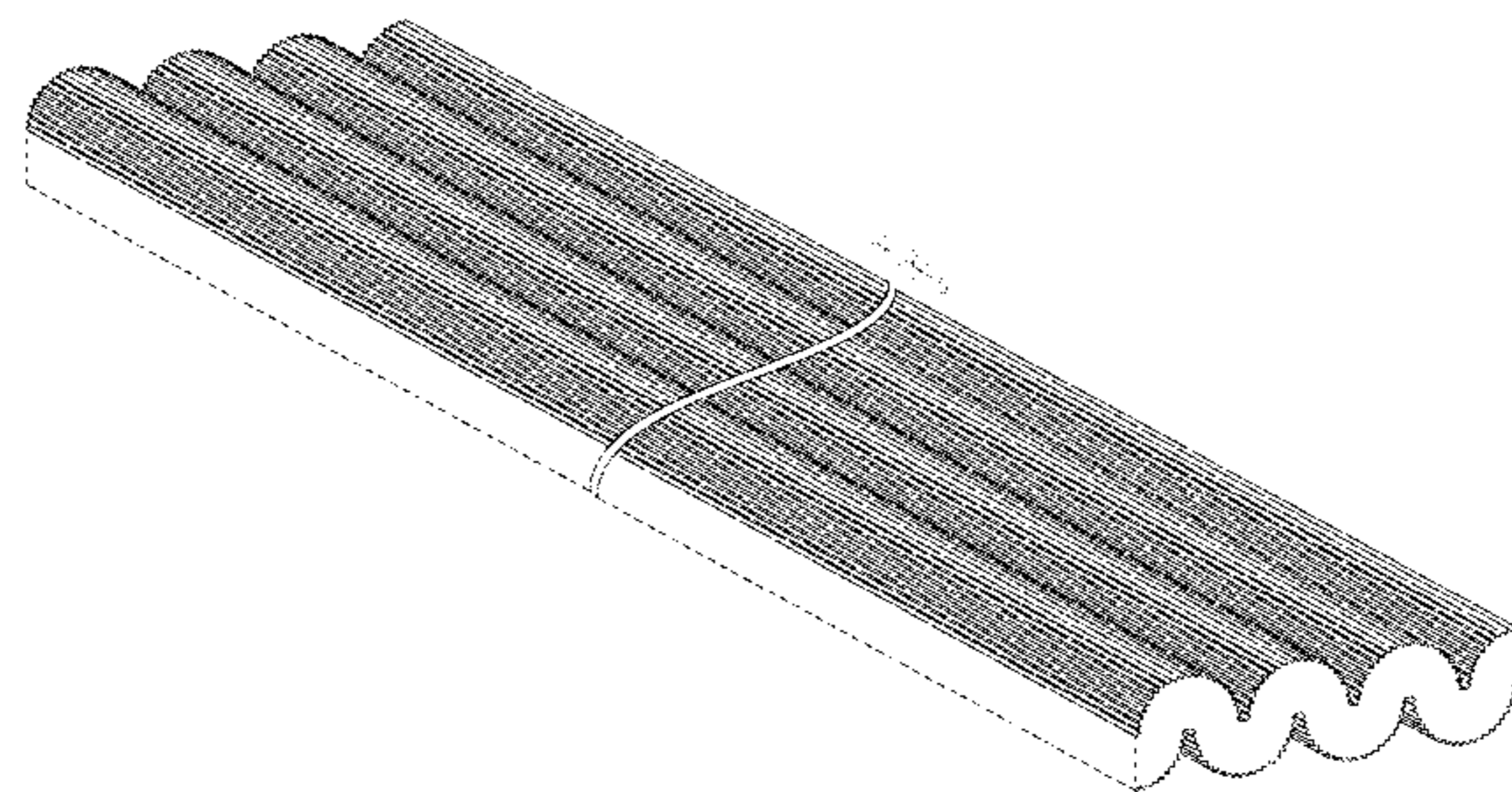
The broke lines shown in the figures are for the purposes of illustrating portions of the beverage stave that form no part of the claimed design. The beverage stave is shown with symbolic breaks in the middle. The appearance of any portion of the article beyond the break lines form no part of the claimed design.

1 Claim, 5 Drawing Sheets

(56) **References Cited**

U.S. PATENT DOCUMENTS

- 2,919,814 A * 1/1960 Berkowitz A47F 7/281 211/74
- D254,506 S * 3/1980 Holmberg 261/112.2
- D270,092 S * 8/1983 Lacasse D25/123
- D278,140 S * 3/1985 Tatum D13/179
- D300,293 S * 3/1989 Casey D7/387
- 5,331,133 A 7/1994 Cordier
- D353,747 S * 12/1994 Lanier D7/701
- D479,786 S * 9/2003 Matheou D7/701



(56)

References Cited

U.S. PATENT DOCUMENTS

2008/0142459 A1* 6/2008 Donnell A47B 1/007
211/74
2009/0255205 A1* 10/2009 Noble B32B 3/10
52/630
2010/0183847 A1* 7/2010 Pearce B32B 3/28
428/158
2015/0024172 A1* 1/2015 Pollock B31D 5/006
428/182

* cited by examiner

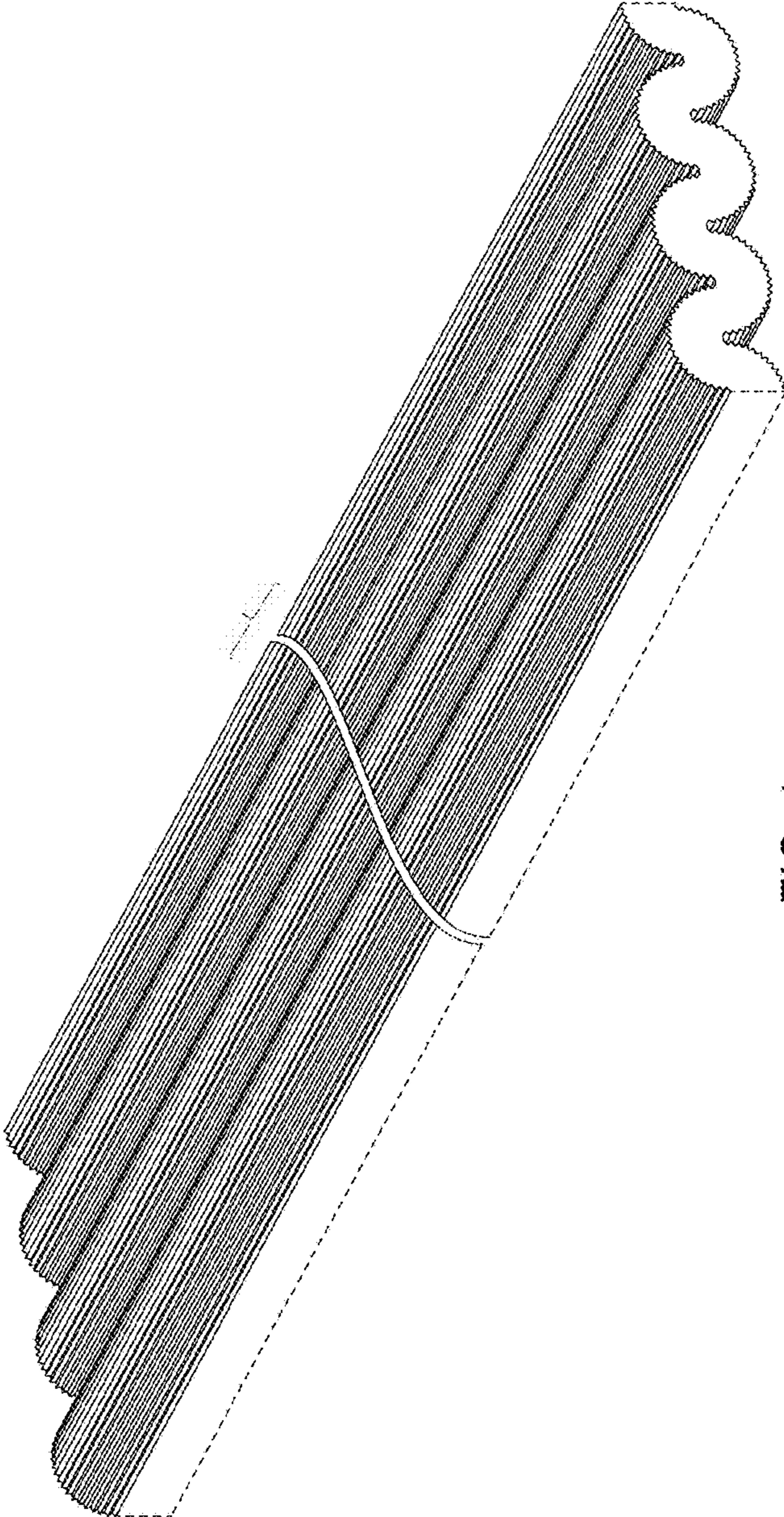


FIG. 1

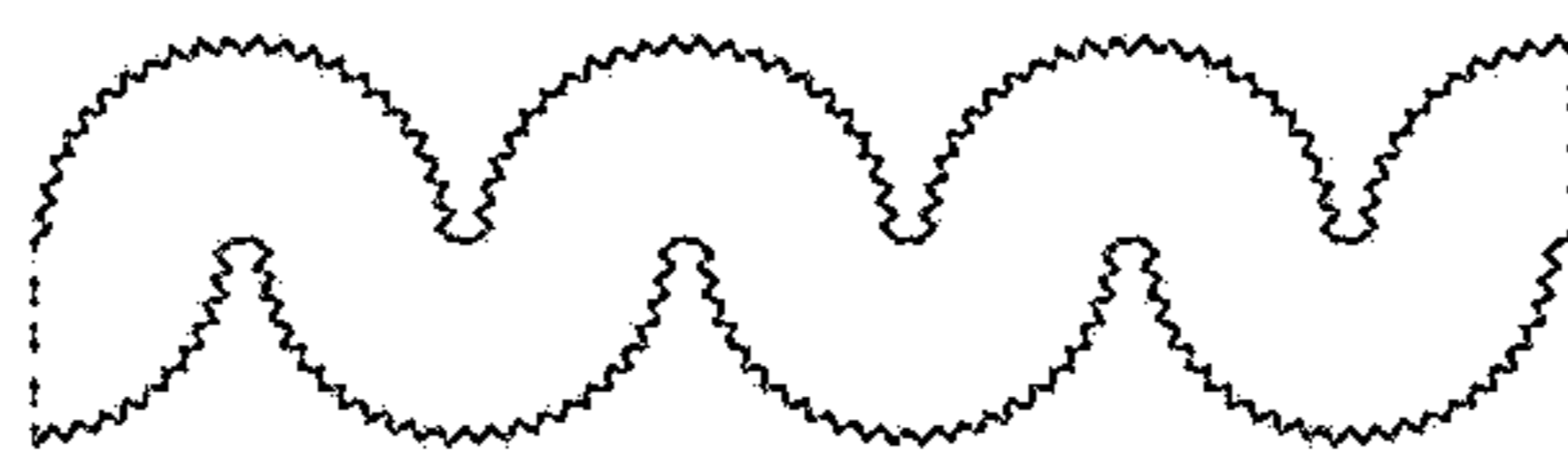


FIG. 2

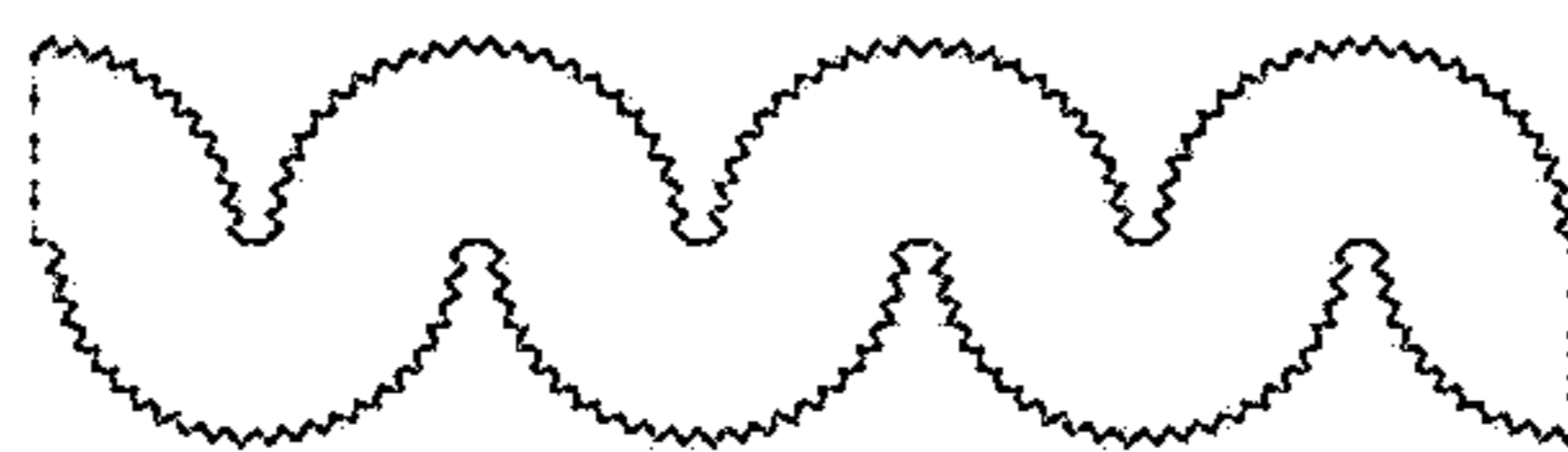


FIG. 3

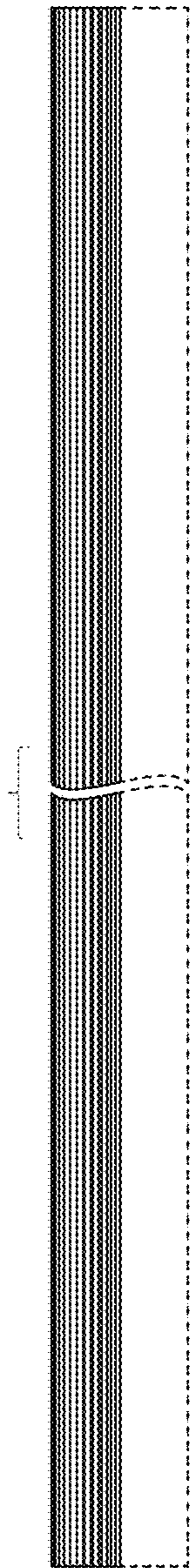


FIG. 4

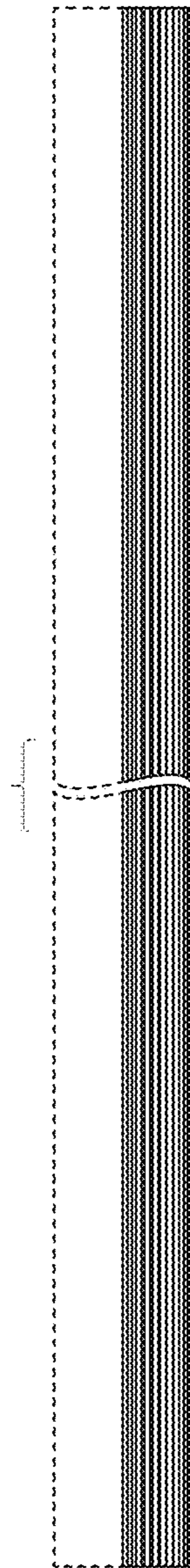


FIG. 5

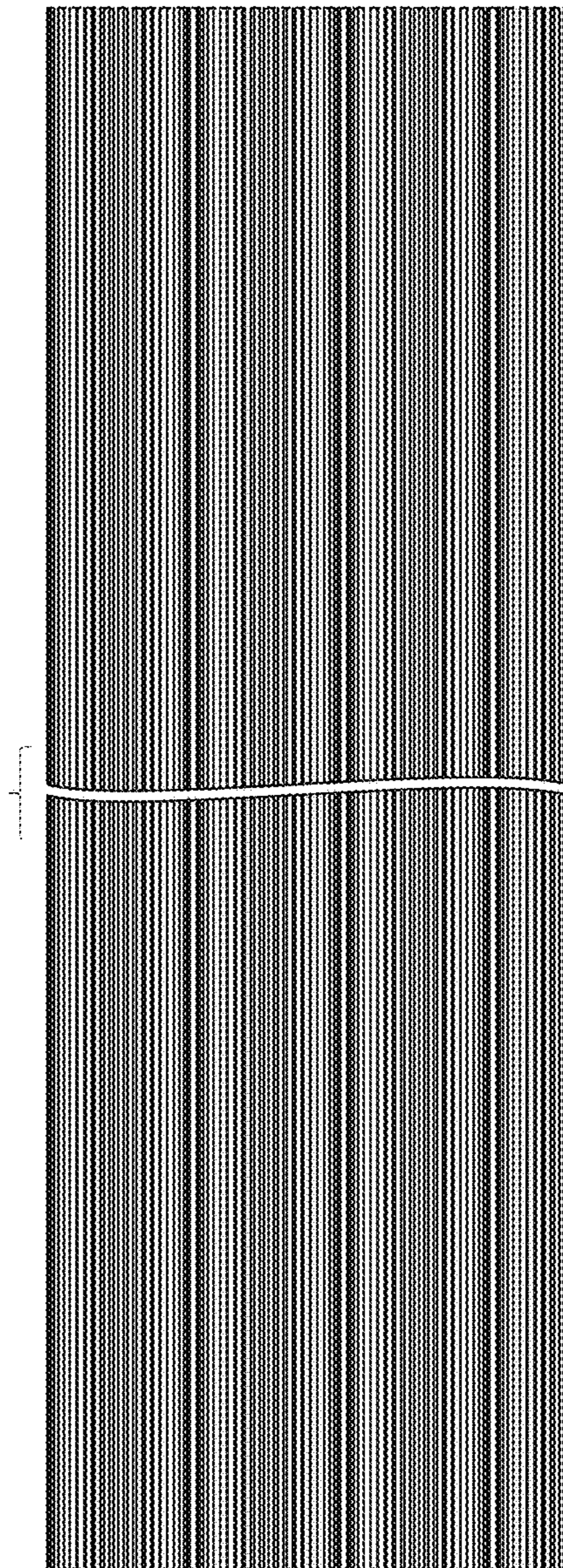


FIG. 6

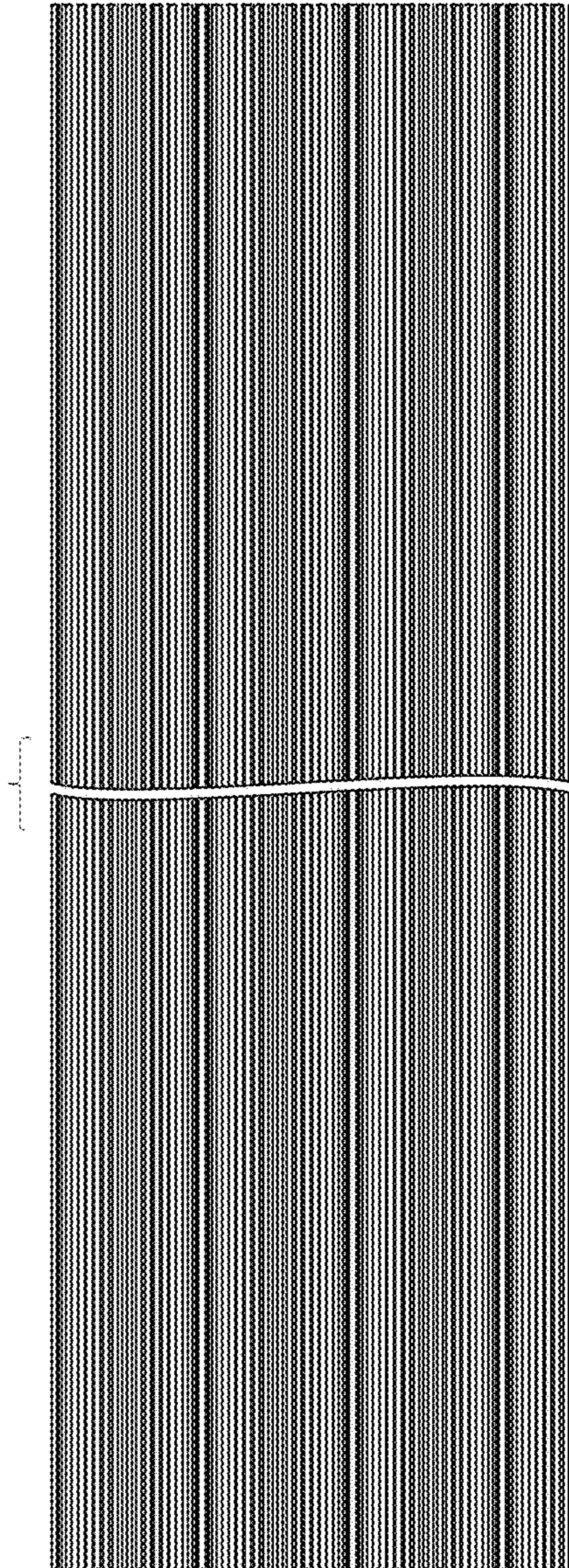


FIG. 7