



US00D846760S

(12) **United States Design Patent** (10) **Patent No.:** **US D846,760 S**  
**Lundell et al.** (45) **Date of Patent:** **\*\* Apr. 23, 2019**

(54) **WALL BLOCK**  
(71) Applicants: **Robert John Lundell**, Stillwater, MN (US); **Craig D. Moritz**, Vadnais Heights, MN (US)  
(72) Inventors: **Robert John Lundell**, Stillwater, MN (US); **Craig D. Moritz**, Vadnais Heights, MN (US)  
(73) Assignee: **KEYSTONE RETAINING WALL SYSTEMS LLC**, West Chester, OH (US)

D466,228 S 11/2002 Hammer  
6,536,994 B2 3/2003 Race  
D475,143 S \* 5/2003 Hammer ..... D25/118  
D479,003 S 8/2003 Nordstrand  
6,615,561 B2 9/2003 MacDonald et al.  
6,701,687 B1 3/2004 Shillingburg  
7,048,472 B2 5/2006 Woolford et al.  
7,114,887 B1 \* 10/2006 Rainey ..... E02D 29/0233  
405/262  
7,168,892 B1 1/2007 MacDonald et al.  
D538,947 S \* 3/2007 Price ..... D25/113  
D556,919 S 12/2007 Price  
D575,413 S \* 8/2008 Hammer ..... D25/113  
D587,382 S \* 2/2009 Wauhop ..... D25/113  
D602,171 S \* 10/2009 Rodebaugh ..... D25/113

(Continued)

(\*\*) Term: **15 Years**

(21) Appl. No.: **29/623,489**

(22) Filed: **Oct. 25, 2017**

(51) **LOC (11) Cl.** ..... **25-01**

(52) **U.S. Cl.**  
USPC ..... **D25/114**

(58) **Field of Classification Search**  
USPC ..... D25/102-118, 136, 138, 152-162, 164  
CPC . B28B 11/0863; B28B 17/0027; E02D 29/02;  
E02D 29/025; E02D 29/0266; E02D  
29/0225; E02D 29/0233; E04C 1/00;  
E04C 1/395; E04C 1/41; E04B 1/02;  
E04B 1/04; E04B 1/41; E04F 13/0801;  
E04F 13/24; E04F 13/147

See application file for complete search history.

(56) **References Cited**

U.S. PATENT DOCUMENTS

5,214,898 A 6/1993 Beretta  
D350,402 S 9/1994 Pribyl et al.  
D363,787 S 10/1995 Powell  
D391,376 S 2/1998 Strand et al.  
5,827,015 A 10/1998 Woolford et al.  
D405,543 S \* 2/1999 Shillingburg ..... D25/114  
D433,158 S 10/2000 Hammer  
D435,917 S 1/2001 Hammer

FOREIGN PATENT DOCUMENTS

KR 300513040.0000 \* 12/2008

OTHER PUBLICATIONS

<http://keystonewalls.com/application/files/8115/0953/2905/KSConstructionManual.pdf> Nov. 1, 2017 (Year: 2017).\*

*Primary Examiner* — Leanne Was-Englehart  
(74) *Attorney, Agent, or Firm* — Popovich, Wiles & O'Connell, P.A.

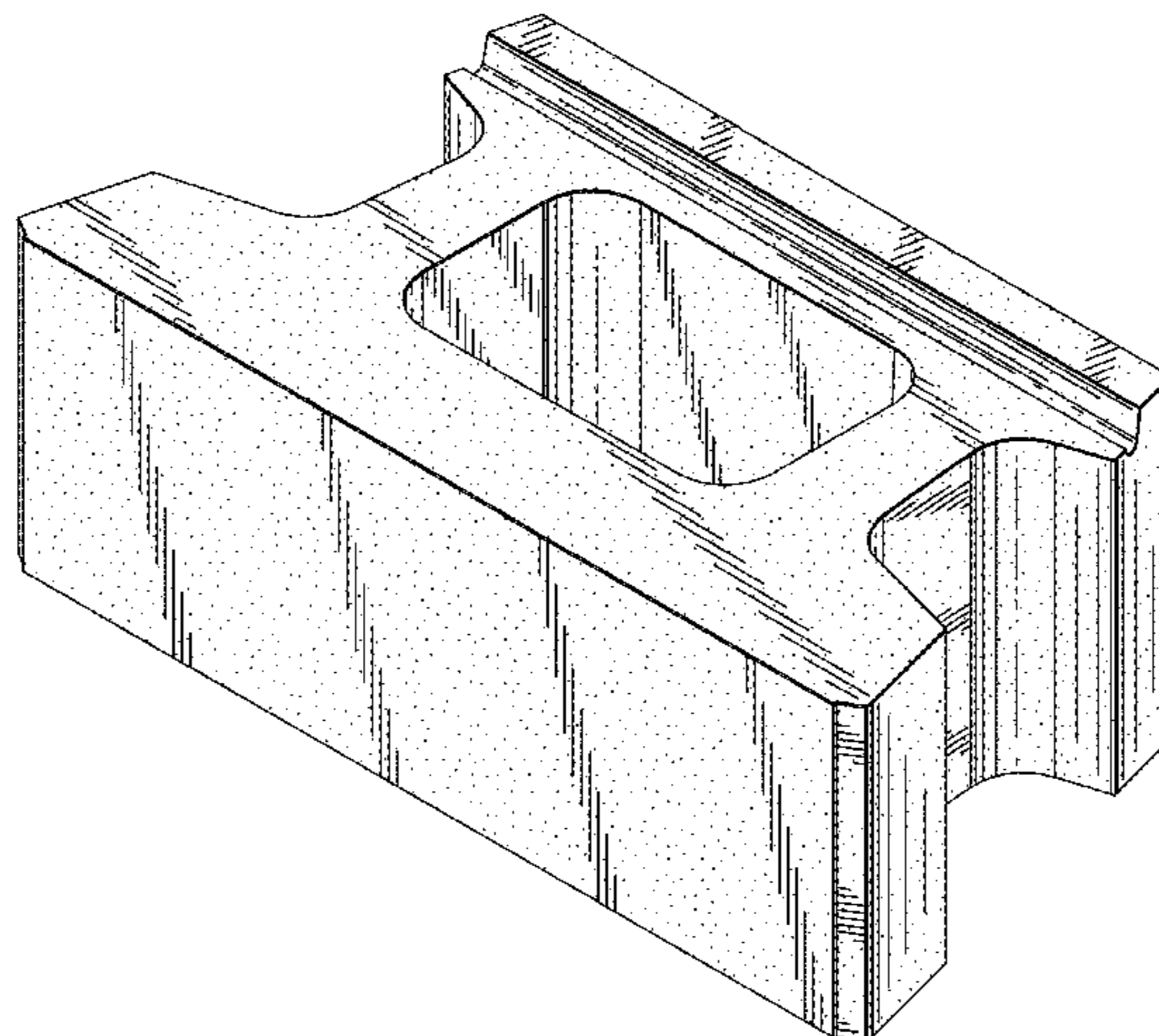
(57) **CLAIM**

The ornamental design for a wall block, as shown and described.

**DESCRIPTION**

FIG. 1 is a bottom perspective view of a wall block;  
FIG. 2 is a bottom plan view thereof;  
FIG. 3 is a top plan view thereof;  
FIG. 4 is a left side elevational view thereof;  
FIG. 5 is a right side elevational view thereof;  
FIG. 6 is a front side elevational view thereof; and,  
FIG. 7 is a rear side elevational view thereof.

**1 Claim, 7 Drawing Sheets**



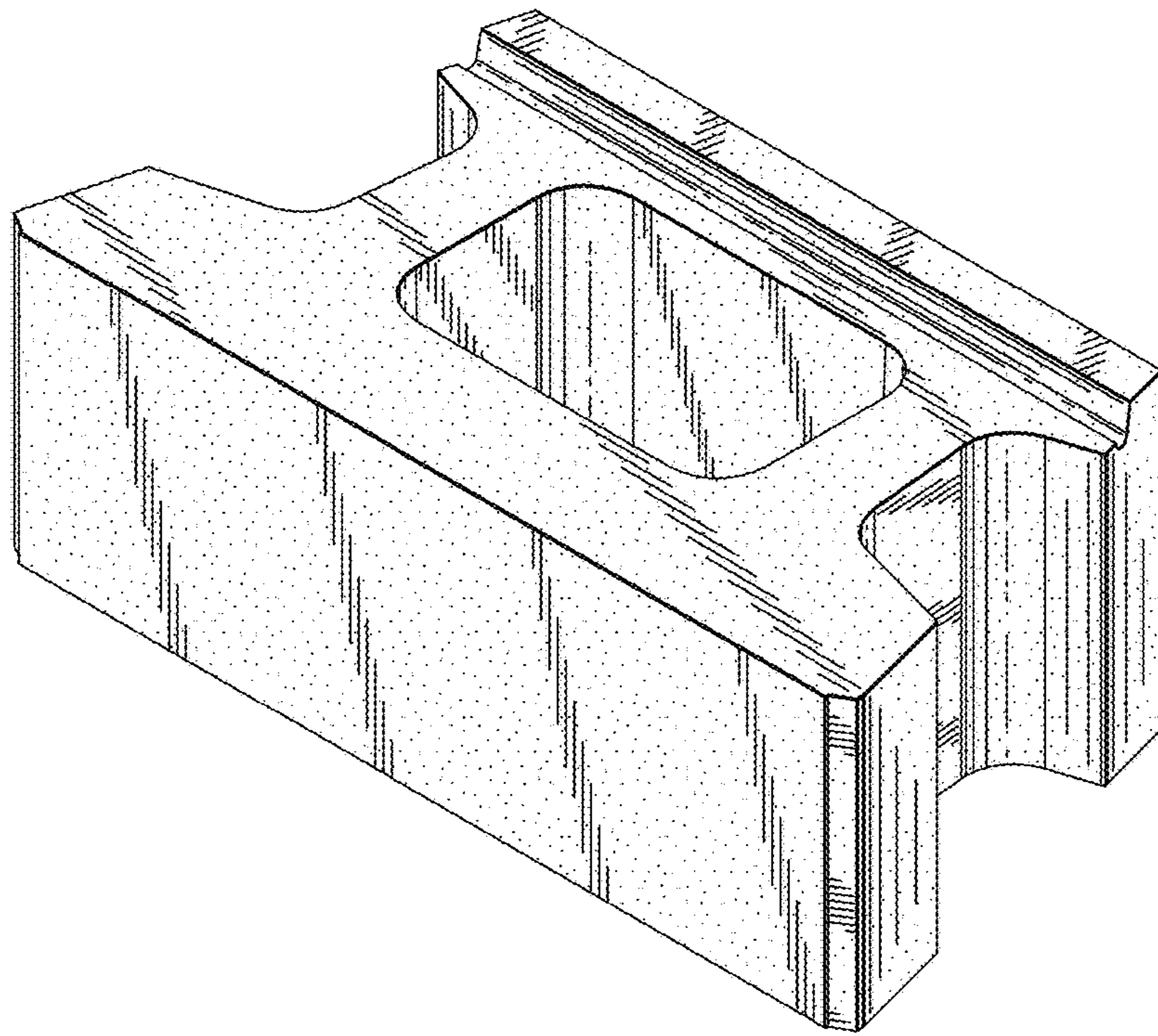
(56)

**References Cited**

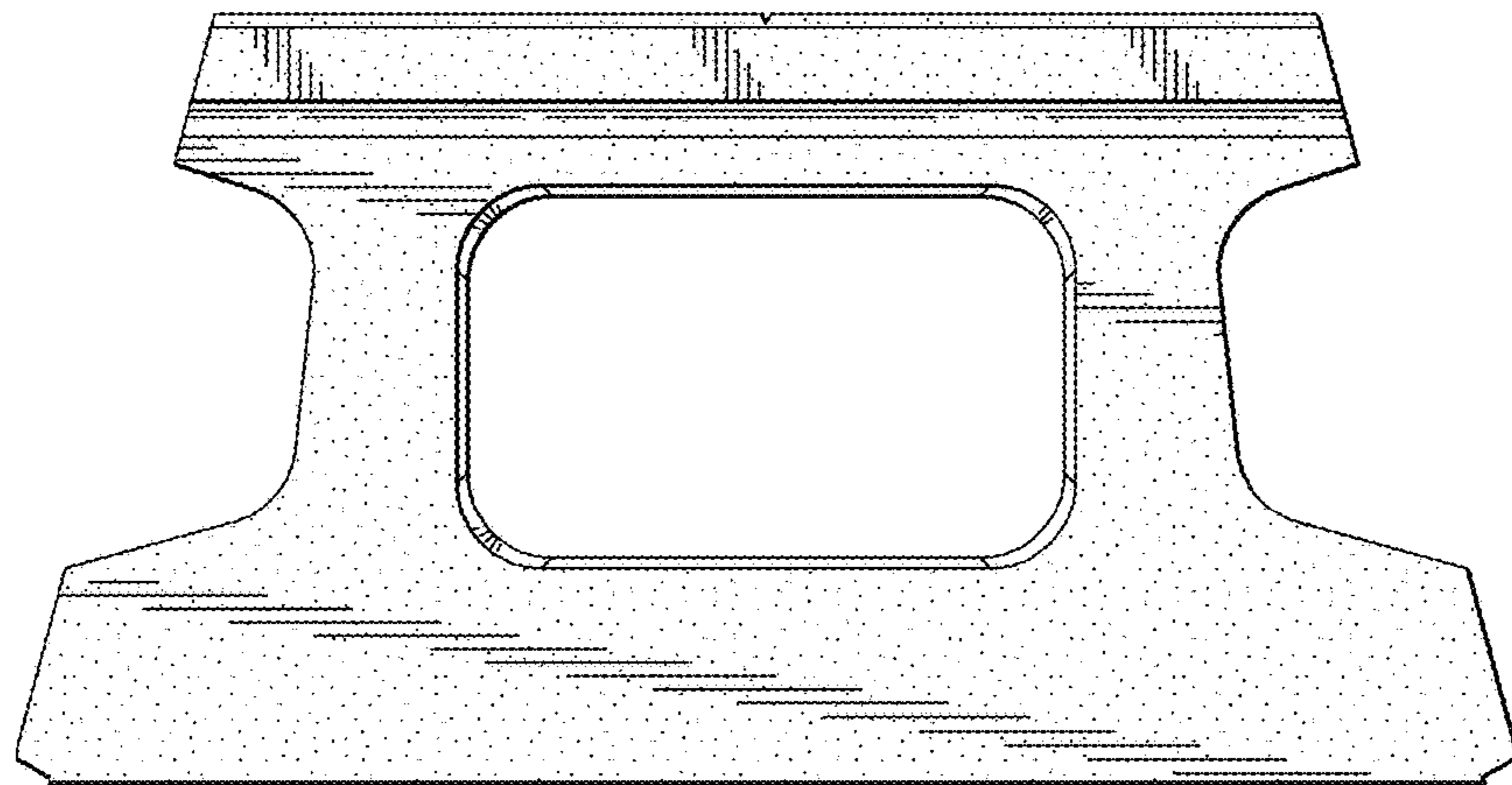
U.S. PATENT DOCUMENTS

D604,865	S *	11/2009	Rainey .....	D25/114
7,654,776	B2	2/2010	MacDonald et al.	
D620,615	S	7/2010	MacDonald et al.	
D621,070	S	8/2010	MacDonald et al.	
D647,218	S	10/2011	MacDonald	
D647,219	S	10/2011	MacDonald	
D663,858	S	7/2012	MacDonald	
D671,657	S	11/2012	MacDonald	
D685,502	S *	7/2013	MacDonald .....	D25/113
D688,816	S	8/2013	MacDonald	
D689,203	S *	9/2013	MacDonald .....	D25/114
D689,204	S	9/2013	MacDonald	
D694,914	S *	12/2013	MacDonald .....	D25/113
D708,765	S *	7/2014	MacDonald .....	D25/113
D773,693	S *	12/2016	Karau .....	D25/113
9,574,317	B2	2/2017	MacDonald	
D812,781	S *	3/2018	MacDonald .....	D25/114
2006/0110223	A1	5/2006	Dawson et al.	
2006/0171784	A1	8/2006	Shaw	
2009/0308015	A1	12/2009	MacDonald et al.	
2011/0078978	A1 *	4/2011	Wauhop .....	B28B 11/0863 52/745.19
2011/0217127	A1	9/2011	MacDonald	
2011/0243669	A1 *	10/2011	Friederichs .....	E02D 29/025 405/284
2013/0067845	A1 *	3/2013	MacDonald .....	E04C 1/395 52/563
2018/0023303	A1 *	1/2018	MacDonald .....	E04F 13/0801

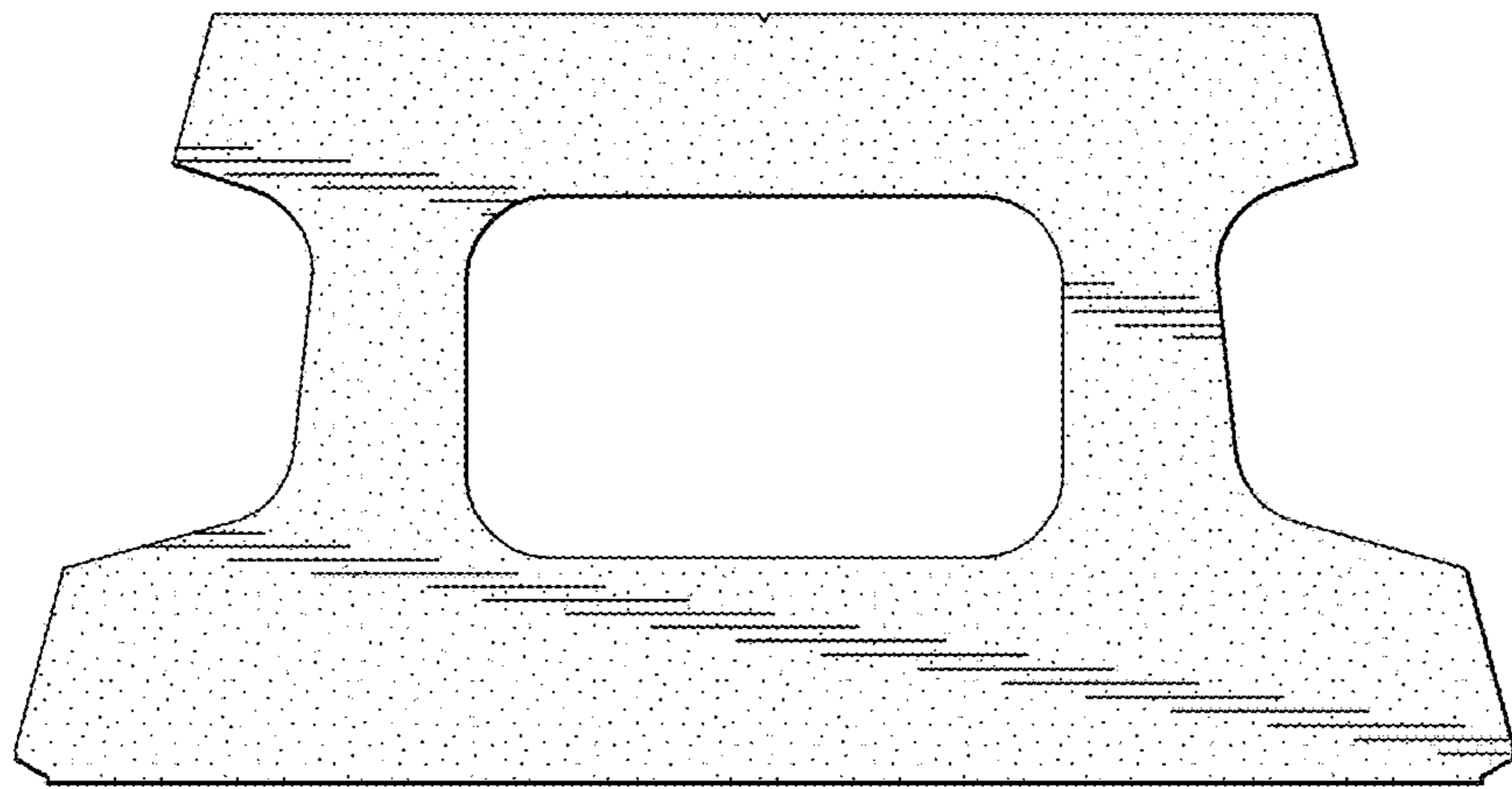
\* cited by examiner



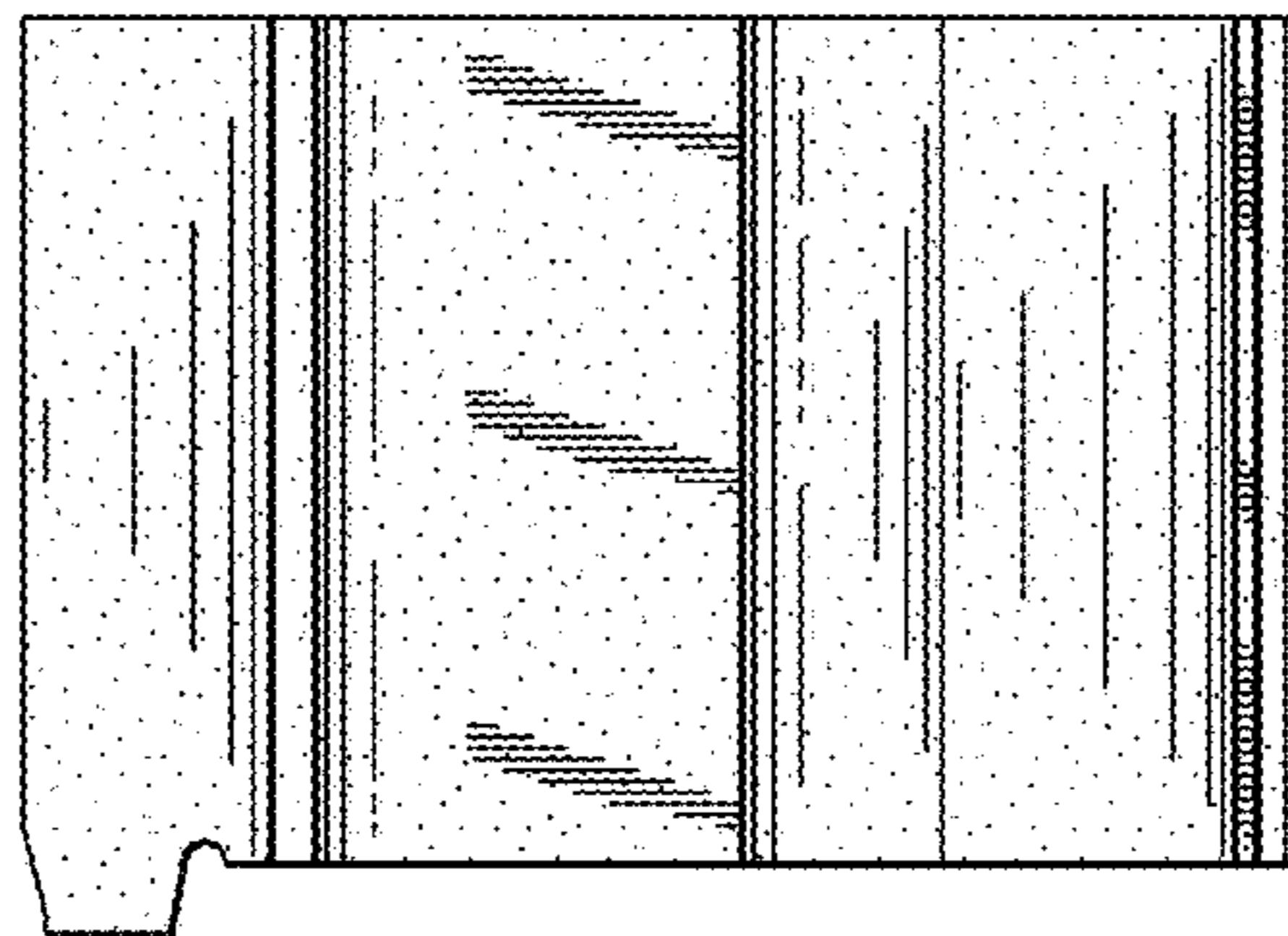
*Fig. 1*



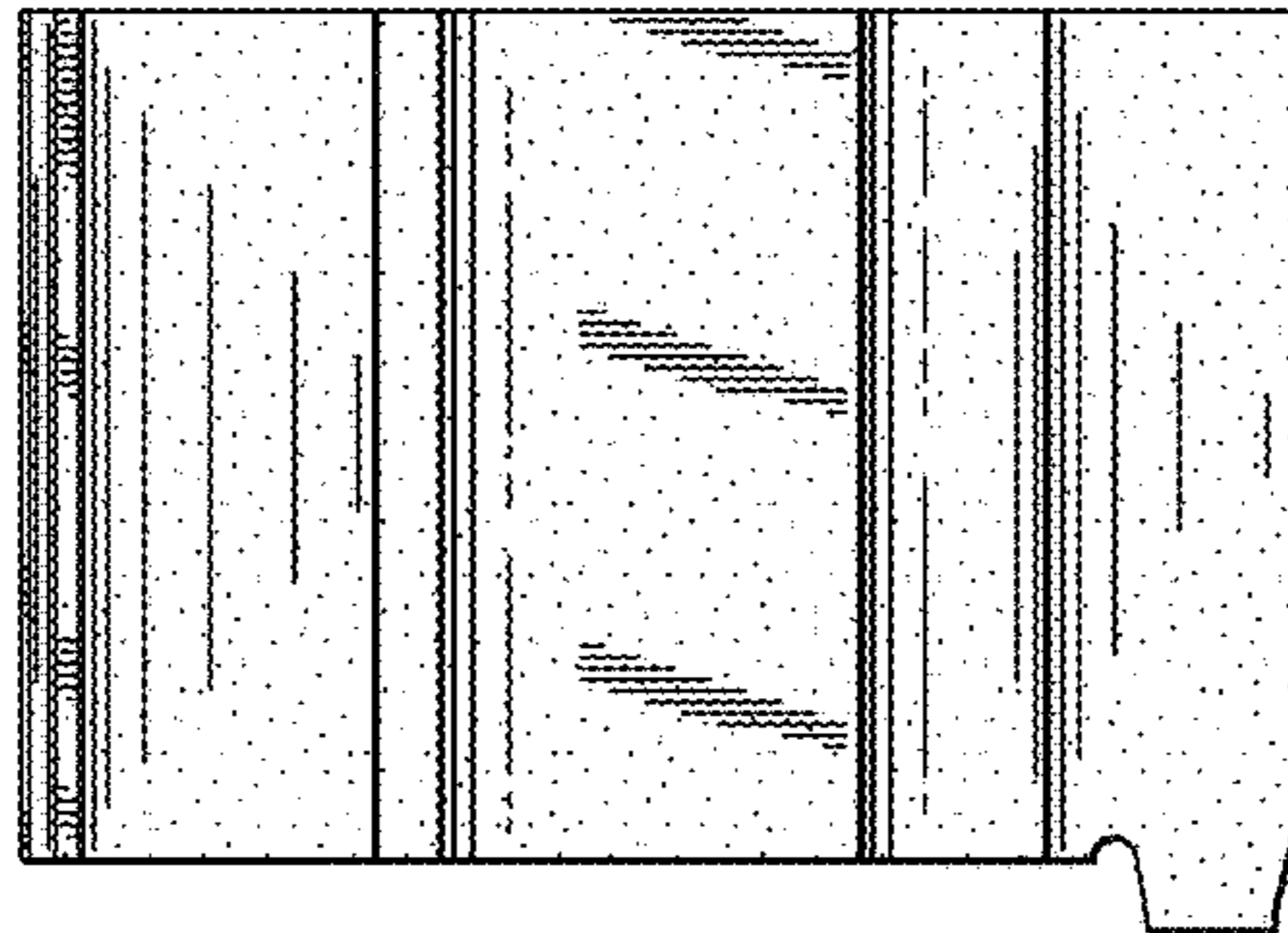
*Fig. 2*



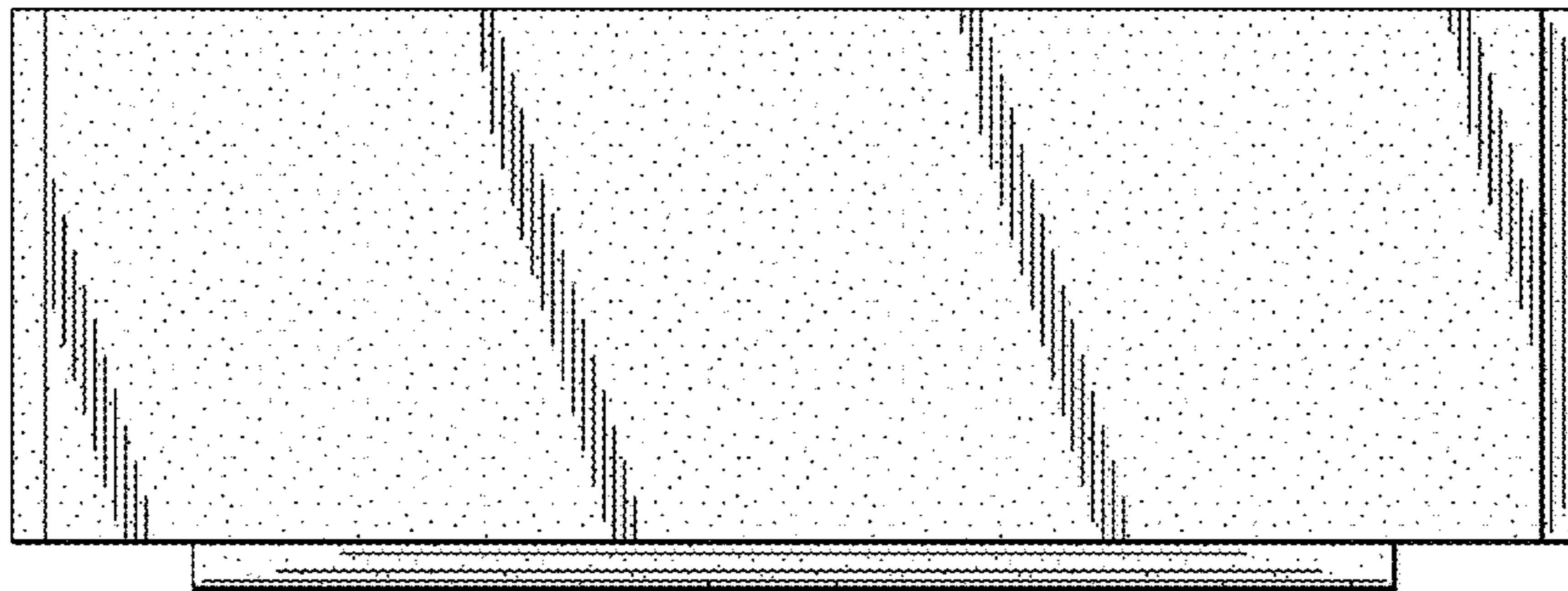
*Fig. 3*



*Fig. 4*

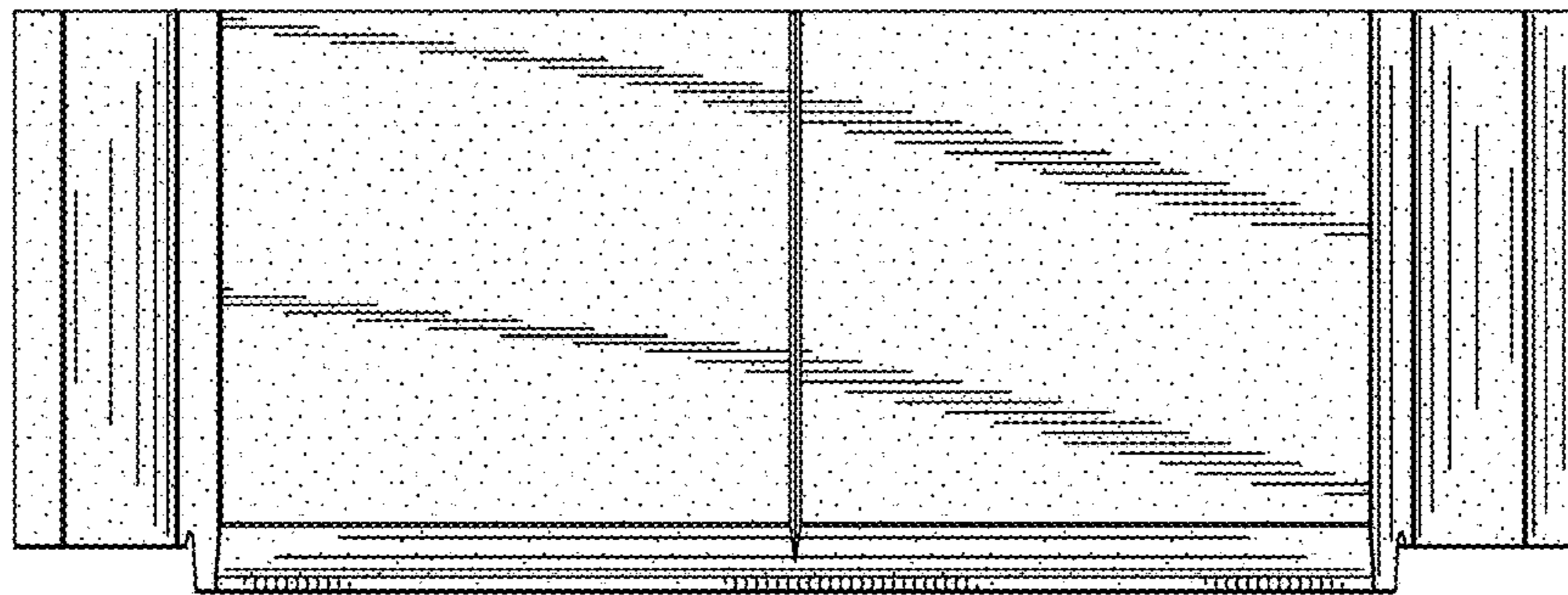


*Fig. 5*



*Fig. 6*





*Fig. 7*