



US00D846759S

(12) **United States Design Patent** (10) **Patent No.:** **US D846,759 S**
Steadly (45) **Date of Patent:** **** Apr. 23, 2019**

(54) **GLASS TILE**

FOREIGN PATENT DOCUMENTS

(71) Applicant: **Carl Steadly**, Honolulu, HI (US)

WO D011653-007 * 11/1988

(72) Inventor: **Carl Steadly**, Honolulu, HI (US)

OTHER PUBLICATIONS

(**) Term: **15 Years**

<http://lunadabaytile.duehrandassociates.com/luce-collection/> Posted Apr. 4, 2017 (Year: 2017).*

(21) Appl. No.: **29/606,123**

<https://lunadabaytile.wordpress.com/category/new-products/> Posted Feb. 14, 2018 (Year: 2018).*

(22) Filed: **Jun. 1, 2017**

http://www.lunadabaytile.com/new_products/pdf/introducing_luce.pdf Last modified Sep. 28, 2017 (Year: 2017).*

(51) **LOC (11) Cl.** **25-01**

<https://www.tile-magazine.com/articles/88866-lunada-bay-tile-unveils-new-shapes-for-luce-glass-mosaic-collection> Posted Dec. 1, 2017 (Year: 2017).*

(52) **U.S. Cl.**

USPC **D25/103**

(58) **Field of Classification Search**

USPC D21/478-480, 484, 500, 503, 504, 505;
D25/103, 109, 110, 112-118, 138-141,
D25/143, 144, 157-162

* cited by examiner

CPC E04F 13/14; E04F 13/145; E04F 13/15;
E04F 13/0862; Y10S 524/925; E04C
1/42; C03B 11/14; C03B 19/02

Primary Examiner — Leanne Was-Englehart

(74) *Attorney, Agent, or Firm* — Irving Keschner

See application file for complete search history.

(57) **CLAIM**

The ornamental design for a glass tile, as shown.

(56) **References Cited**

DESCRIPTION

U.S. PATENT DOCUMENTS

1,855,987 A * 4/1932 Rammer E04B 2/04
52/604
D352,559 S * 11/1994 Krueger D25/113
D416,633 S * 11/1999 Horton D25/138
D629,849 S * 12/2010 Kojima D21/484
D663,861 S * 7/2012 Thomassen D25/113
D717,970 S * 11/2014 MacDonald B28B 7/0041
D25/113
D729,437 S * 5/2015 Hillstrom D25/103
D729,438 S * 5/2015 Hillstrom D25/103
D777,459 S * 1/2017 Parshad D6/332

FIG. 1 is a top perspective view of the tile of the present invention;

FIG. 2 is a top plan view of the design shown in FIG. 1;

FIG. 3 is a bottom view of the design shown in FIG. 1;

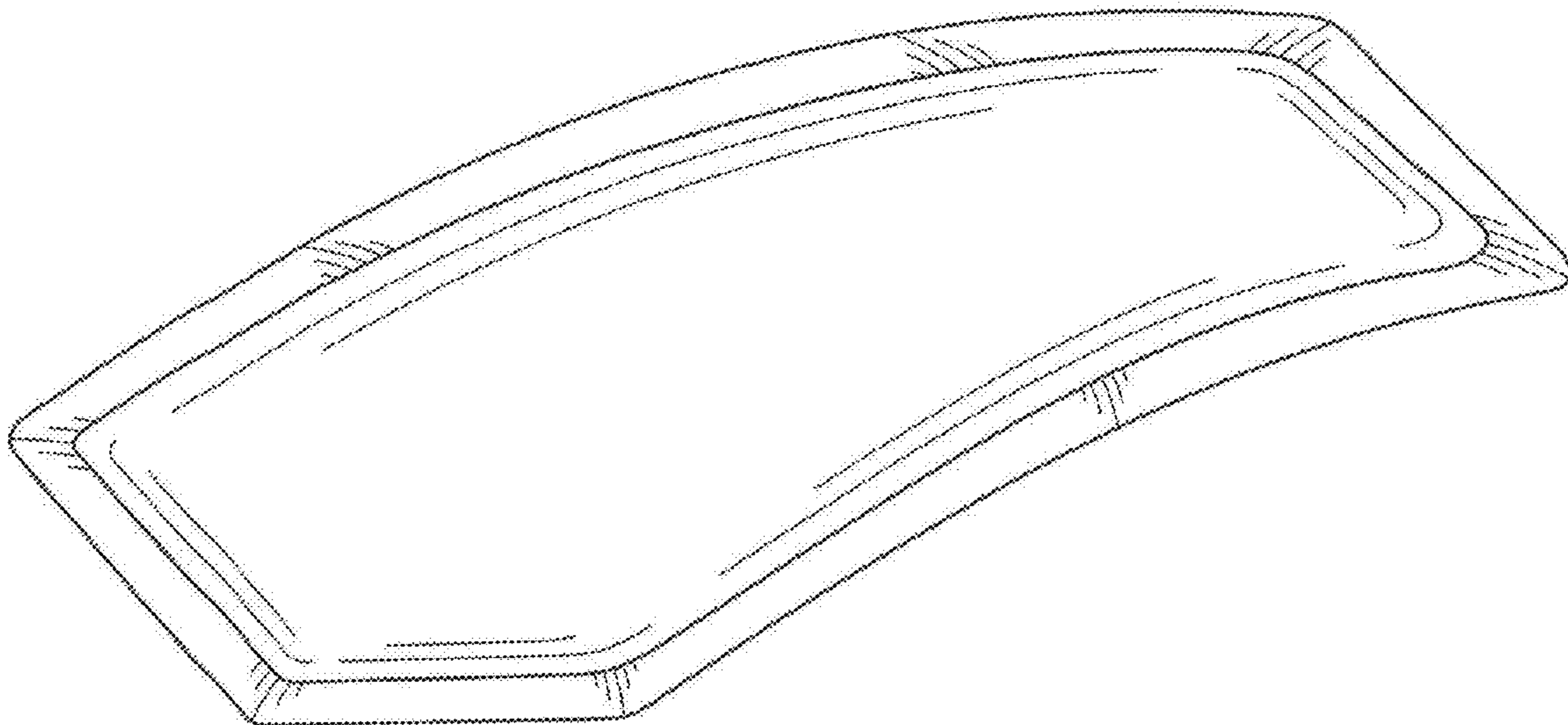
FIG. 4 is a right side view of the design shown in FIG. 1;

FIG. 5 is a left side view of the design shown in FIG. 1;

FIG. 6 is a front view of the design of the present invention; and,

FIG. 7 is a rear view of the design of the present invention.

1 Claim, 5 Drawing Sheets



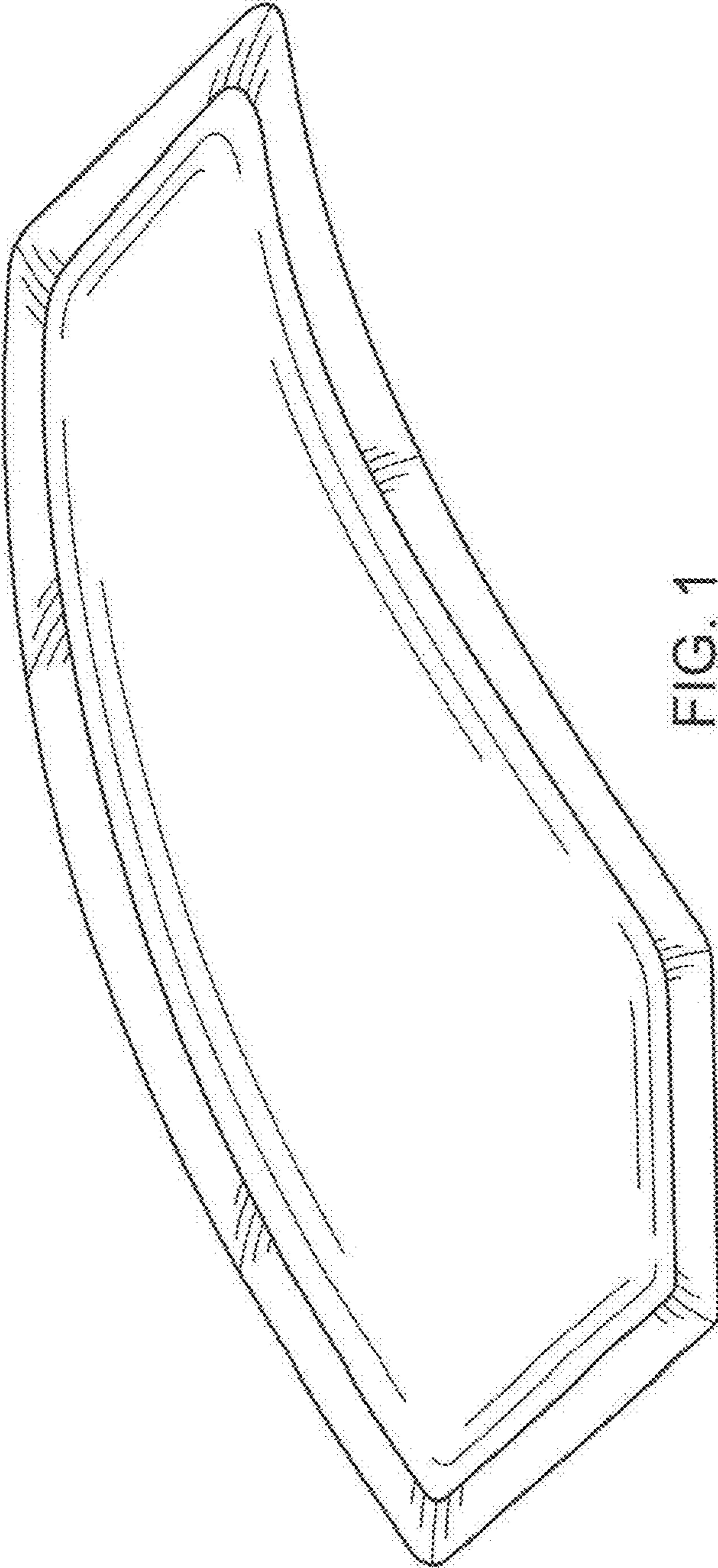


FIG. 1

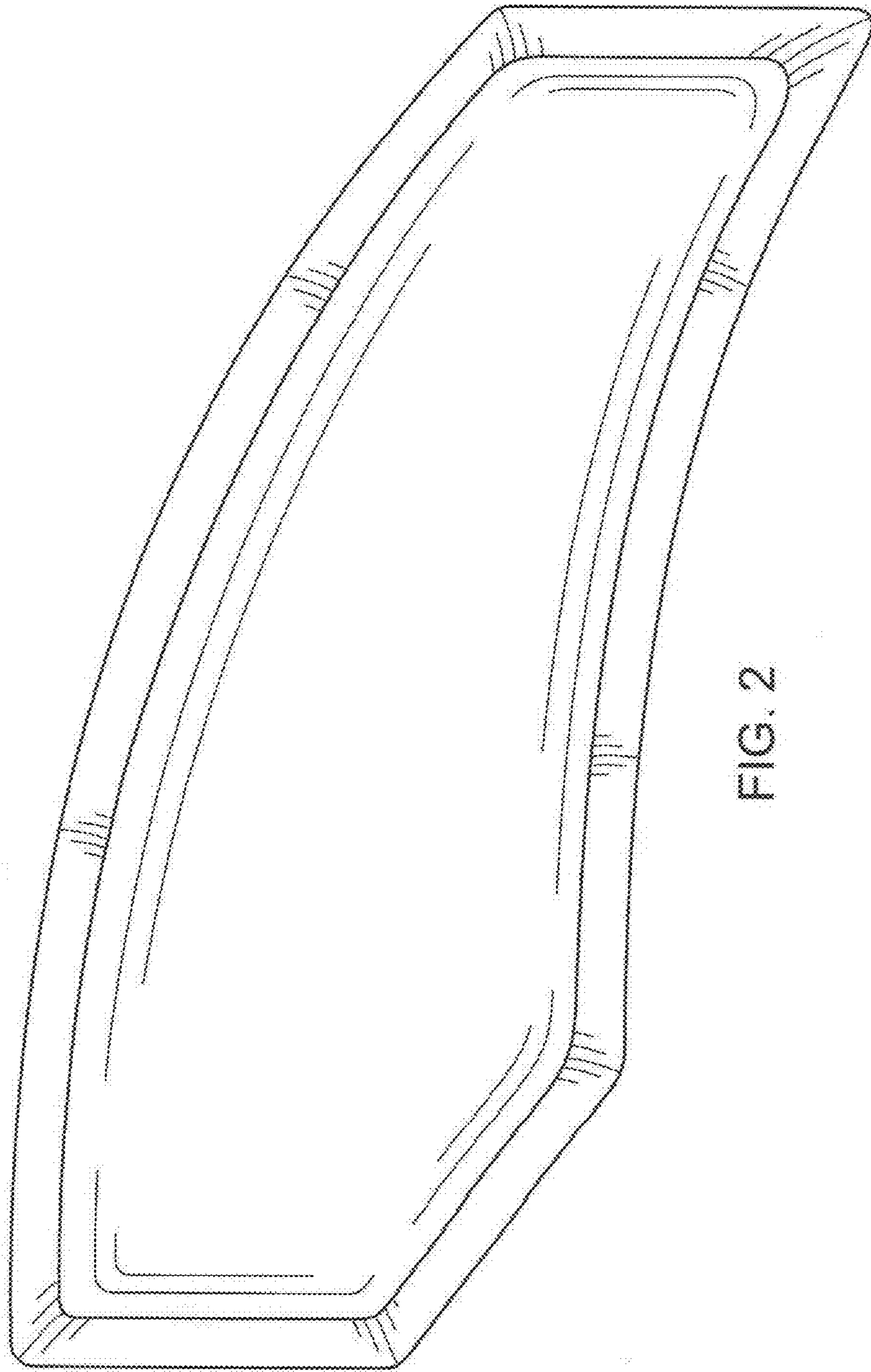


FIG. 2

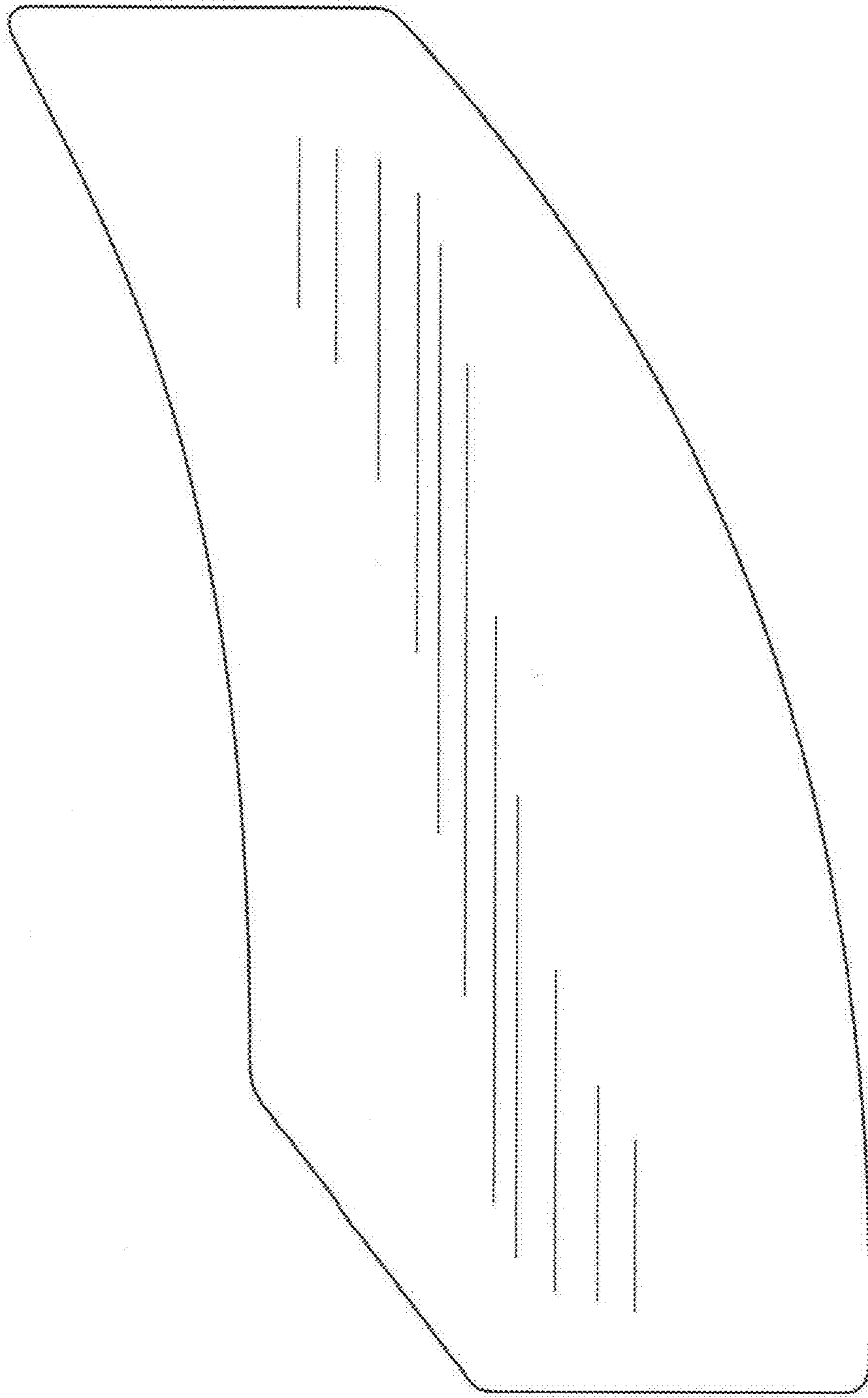


FIG. 3

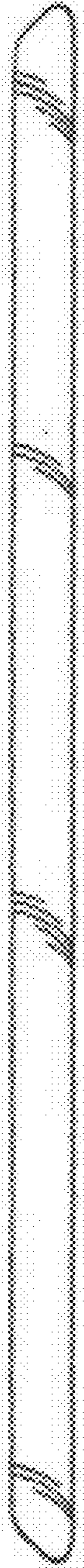


FIG. 4

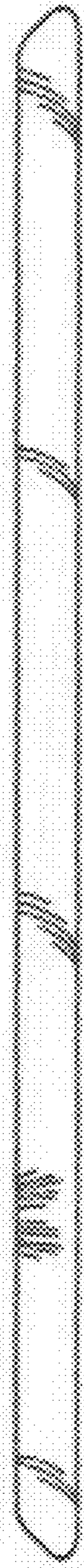


FIG. 5



FIG. 6

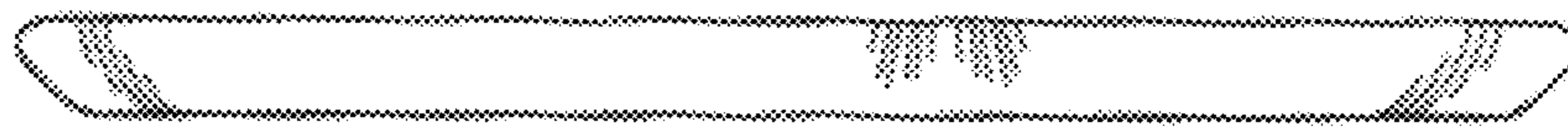


FIG. 7