

US00D846756S

(12) **United States Design Patent**
Lacy et al.

(10) **Patent No.:** **US D846,756 S**

(45) **Date of Patent:** **** Apr. 23, 2019**

(54) **POLE CLAMP FOR MEDICAL DEVICE**

(71) Applicant: **Smiths Medical ASD, Inc.**, Plymouth, MN (US)

(72) Inventors: **Christopher Lacy**, Arden Hills, MN (US); **Kevin Krautbauer**, Saint Paul, MN (US)

(73) Assignee: **Smiths Medical ASD, Inc.**, Plymouth, MN (US)

(**) Term: **15 Years**

(21) Appl. No.: **29/586,206**

(22) Filed: **Dec. 1, 2016**

(51) **LOC (11) Cl.** **24-99**

(52) **U.S. Cl.**
USPC **D24/231**

(58) **Field of Classification Search**
USPC D24/231, 191, 227, 128, 111, 185, 130, D24/131; D6/705, 681.3, 515; D9/455; D7/620, 553.3

CPC A47B 57/54; A61M 25/02; A61M 5/1413; A61M 5/1415; B25H 1/04; A61G 7/05

See application file for complete search history.

(56) **References Cited**

U.S. PATENT DOCUMENTS

4,511,158	A *	4/1985	Varga	A61G 7/05
					248/229.11
4,756,706	A	7/1988	Kerns et al.		
4,905,944	A *	3/1990	Jost	A61M 5/1415
					248/125.8
4,921,199	A *	5/1990	Villaveces	A61M 25/02
					248/314
D314,433	S *	2/1991	Frantz	D24/111
5,114,023	A *	5/1992	Lavin	A47B 57/54
					211/107
5,170,817	A *	12/1992	Sunderland	A61M 5/1413
					128/DIG. 12
D346,655	S *	5/1994	Harris	D24/128

D379,042	S *	5/1997	Meisner	D6/705
5,733,061	A	3/1998	Child		
D401,690	S *	11/1998	Simm	D24/131
D410,846	S *	6/1999	Leong	D9/455

(Continued)

FOREIGN PATENT DOCUMENTS

CN	103083755	B	7/2015
EP	0477551	B1	1/1995

(Continued)

OTHER PUBLICATIONS

International Search Report and Written Opinion from PCT Application PCT/US2018/028093, dated Aug. 3, 2018, 11 pgs.

Primary Examiner — Rhea Shields

(74) *Attorney, Agent, or Firm* — Patterson Thuent Pedersen, P.A.

(57) **CLAIM**

We claim the ornamental design for a pole clamp for medical device, as shown and described.

DESCRIPTION

FIG. 1 is a front right perspective view of a pole clamp for medical device.

FIG. 2 is a front elevation view thereof.

FIG. 3 is a rear elevation view thereof.

FIG. 4 is a left side elevation view thereof.

FIG. 5 is a right side elevation view thereof.

FIG. 6 is a top plan view thereof.

FIG. 7 is a bottom plan view thereof.

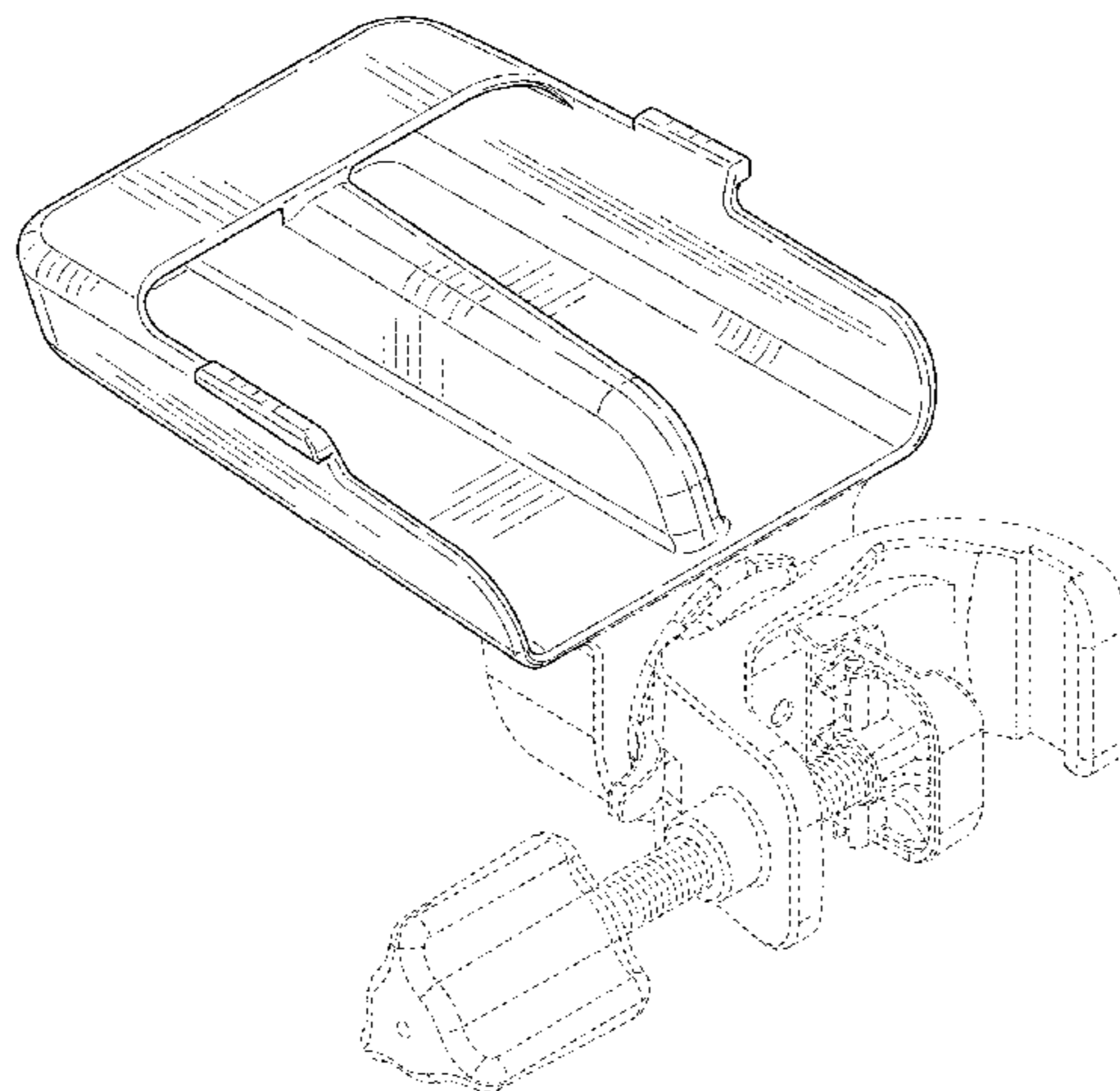
FIG. 8 is a rear left perspective view thereof.

FIG. 9 is another perspective view thereof; and,

FIG. 10 is a further perspective view thereof.

In the drawings, the broken lines are for the purpose of illustrating environment only and form no part of the claimed design.

1 Claim, 9 Drawing Sheets



(56)

References Cited

U.S. PATENT DOCUMENTS

6,277,109 B1 8/2001 Harper et al.
 6,290,694 B1 9/2001 Harper et al.
 6,593,528 B2 7/2003 Franklin-Lees et al.
 D547,863 S * 7/2007 Heinsch D24/128
 7,556,616 B2 7/2009 Fathallah et al.
 D616,250 S * 5/2010 Peyton D7/553.3
 D628,299 S * 11/2010 Held D24/185
 D642,402 S * 8/2011 Rickard D6/681.3
 8,011,629 B2 9/2011 Herkovic
 8,047,482 B2 11/2011 Poncon et al.
 D660,102 S * 5/2012 Allred D7/620
 8,167,259 B2 5/2012 Spang, Jr. et al.
 8,256,984 B2 9/2012 Fathallah et al.
 8,336,839 B2 12/2012 Boccoleri et al.
 8,459,602 B2 6/2013 Herkovic
 D692,132 S * 10/2013 Damron D24/128
 D698,448 S * 1/2014 Heck D24/191
 8,695,957 B2 4/2014 Quintania et al.
 9,295,778 B2 3/2016 Kamen et al.
 9,321,168 B2 * 4/2016 Brassette B25H 1/04
 9,341,308 B2 5/2016 Lacy
 D762,300 S * 7/2016 Breitweiser D24/128
 9,744,300 B2 8/2017 Kamen et al.
 D799,025 S 10/2017 Johnson et al.
 D816,864 S * 5/2018 Lacy D24/227
 D828,551 S * 9/2018 Zou D24/130
 D836,205 S * 12/2018 Gonzalez D24/185
 D836,940 S * 1/2019 Pena D6/515
 2002/0134570 A1 9/2002 Franklin-Lees et al.

2007/0219495 A1 9/2007 Kato et al.
 2007/0267556 A1 11/2007 Herkovic
 2010/0065700 A1 3/2010 Poncon et al.
 2010/0252702 A1 10/2010 Spang, Jr. et al.
 2010/0258690 A1 10/2010 Kleitsch et al.
 2010/0314517 A1 12/2010 Patzer
 2013/0184676 A1 7/2013 Kamen et al.
 2013/0324929 A1 12/2013 Mochizuki et al.
 2014/0046296 A1 2/2014 Clarke
 2014/0259837 A1 9/2014 Belliveau et al.
 2014/0294496 A1 10/2014 Gardiner
 2014/0321096 A1 10/2014 Kajackas
 2015/0001285 A1 1/2015 Halbert et al.
 2015/0041419 A1 2/2015 Hasegawa
 2015/0190567 A1 7/2015 Asama et al.
 2015/0224252 A1 8/2015 Borges et al.
 2017/0266389 A1 9/2017 McLoughlin et al.

FOREIGN PATENT DOCUMENTS

EP 1233799 B1 2/2006
 EP 3067077 A1 9/2016
 JP 2004305280 A 11/2004
 JP D1247382 8/2005
 JP 2007/125248 5/2007
 JP 4939707 B2 5/2012
 JP D1491891 3/2014
 JP 3200476 9/2015
 RU 00059734 7/2006
 WO WO 2015/108844 7/2015

* cited by examiner

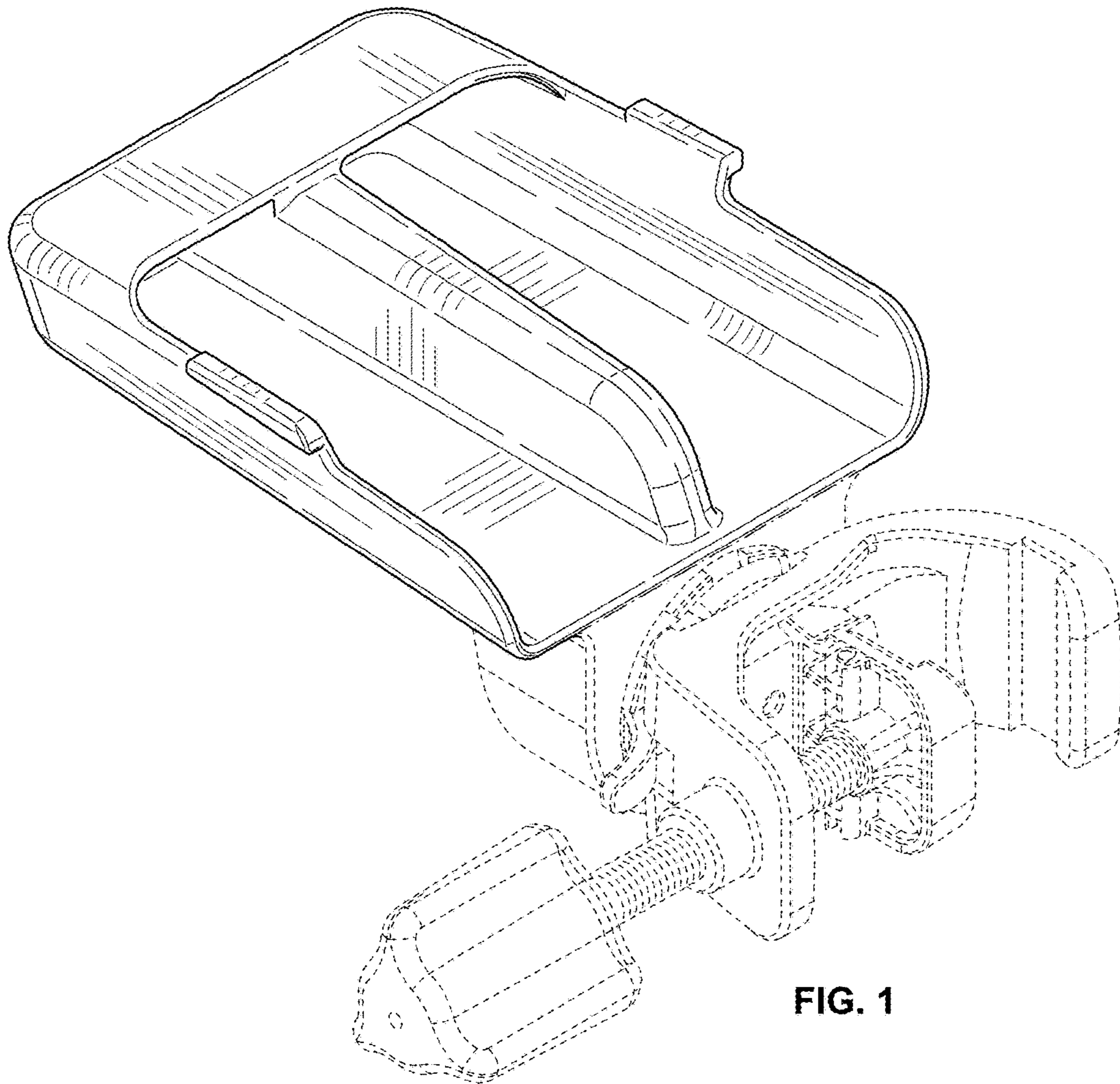


FIG. 1

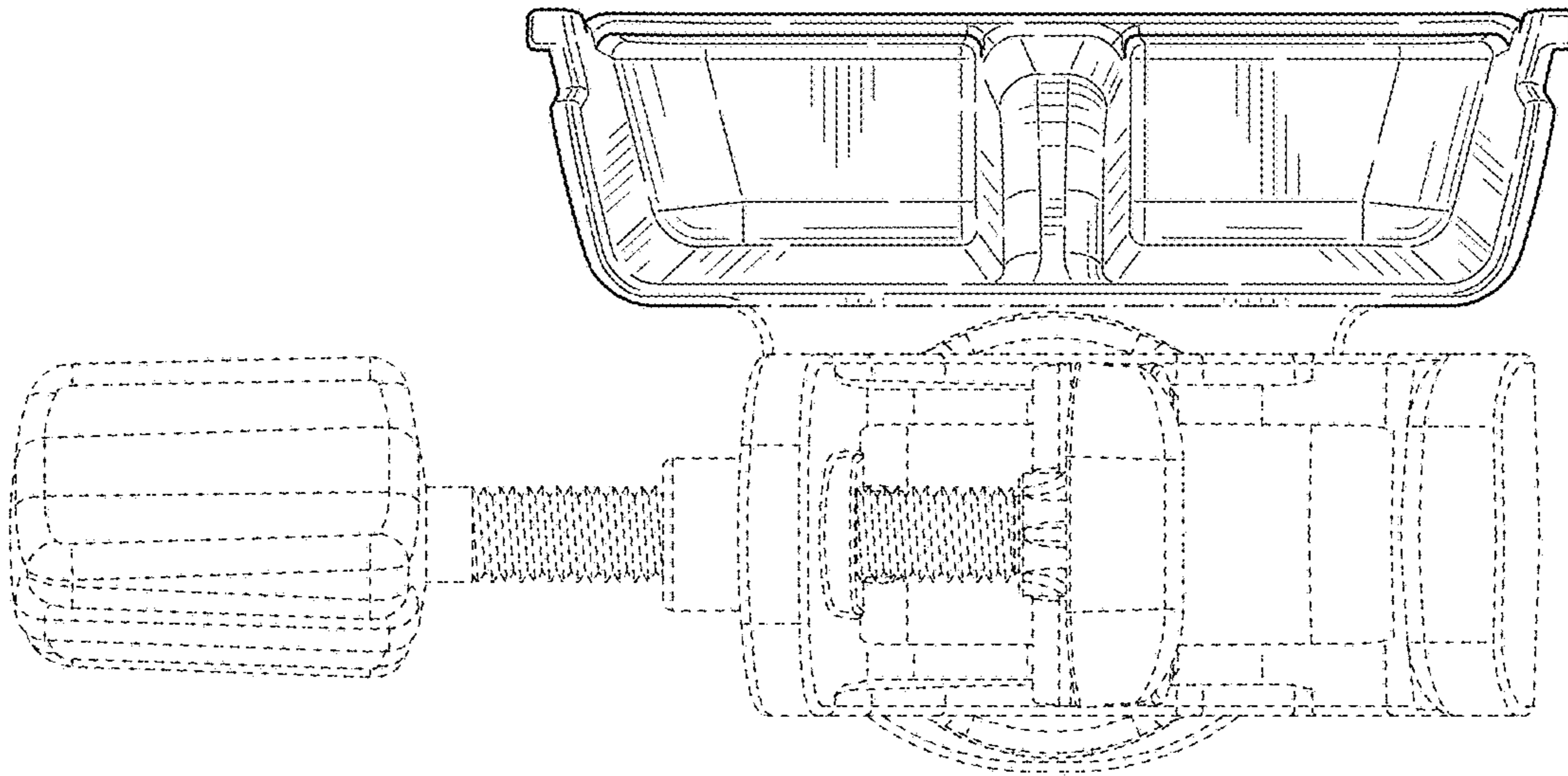


FIG. 2

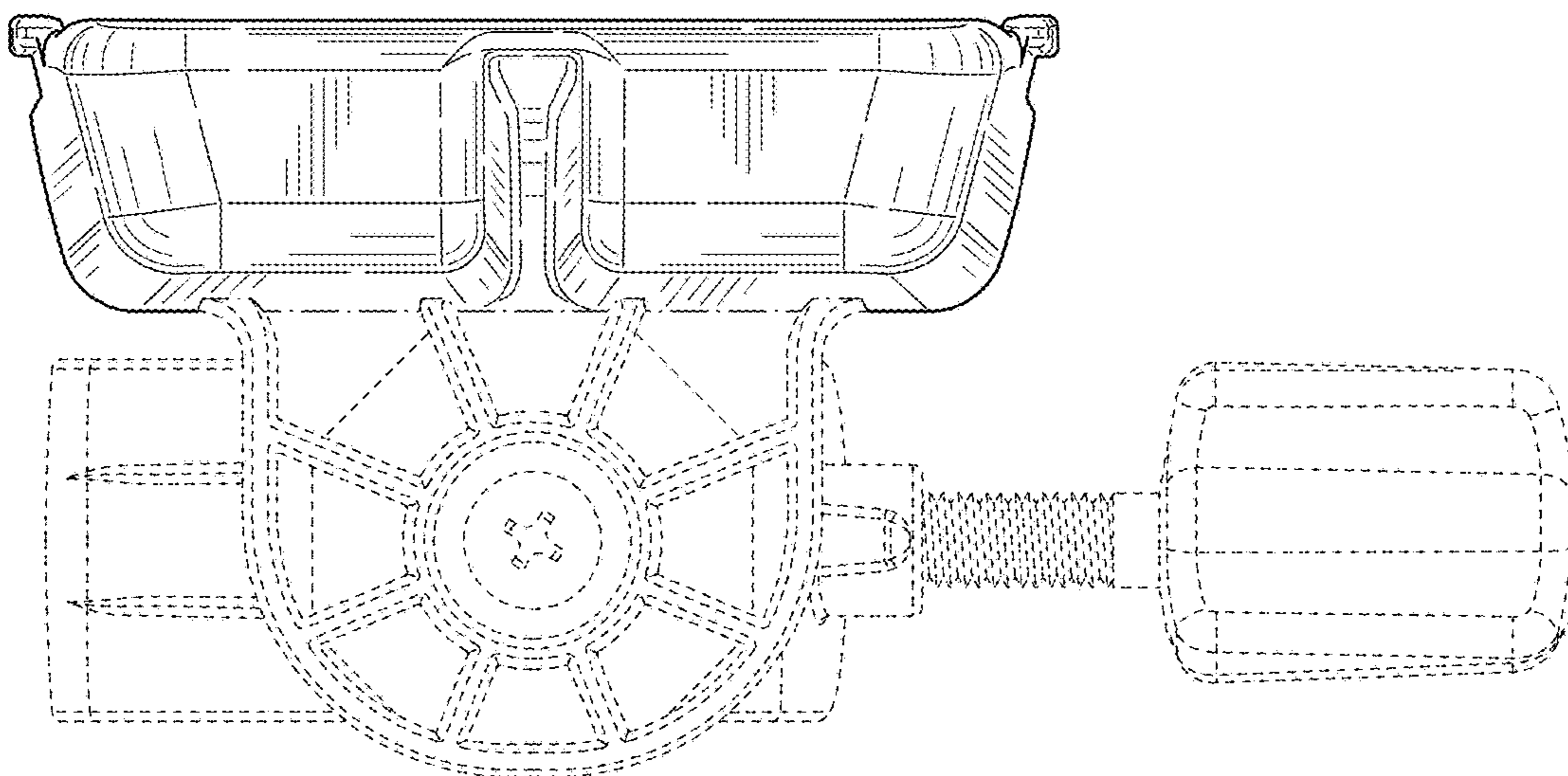


FIG. 3

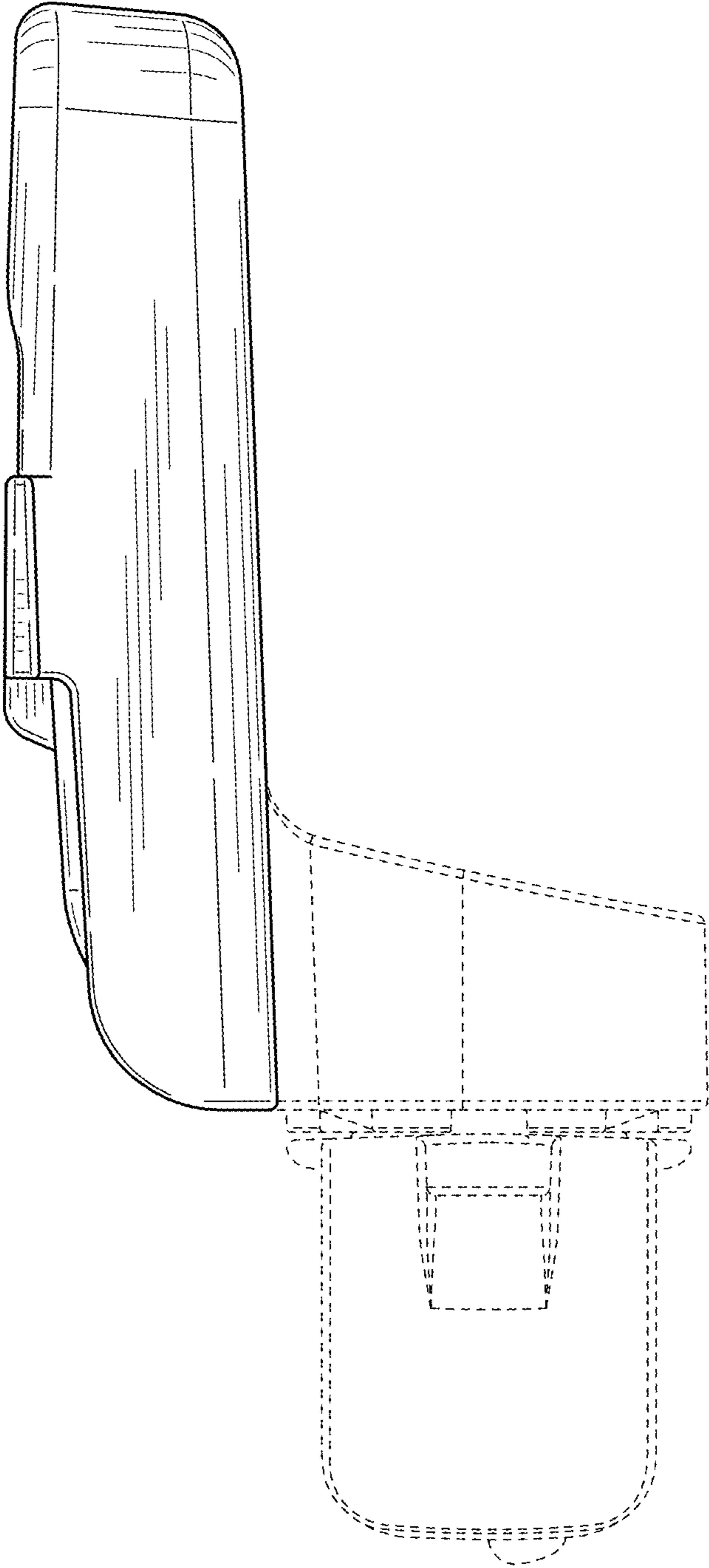


FIG. 4

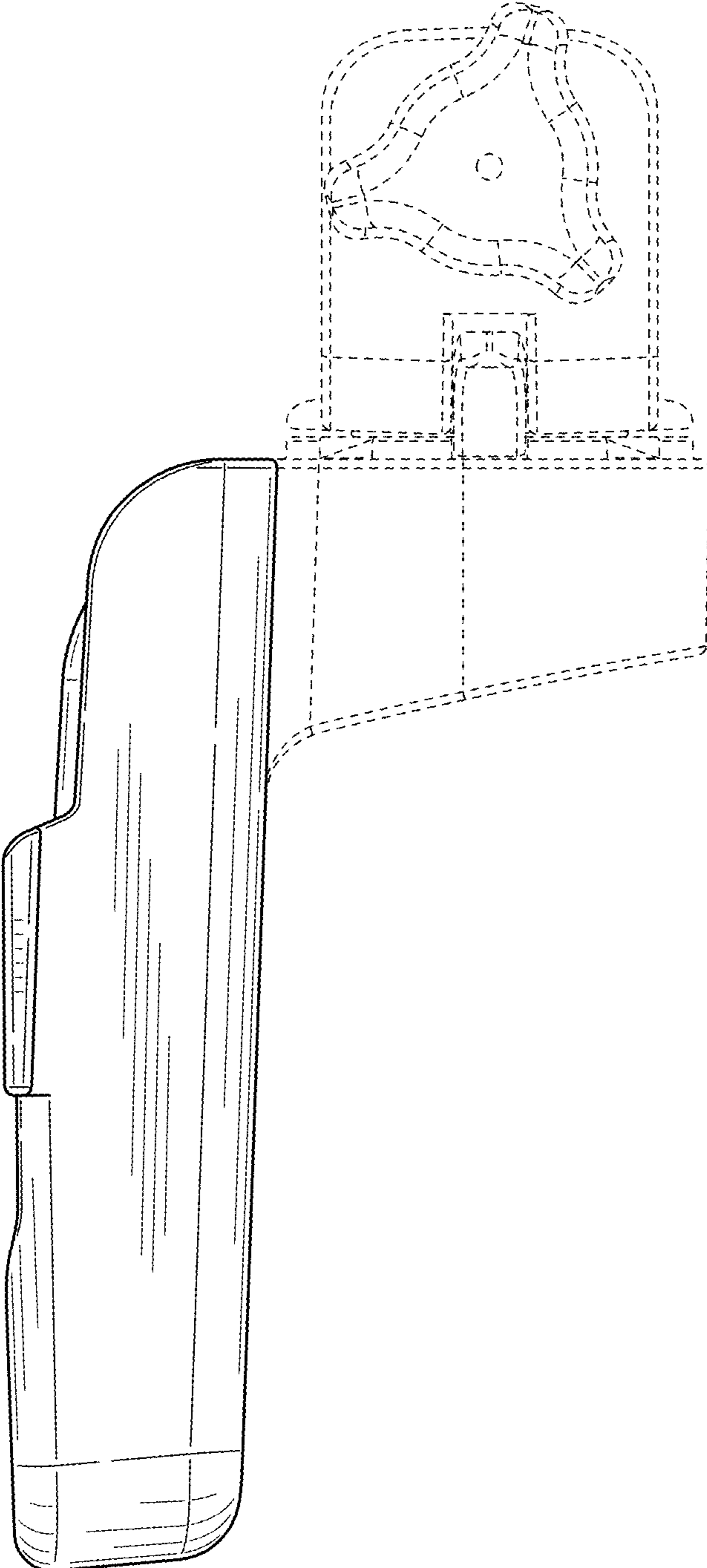


FIG. 5

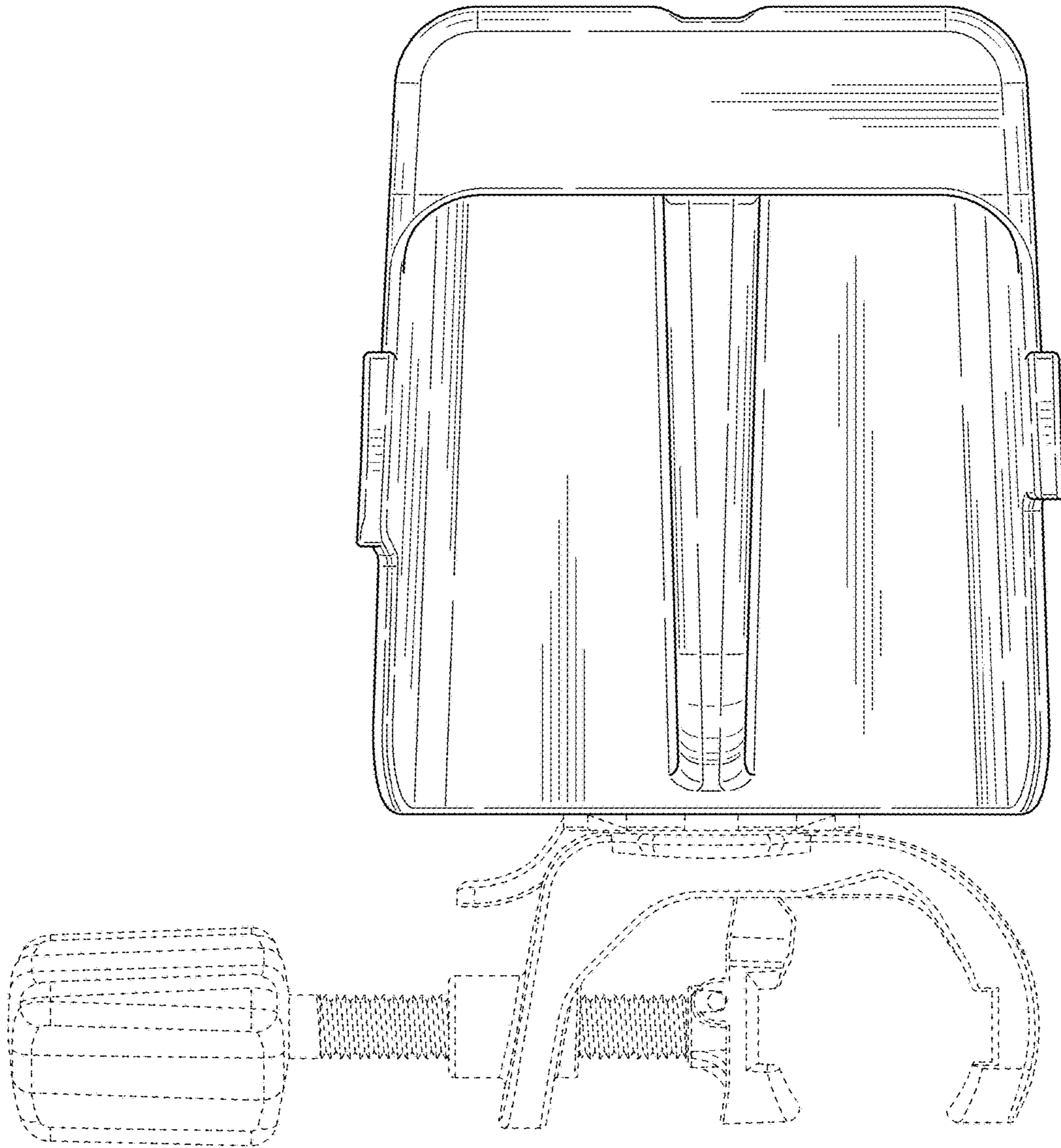


FIG. 6

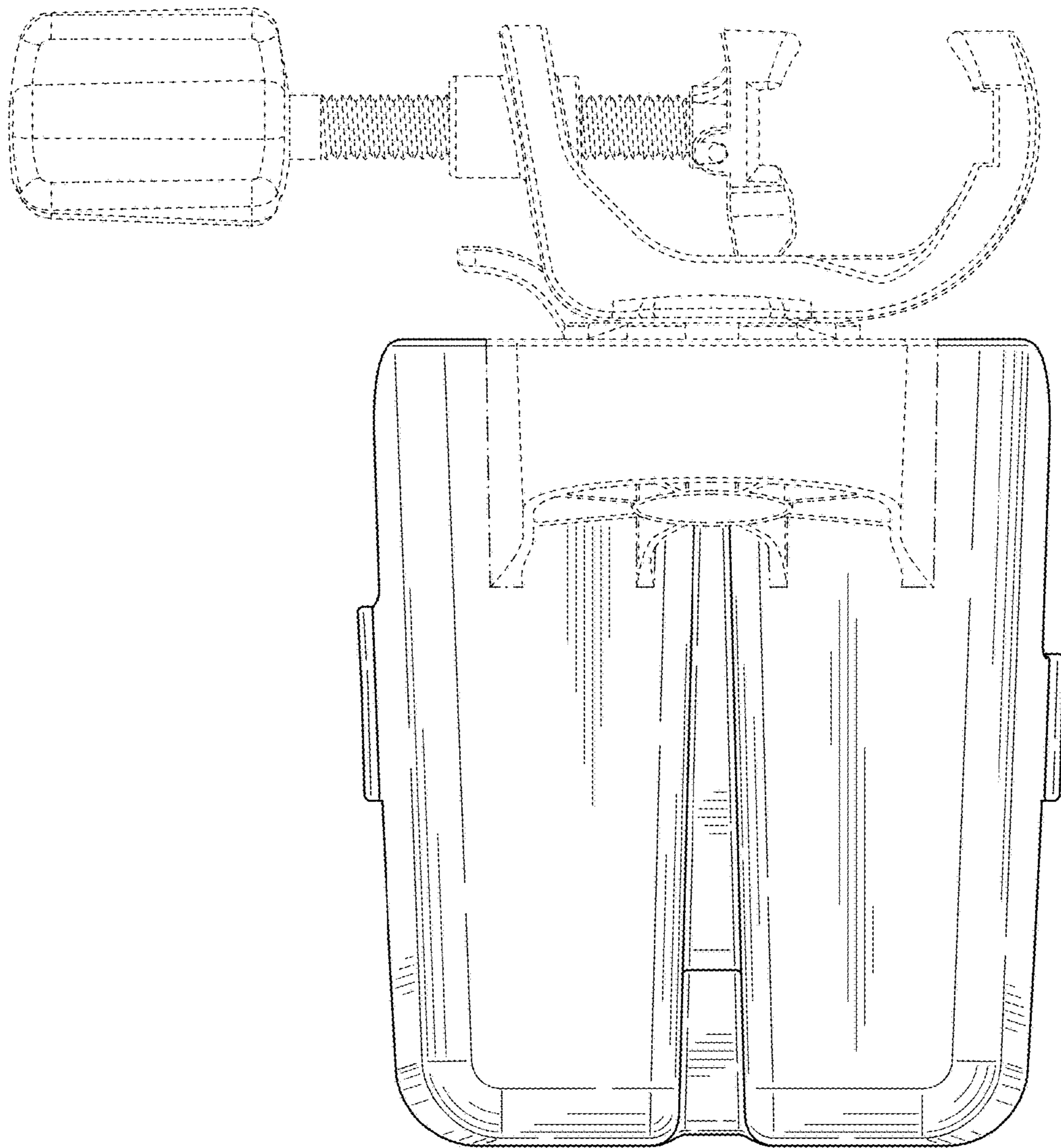


FIG. 7

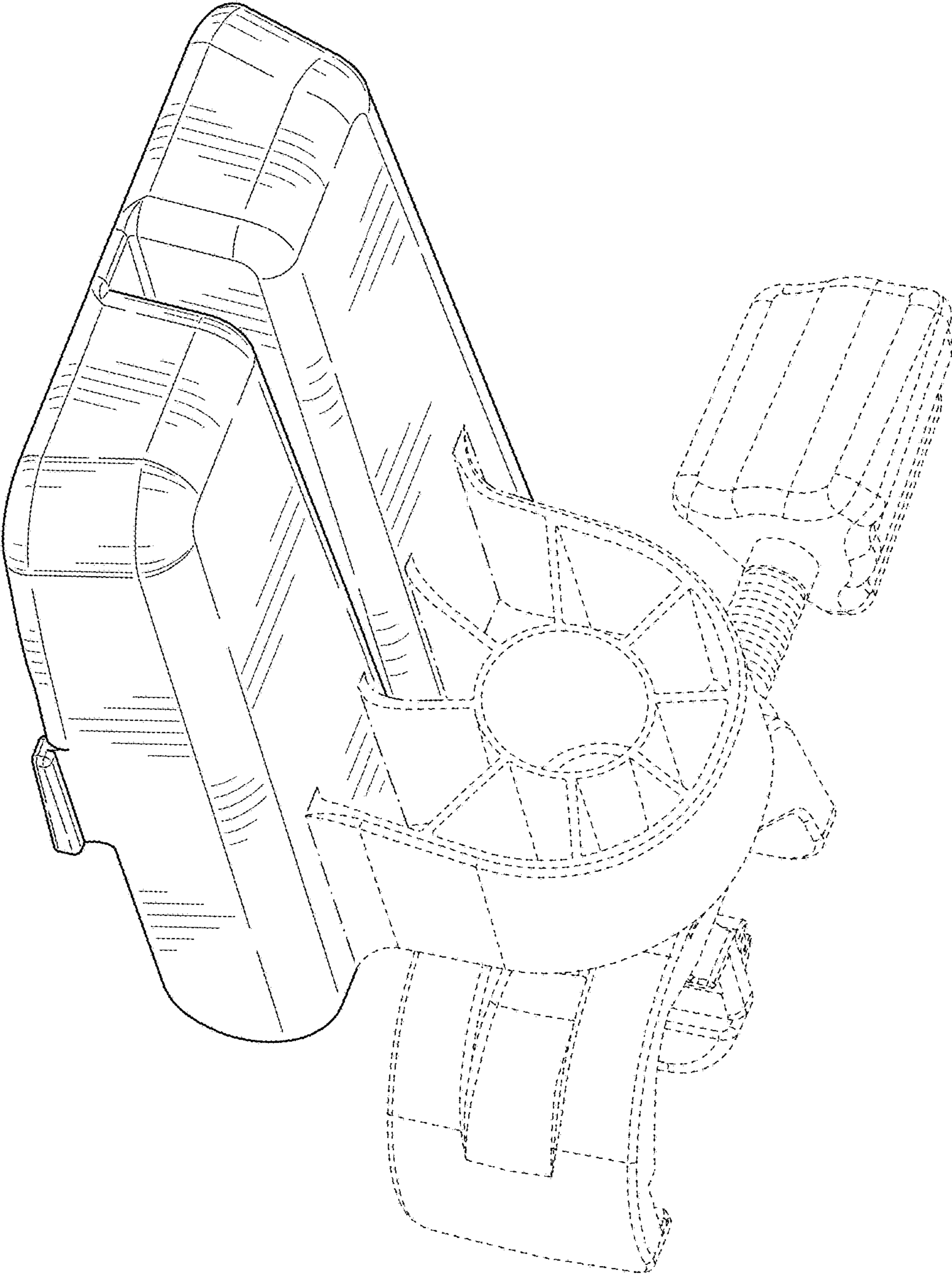


FIG. 8

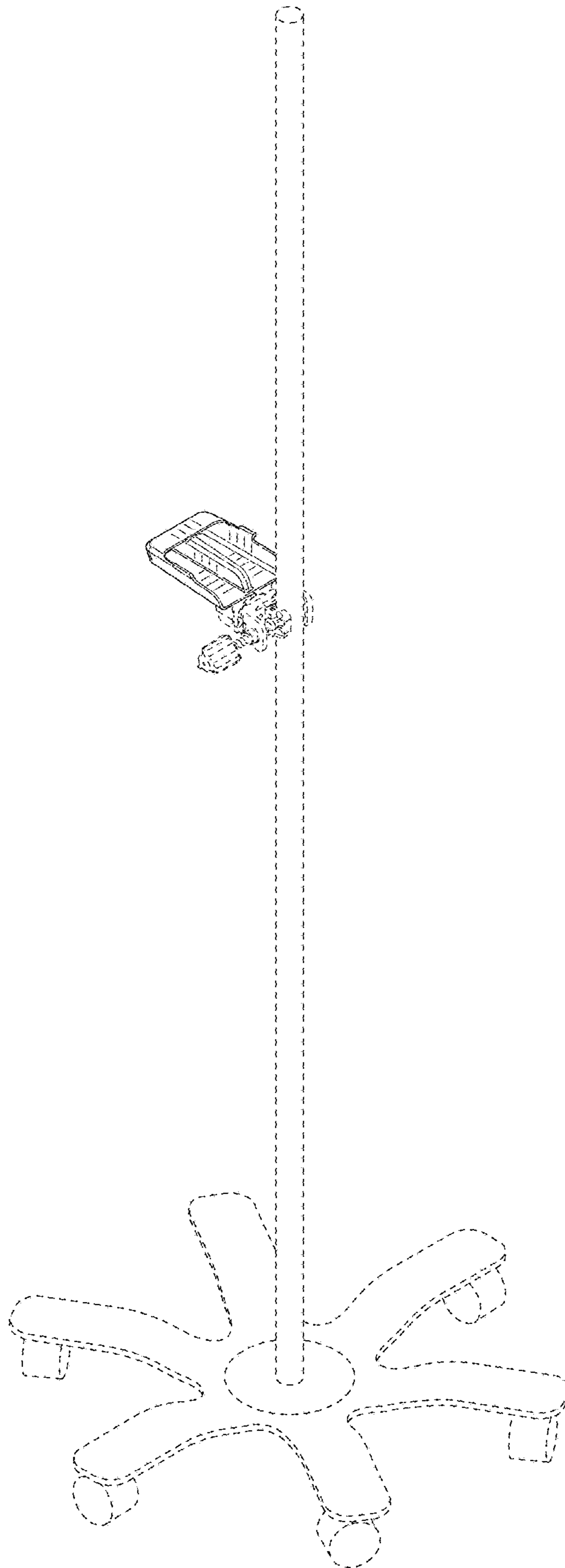


FIG. 9

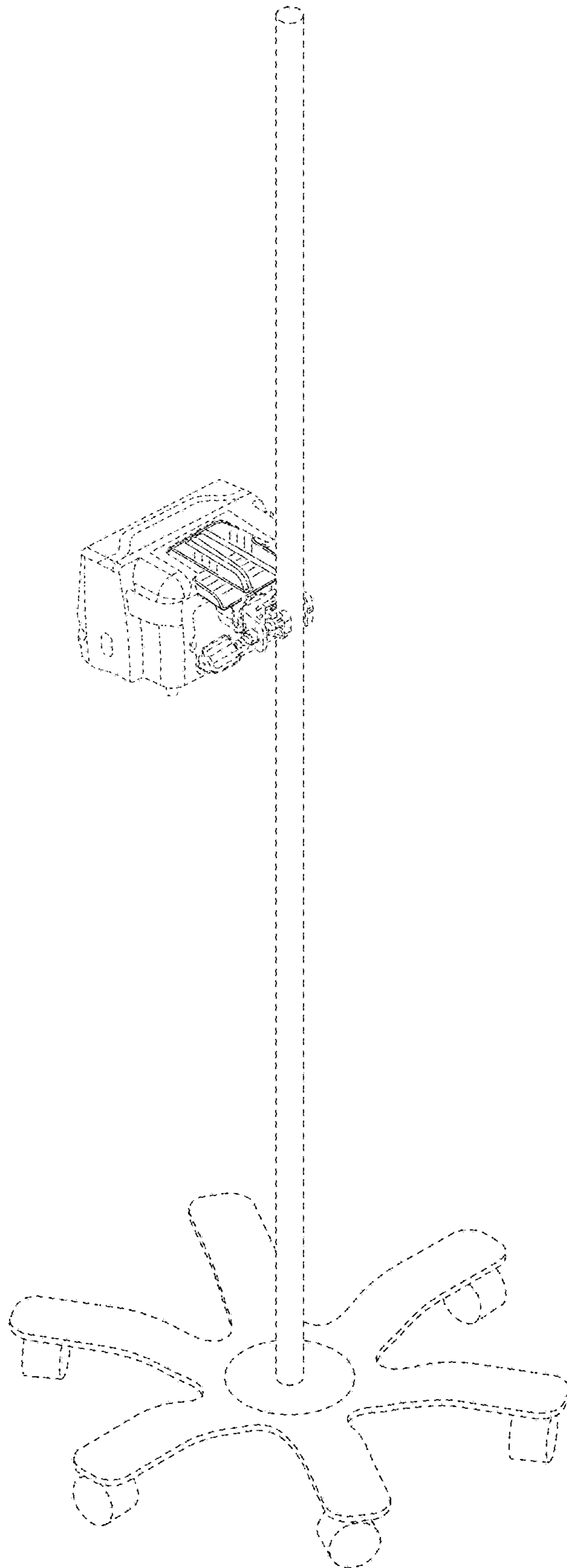


FIG. 10