

US00D846752S

(12) **United States Design Patent**  
**Zhou**

(10) **Patent No.:** **US D846,752 S**

(45) **Date of Patent:** **\*\* Apr. 23, 2019**

(54) **FOOT MASSAGER**

(56) **References Cited**

(71) Applicant: **ZHEJIANG RIFENG ELECTRICAL APPLIANCE CO., LTD**, Wenzhou, Zhejiang Province (CN)

(72) Inventor: **Weifeng Zhou**, Wenzhou (CN)

(73) Assignee: **ZHEJIANG RIFENG ELECTRICAL APPLIANCE CO., LTD (CN)**

(\*\*) Term: **15 Years**

(21) Appl. No.: **29/564,703**

(22) Filed: **May 15, 2016**

(30) **Foreign Application Priority Data**

Mar. 21, 2016 (CN) ..... 2016 3 0081697

(51) **LOC (11) Cl.** ..... **28-03**

(52) **U.S. Cl.**  
USPC ..... **D24/213**

(58) **Field of Classification Search**

USPC ..... D24/200, 211, 212, 213, 214, 215;  
601/19, 22, 27-32, 46, 52, 99, 112, 113,  
601/118, 125, 143, DIG. 12, DIG. 14,  
601/DIG. 15, DIG. 16, DIG. 17  
CPC ..... A61H 1/0266; A61H 2015/0007; A61H  
2015/0014; A61H 2015/0042; A61H  
2015/0035; A61H 15/00; A61H 7/003;  
A61H 7/005; A61H 7/00; A61H  
2001/027; A61H 11/00; A61H 19/00;  
A61H 19/30; A61H 19/32; A61H 19/34;  
A61H 19/40; A61H 19/44; A61H 19/50;  
A61H 21/00

See application file for complete search history.

U.S. PATENT DOCUMENTS

D524,947 S *	7/2006	Gleason	.....	D24/213
D535,402 S *	1/2007	Lifeng	.....	D24/200
D535,751 S *	1/2007	Lifeng	.....	D24/200
D543,127 S *	5/2007	Daas	.....	D11/16
D548,353 S *	8/2007	Maesawa	.....	D24/212
D584,826 S *	1/2009	Ng	.....	D24/213
D590,065 S *	4/2009	Yuyama	.....	D24/212
D648,859 S *	11/2011	Ng	.....	D24/212
2004/0243029 A1 *	12/2004	Shimizu	.....	A61H 23/02 601/90

\* cited by examiner

*Primary Examiner* — Sandra S Snapp

(74) *Attorney, Agent, or Firm* — PROI Intellectual Property US

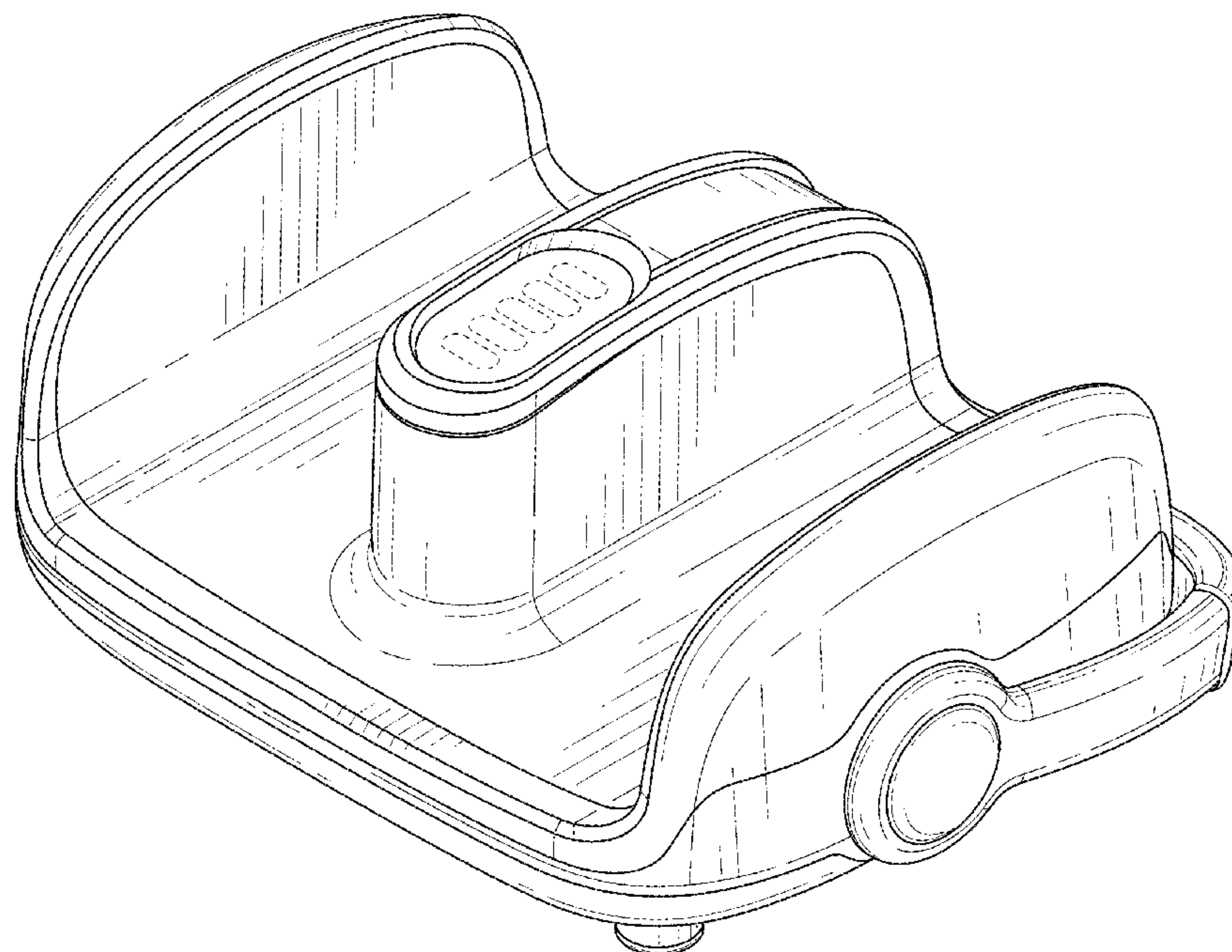
(57) **CLAIM**

The ornamental design for a foot massager, as shown and described.

**DESCRIPTION**

FIG. 1 is a perspective view of a foot massager;  
FIG. 2 is a front view thereof;  
FIG. 3 is a rear view thereof;  
FIG. 4 is a top view thereof;  
FIG. 5 is a bottom view thereof;  
FIG. 6 is a right side view thereof; and,  
FIG. 7 is a left side view thereof.  
Broken lines are used to illustrate features of the foot massager which form no part of the claimed design.

**1 Claim, 7 Drawing Sheets**



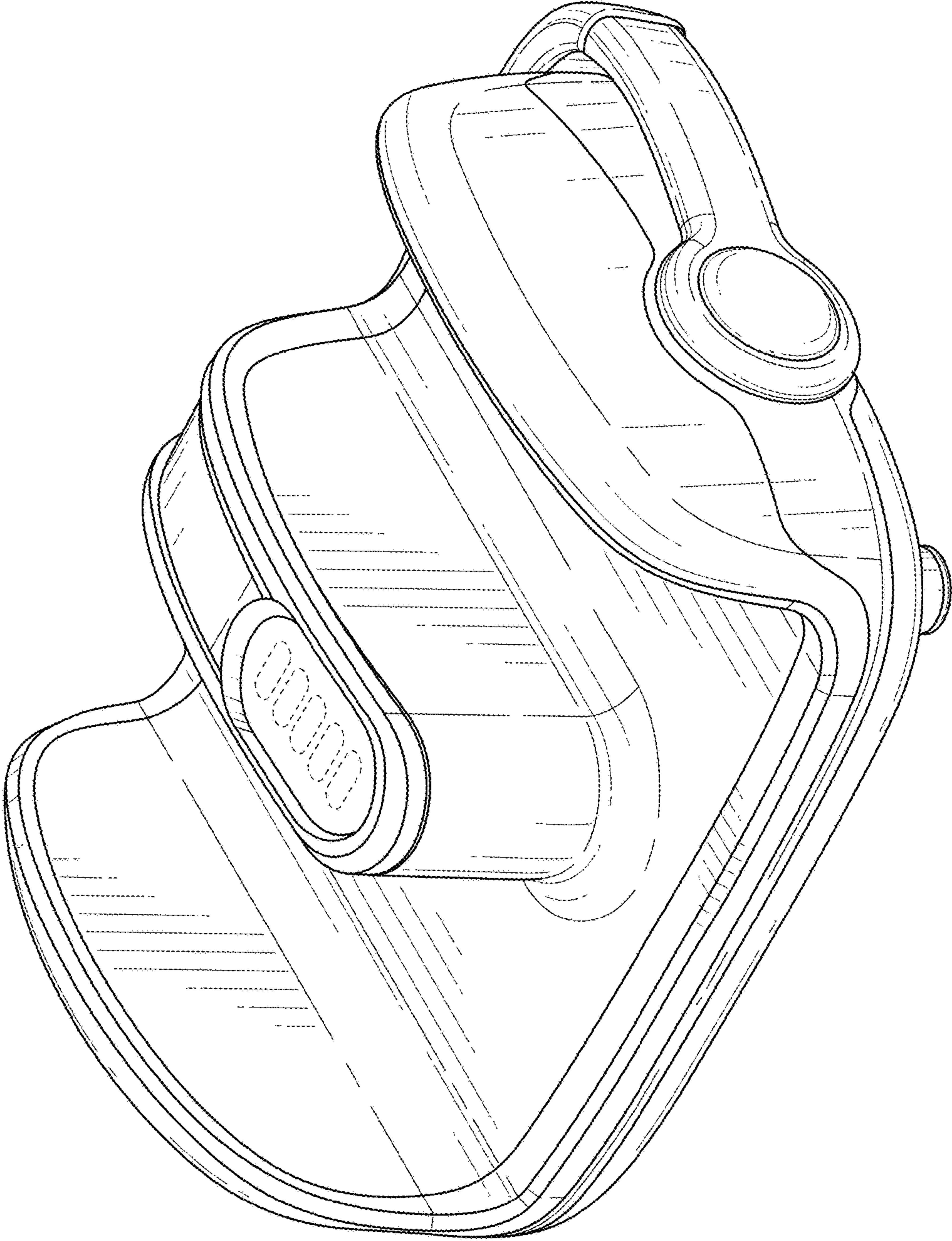


FIG. 1

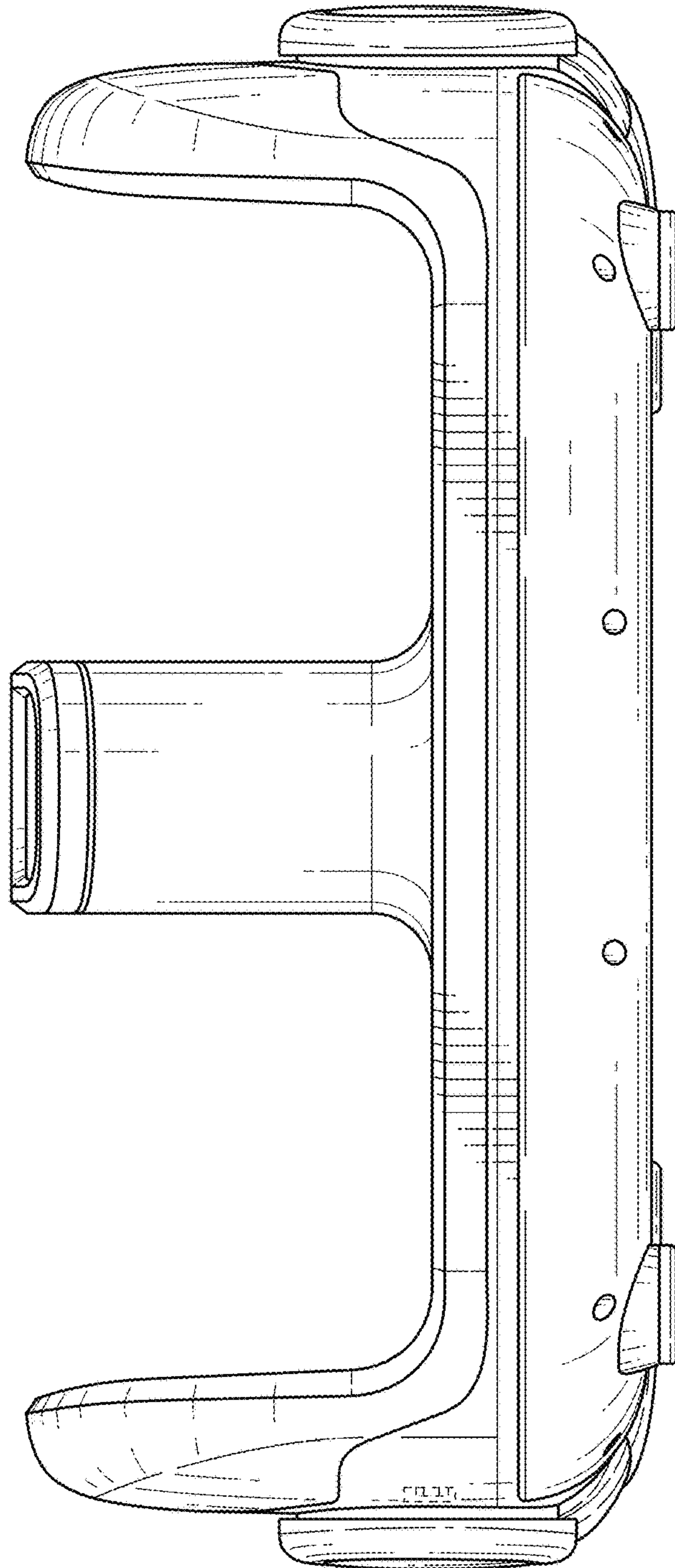


FIG. 2



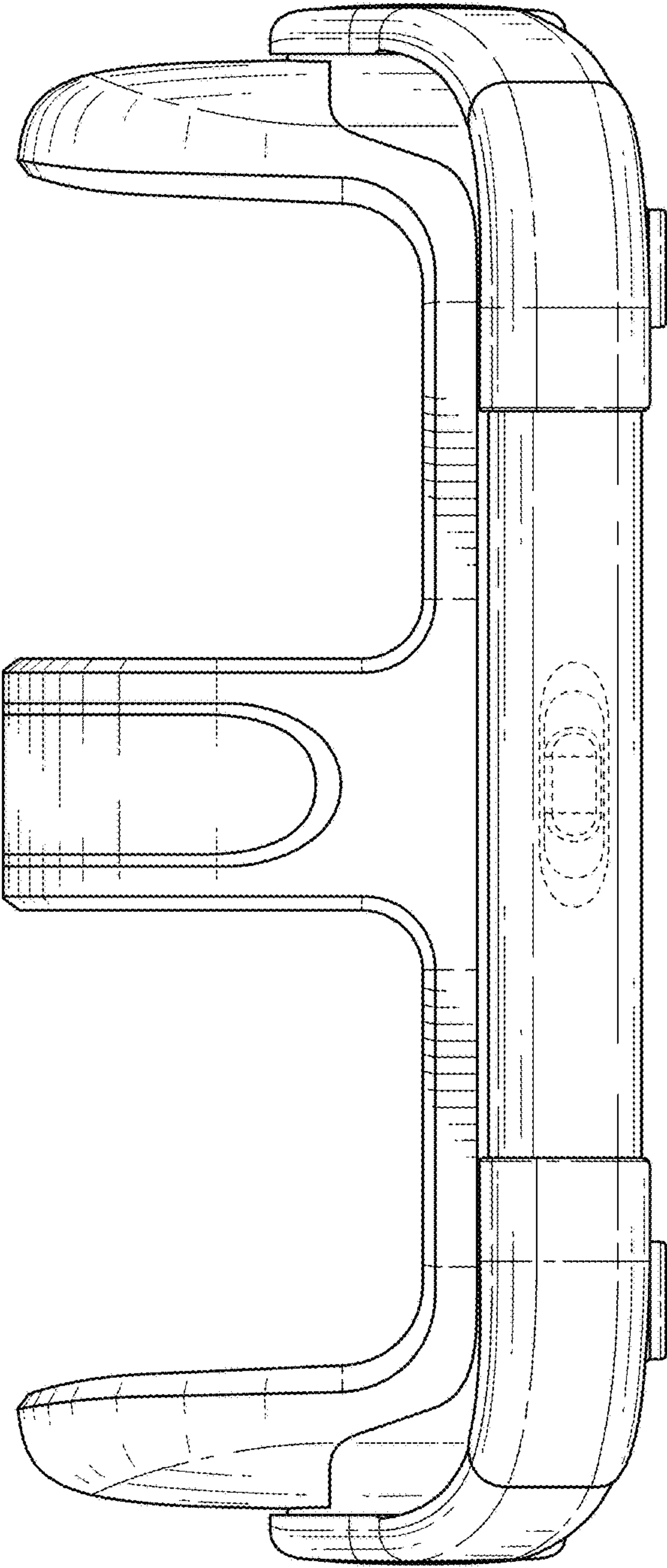


FIG. 3

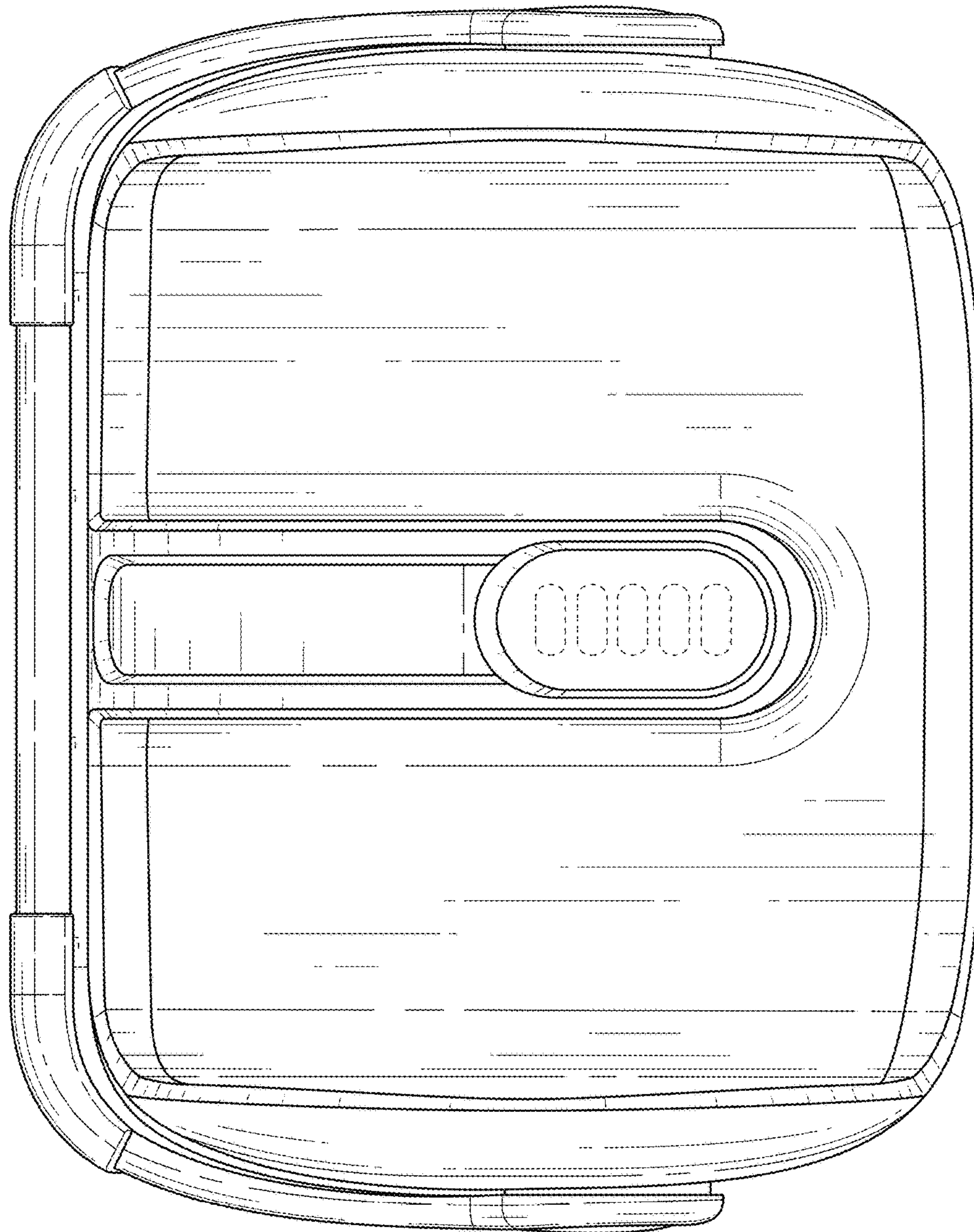


FIG. 4

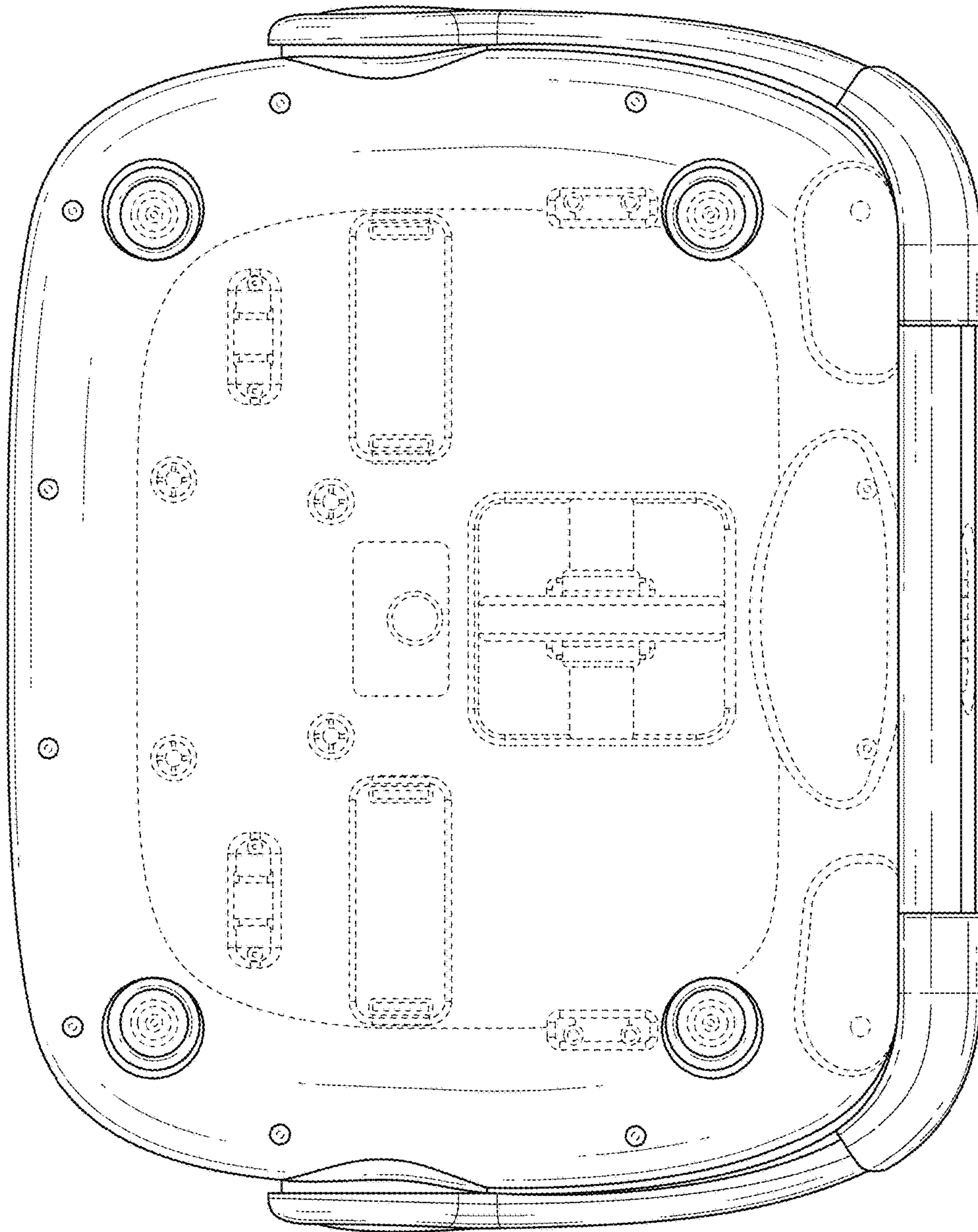


FIG. 5

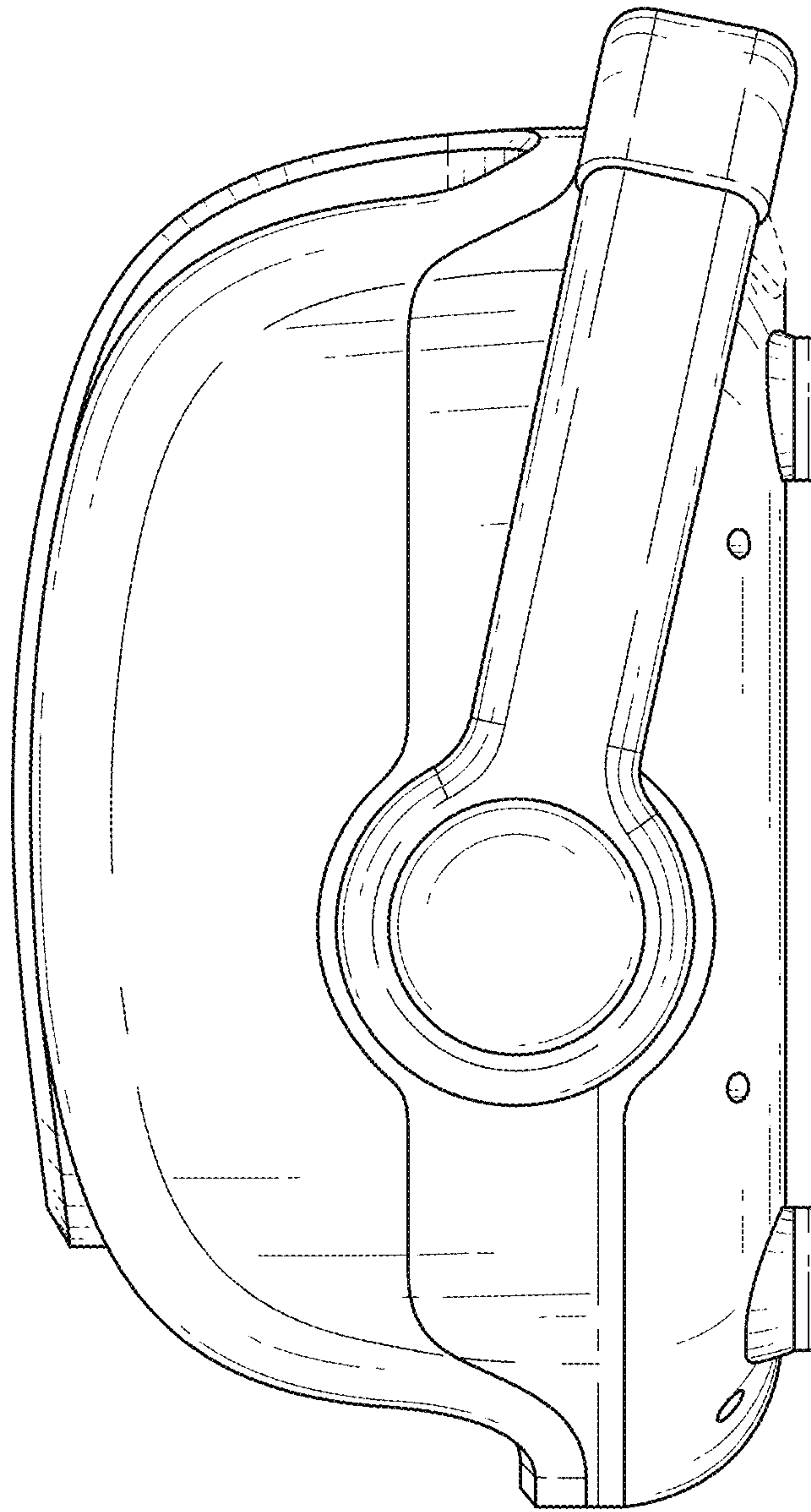


FIG. 6



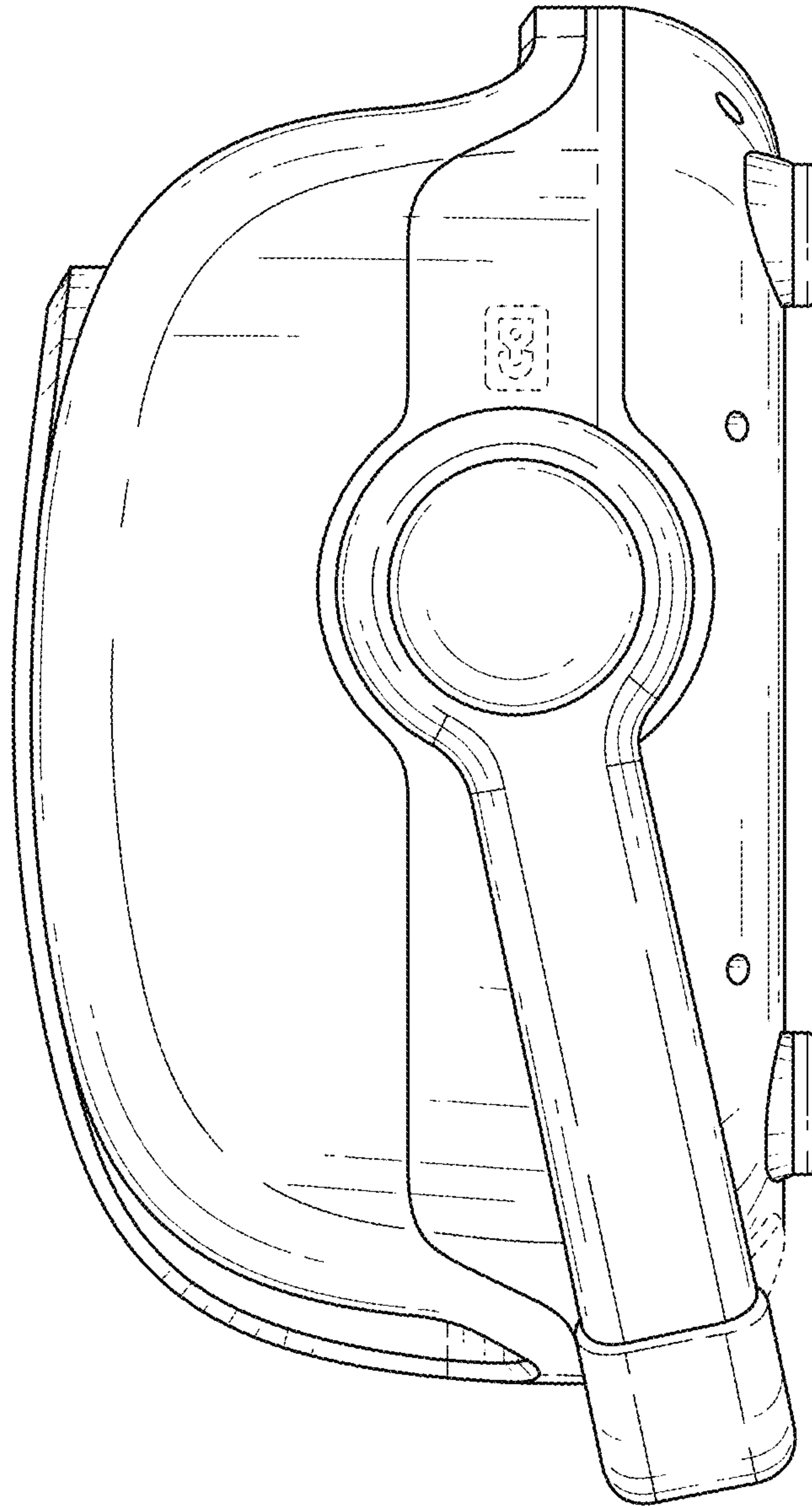


FIG. 7