



US00D846751S

(12) **United States Design Patent** (10) **Patent No.:** **US D846,751 S**
Edwards et al. (45) **Date of Patent:** **** Apr. 23, 2019**

(54) **COSMETIC SKIN CARE DEVICE**
(71) Applicant: **The Procter & Gamble Company**,
Cincinnati, OH (US)
(72) Inventors: **Jeffrey David Edwards**, Perth (AU);
Giovanni Ciampa, Ryde (AU)
(73) Assignee: **The Procter and Gamble Company**,
Cincinnati, OH (US)
(**) Term: **15 Years**
(21) Appl. No.: **29/614,795**
(22) Filed: **Aug. 23, 2017**
(51) **LOC (11) Cl.** **28-03**
(52) **U.S. Cl.**
USPC **D24/200**
(58) **Field of Classification Search**
USPC D24/107, 133, 188, 200, 206, 209,
D24/211-215, 221; D28/9, 13, 14, 44,
(Continued)

(56) **References Cited**
U.S. PATENT DOCUMENTS
D329,290 S * 9/1992 Geneve D24/211
D351,660 S * 10/1994 Ichikawa D24/200
(Continued)

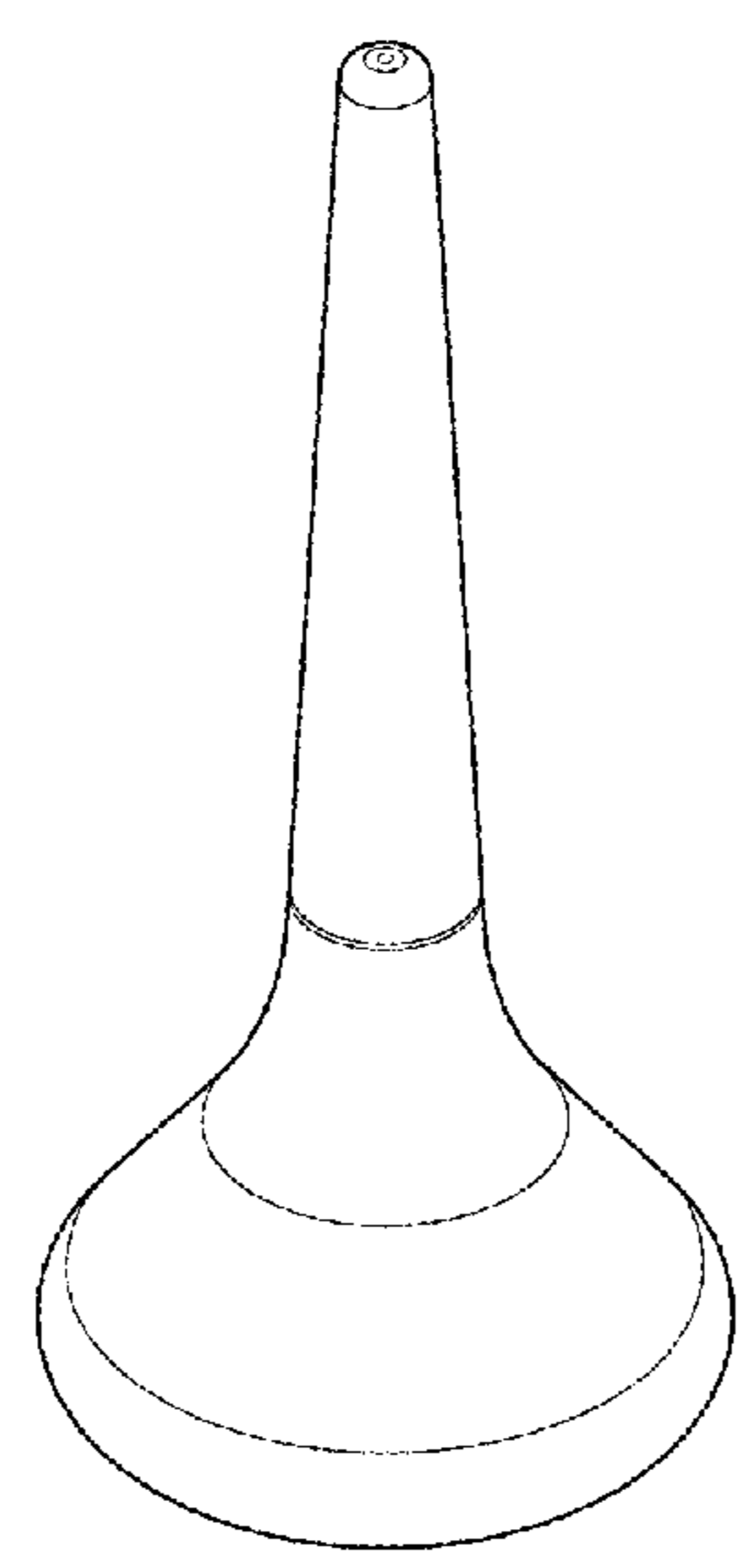
FOREIGN PATENT DOCUMENTS
WO WO2006/097785 9/2006
WO WO 2009/135246 11/2009
(Continued)

Primary Examiner — Wan Laymon
Assistant Examiner — Clint A Samuel

(74) *Attorney, Agent, or Firm* — John G. Powell
(57) **CLAIM**
The ornamental design for a cosmetic skin care device, as shown and described.

DESCRIPTION
The patent or application file contains a least one drawing executed in color. Copies of this patent or patent application publication with color drawing(s) will be provided by the Office upon request and payment of the necessary fee.
FIG. 1 is a perspective view of a cosmetic skin care device; FIG. 2 is a front view thereof; FIG. 3 is a rear view thereof; FIG. 4 is a top plan view thereof; FIG. 5 is a bottom view thereof. FIG. 6 is a perspective view of a cosmetic skin care device; FIG. 7 is a front view thereof; FIG. 8 is a rear view thereof; FIG. 9 is a top plan view thereof; FIG. 10 is a bottom view thereof. FIG. 11 is a perspective view of a cosmetic skin care device; FIG. 12 is a front view thereof; FIG. 13 is a rear view thereof; FIG. 14 is a top plan view thereof; FIG. 15 is a bottom view thereof. FIG. 16 is a perspective view of a cosmetic skin care device; FIG. 17 is a front view thereof; FIG. 18 is a rear view thereof; FIG. 19 is a top plan view thereof; and, FIG. 20 is a bottom view thereof.
The broken lines showing in the drawings are for the purpose of illustrating environmental structure and form no part of the claimed design.

1 Claim, 4 Drawing Sheets
(2 of 4 Drawing Sheet(s) Filed in Color)



(58) **Field of Classification Search**

USPC D28/51, 96, 97; 601/1, 5, 46, 48, 64, 80;
 607/1, 95, 96, 99, 101, 103, 109, 115
 CPC A61H 7/00; A61H 7/003; A61H 7/004;
 A61H 7/005; A61H 7/006; A61H 15/00;
 A61H 15/005; A61H 15/0014; A61H
 2201/02; A61H 2201/0207; A61H
 2201/0263; A61H 2201/0153; A61H
 2205/00; A61H 2205/02; A61H 2205/04;
 A61H 2205/06; A61H 2205/08; A61H
 2205/022; A61H 2205/025; A61H
 2205/084; A61H 2205/086

See application file for complete search history.

(56) **References Cited**

U.S. PATENT DOCUMENTS

D358,654 S * 5/1995 Smith D24/200
 5,991,961 A 11/1999 Zurik
 6,564,093 B1 5/2003 Ostrow
 D548,850 S * 8/2007 Gladieux, III D24/214
 7,608,035 B2 10/2009 Farone
 D637,728 S * 5/2011 Sevier D24/211
 8,019,412 B2 9/2011 Edwards
 D652,524 S * 1/2012 Messner D24/211
 8,105,228 B2 1/2012 Holcomb
 D660,449 S * 5/2012 Sevier D24/211
 D667,115 S * 9/2012 Caballero D24/133

8,316,862 B2 11/2012 Shapiro
 D695,399 S * 12/2013 Sadot D24/133
 D695,400 S * 12/2013 Sadot D24/133
 D707,884 S * 6/2014 Park D28/7
 D722,383 S * 2/2015 Cole D24/200
 D758,600 S * 6/2016 Matsushita D24/200
 D768,308 S * 10/2016 Hetzel D24/214
 D770,635 S * 11/2016 Cole D24/200
 D780,933 S * 3/2017 Uchida D24/200
 D787,693 S * 5/2017 Matsushita D24/200
 D816,898 S * 5/2018 Shavit D28/7
 D833,630 S * 11/2018 Butler D24/200
 2006/0222689 A1 10/2006 Lin
 2007/0053858 A1 3/2007 Lynn
 2009/0093669 A1 4/2009 Farone
 2011/0201869 A1 8/2011 Edwards
 2012/0130150 A1 5/2012 Edwards
 2012/0149969 A1 6/2012 Holcomb
 2013/0137063 A1 5/2013 Edwards
 2013/0144109 A1 6/2013 Edwards
 2014/0336616 A1 11/2014 Edwards
 2015/0150599 A1 6/2015 Matsushita

FOREIGN PATENT DOCUMENTS

WO WO2011/046018 4/2011
 WO WO2011/146977 A1 12/2011
 WO WO 2011/156869 12/2011
 WO WO2012/031335 A1 3/2012
 WO WO 2013110124 8/2013

* cited by examiner

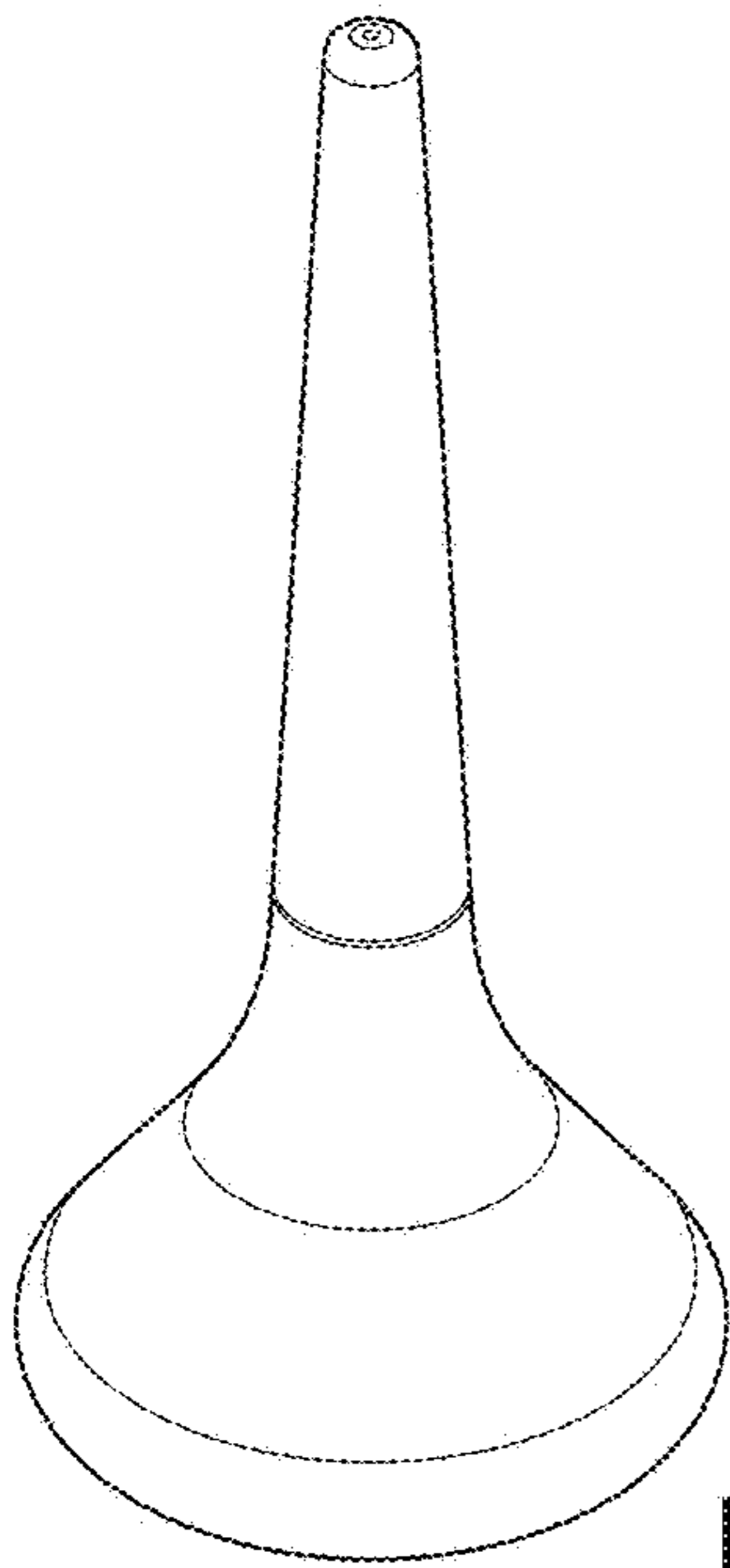


FIG. 1

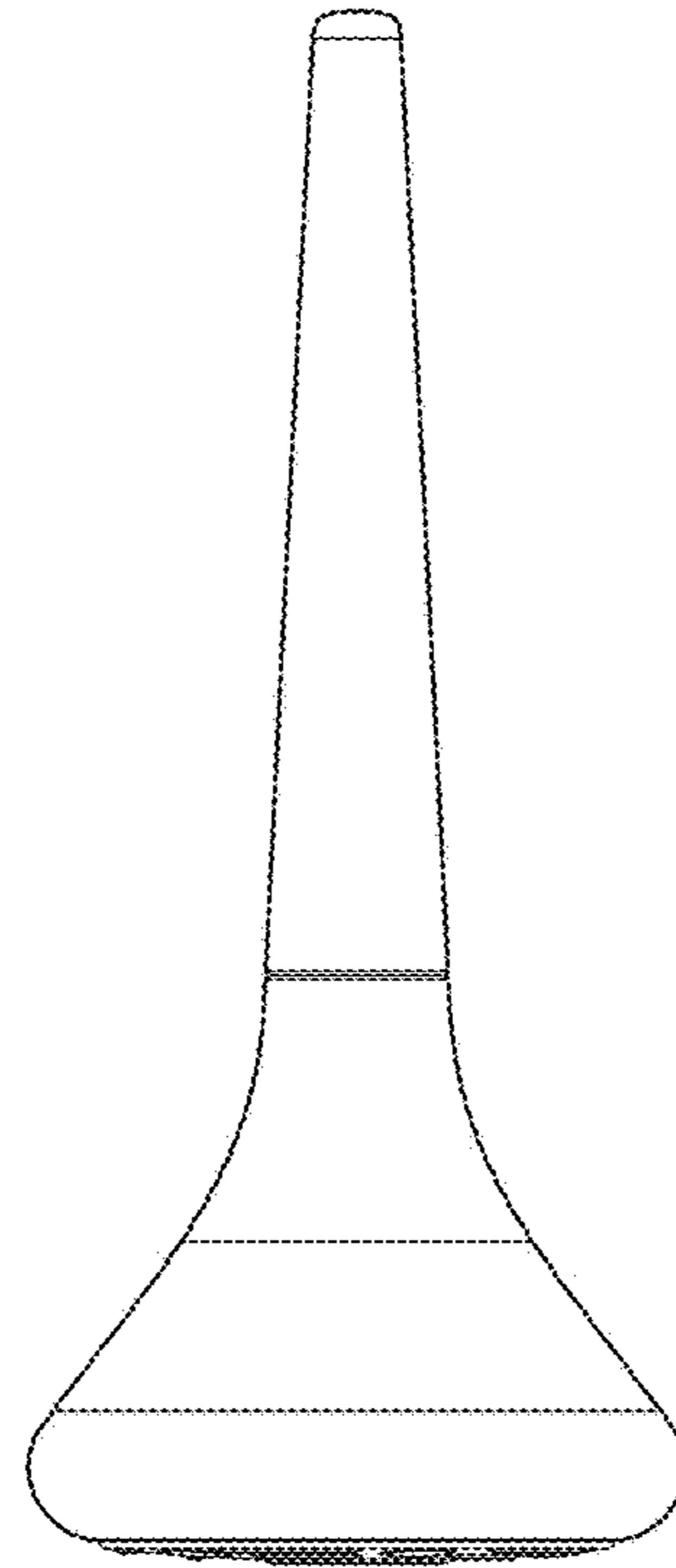


FIG. 2

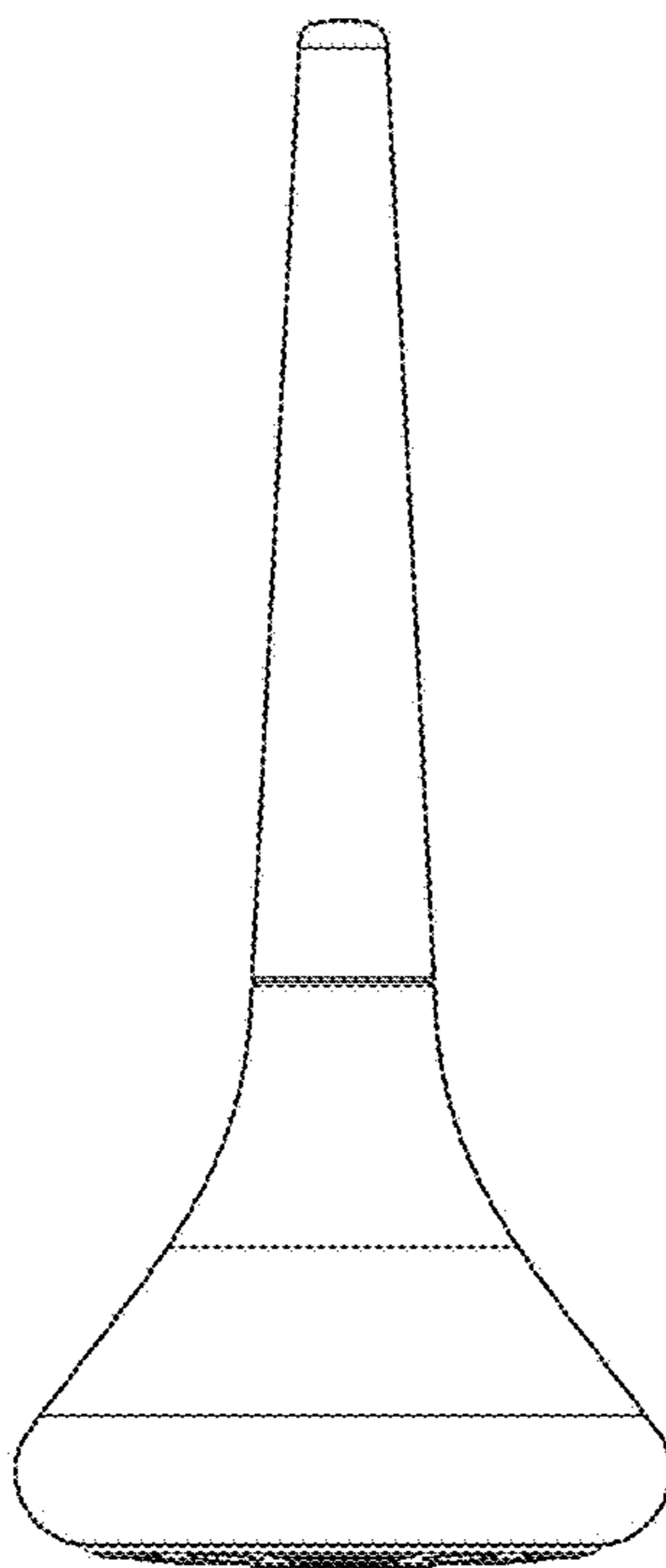


FIG. 3

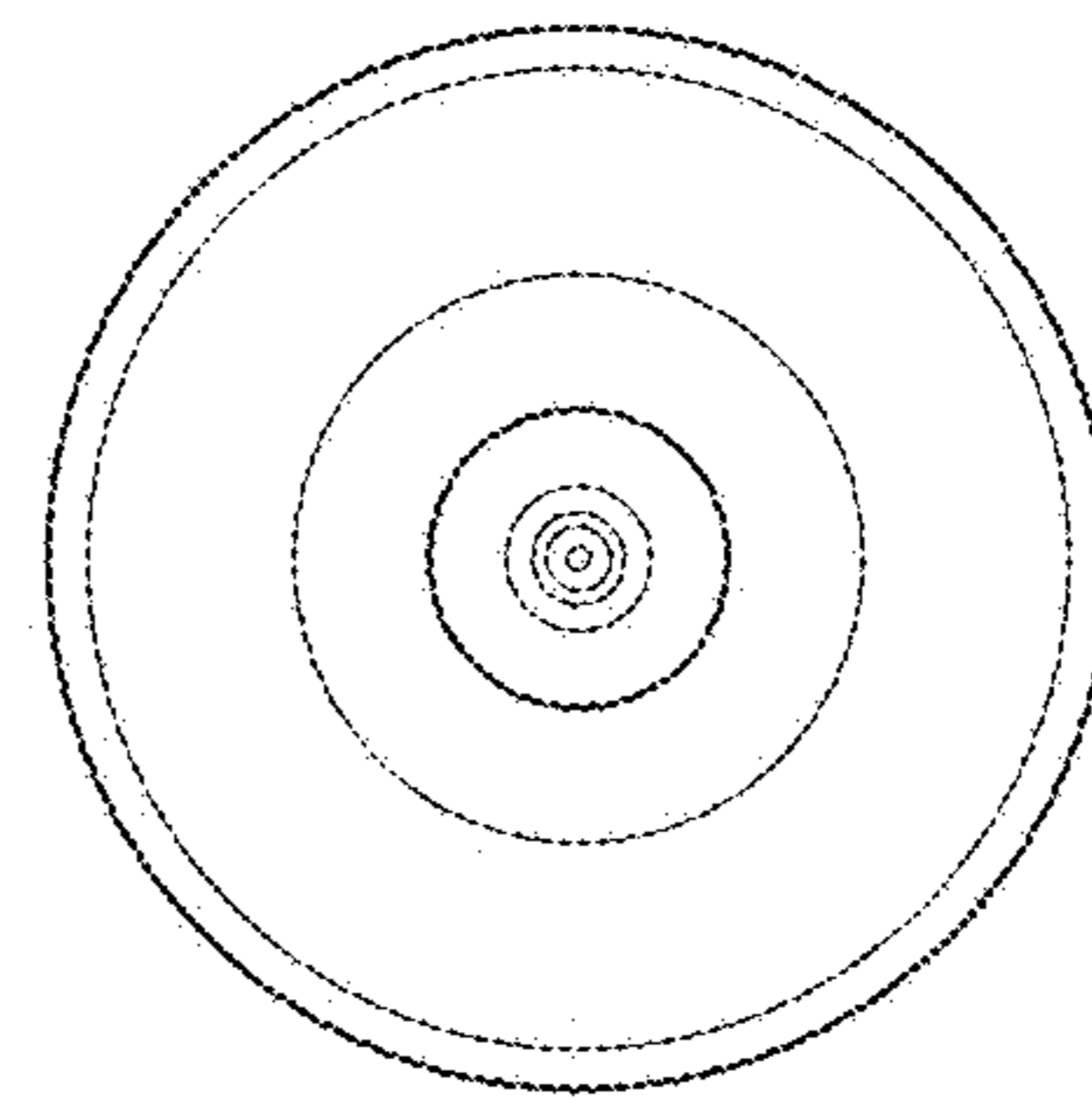


FIG. 4

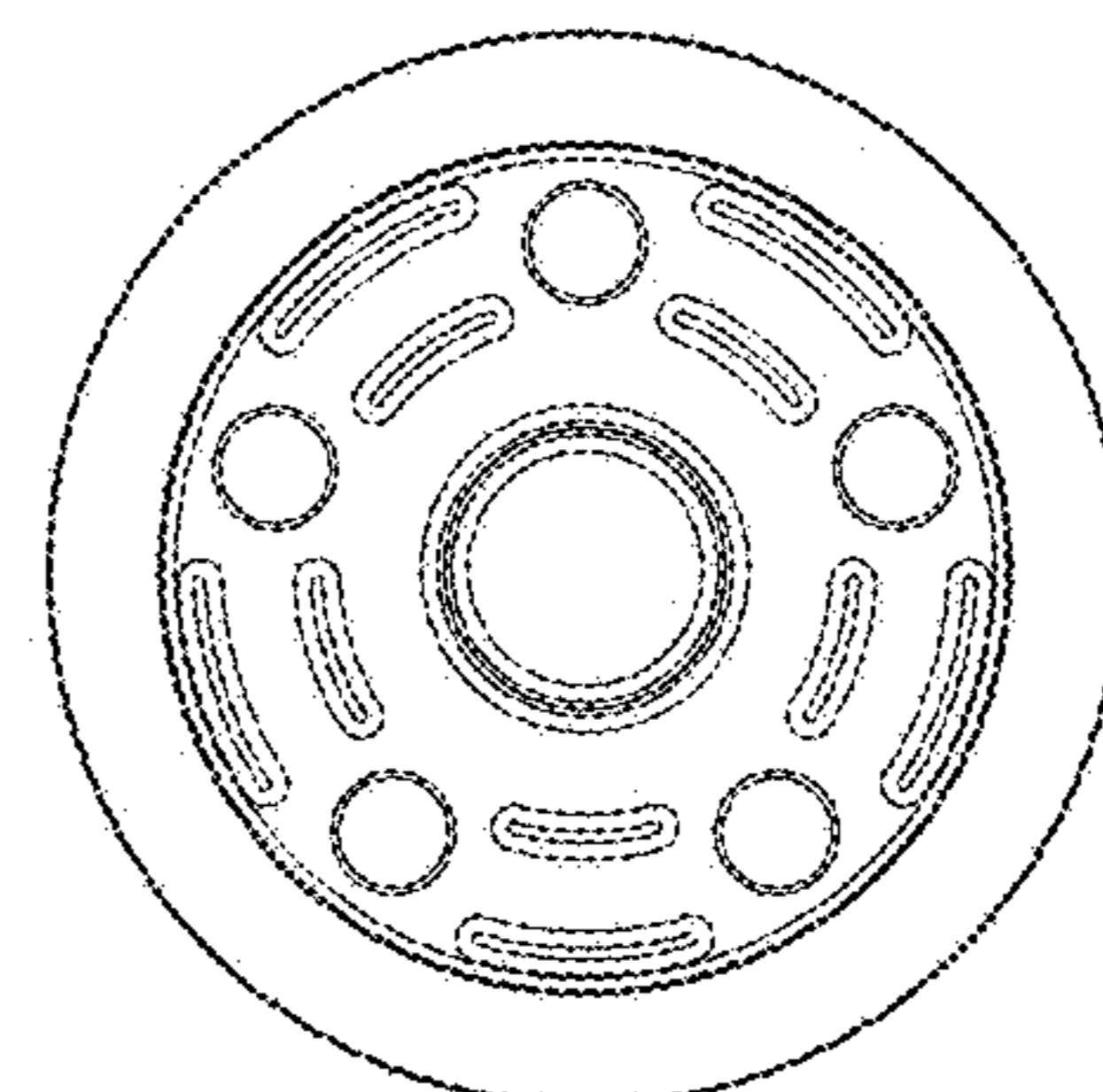


FIG. 5

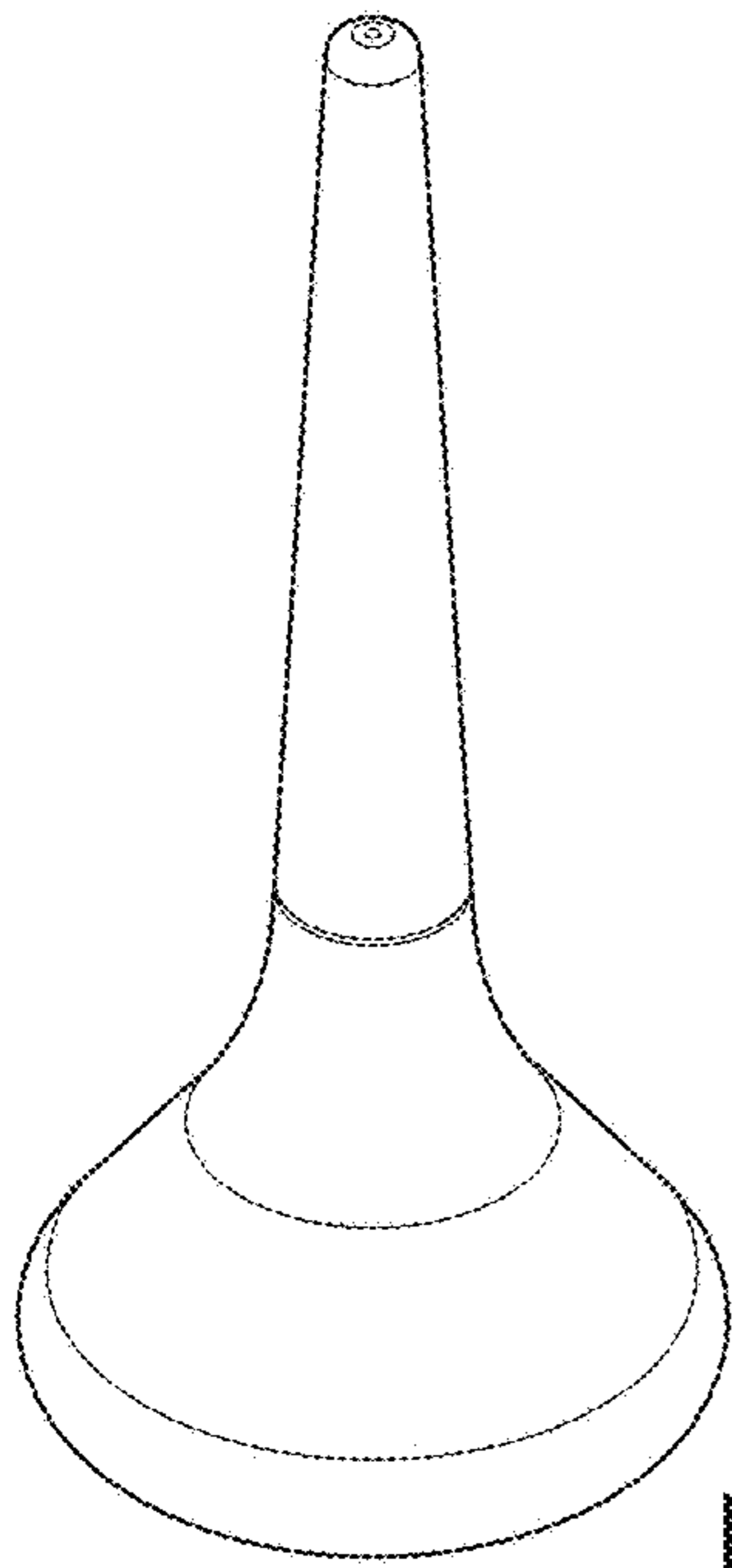


FIG. 6

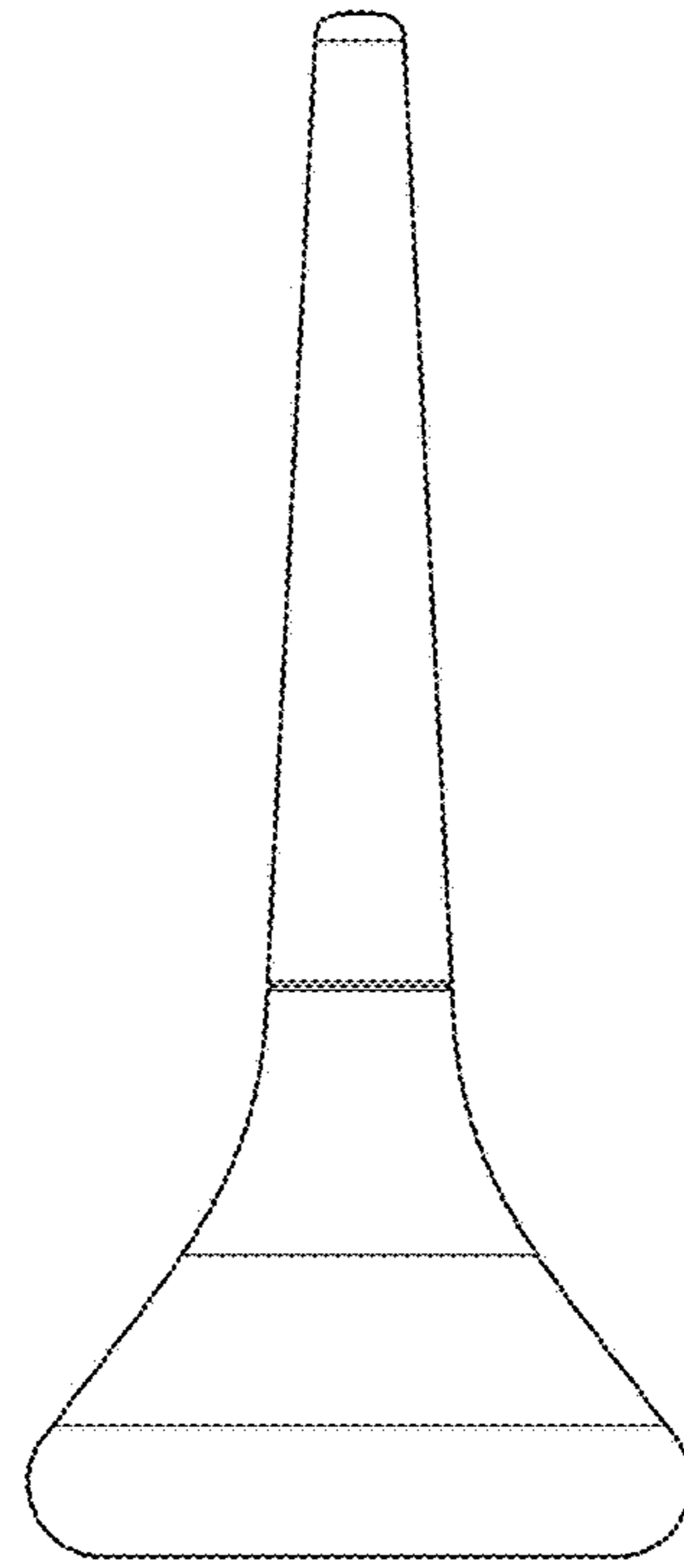


FIG. 7

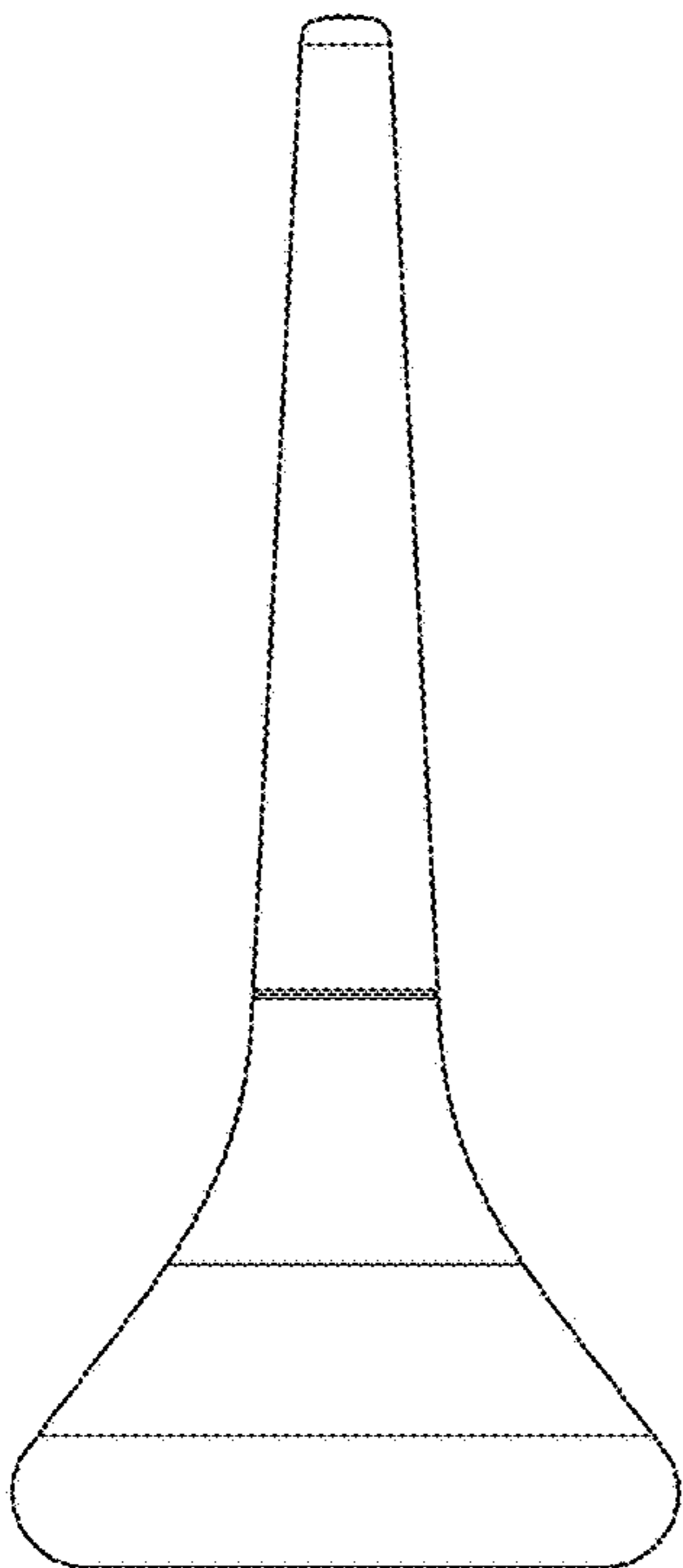


FIG. 8

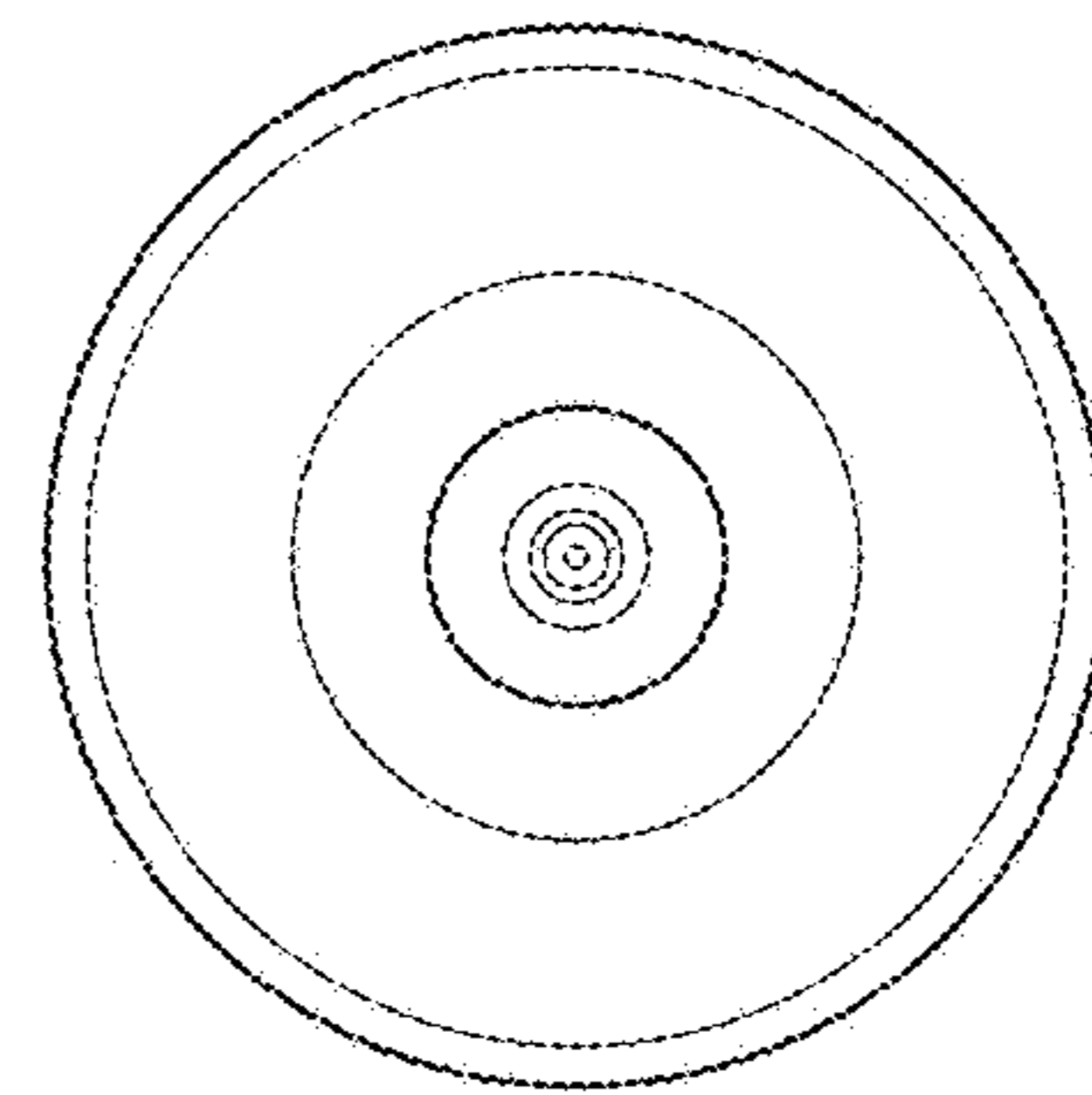


FIG. 9

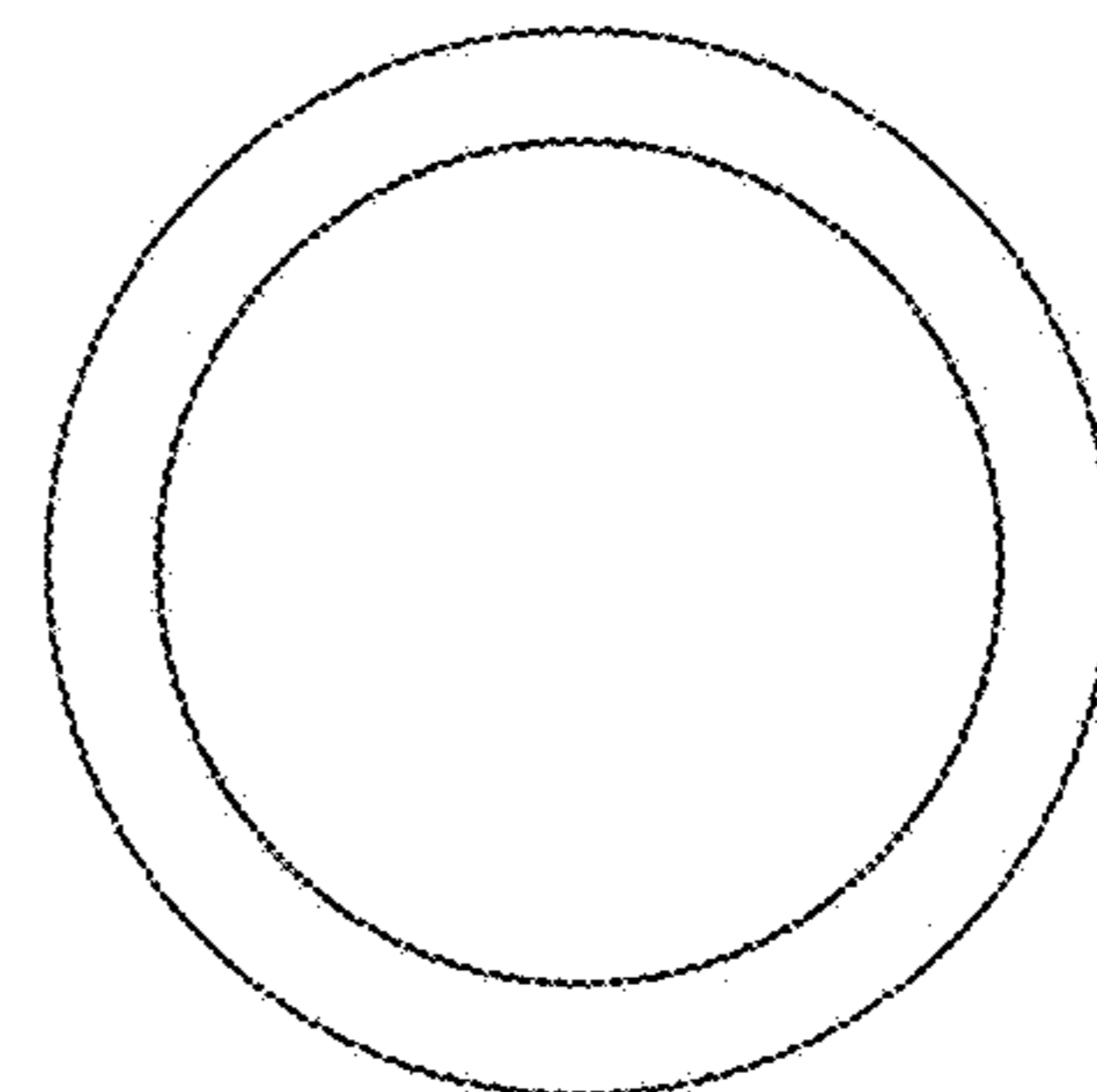


FIG. 10

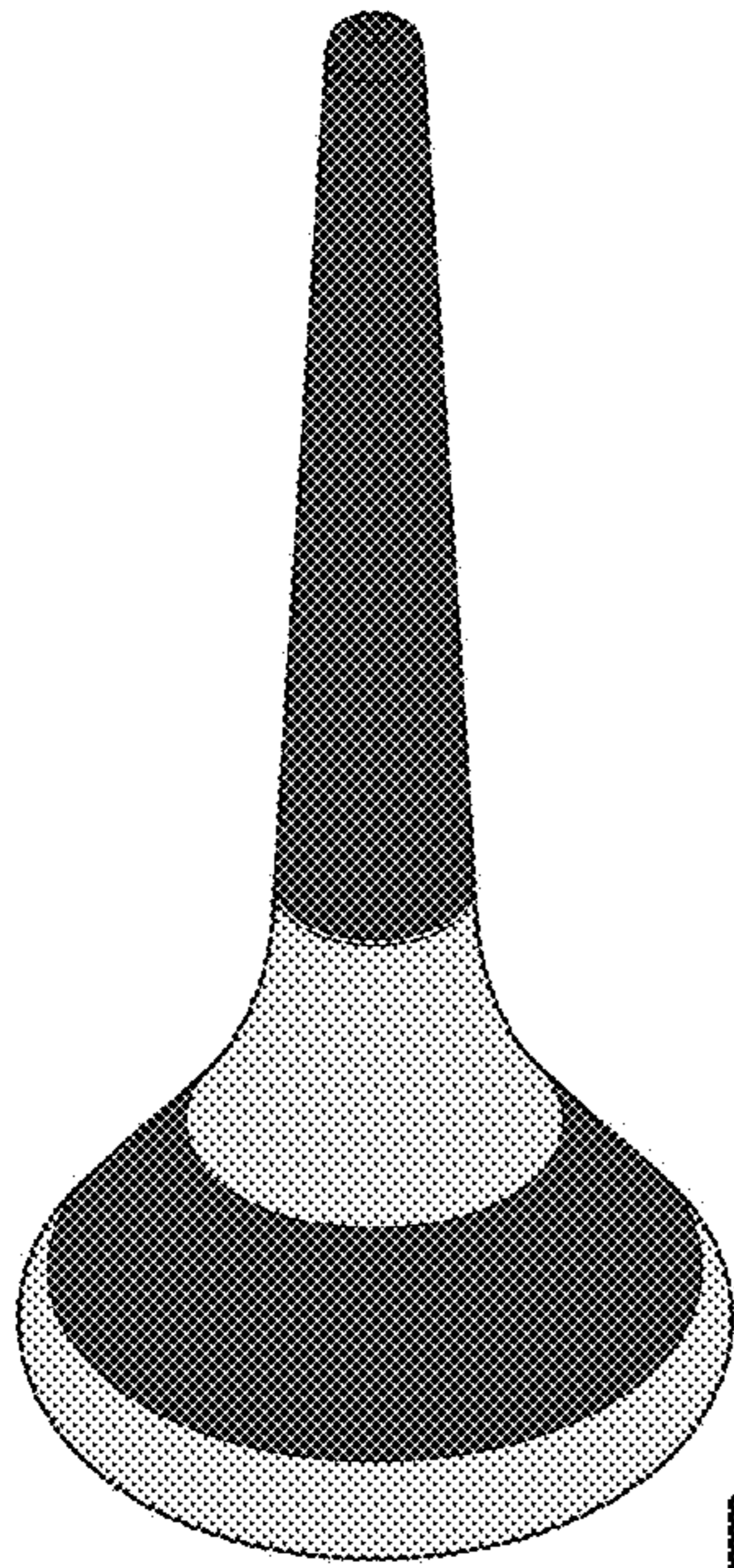


FIG. 11

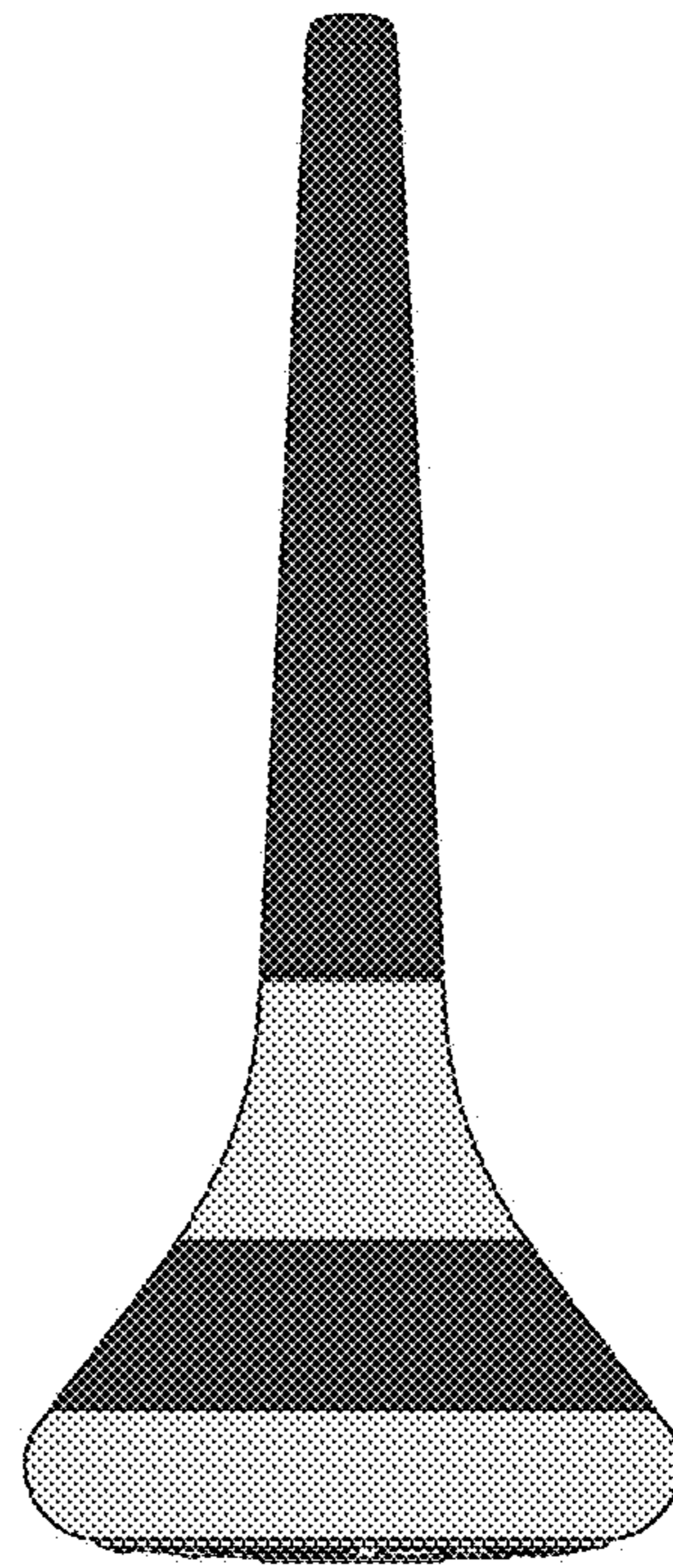


FIG. 12

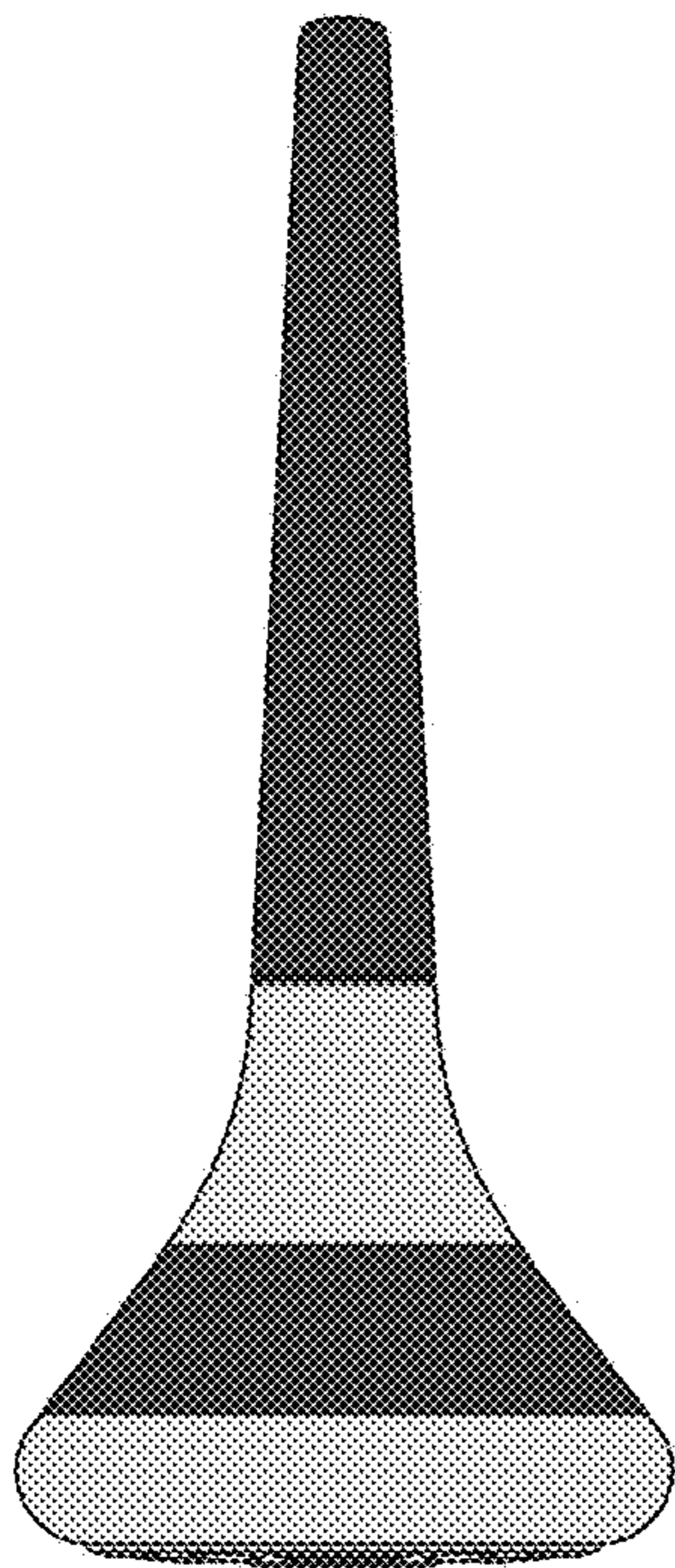


FIG. 13

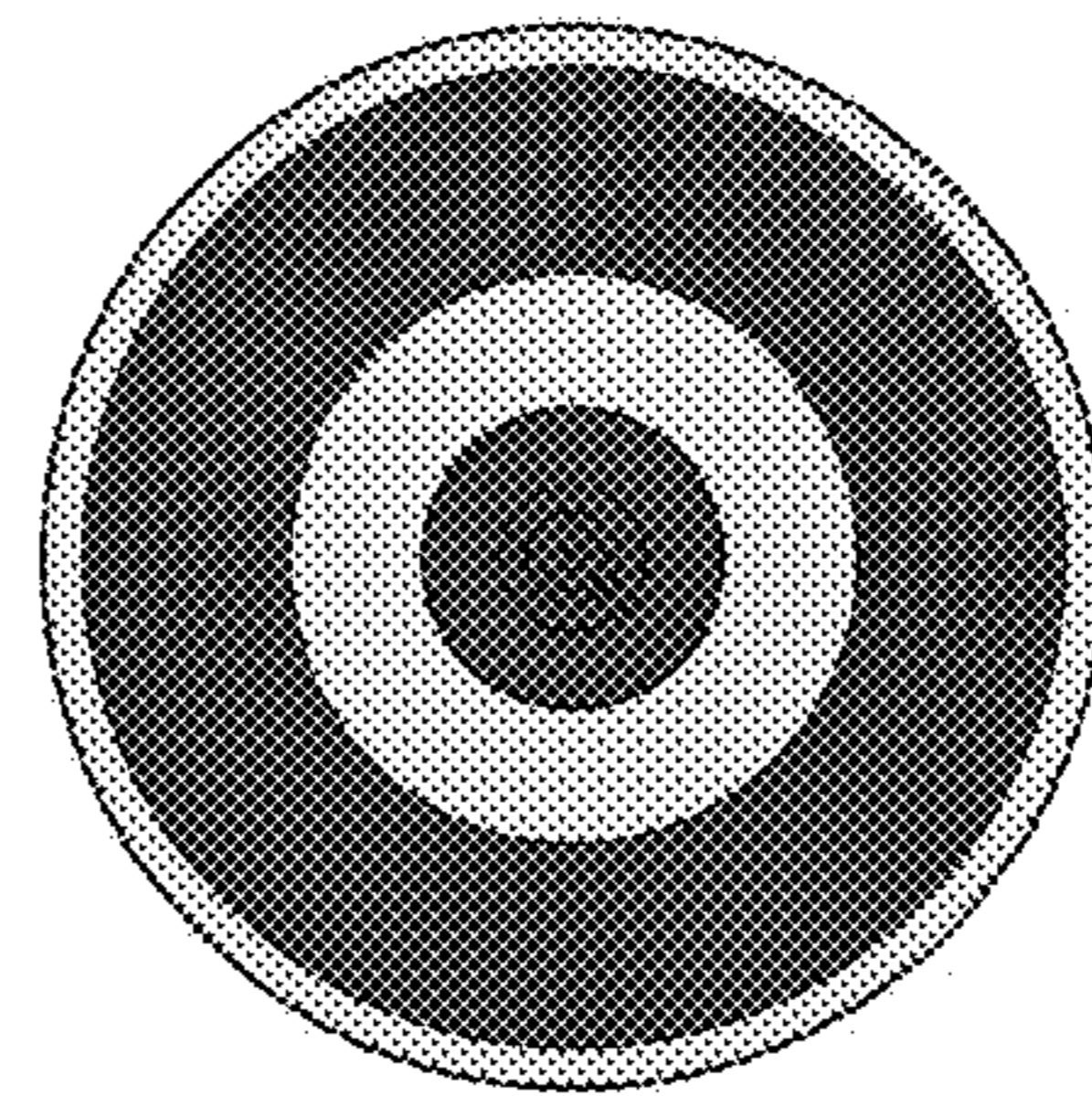


FIG. 14

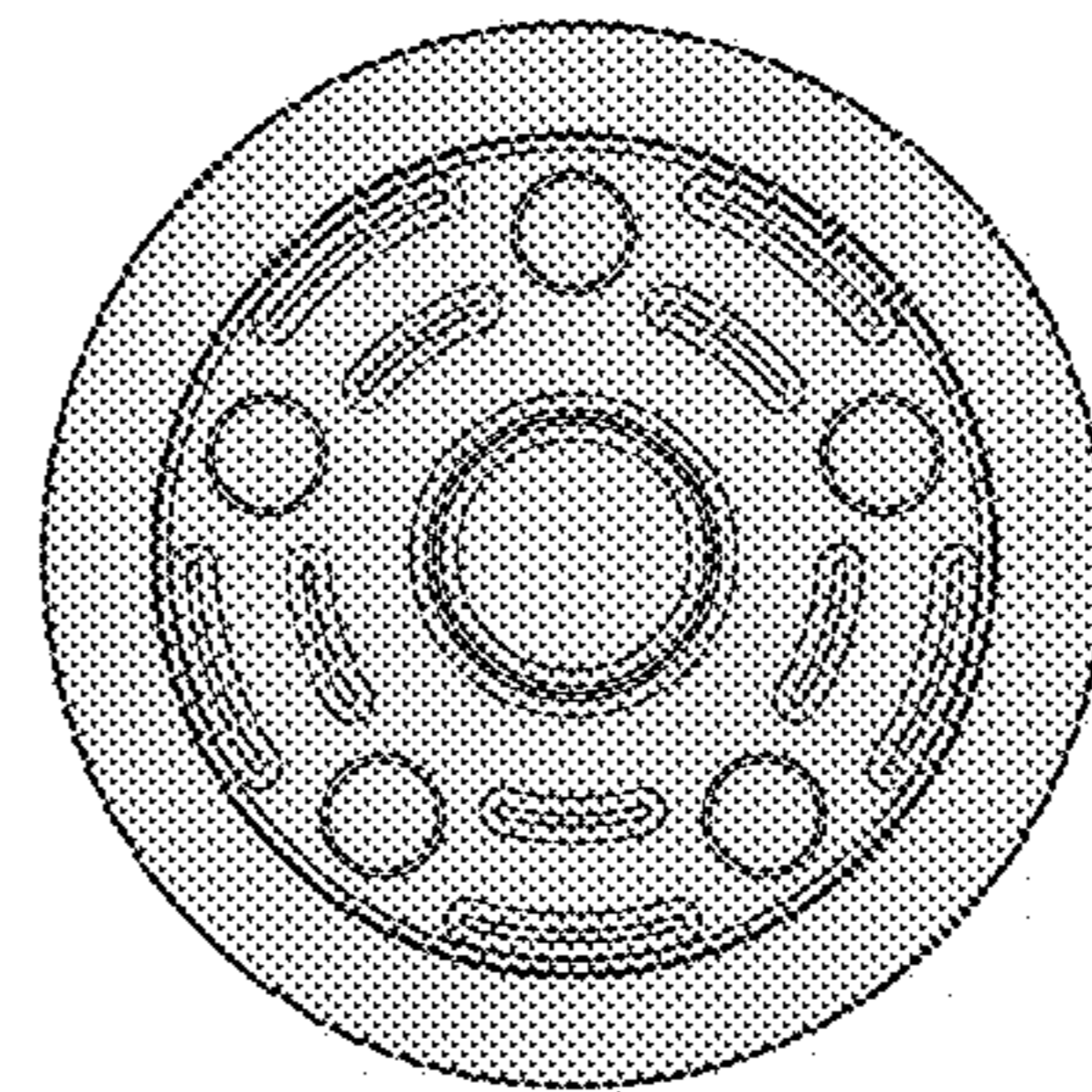


FIG. 15

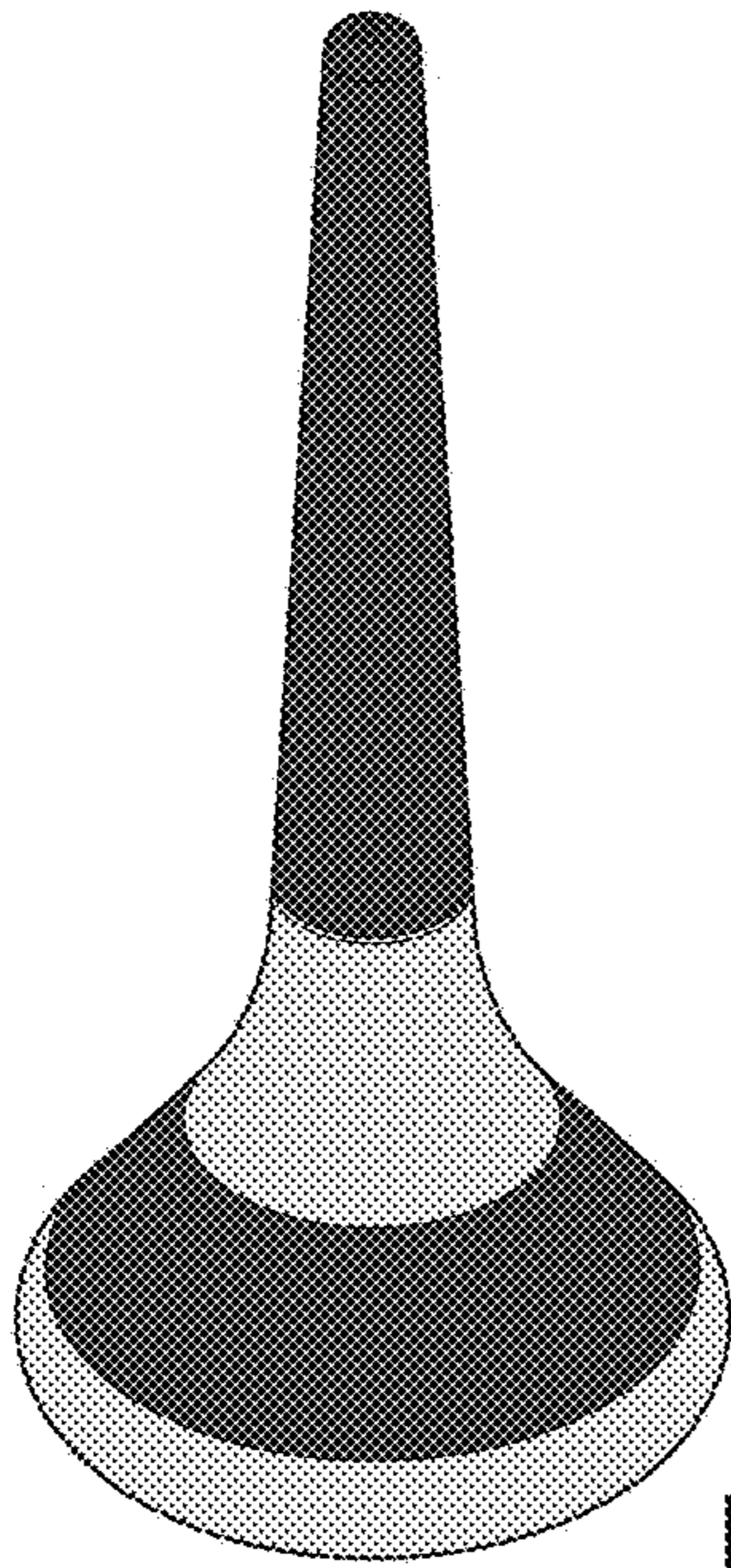


FIG. 16

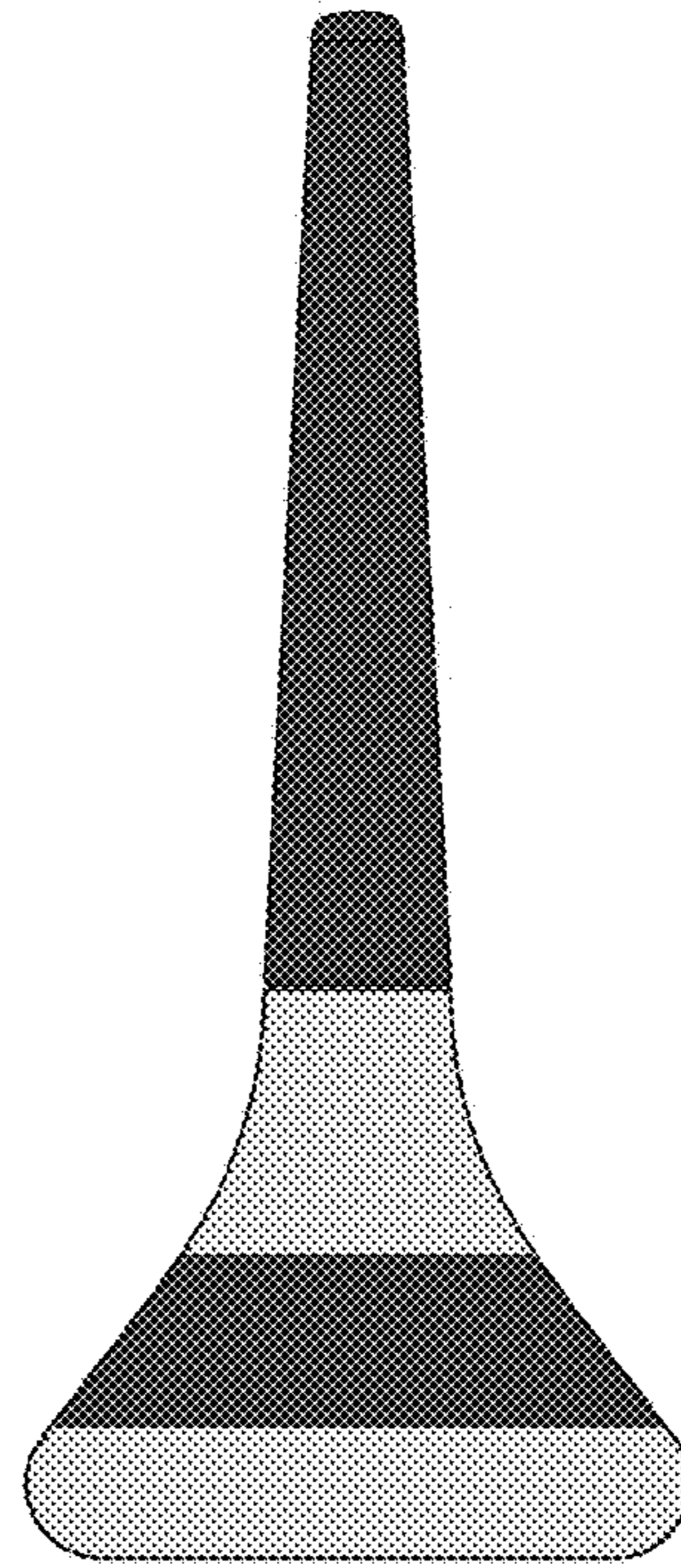


FIG. 17

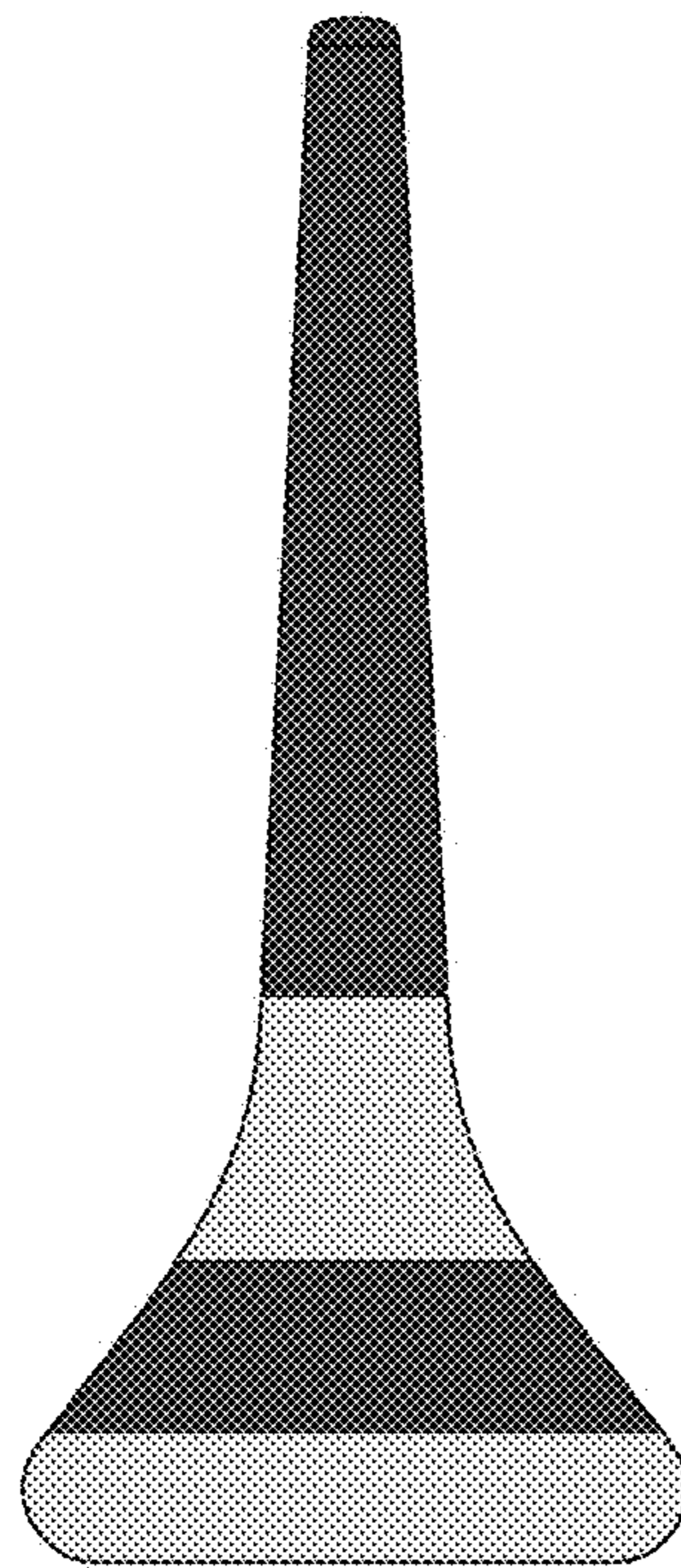


FIG. 18

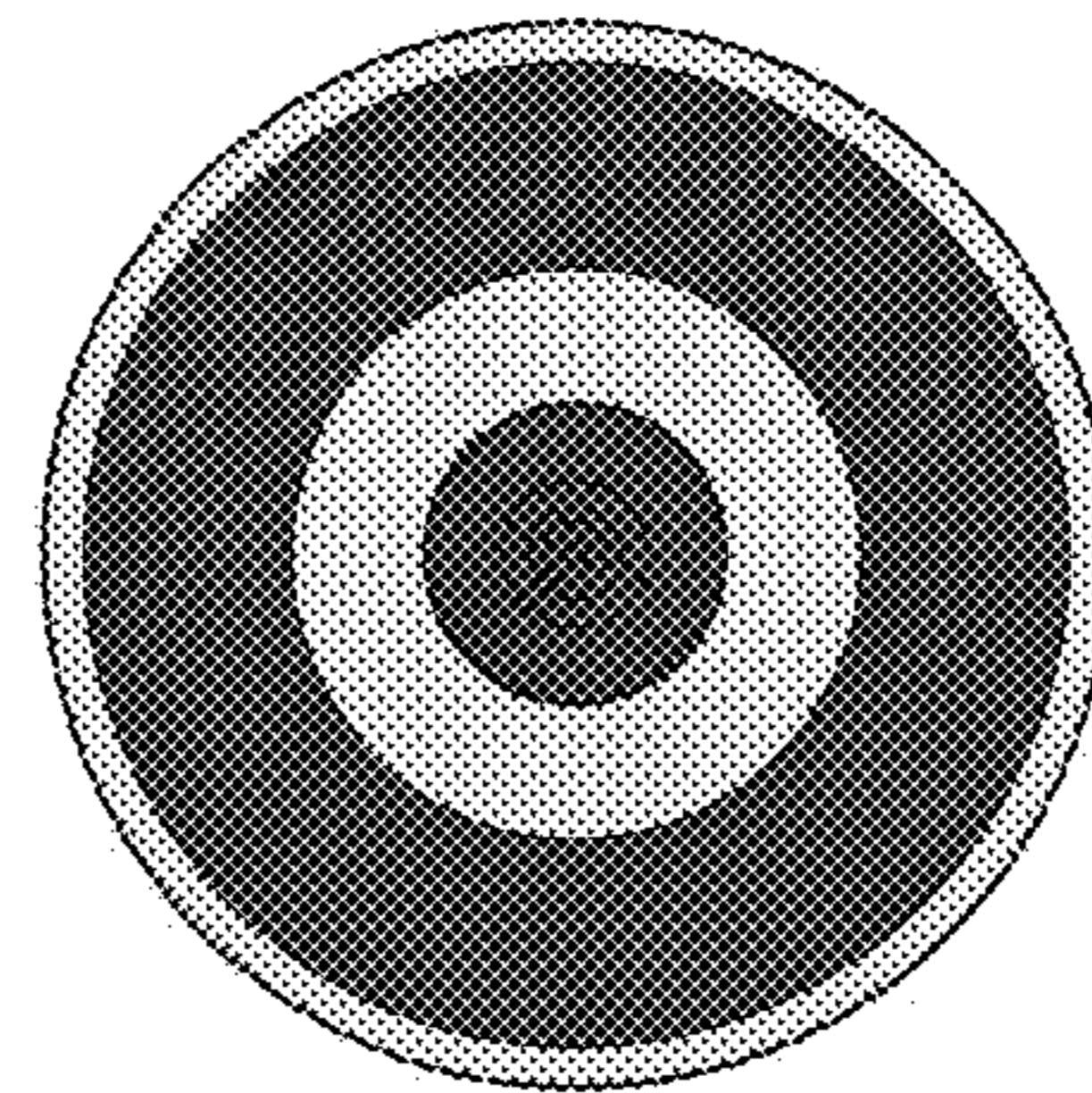


FIG. 19

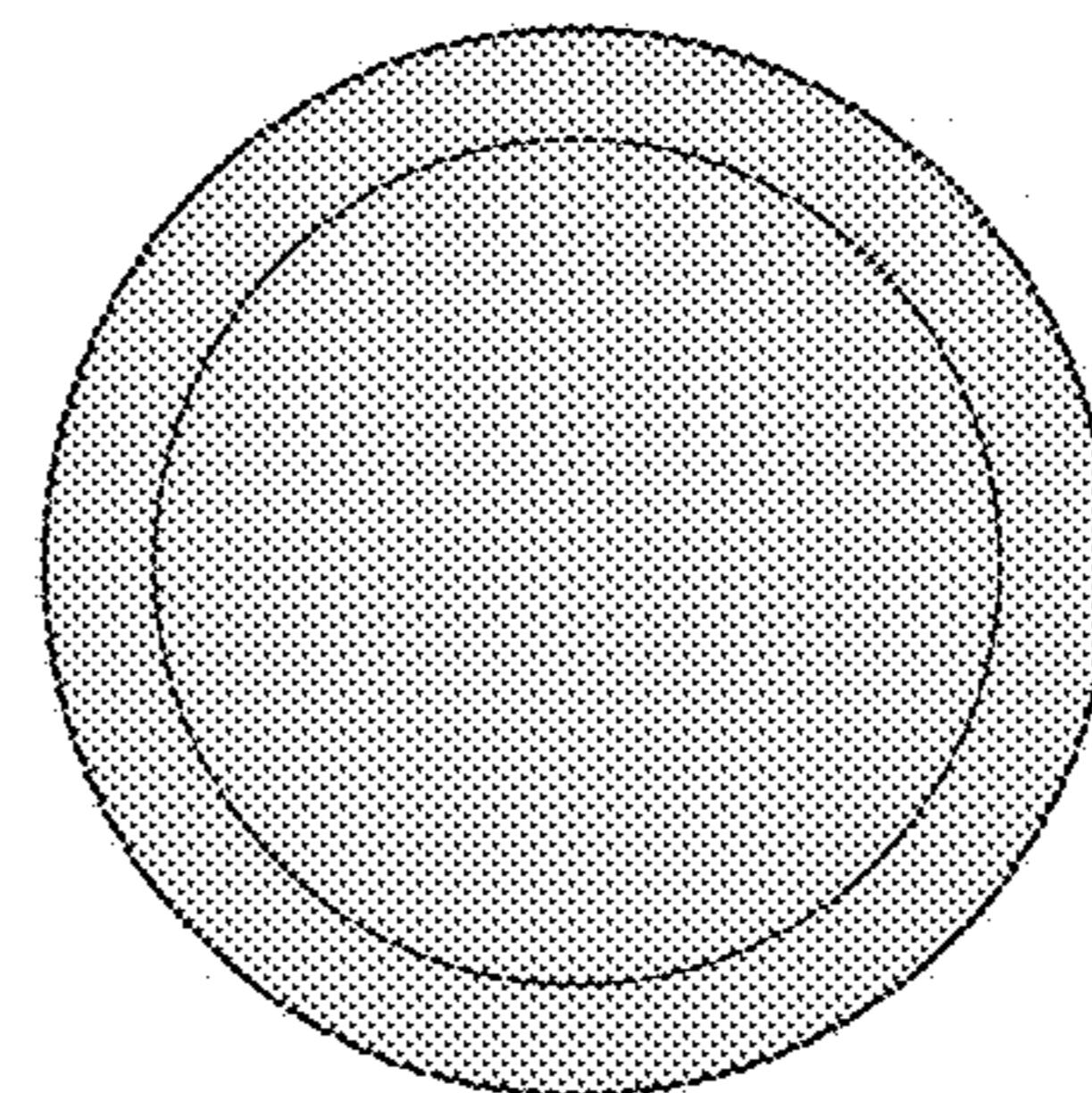


FIG. 20