



US00D846748S

(12) **United States Design Patent** (10) **Patent No.:** **US D846,748 S**  
**Benedikter** (45) **Date of Patent:** **\*\* Apr. 23, 2019**

(54) **FETAL AND MATERNAL MEDICAL SENSOR**

(56)

**References Cited**

(71) Applicant: **KONINKLIJKE PHILIPS N.V.**,  
Eindhoven (NL)

(72) Inventor: **Fabian Benedikter**, Sindelfingen (DE)

(73) Assignee: **KONINKLIJKE PHILIPS N.V.**,  
Eindhoven (NL)

(\*\*) Term: **15 Years**

(21) Appl. No.: **35/503,895**

(22) Filed: **May 3, 2017**

(80) **Hague Agreement Data**

Int. Filing Date: **May 3, 2017**

Int. Reg. No.: **DM/097117**

Int. Reg. Date: **May 3, 2017**

Int. Reg. Pub. Date: **Nov. 3, 2017**

(30) **Foreign Application Priority Data**

Nov. 25, 2016 (EM) ..... 003482017-0001

(51) **LOC (11) Cl.** ..... **24-01**

(52) **U.S. Cl.**  
USPC ..... **D24/186**

(58) **Field of Classification Search**  
USPC ..... D24/129, 168, 186, 187; D14/372, 205  
CPC ... A61B 5/6803; A61B 5/0002; A61B 5/0006;  
A61B 5/0011

See application file for complete search history.

U.S. PATENT DOCUMENTS

D319,031 S *	8/1991	Levinson	.....	D10/106.1
D631,552 S *	1/2011	Kasabach	.....	D24/186
D687,152 S *	7/2013	Tilk	.....	D24/187
D693,248 S *	11/2013	Anderssen	.....	D10/65
D715,667 S *	10/2014	Shigeno	.....	D10/70
D717,680 S *	11/2014	Park	.....	D10/70
D718,458 S *	11/2014	Vosch	.....	D24/187
D732,673 S *	6/2015	Lewis, Jr.	.....	D24/187
D733,596 S *	7/2015	Goodner	.....	D10/70
D736,935 S *	8/2015	Just	.....	D24/187
D749,570 S *	2/2016	Lee	.....	D14/344
D761,138 S *	7/2016	Manabe	.....	D10/65
D778,185 S *	2/2017	Ookawa	.....	D10/104.1
D790,996 S *	7/2017	Farley	.....	D10/104.2
D800,321 S *	10/2017	Roche	.....	D24/187
D821,595 S *	6/2018	Ito	.....	D24/200

\* cited by examiner

*Primary Examiner* — Robert M. Spear

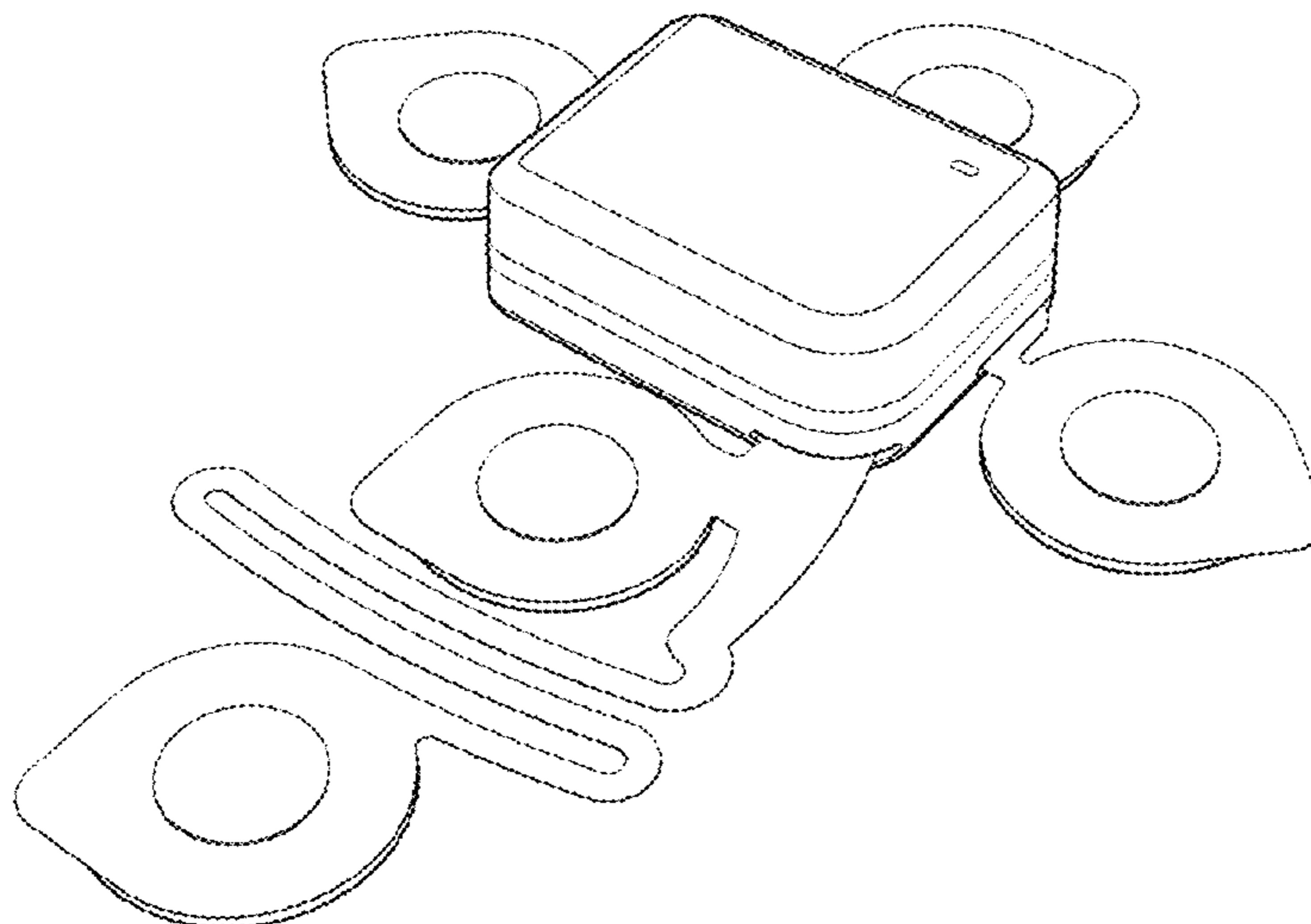
(57) **CLAIM**

The ornamental design for a fetal and maternal medical sensor, as shown and described.

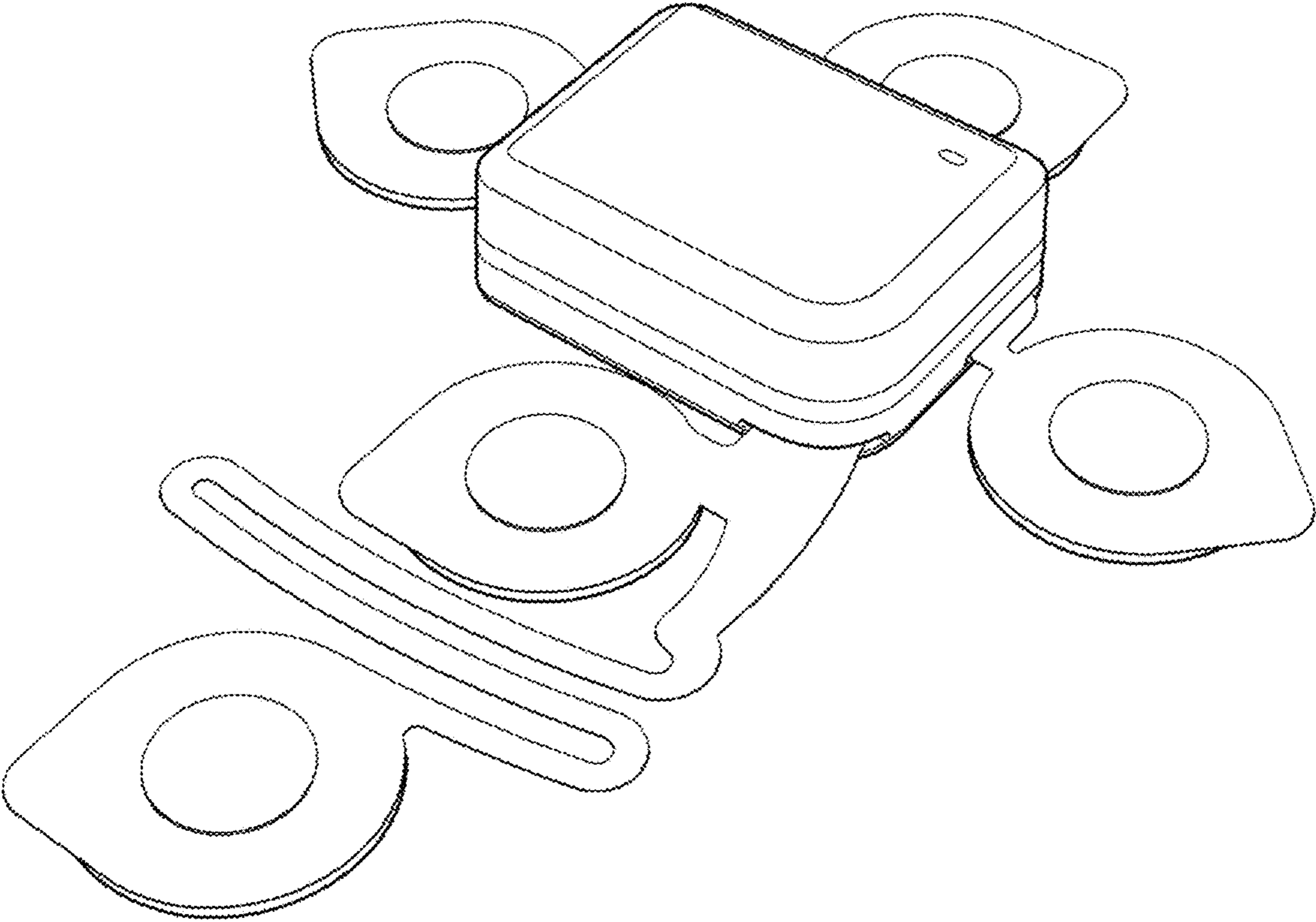
**DESCRIPTION**

1. Fetal and maternal medical sensor
  - 1.1 —Top perspective view;
  - 1.2 —Front elevational view;
  - 1.3 —Rear elevational view;
  - 1.4 —Right side elevational view;
  - 1.5 —Left side elevational view;
  - 1.6 —Top plan view;
  - 1.7 —Bottom plan view.

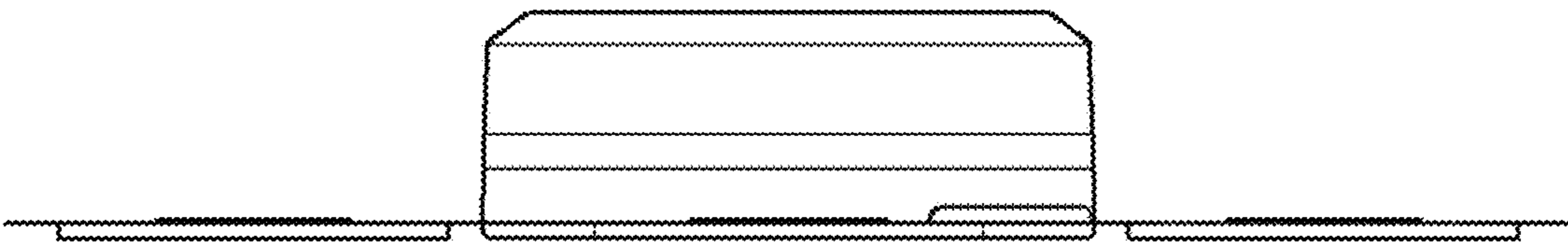
**1 Claim, 7 Drawing Sheets**



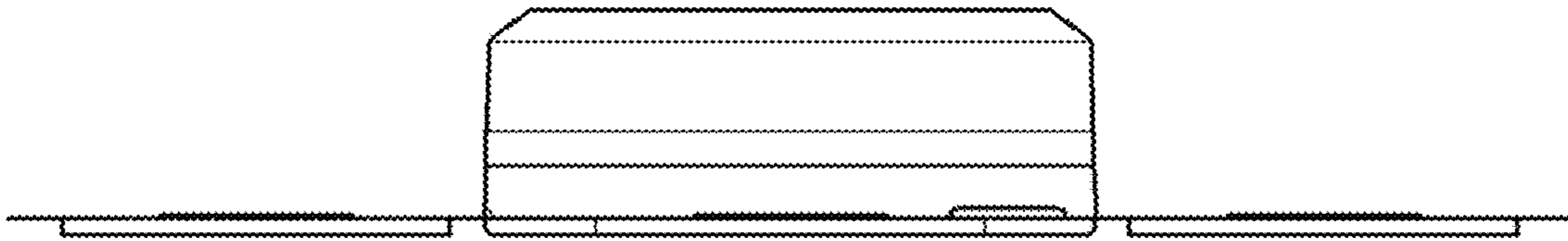
1.1



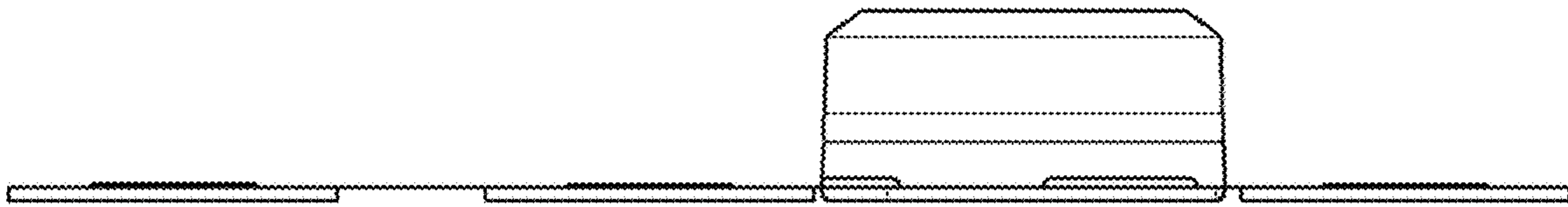
1.2



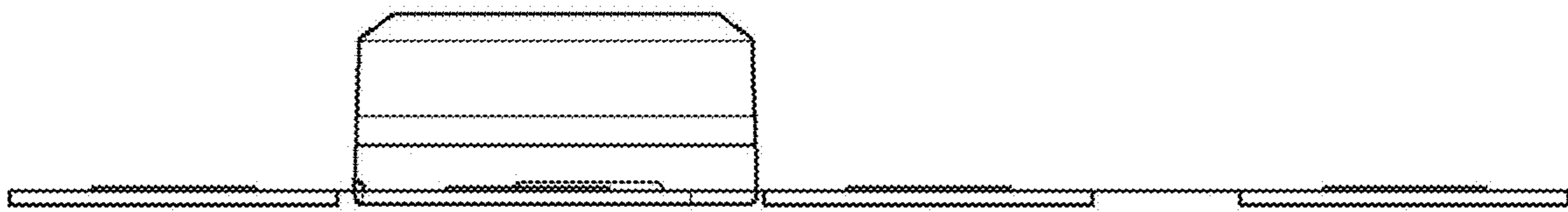
1.3



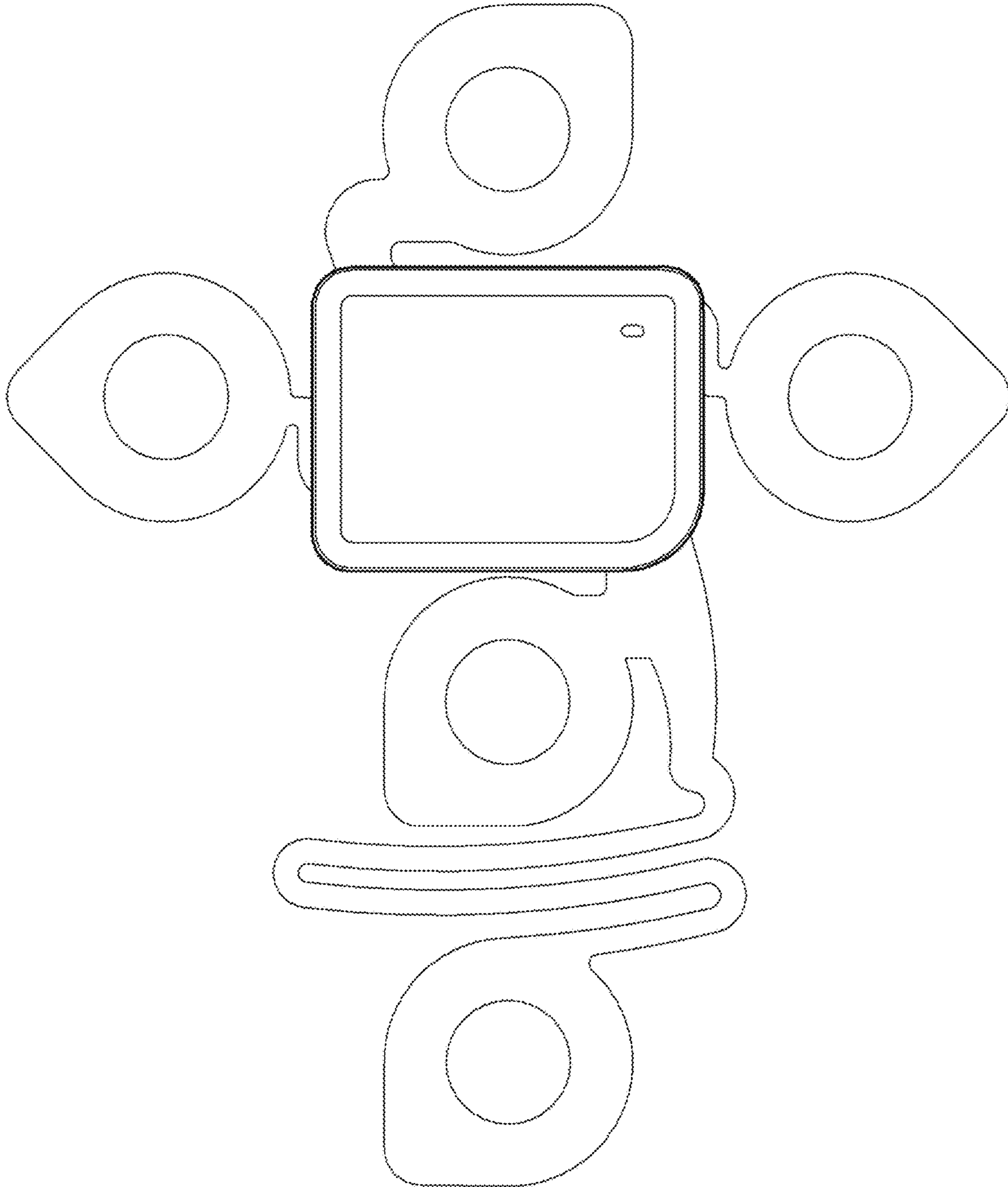
1.4



1.5



1.6



1.7

