



US00D846745S

(12) **United States Design Patent**  
**Clifford et al.**

(10) **Patent No.:** **US D846,745 S**  
(45) **Date of Patent:** **\*\* Apr. 23, 2019**

(54) **ULTRASONIC SURGICAL CONSOLE**

(71) Applicant: **Stryker Corporation**, Kalamazoo, MI (US)

(72) Inventors: **Steven Thomas Clifford**, Byron Center, MI (US); **Brett Robert Merkel**, Portage, MI (US); **Anna-Karin Soederstroem**, Morgan Hill, CA (US); **Darryl David Daniel, II**, Pflugerville, TX (US)

(73) Assignee: **STRYKER CORPORATION**, Kalamazoo, MI (US)

(\*\*) Term: **15 Years**

(21) Appl. No.: **29/602,198**

(22) Filed: **Apr. 28, 2017**

(51) **LOC (11) Cl.** ..... **24-01**

(52) **U.S. Cl.**  
USPC ..... **D24/185**

(58) **Field of Classification Search**  
USPC ..... D24/185–186, 170, 172, 158, 137–138  
(Continued)

(56) **References Cited**

**U.S. PATENT DOCUMENTS**

D330,768 S \* 11/1992 Yoshikawa ..... D24/165  
6,017,354 A 1/2000 Culp et al.  
(Continued)

**OTHER PUBLICATIONS**

Stryker Corporation, Instruments Division, “Consolidated Operating Room Equipment—Powered Instrument Driver REF 5400050—Instructions for Use”, May 2005, pp. 1-38.  
(Continued)

*Primary Examiner* — Anhdao Doan  
*Assistant Examiner* — Mary Shannon Malley

(74) *Attorney, Agent, or Firm* — Howard & Howard Attorneys PLLC

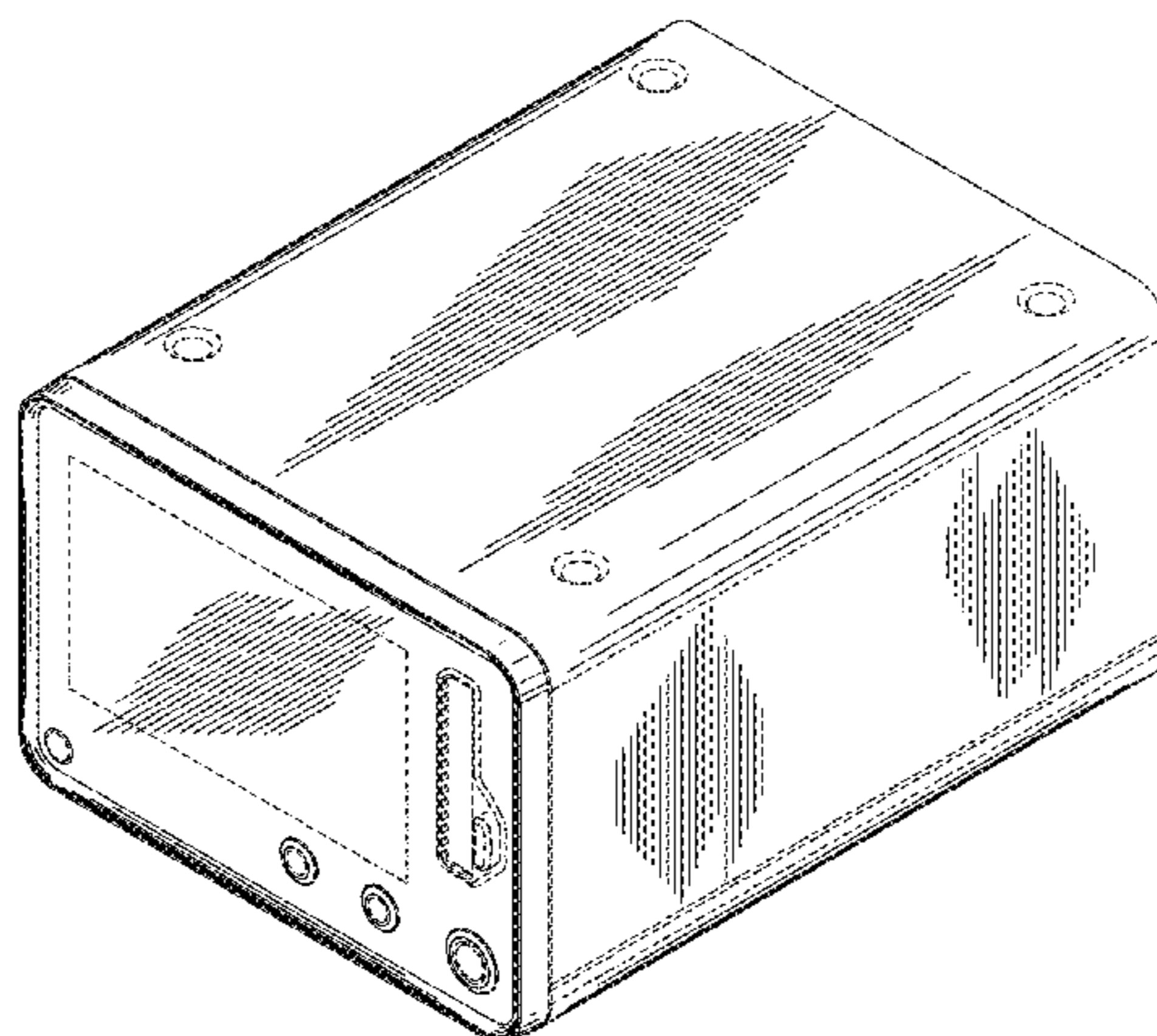
(57) **CLAIM**

The ornamental design for an ultrasonic surgical console, as shown and described.

**DESCRIPTION**

FIG. 1 is a top, front right perspective view of an ultrasonic surgical console showing our new design;  
FIG. 2 is a top, front left perspective view of the ultrasonic surgical console showing the new design;  
FIG. 3 is a bottom, front right perspective view of the ultrasonic surgical console showing the new design;  
FIG. 4 is a bottom, front left perspective view of the ultrasonic surgical console showing the new design;  
FIG. 5 is a top, rear right perspective view of the ultrasonic surgical console showing the new design;  
FIG. 6 is a top, rear left perspective view of the ultrasonic surgical console showing the new design;  
FIG. 7 is a bottom, rear right perspective view of the ultrasonic surgical console showing the new design;  
FIG. 8 is a bottom, rear left perspective view of the ultrasonic surgical console showing the new design;  
FIG. 9 is a left side elevational view of the ultrasonic surgical console showing the new design;  
FIG. 10 is a right side elevational view of the ultrasonic surgical console showing the new design;  
FIG. 11 is a top plan view of the ultrasonic surgical console showing the new design;  
FIG. 12 is a bottom plan view of the ultrasonic surgical console showing the new design;  
FIG. 13 is a front elevational view of the ultrasonic surgical console showing the new design;  
FIG. 14 is an enlarged view of an opening for a power button taken from the circled section of FIG. 13; and,  
FIG. 15 is a rear elevational view of the ultrasonic surgical console showing the new design.  
In the drawings, the broken lines show unclaimed portions of the ultrasonic surgical console that form no part of the claimed design. The broken lines on the left and right sides of the design, and the broken line rectangular shape on the

(Continued)



front of the design represent unclaimed surface ornamentation that forms no part of the claimed design.

**1 Claim, 14 Drawing Sheets**

(58) **Field of Classification Search**

CPC ..... G01N 2035/00306; G01N 2035/00326;  
G01N 2035/00336; G01N 2030/027;  
A61B 2017/00973; A61B 2017/00115;  
A61B 2017/00199; A61B 2017/00225

See application file for complete search history.

(56) **References Cited**

U.S. PATENT DOCUMENTS

6,329,778 B1 12/2001 Culp et al.  
6,623,423 B2 9/2003 Sakurai et al.  
6,752,816 B2 6/2004 Culp et al.  
D534,654 S \* 1/2007 Hayamizu ..... D24/107  
7,217,269 B2 5/2007 Ei-Galley et al.  
7,238,010 B2 \* 7/2007 Hersberger .... A61B 17/32002  
417/477.2  
7,476,233 B1 \* 1/2009 Wiener ..... A61B 17/32006  
606/169  
D631,160 S \* 1/2011 Schurg ..... D24/144  
7,918,852 B2 \* 4/2011 Tullis  
D640,376 S \* 6/2011 Amano ..... D24/107  
D689,195 S \* 9/2013 Nelsen ..... D24/107  
8,597,287 B2 \* 12/2013 Benamou ..... A61B 18/1233  
606/1  
D704,839 S \* 5/2014 Juzkiw ..... D24/170

D716,470 S \* 10/2014 Nelsen ..... D24/107  
D734,475 S \* 7/2015 Ross ..... D24/185  
D784,533 S \* 4/2017 Hayamizu ..... D24/138  
D797,918 S \* 9/2017 Genstler ..... D24/107  
D808,014 S \* 1/2018 Kang ..... D24/138

OTHER PUBLICATIONS

Stryker Corporation, "CORE Console-Features and Benefits", 2017, pp. 1-5.  
Stryker Corporation, "Powered Instrument Driver", 2017, 2 pages.  
Soma Technology, Inc., "The Stryker MultigGen Radiofrequency Generator", Apr. 16, 2014, 2 pages.  
Stryker Corporation, "SONOPET Ultrasonic Aspirator Equipment Guide", 2016, 4 pages.  
Stryker Corporation, "SONOPET Ultrasonic Aspirator ProCare Service", 2016, 2 pages.  
Stryker Corporation, "SONOPET Ultrasonic Aspirator—Features and Benefits", 2017, 5 pages.  
Stryker Corporation, "The Complete Guide to SONOPET", 2016, 12 pages.  
Stryker Corporation, "SONOPET Ultrasonic Aspirator Product Catalog", 2016, pp. 1-19.  
YouTube, "Stryker Multi-Gen Monopolar Procedure Animation", [https://www.youtube.com/watch?v=TuIVN\\_O-xDk](https://www.youtube.com/watch?v=TuIVN_O-xDk), Sep. 28, 2009, 3 pages.  
YouTube, "Stryker 9100001425 SONOPET Setup Video", <https://www.youtube.com/watch?v=xkAooHgdjuY>, Dec. 20, 2013, 3 pages.  
YouTube, "Stryker Core Powered Instrument Driver", <https://www.youtube.com/watch?v=CroEOeQbXs8>, Sep. 5, 2014, 3 pages.  
YouTube, "Stryker Core w/Sumex Hand Piece", <https://www.youtube.com/watch?v=0kEbMx6NA3M>, May 13, 2016, 3 pages.

\* cited by examiner



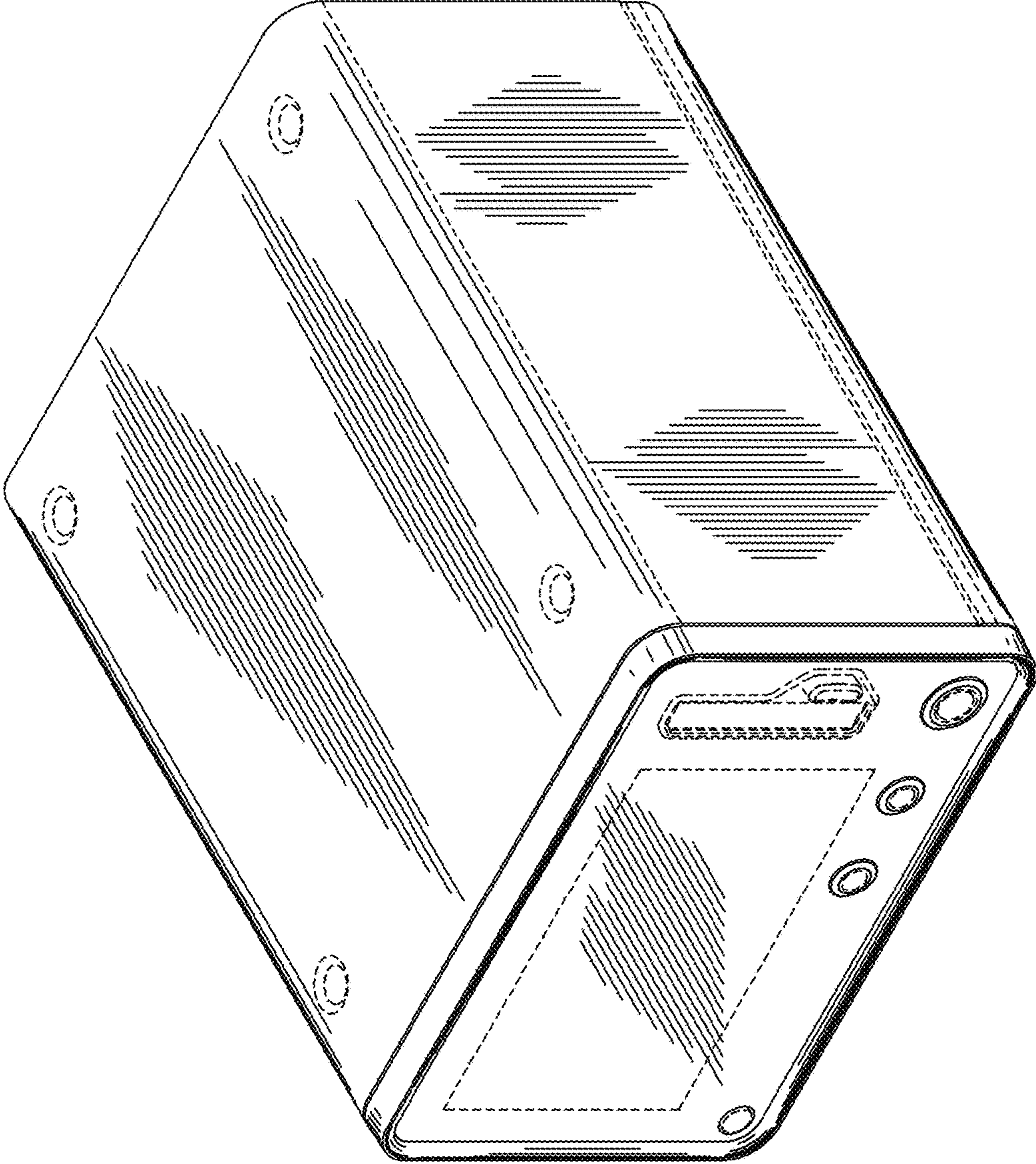


FIG. 1

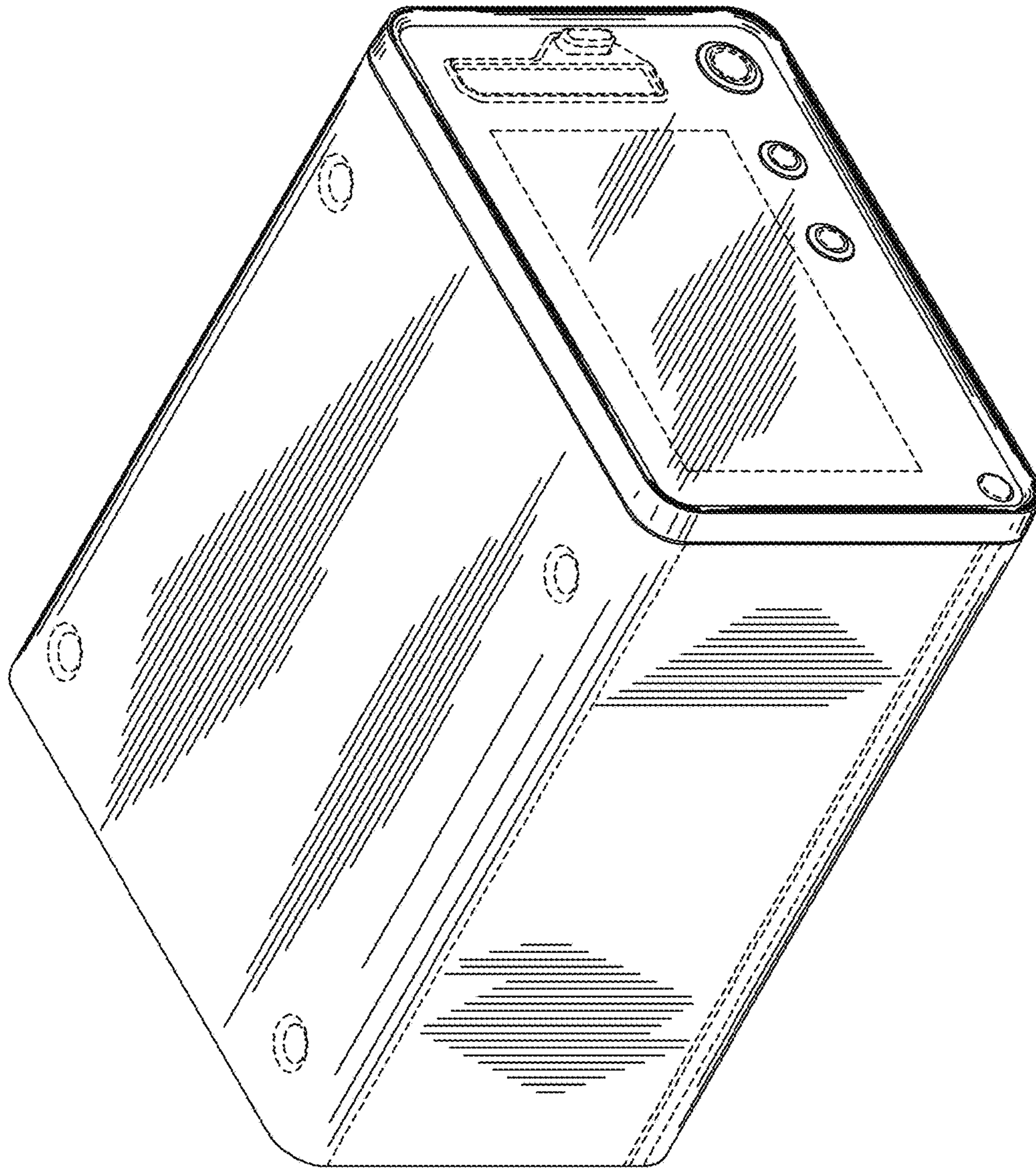


FIG. 2

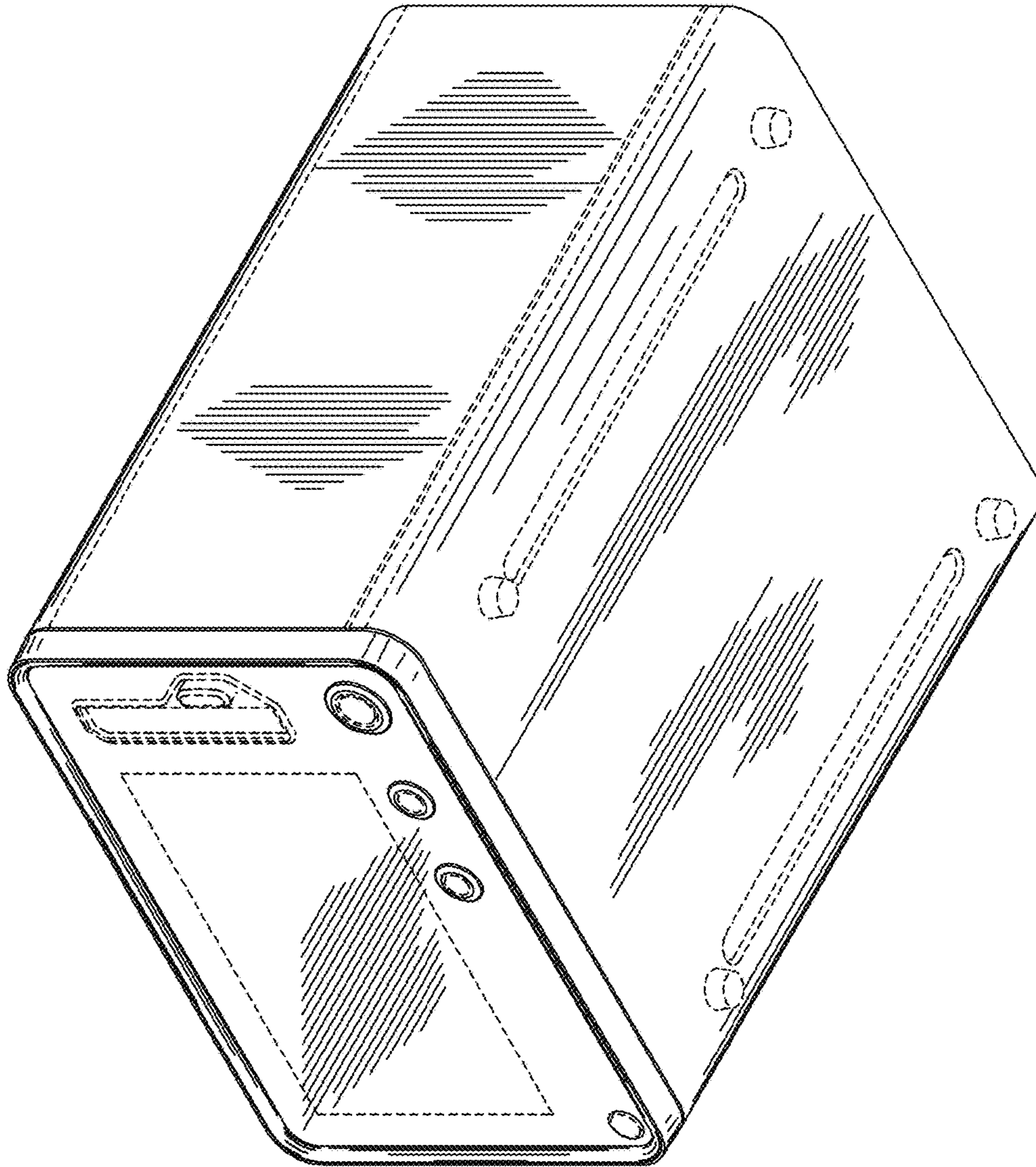


FIG. 3



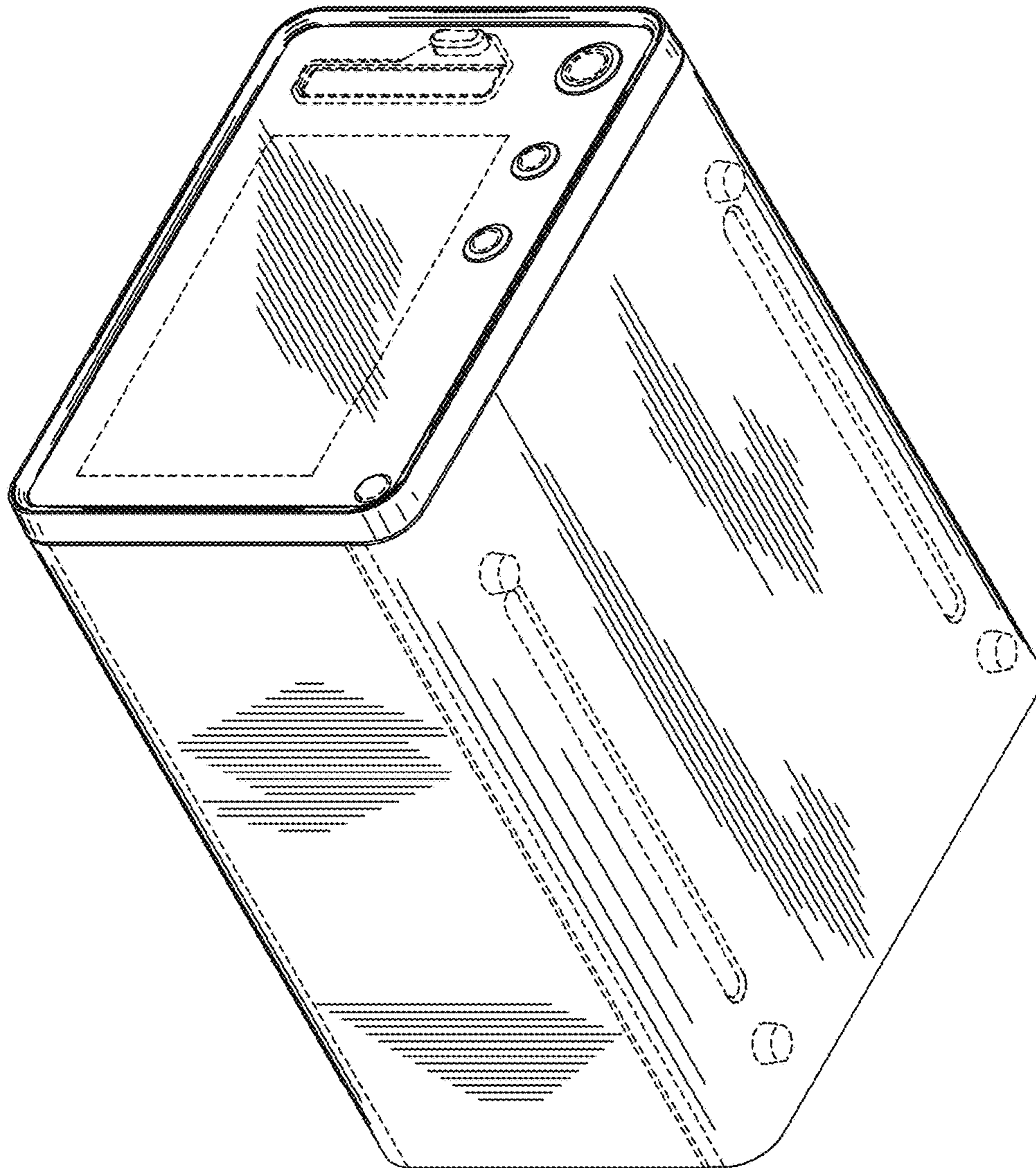


FIG. 4

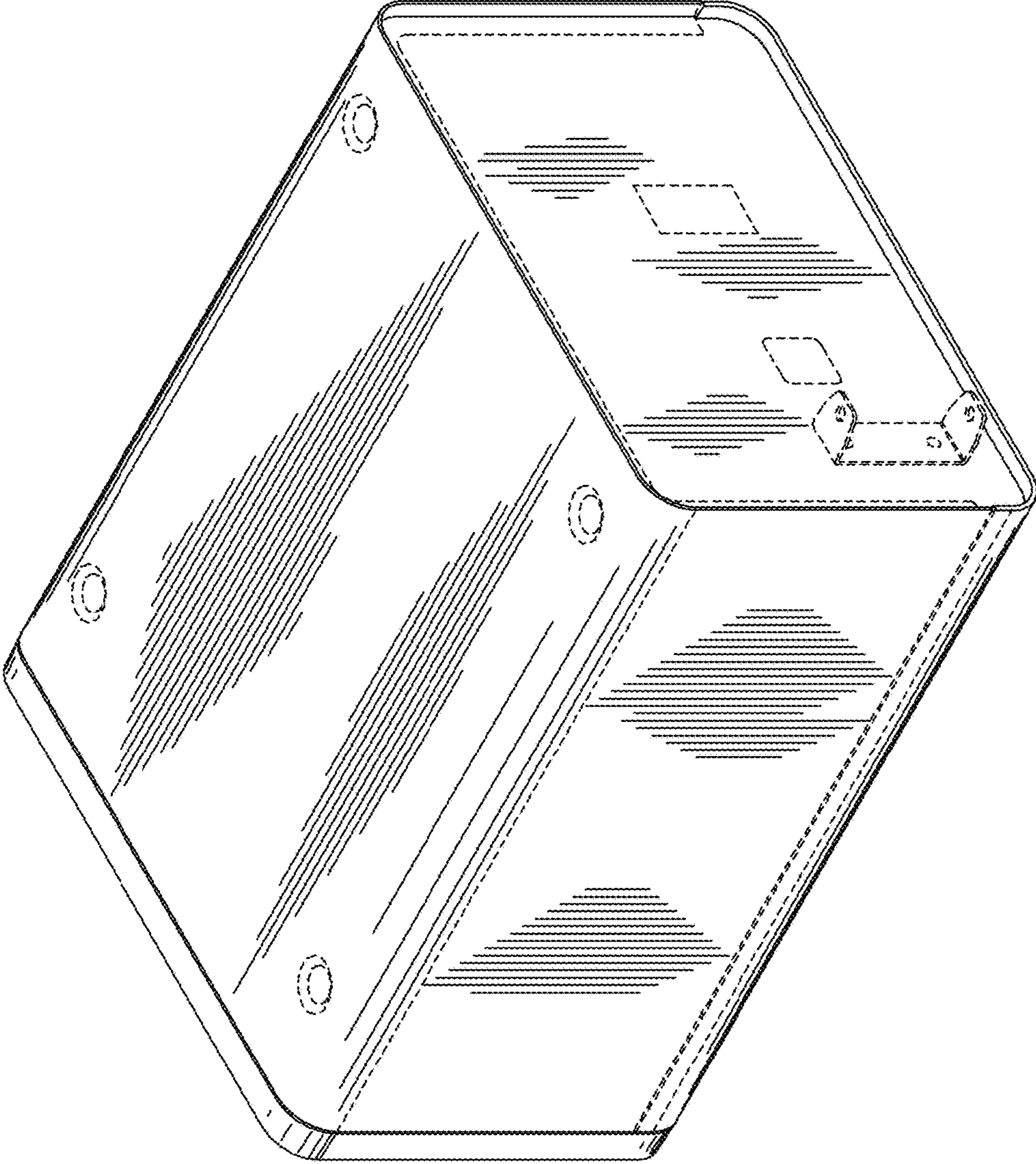


FIG. 5

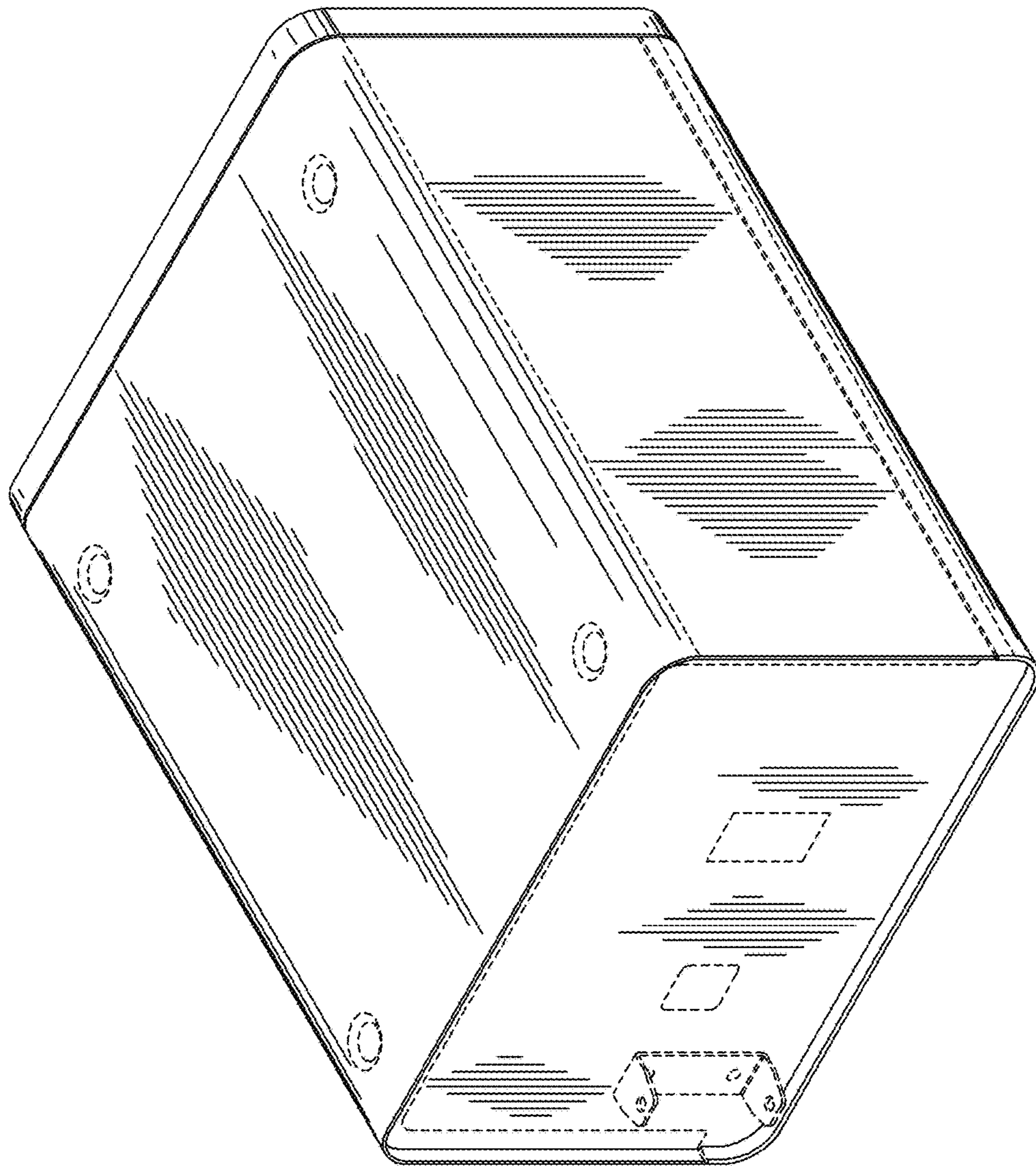


FIG. 6



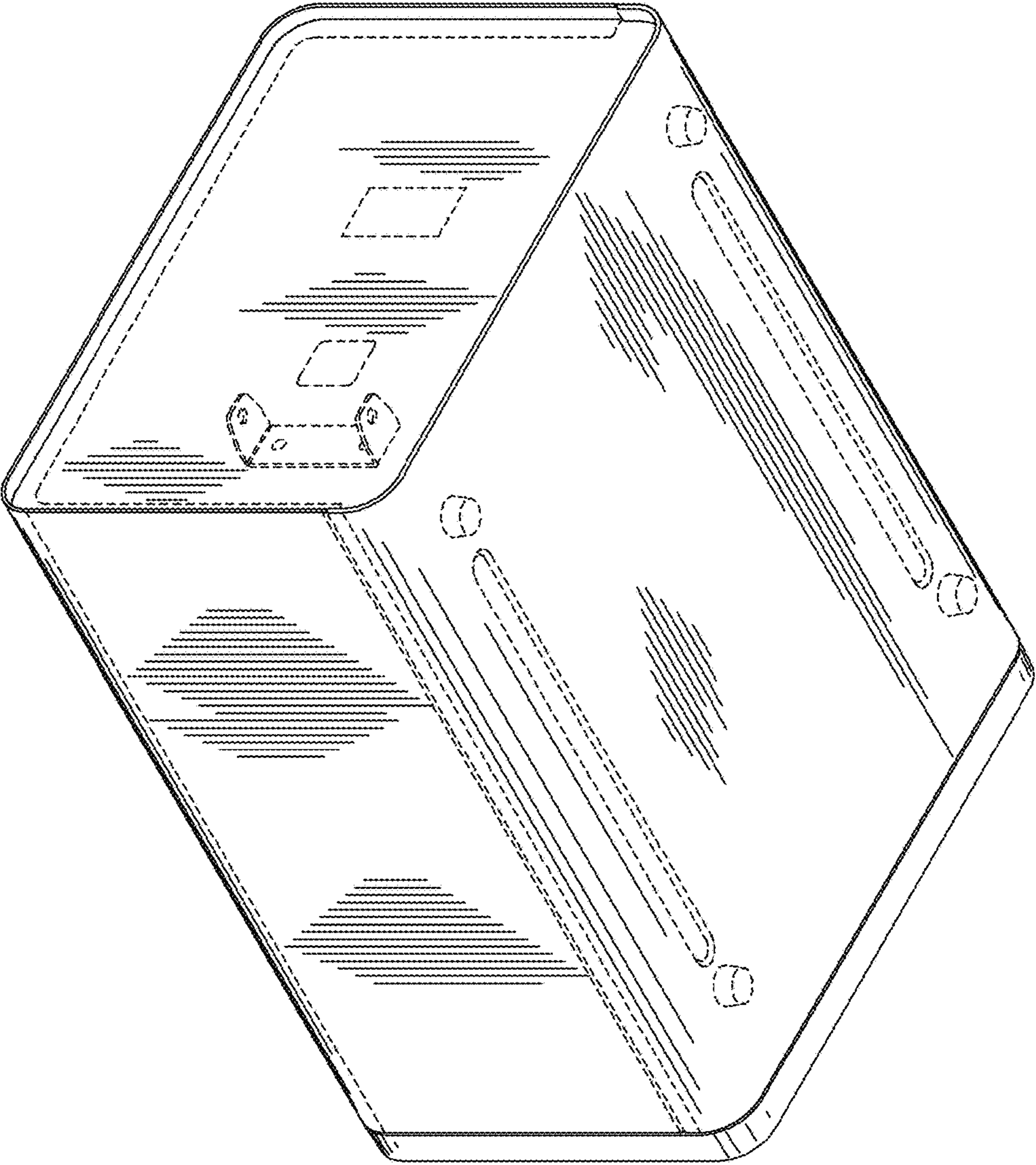


FIG. 7

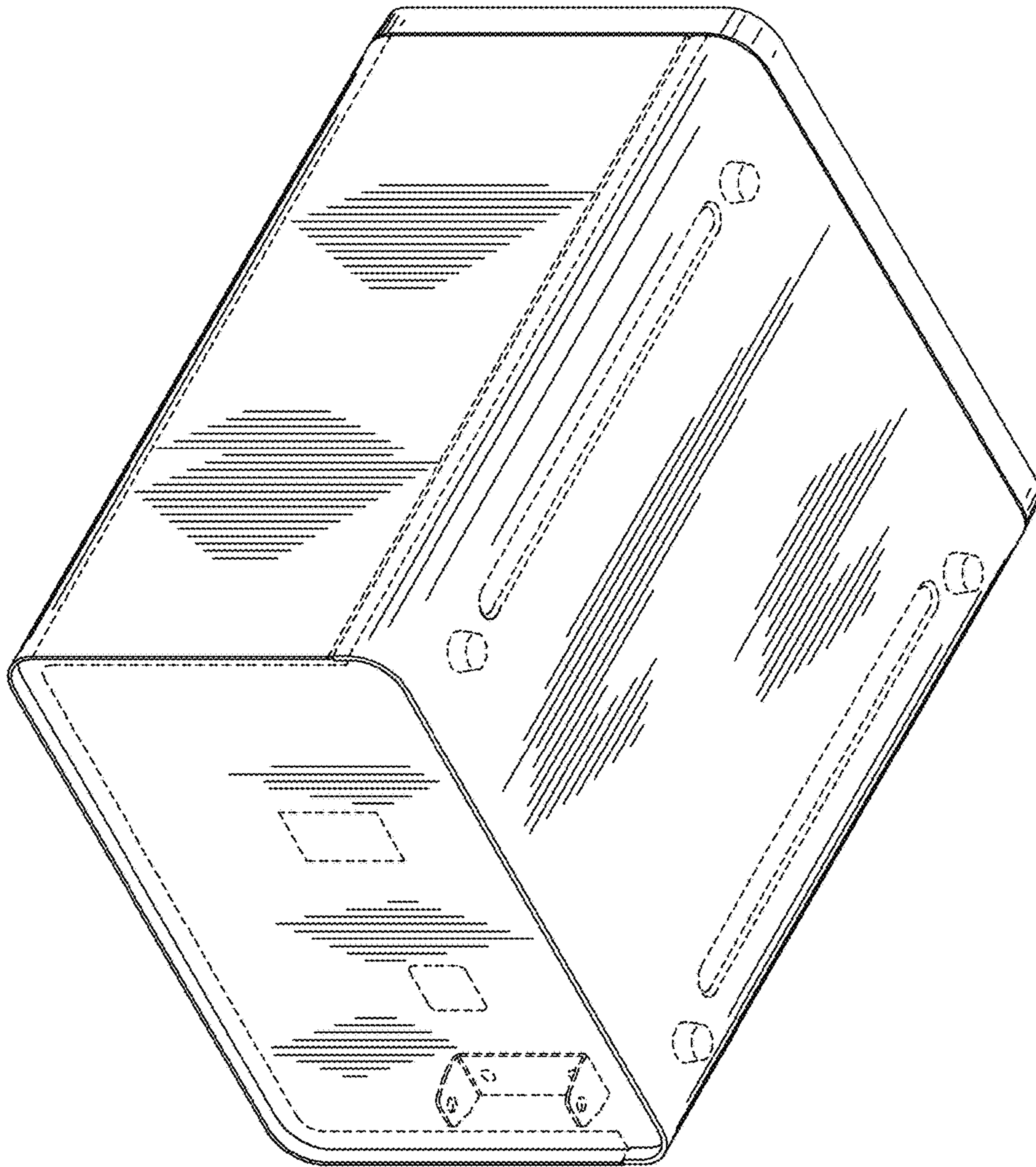


FIG. 8

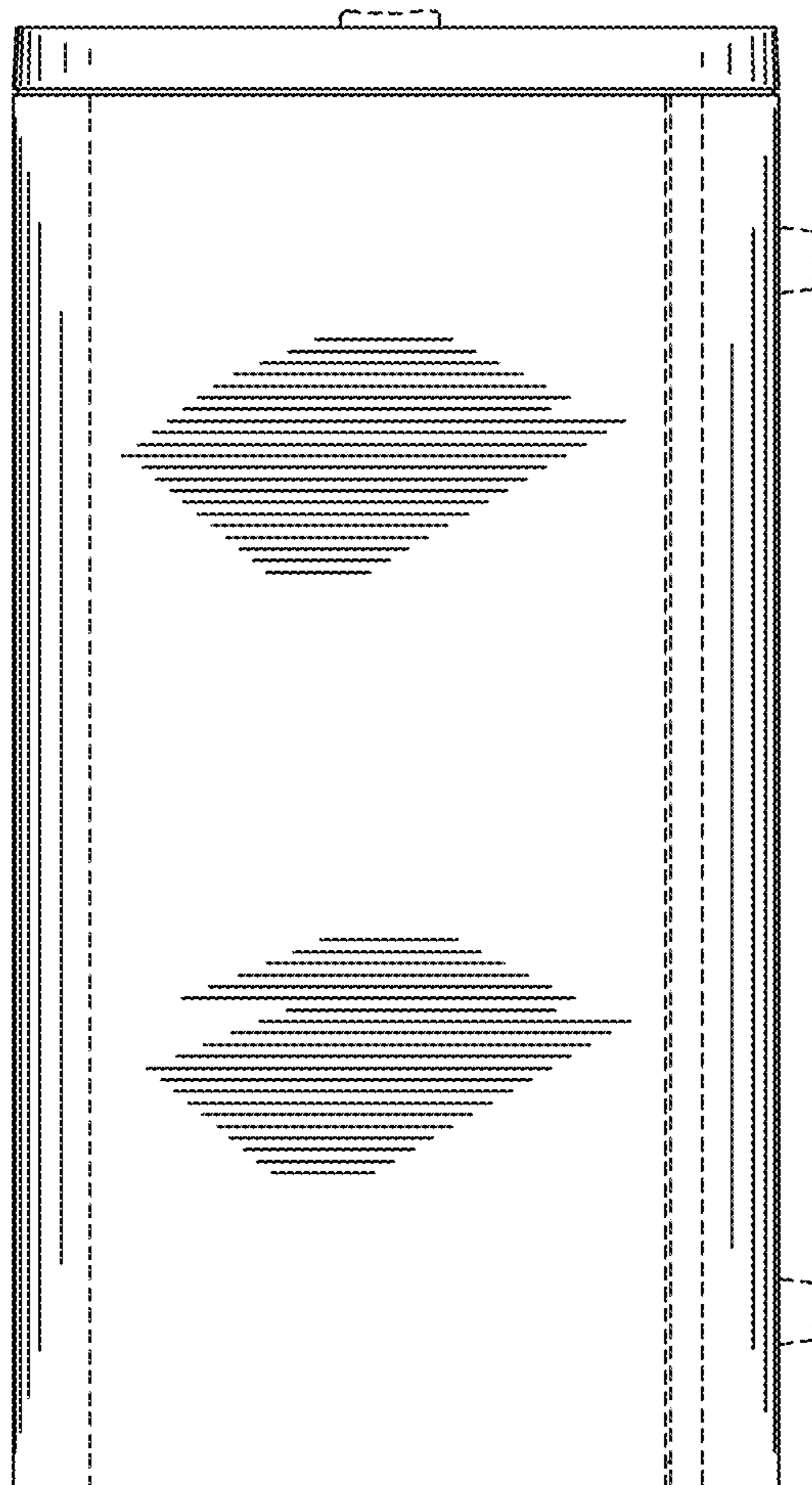


FIG. 9



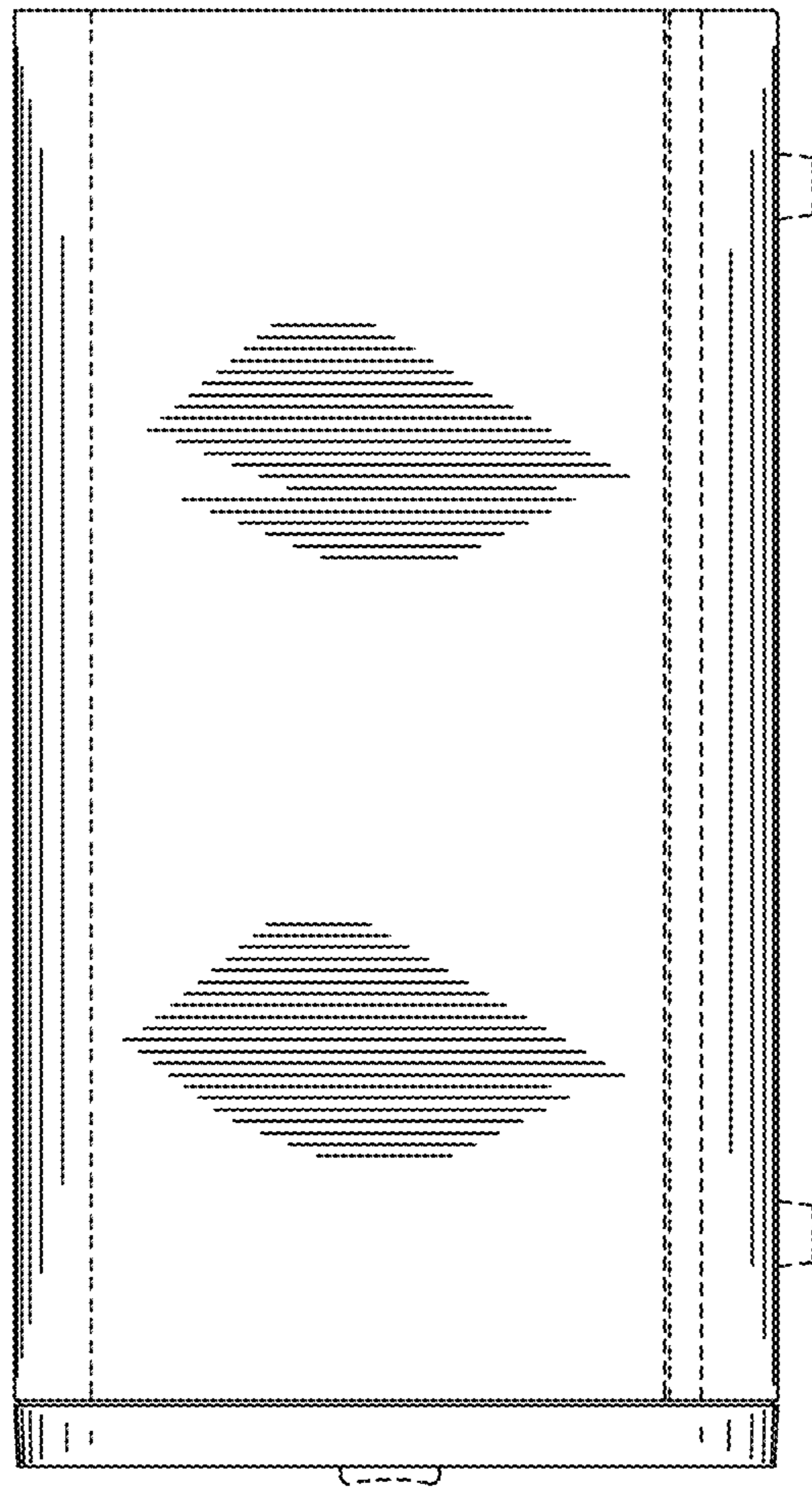


FIG. 10

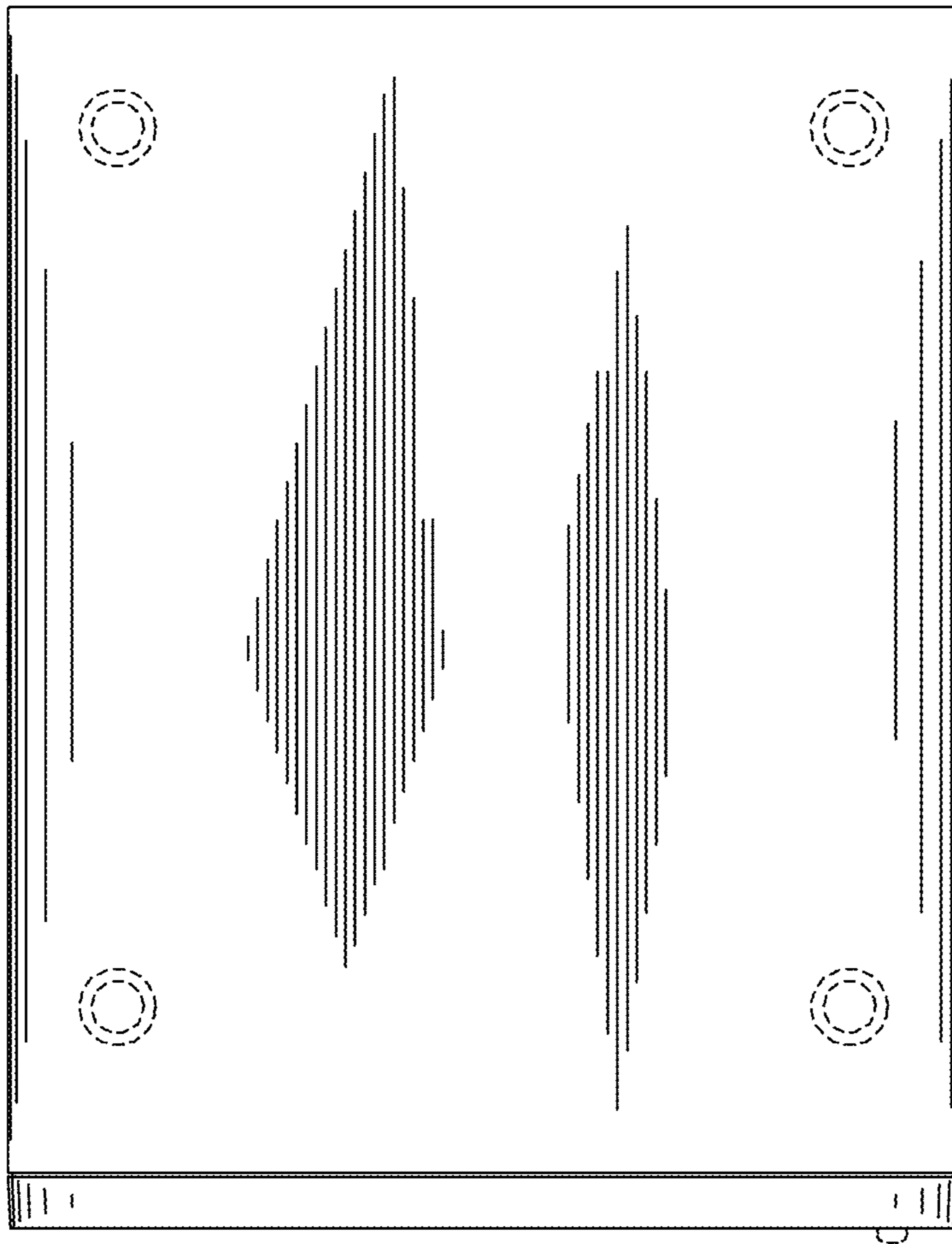


FIG. 11

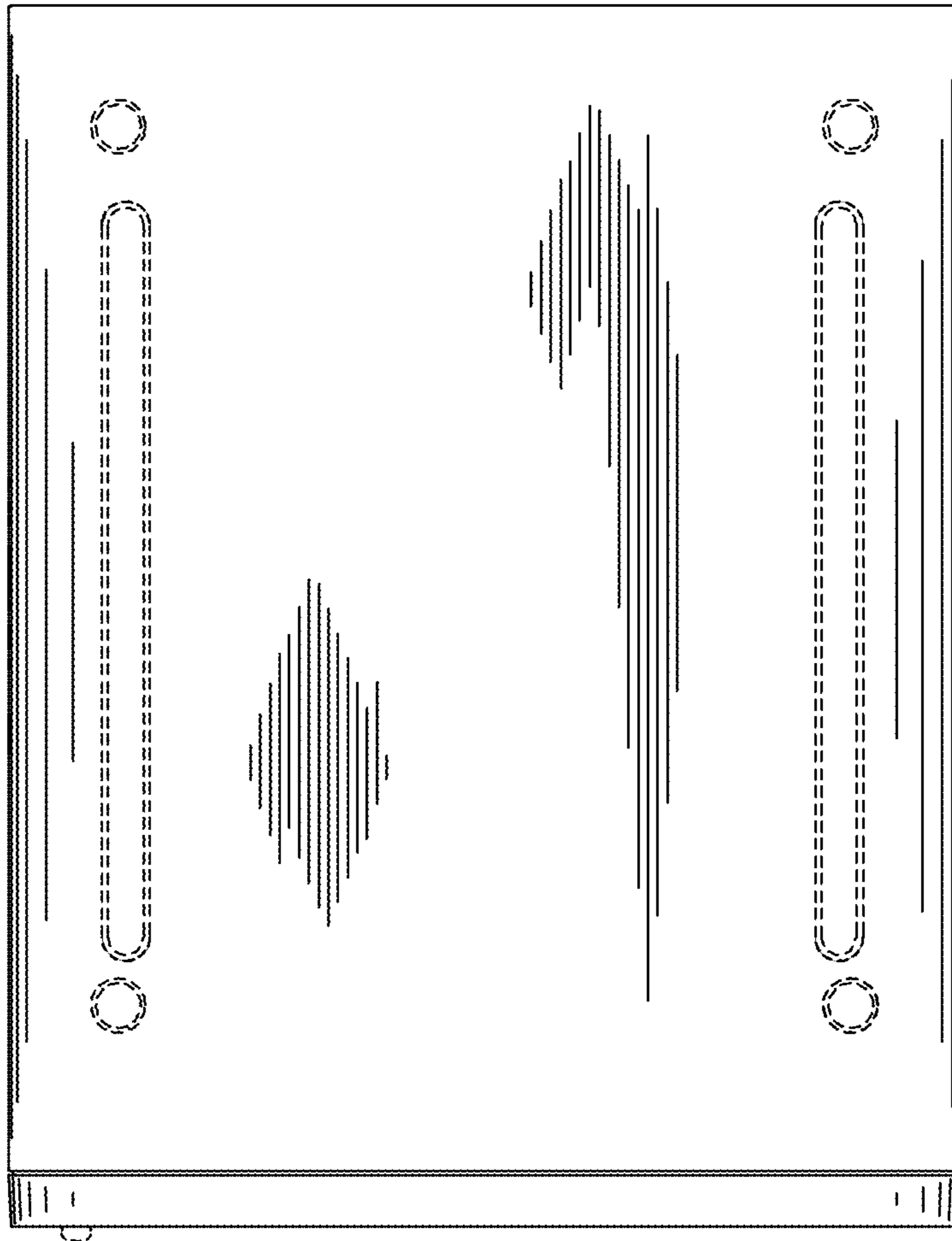


FIG. 12



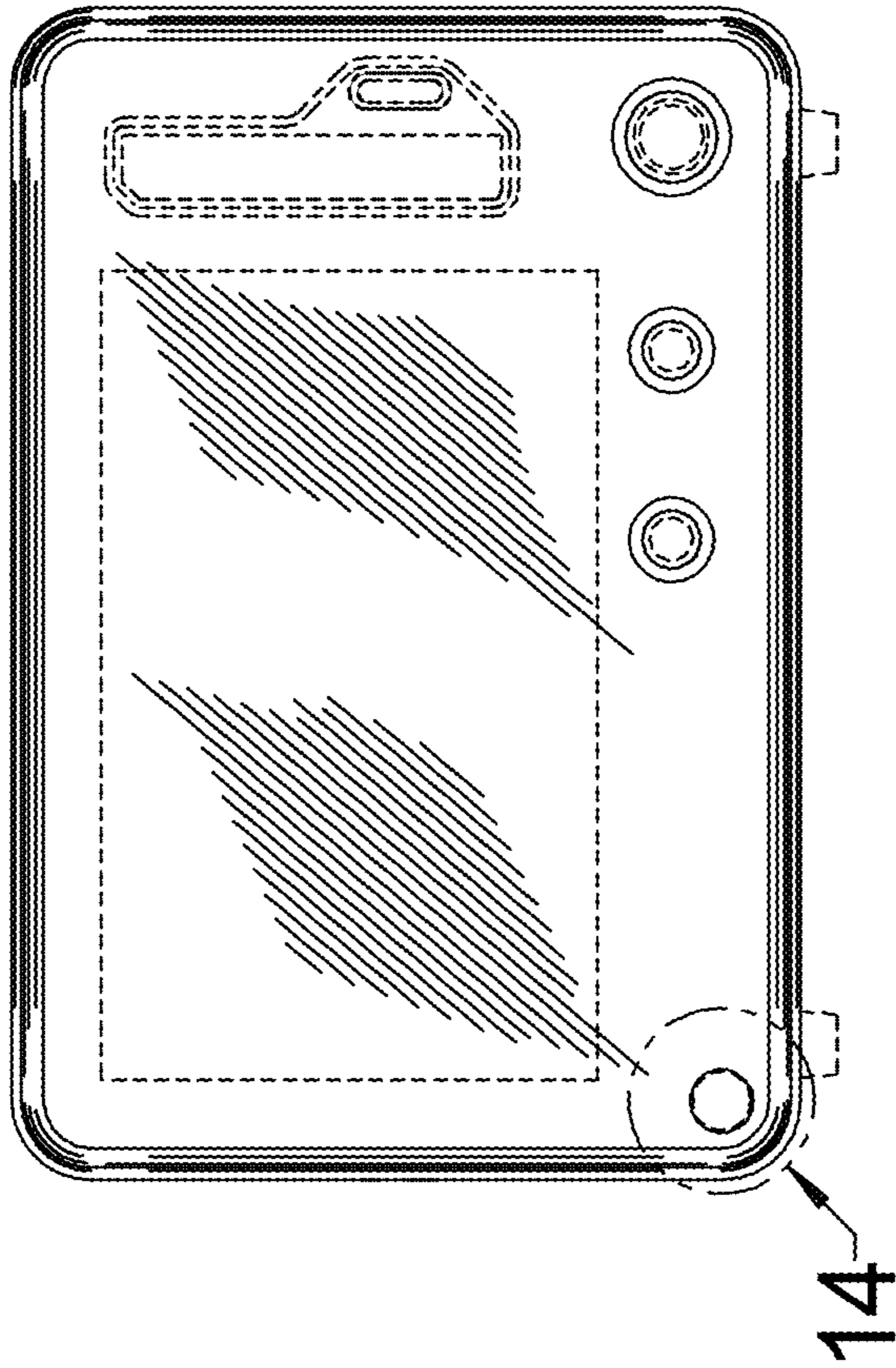


FIG. 13

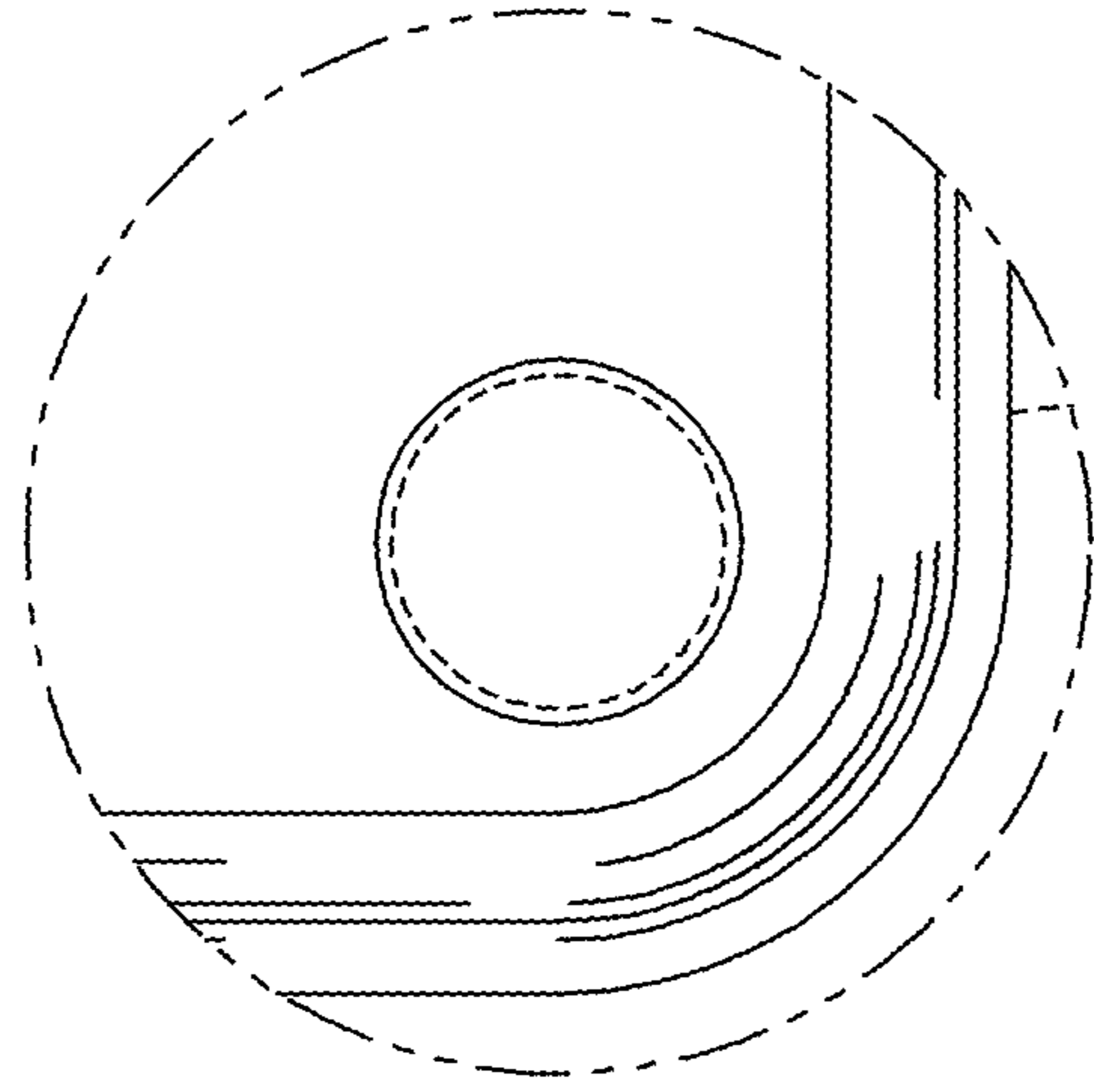


FIG. 14

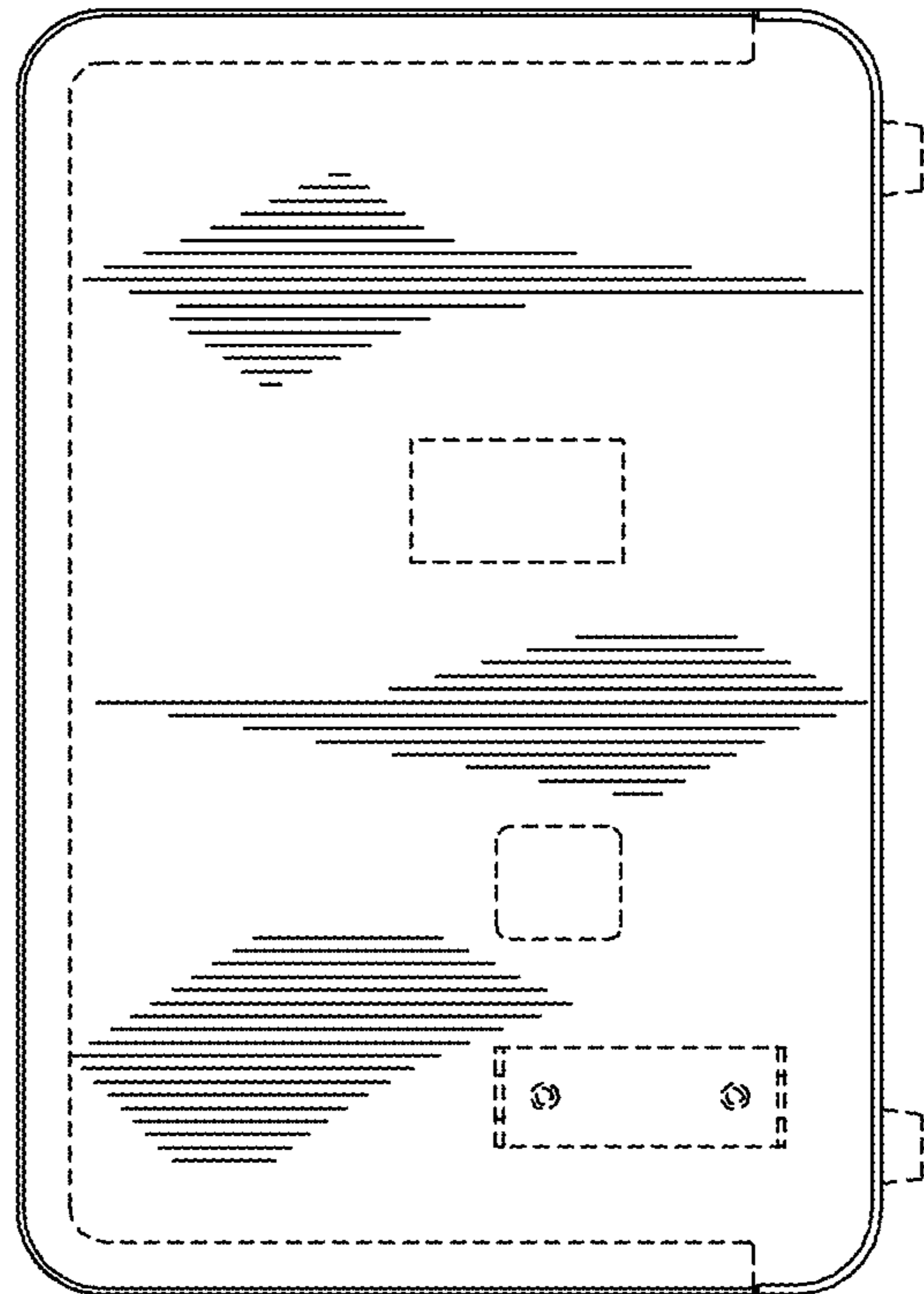


FIG. 15