



US00D846742S

(12) **United States Design Patent**
Rose et al.

(10) **Patent No.:** **US D846,742 S**
(45) **Date of Patent:** **** Apr. 23, 2019**

(54) **BAG FOR PORTABLE OXYGEN
CONCENTRATOR**
(71) Applicant: **KONINKLIJKE PHILIPS N.V.**,
Eindhoven (NL)
(72) Inventors: **Phillip Rose**, Monroeville, PA (US);
Jeffrey Andrew Pipe, Monroeville, PA
(US); **Yutian Li**, Monroeville, PA (US);
Matthew Michael Julian, Monroeville,
PA (US)
(73) Assignee: **KONINKLIJKE PHILIPS N.V.**,
Eindhoven (NL)

D290,403 S *	6/1987	Sink	D24/121
D320,445 S *	10/1991	Jones	D24/162
D382,055 S *	8/1997	Cassidy	D24/118
D490,155 S *	5/2004	Nakamura	D24/164
D513,074 S *	12/2005	Nakamura	D24/164
D549,342 S *	8/2007	Ross	D24/164
D604,418 S *	11/2009	Jones	D24/165
D606,655 S *	12/2009	Wilkinson	D24/164
D693,005 S *	11/2013	Nawata	D24/164
D745,137 S *	12/2015	Pipe	D24/108

* cited by examiner

Primary Examiner — Rhea Shields

(**) Term: **15 Years**
(21) Appl. No.: **29/560,390**
(22) Filed: **Apr. 6, 2016**
(51) **LOC (11) Cl.** **24-02**
(52) **U.S. Cl.**
USPC **D24/164**
(58) **Field of Classification Search**
USPC D24/164, 162, 108, 165, 118, 121;
215/11.6; 224/191
CPC A47J 41/02; H04R 25/04
See application file for complete search history.

(57) **CLAIM**

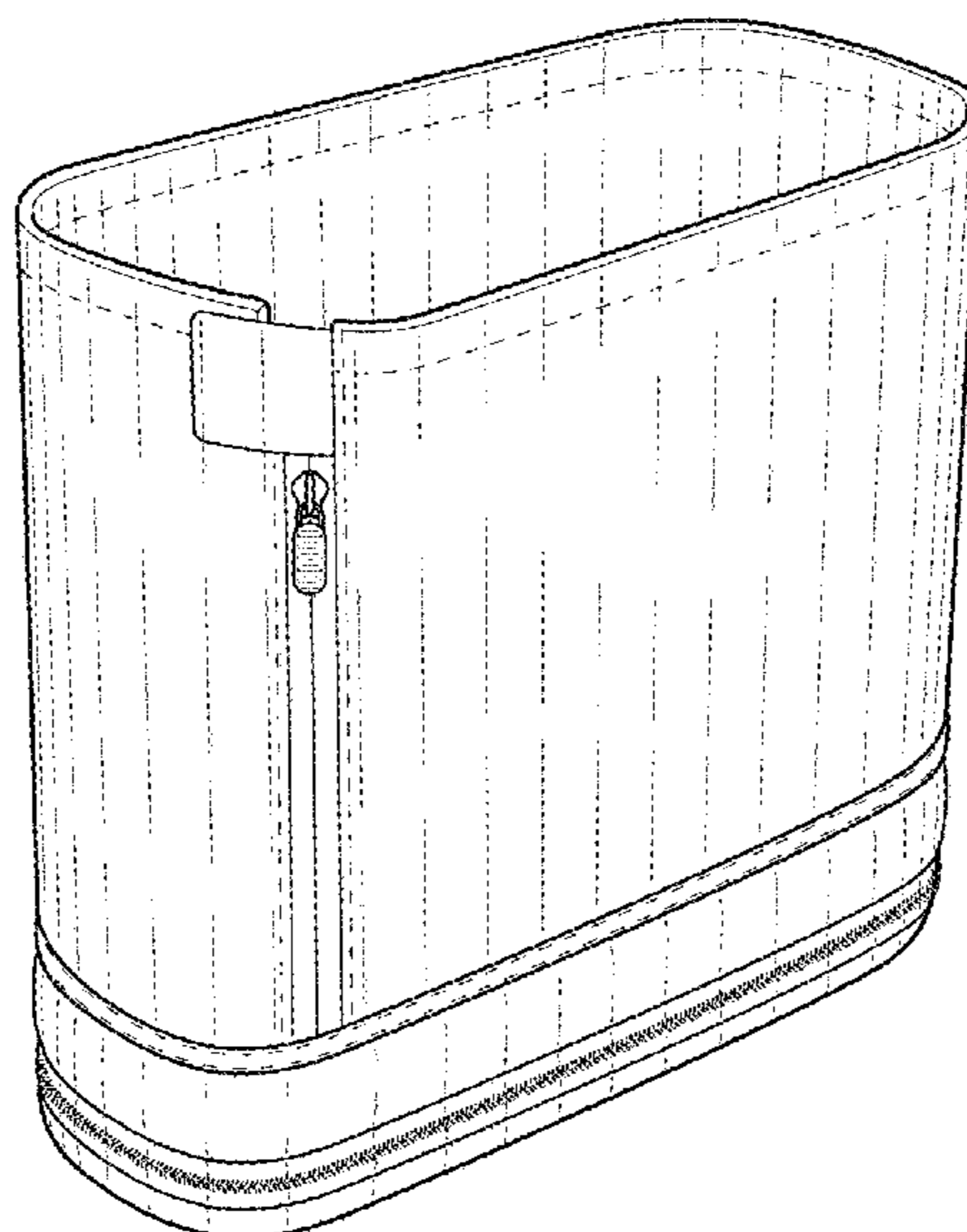
The ornamental design for a bag for portable oxygen con-
centrator, as shown and described.

DESCRIPTION

FIG. 1 is a perspective view showing my design;
FIG. 2 is a front elevational view thereof;
FIG. 3 is a rear elevational view thereof;
FIG. 4 is a right side elevational view thereof;
FIG. 5 is a left side elevational view thereof;
FIG. 6 is a top plan view thereof; and,
FIG. 7 is a bottom plan view thereof.
The broken lines in the drawings illustrate portions of the
bag for portable oxygen concentrator that form no part of the
claimed design.

(56) **References Cited**
U.S. PATENT DOCUMENTS
784,914 A * 3/1905 Boyle A47J 41/02
215/11.6
2,387,232 A * 10/1945 Brede H04R 25/04
224/191

1 Claim, 5 Drawing Sheets



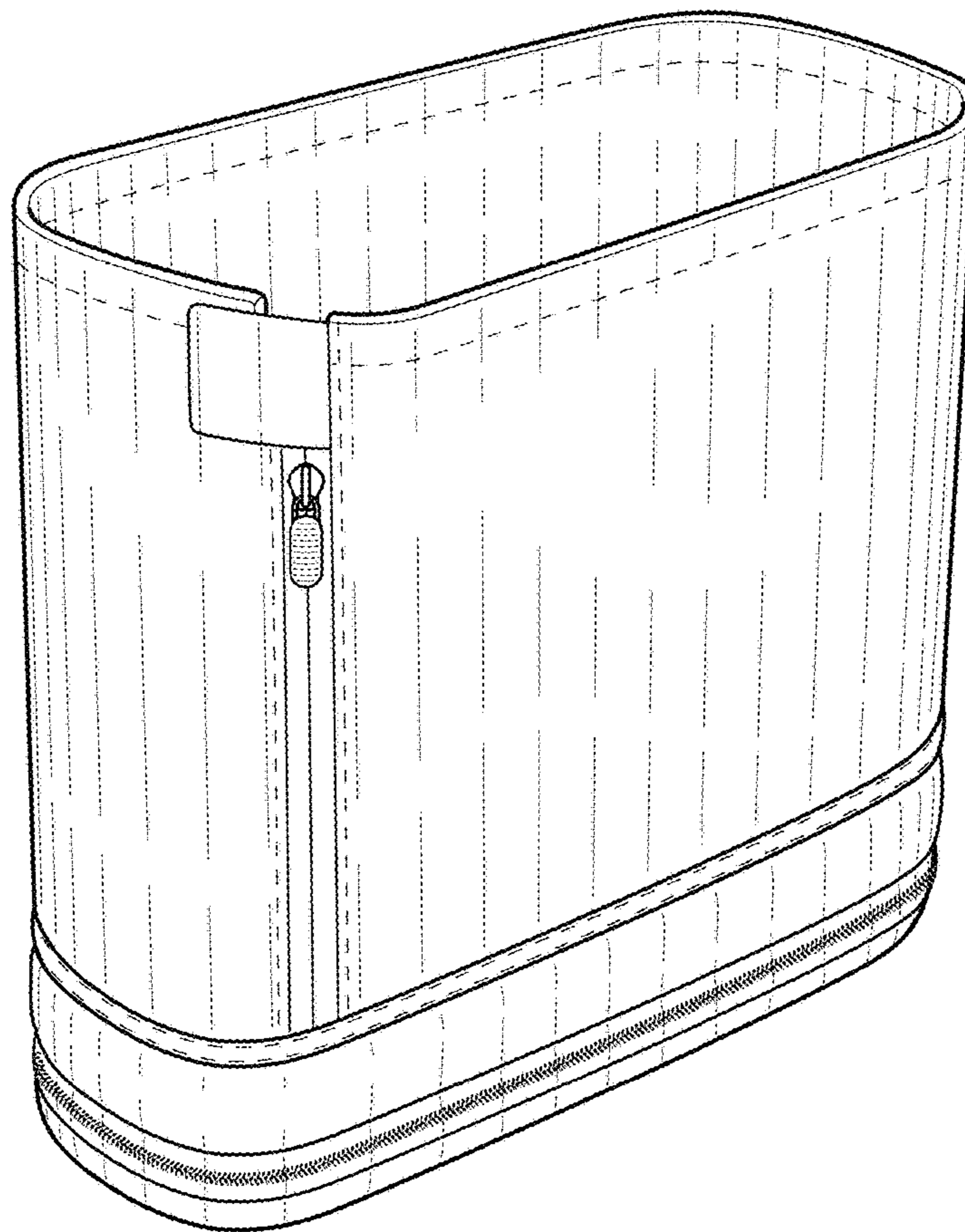


FIG. 1

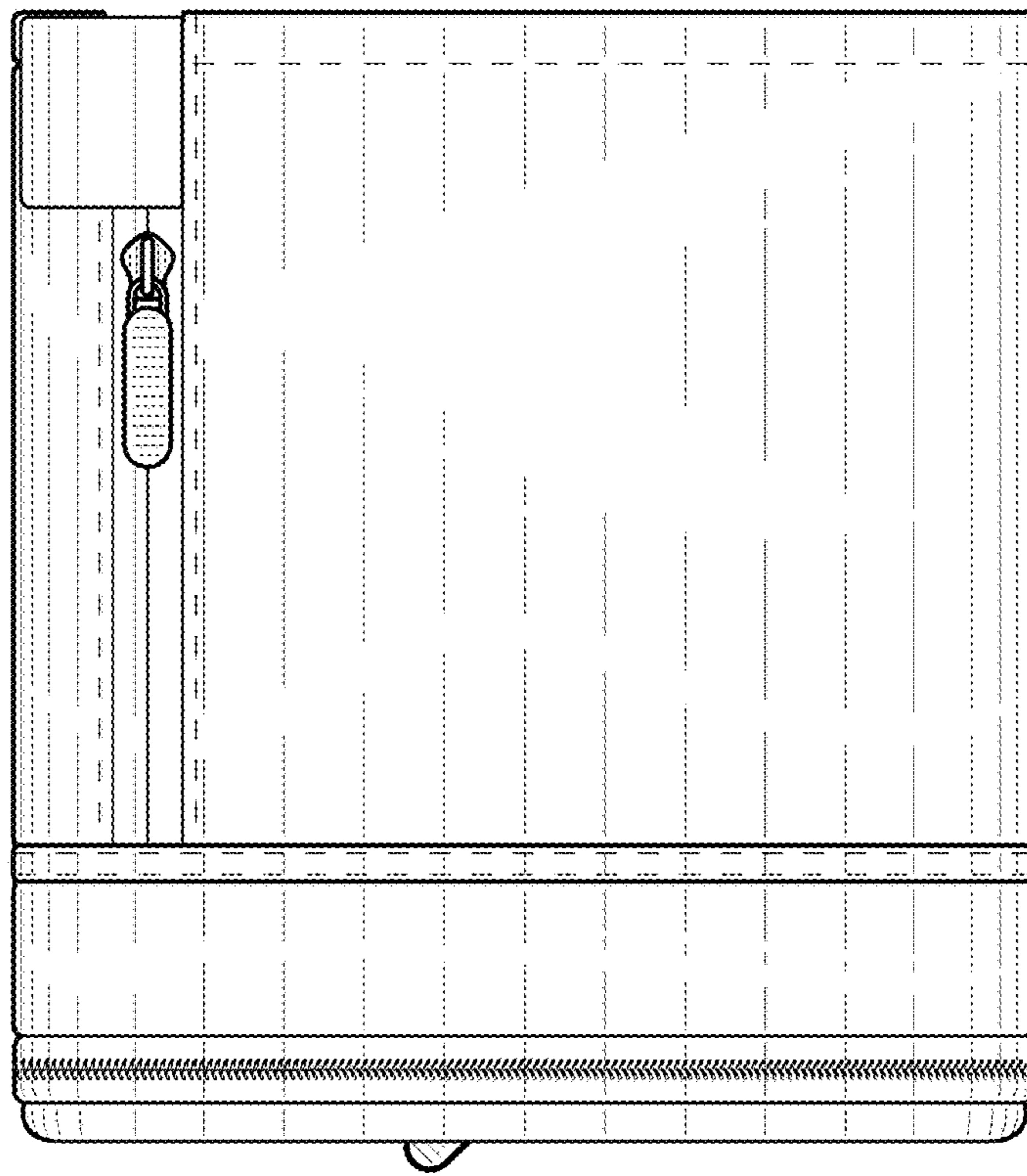


FIG. 2

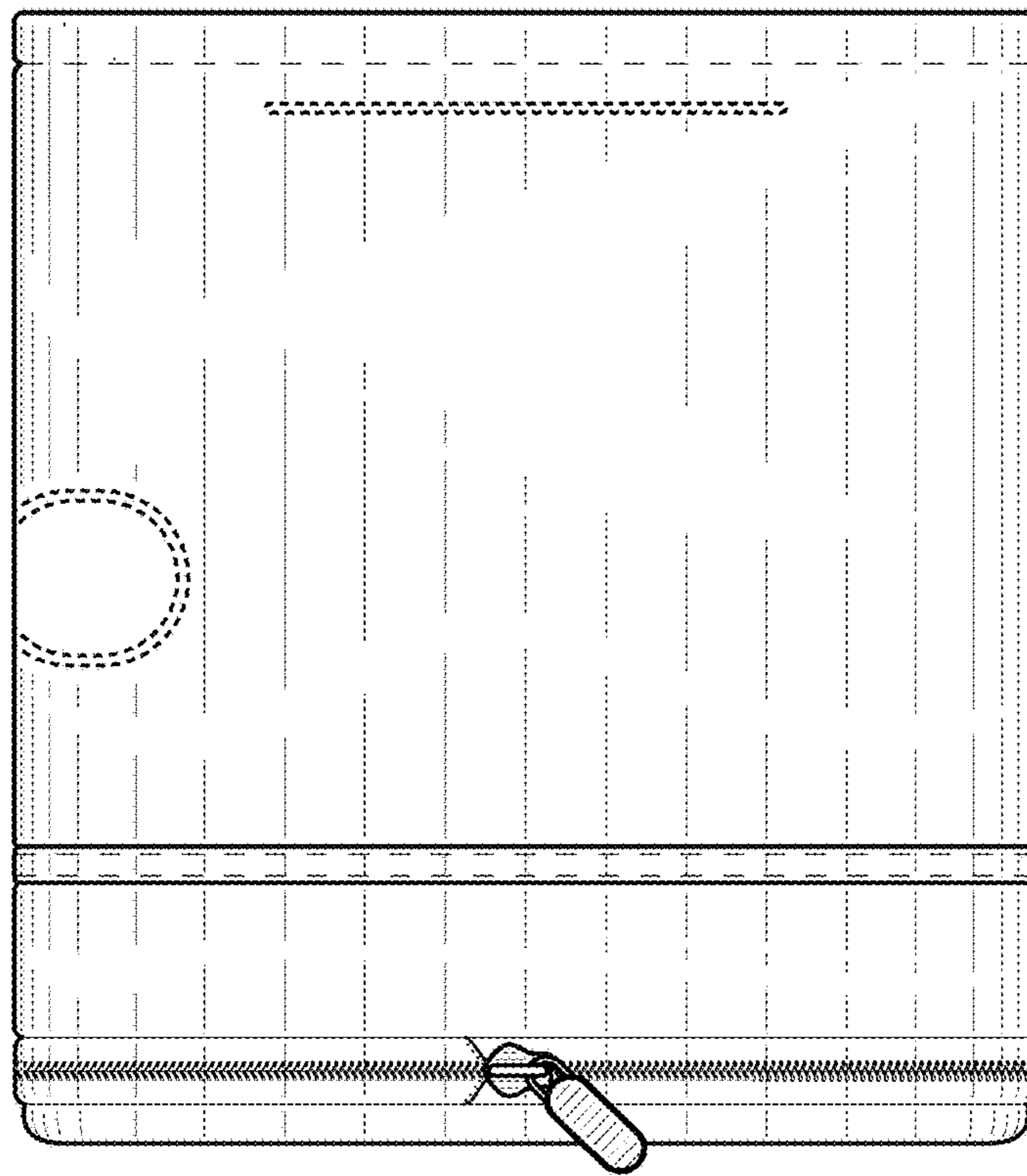


FIG. 3

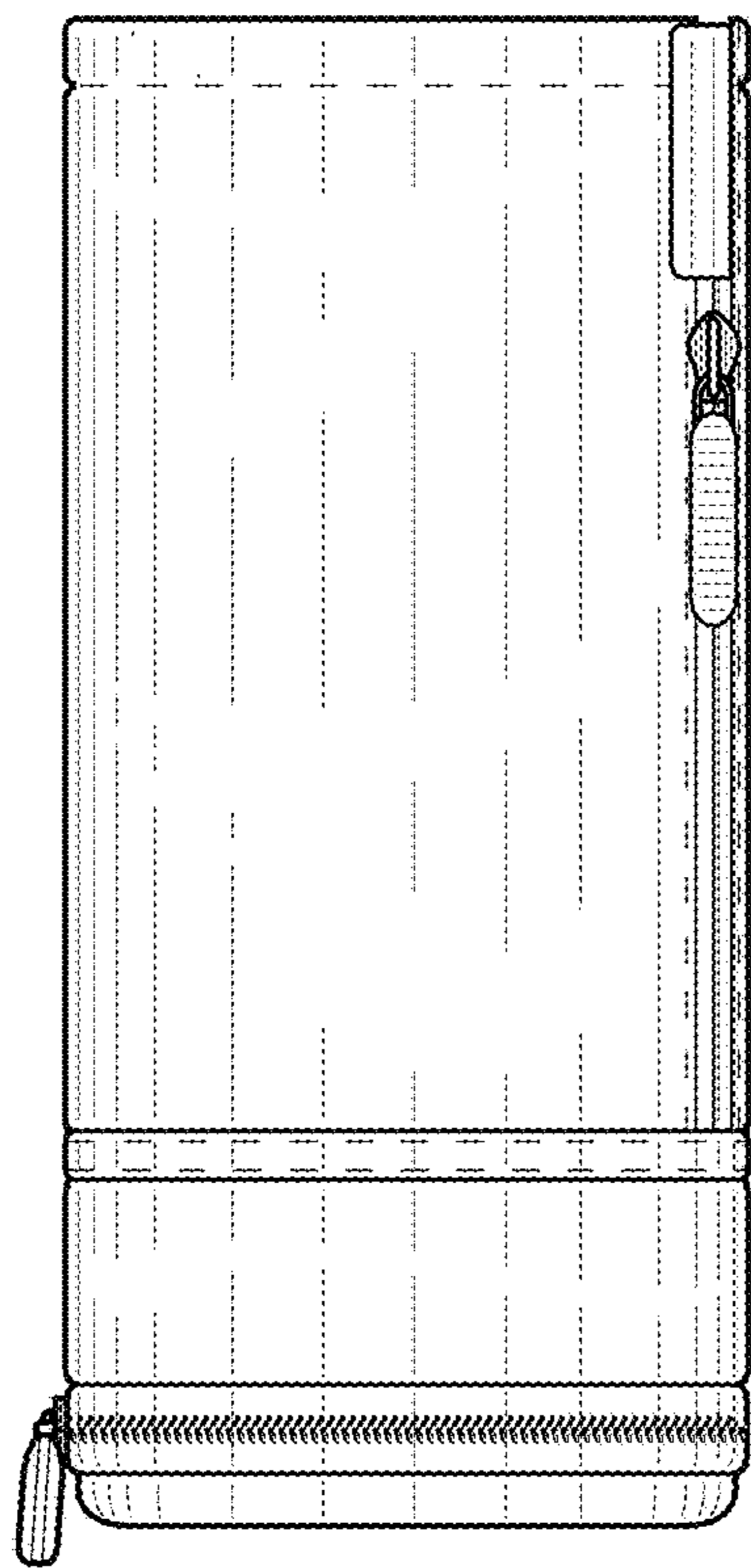


FIG. 4

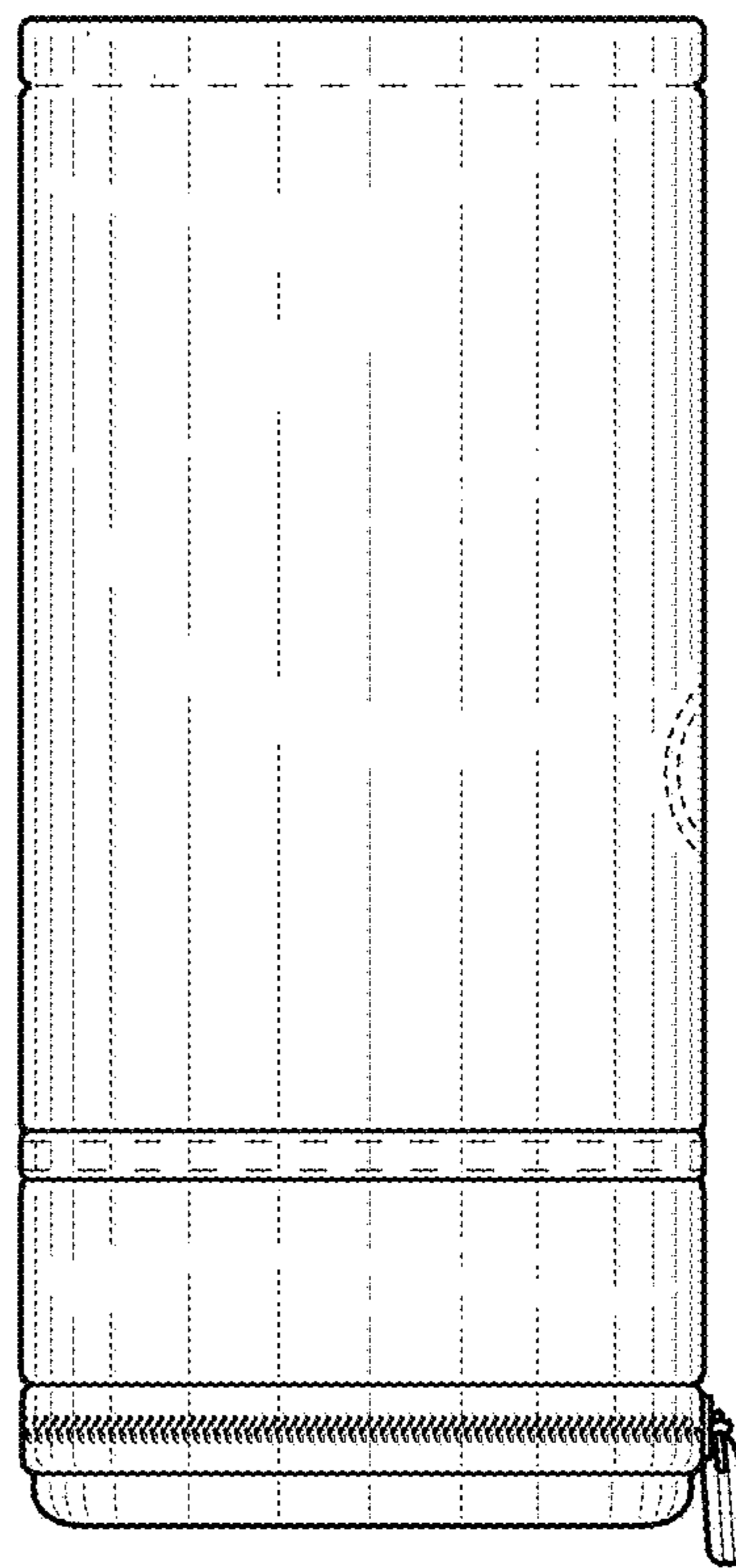


FIG. 5

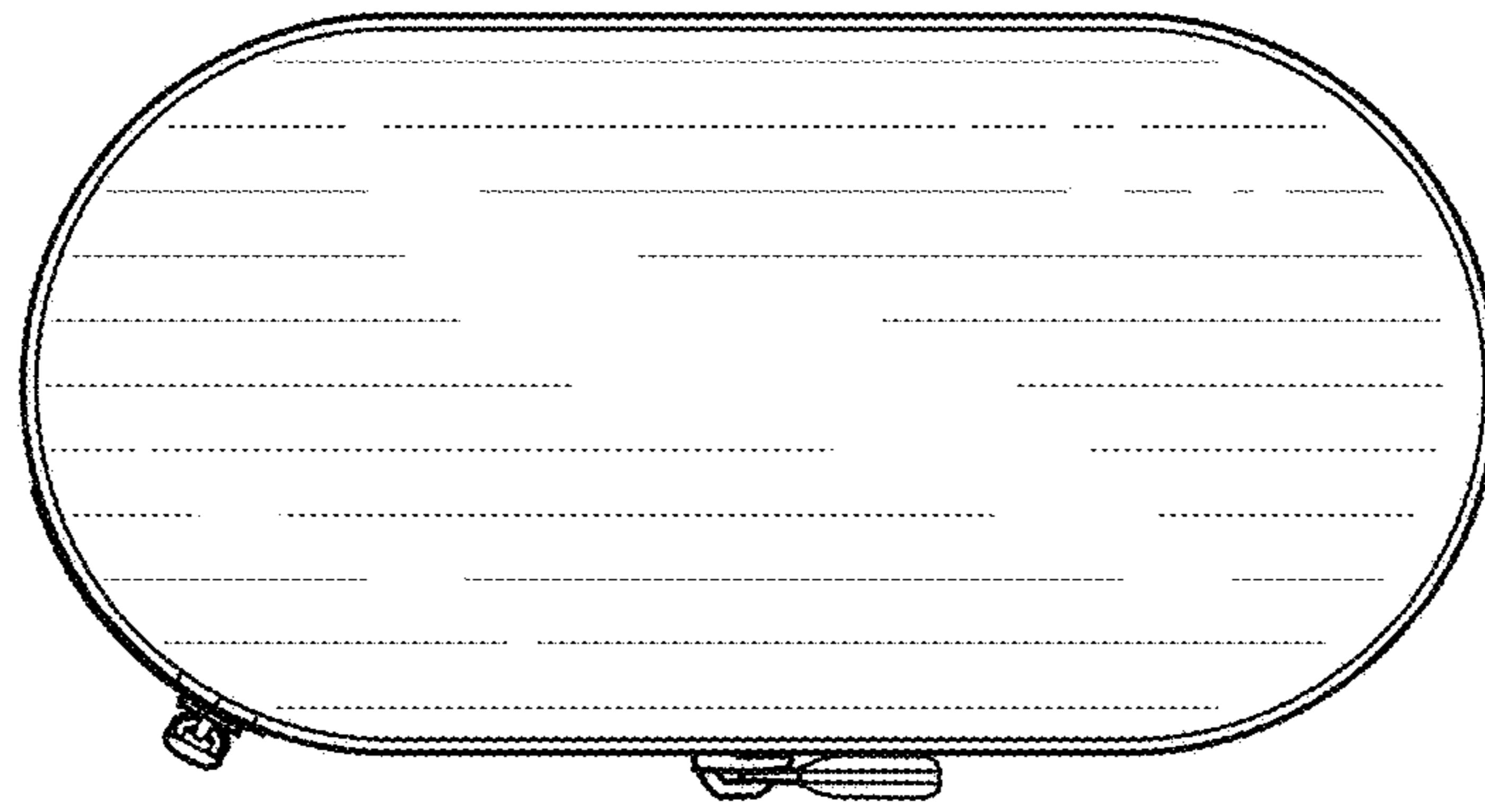


FIG. 6

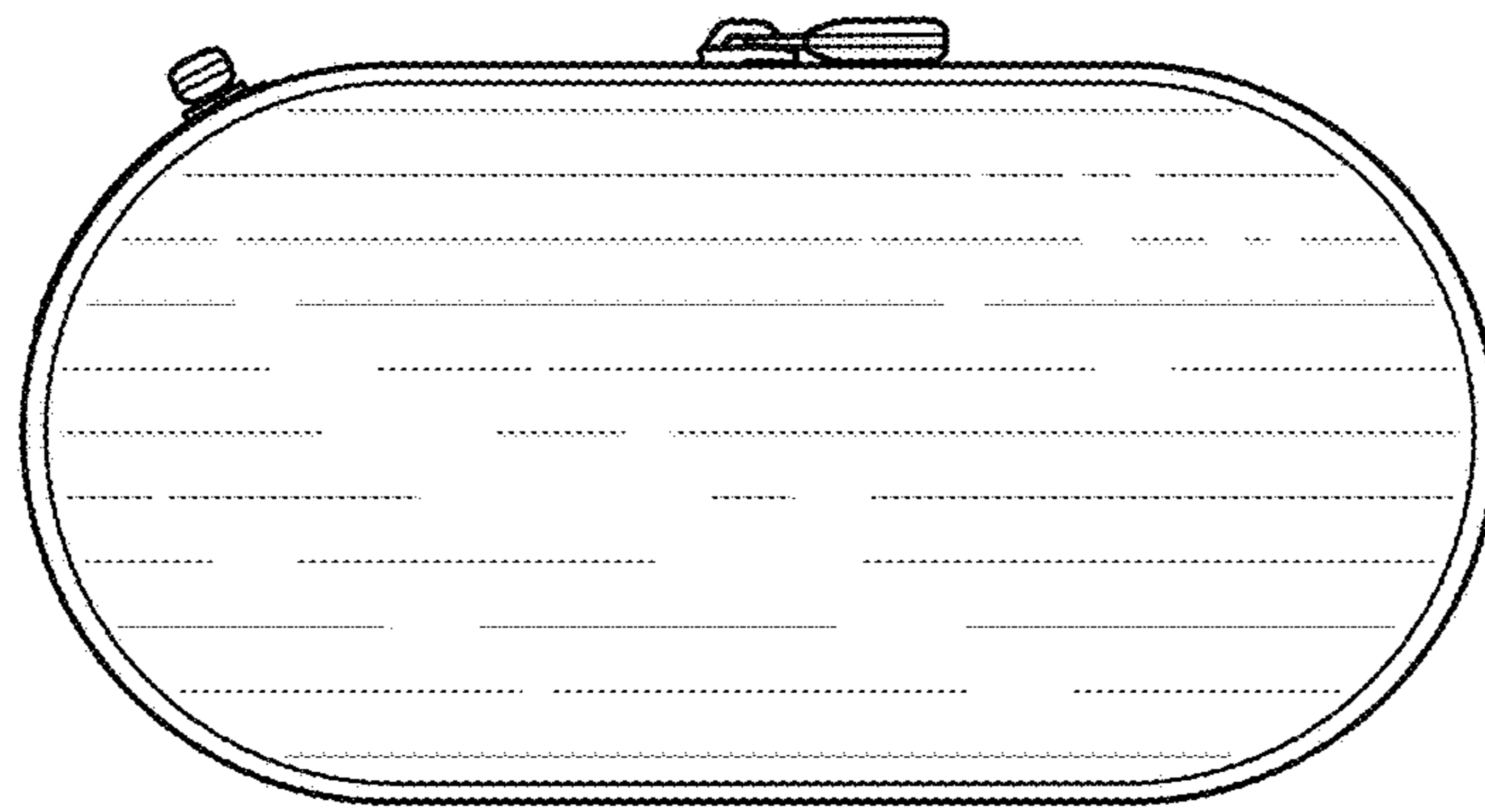


FIG. 7