



US00D846740S

(12) **United States Design Patent**
Schneider et al.

(10) **Patent No.:** **US D846,740 S**

(45) **Date of Patent:** **** Apr. 23, 2019**

(54) **KNIFE FOR SURGICAL PURPOSES**

(71) Applicant: **PFM MEDICAL AG**, Köln (DE)

(72) Inventors: **Erwin Schneider**, Nussloch (DE);
Steffen Kraus, Sandhausen (DE); **Aurel
Schoeller**, Bornheim (DE); **Jürgen
Wolter**, Bornheim (DE)

(**) Term: **15 Years**

(21) Appl. No.: **35/503,152**

(22) Filed: **May 31, 2017**

(80) **Hague Agreement Data**

Int. Filing Date: **May 31, 2017**

Int. Reg. No.: **DM/096344**

Int. Reg. Date: **May 31, 2017**

Int. Reg. Pub. Date: **Jun. 16, 2017**

(51) **LOC (11) Cl.** **24-02**

(52) **U.S. Cl.**

USPC **D24/147**

(58) **Field of Classification Search**

USPC D7/393–395, 401.2, 642–652, 693,
D7/695–696; D8/98, 99, 100, 105, 107;
D22/118; D24/130, 133, 146, 147, 150,
D24/151

CPC A61B 17/3211; B26B 1/00; B26B 1/02;
B26B 1/04; B26B 1/10; B26B 1/042;
B26B 1/044; B26B 1/046; B26B 1/048;
B25G 1/102

See application file for complete search history.

(56) **References Cited**

U.S. PATENT DOCUMENTS

2,072,581 A * 3/1937 Curtis B26B 3/00
279/105
D226,735 S * 4/1973 Navara D24/147
D242,179 S * 11/1976 Sugiyama D24/147

D248,166 S * 6/1978 Kanai D24/147
D248,167 S * 6/1978 Kanai D24/147
D282,402 S * 1/1986 Schmidt D24/147
D283,544 S * 4/1986 Schmidt D24/147
D359,356 S * 6/1995 Werner D24/141
5,528,834 A * 6/1996 Seber B25G 1/102
30/340
D421,303 S * 2/2000 Cote D24/133
D458,510 S * 6/2002 Haataja D7/395
D496,425 S * 9/2004 Carter, III D22/118
D496,730 S * 9/2004 Morawski A61B 17/3211
D24/133
D519,185 S * 4/2006 Carter, III D22/118
D571,010 S * 6/2008 Cote A61B 17/3211
D24/147
D633,345 S * 3/2011 Ranieri D7/649
D643,258 S * 8/2011 Spiegel D7/649
D654,326 S * 2/2012 Conran D7/649
D672,841 S * 12/2012 Pelton D22/118
D672,842 S * 12/2012 Pelton D22/118
D726,317 S * 4/2015 DeLaRosa D24/147

(Continued)

Primary Examiner — Darlington Ly

(74) *Attorney, Agent, or Firm* — Moore & Van Allen
PLLC; Henry B. Ward, III

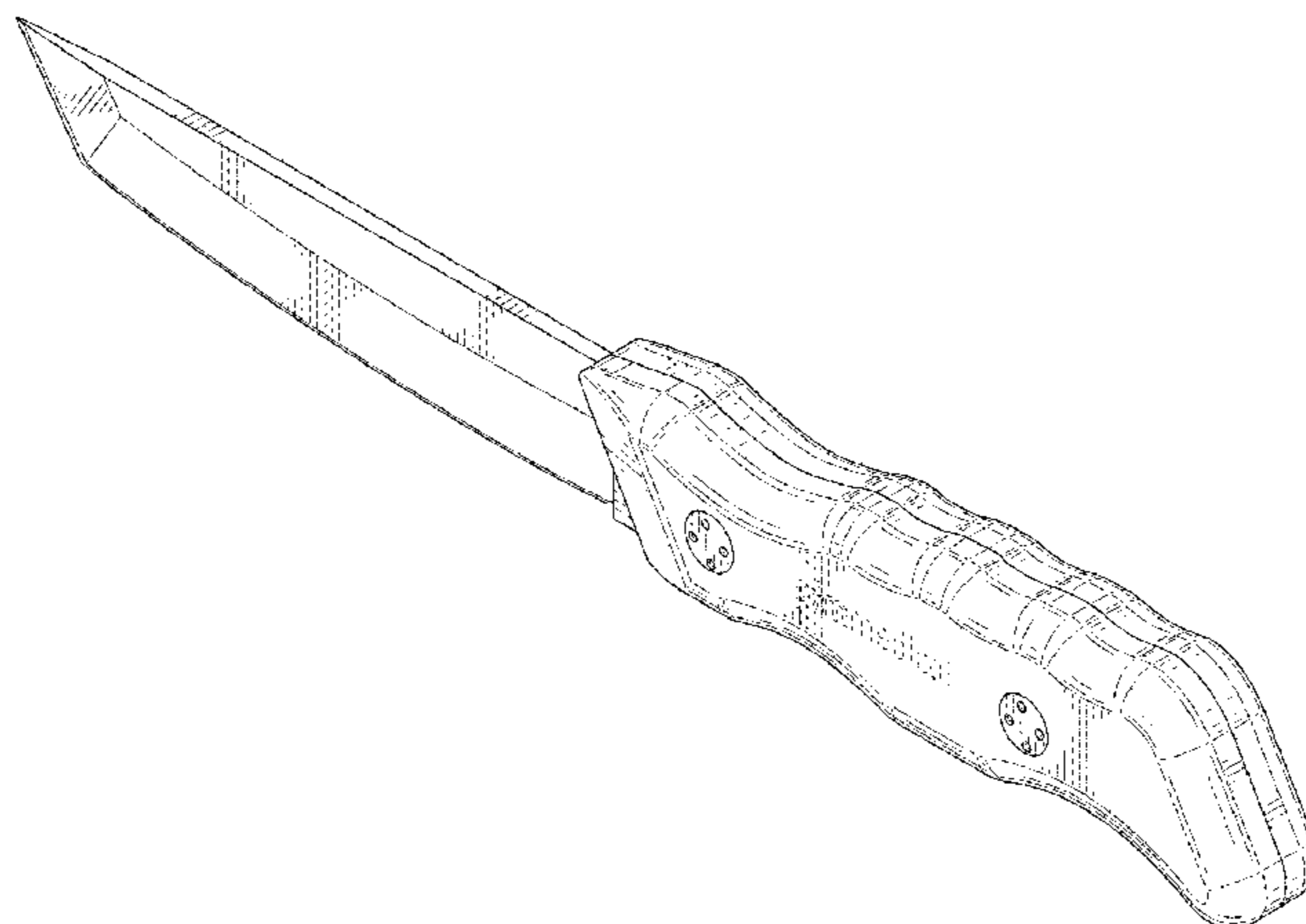
(57) **CLAIM**

The ornamental design for a knife for surgical purposes, as shown and described.

DESCRIPTION

FIG. 1 is a right side elevation view of a knife for surgical purposes showing our new design;
FIG. 2 is a left side elevation view thereof;
FIG. 3 is a top plan view thereof;
FIG. 4 is a bottom plan view thereof;
FIG. 5 is a rear elevation view thereof;
FIG. 6 is a front elevation view thereof; and
FIG. 7 is a top, rear, and right side perspective view thereof.
The broken line showing of the text “pfmmedical” in the drawings illustrate portions of the knife that forms no part of the claimed design.

1 Claim, 7 Drawing Sheets



(56)

References Cited

U.S. PATENT DOCUMENTS

D728,339 S * 5/2015 Bloch D8/99
D740,421 S * 10/2015 Seegert D24/146
D765,216 S * 8/2016 Tom D22/118
D768,455 S * 10/2016 Xin D8/99
D770,850 S * 11/2016 Keating D7/401.2
D802,762 S * 11/2017 Ogane D24/146
D806,498 S * 1/2018 Bloch D8/99
D810,227 S * 2/2018 Constantine D22/118
D813,342 S * 3/2018 Vagnino, Jr. D22/118
2006/0217750 A1 * 9/2006 Ghannoum A61B 17/3211
606/167
2014/0031847 A1 * 1/2014 Mori A61F 9/0133
606/167

* cited by examiner

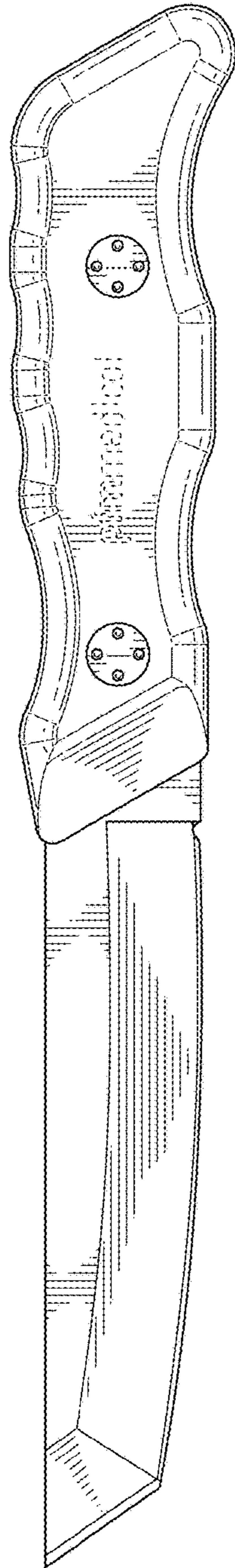


FIG. 1

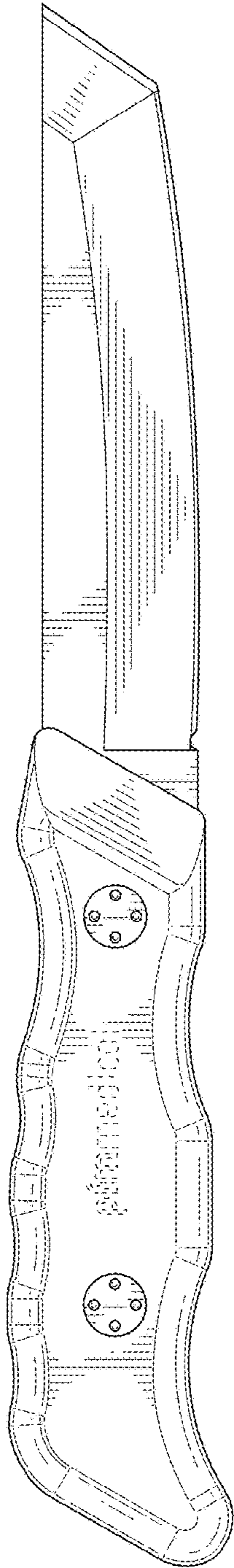


FIG. 2

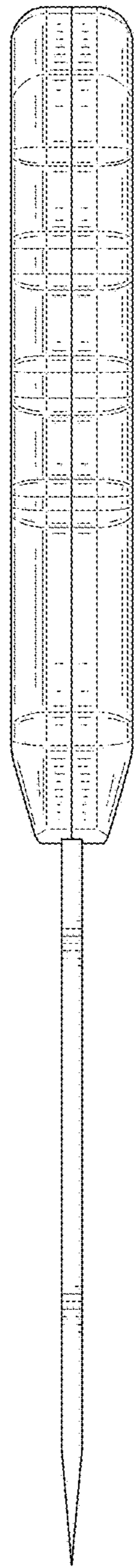


FIG. 3

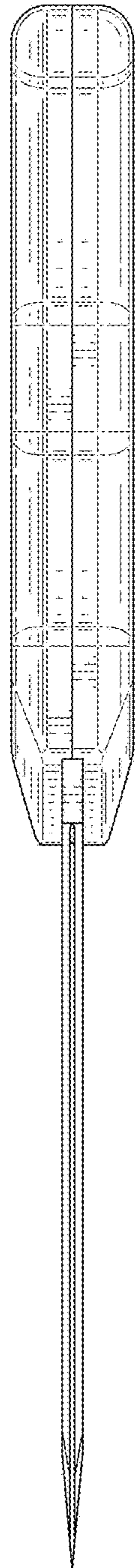


FIG. 4

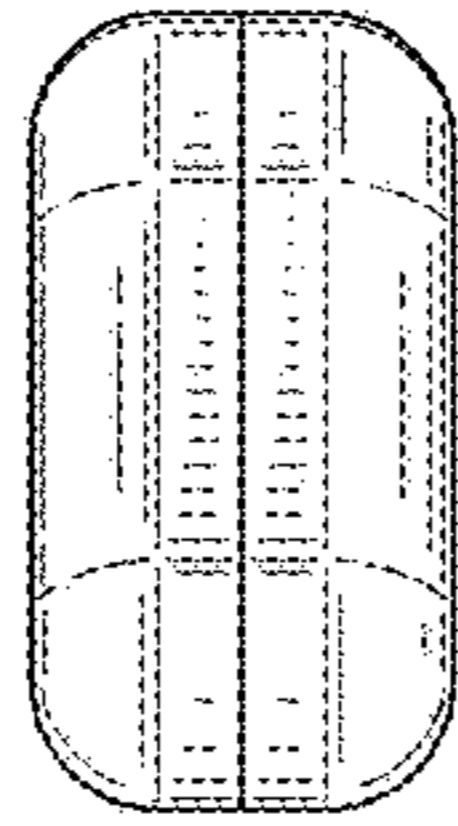


FIG. 5

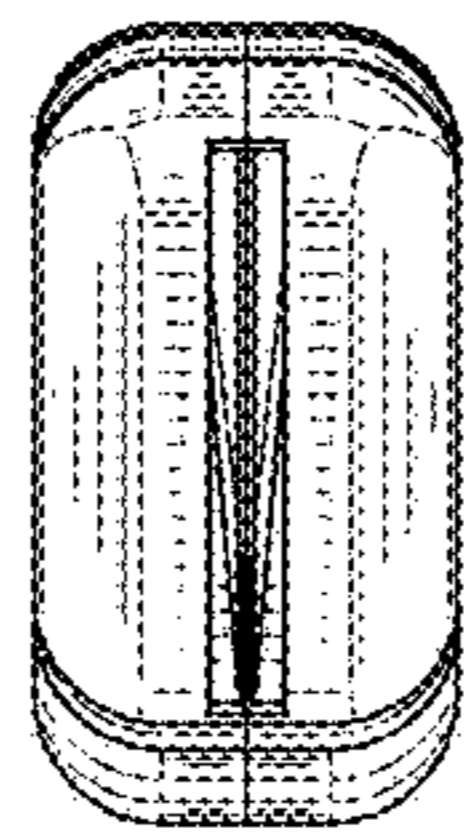


FIG. 6

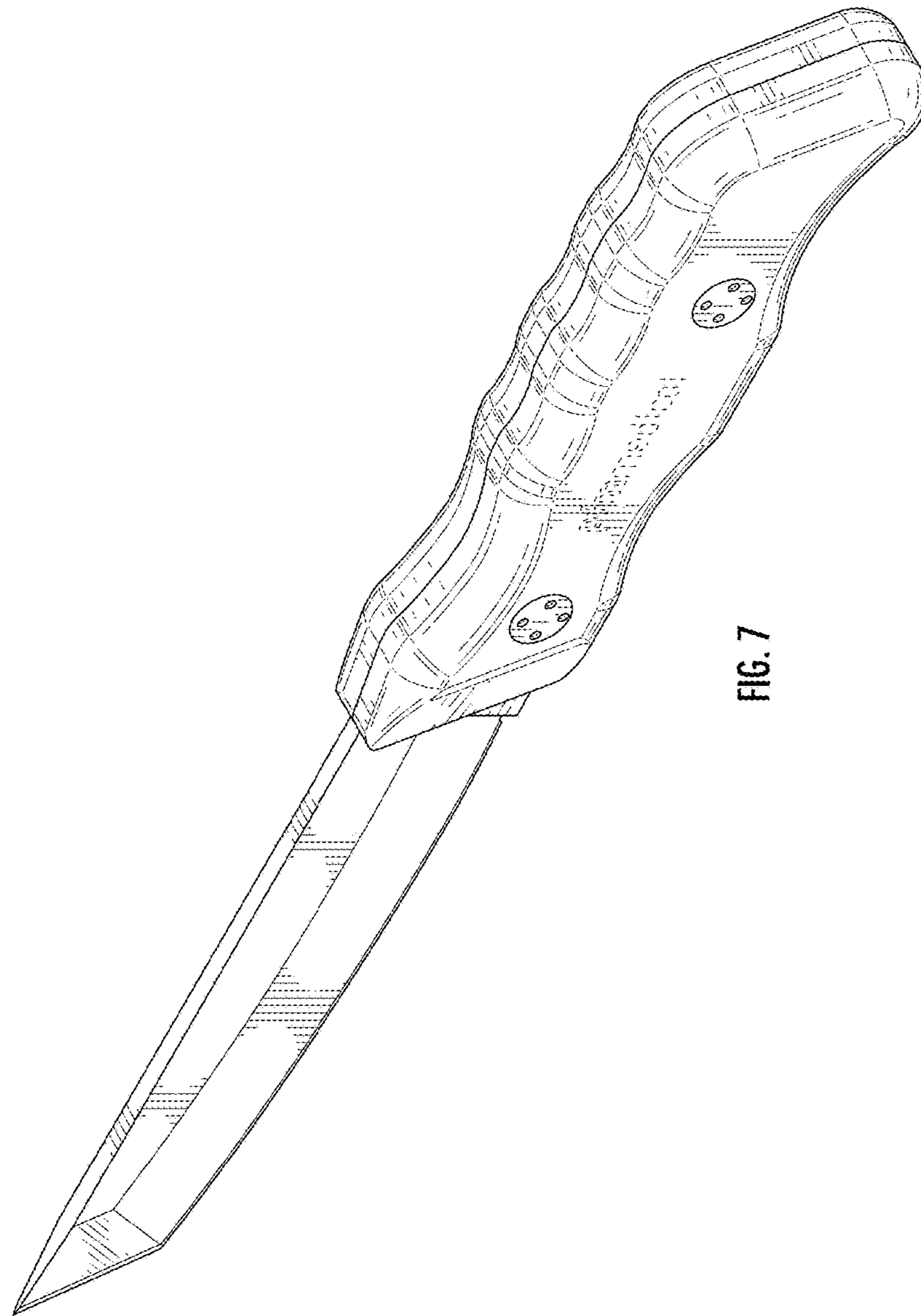


FIG. 7