



US00D846737S

(12) **United States Design Patent**
Karasawa

(10) **Patent No.:** **US D846,737 S**

(45) **Date of Patent:** **** Apr. 23, 2019**

- (54) **SAFETY DEVICE FOR SYRINGE**
- (71) Applicant: **FORTE GROW MEDICAL CO., LTD.**, Tochigi (JP)
- (72) Inventor: **Koji Karasawa**, Sano (JP)
- (73) Assignee: **Forte Grow Medical Co., Ltd.**, Sano-shi (JP)
- (**) Term: **15 Years**

D572,818	S *	7/2008	Bruce	D24/130
D713,958	S *	9/2014	Srinivasan	D24/130
D793,553	S *	8/2017	Stillson	D24/130
2002/0004649	A1	1/2002	Jansen et al.		
2005/0010136	A1	1/2005	Restelli et al.		
2007/0078382	A1	4/2007	Hommann et al.		
2012/0041368	A1*	2/2012	Karlsson	A61M 5/326 604/111
2013/0296798	A1	11/2013	Roberts et al.		
2014/0039406	A1	2/2014	Verespej et al.		
2014/0107577	A1	4/2014	Boyd et al.		
2014/0243760	A1	8/2014	Slemmen et al.		

(Continued)

(21) Appl. No.: **35/502,682**

(22) Filed: **Nov. 4, 2016**

(80) **Hague Agreement Data**

Int. Filing Date: **Nov. 4, 2016**
 Int. Reg. No.: **DM/095191**
 Int. Reg. Date: **Nov. 4, 2016**
 Int. Reg. Pub. Date: **Mar. 24, 2017**

(30) **Foreign Application Priority Data**

May 16, 2016 (JP) 2016-010375

(51) **LOC (11) Cl.** **24-02**

(52) **U.S. Cl.**
USPC **D24/130**

(58) **Field of Classification Search**
 USPC D24/112-114, 133, 130, 127, 146
 CPC A61M 25/0618; A61M 5/3271; A61M
 25/0612; A61M 25/0637
 See application file for complete search history.

(56) **References Cited**

U.S. PATENT DOCUMENTS

4,923,446	A	5/1990	Page et al.
4,998,924	A	3/1991	Ranford
5,201,708	A	4/1993	Martin
5,318,538	A	6/1994	Martin

FOREIGN PATENT DOCUMENTS

JP	2005-519647	A	7/2005
JP	2007-521845	A	8/2007

(Continued)

Primary Examiner — Eliza Z Bennett-Hattan
 (74) *Attorney, Agent, or Firm* — Crowell & Moring LLP

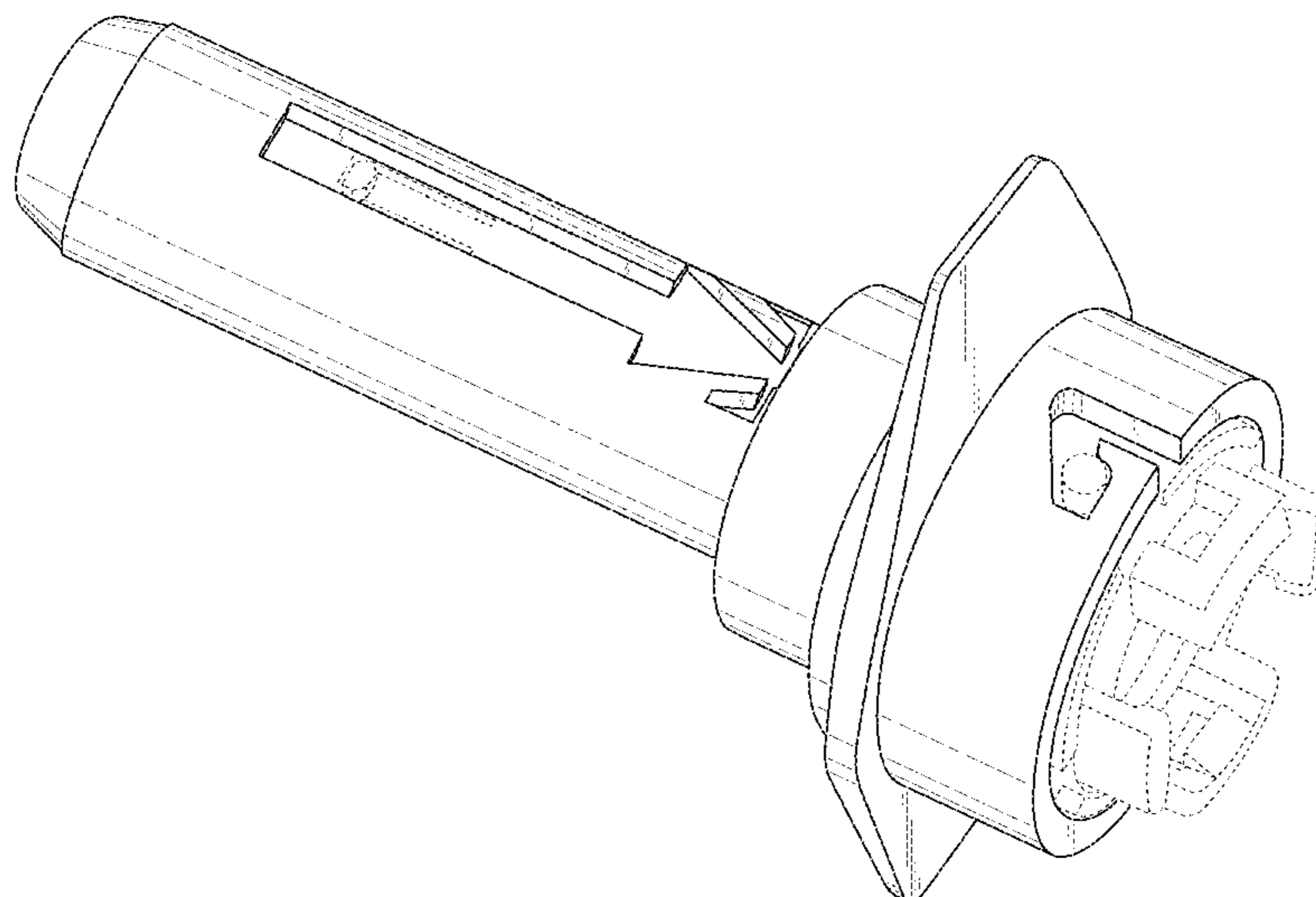
(57) **CLAIM**

The ornamental design for a safety device for syringe, as shown and described.

DESCRIPTION

1. Safety device for syringe
 1.1 is a perspective view showing my new safety device for syringe;
 1.2 is a front view thereof;
 1.3 is a back view thereof;
 1.4 is a top view thereof;
 1.5 is a bottom view thereof;
 1.6 is a right side view thereof; and,
 1.7 is a left side view thereof.
 Features shown in broken lines are unclaimed and form no part of the claimed design. Additional unclaimed features have been omitted where they are interior and unnecessary to proper understanding of the claimed partial design.
 The unshaded surfaces form no part of the claimed design.

1 Claim, 7 Drawing Sheets



(56)

References Cited

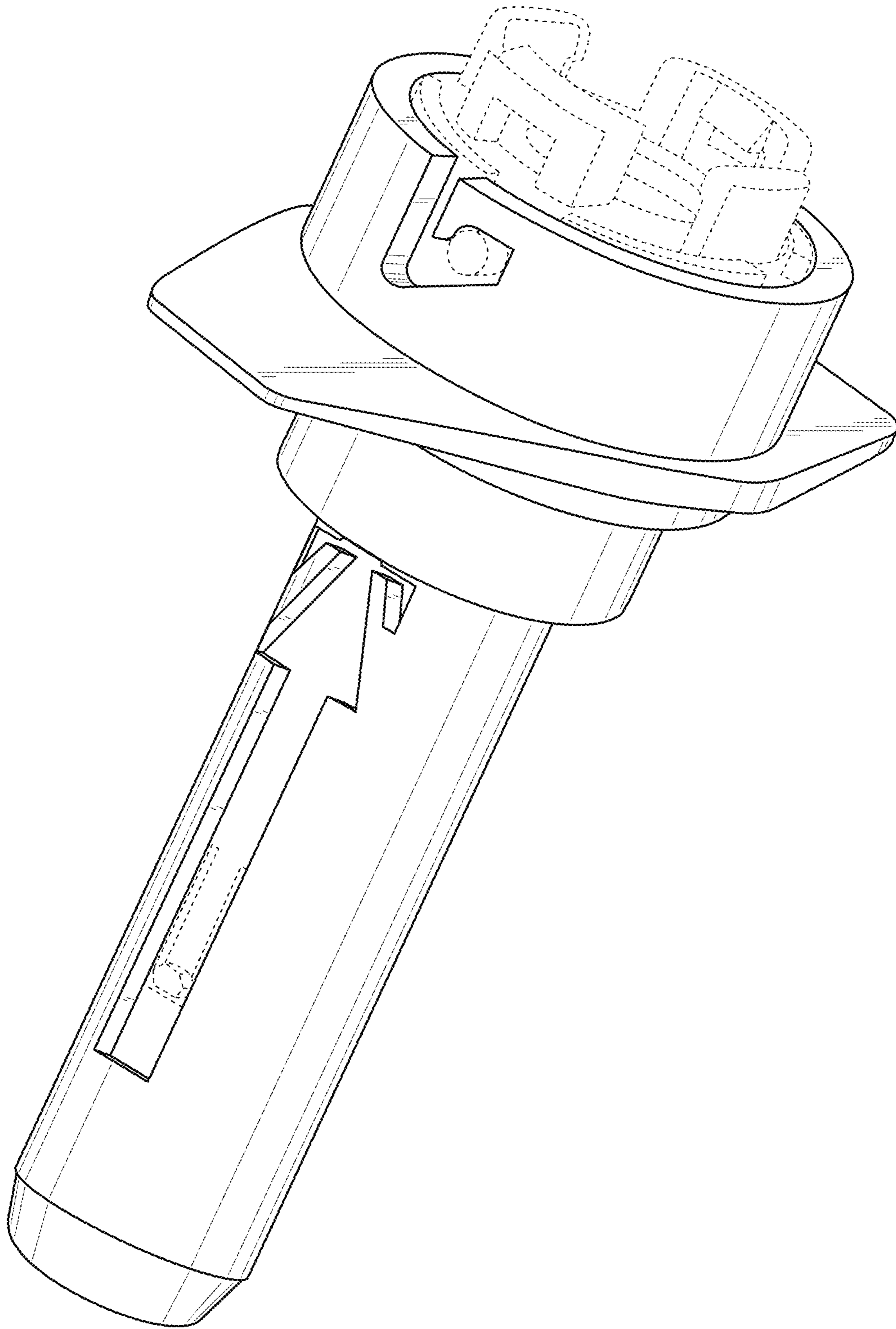
U.S. PATENT DOCUMENTS

2014/0249481 A1 9/2014 Slemmen et al.
2015/0157808 A1* 6/2015 Srinivasan A61M 5/3202
604/198
2016/0354552 A1* 12/2016 Keim A61M 5/3204
2017/0143912 A1* 5/2017 Hu A61M 5/3257

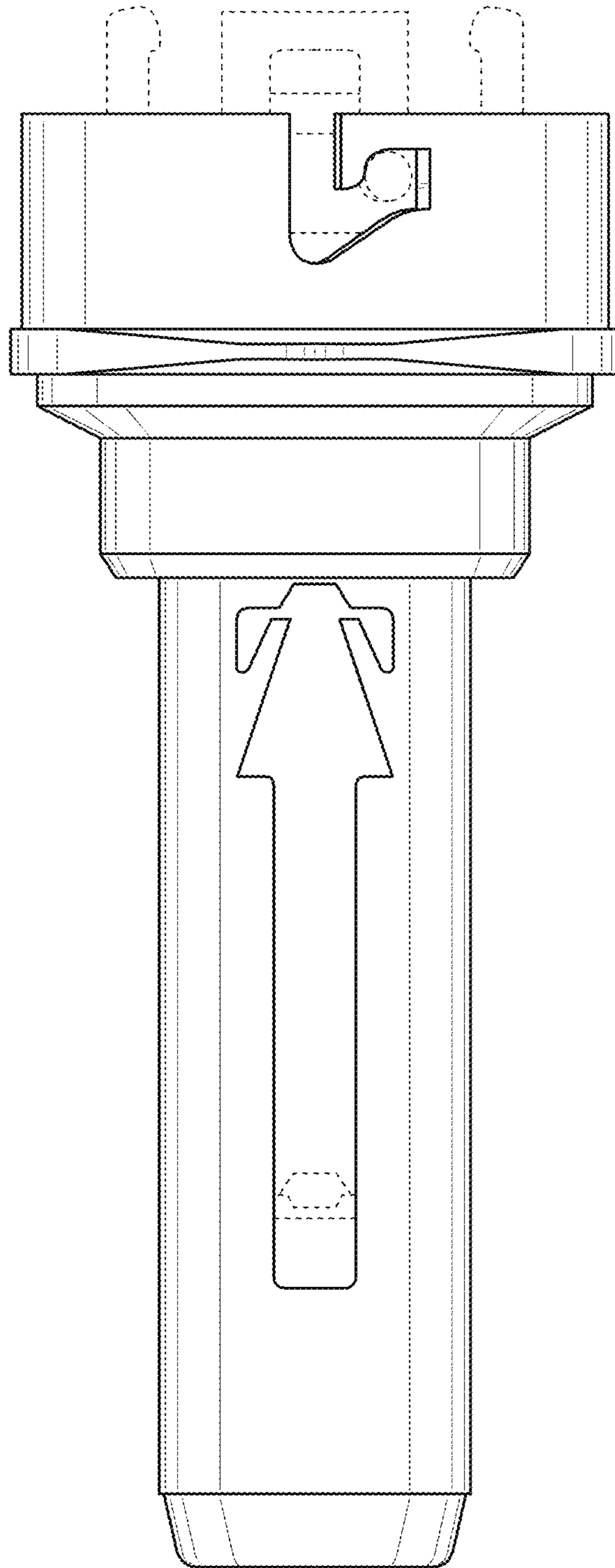
FOREIGN PATENT DOCUMENTS

JP 2014-503301 A 2/2014
JP 2014-528303 A 10/2014
JP 2014-528304 A 10/2014
JP 2015-514518 A 5/2015
WO WO 03/000322 A1 1/2003

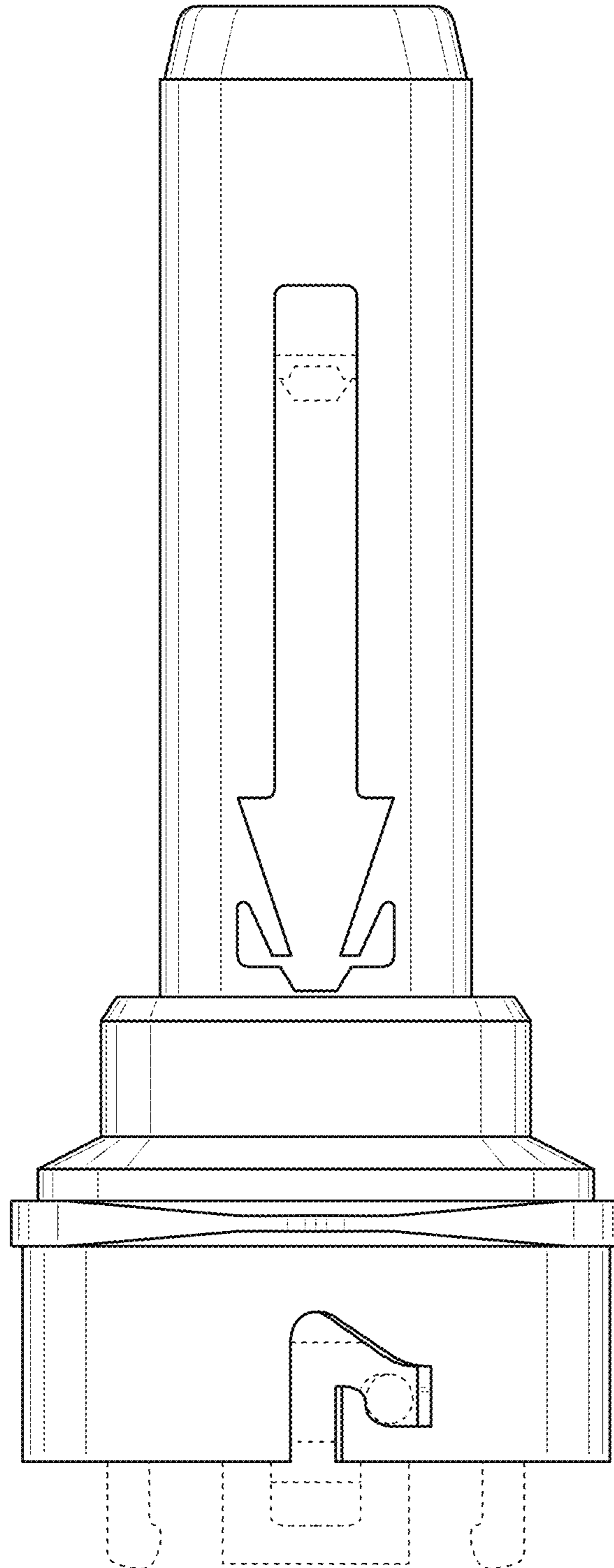
* cited by examiner



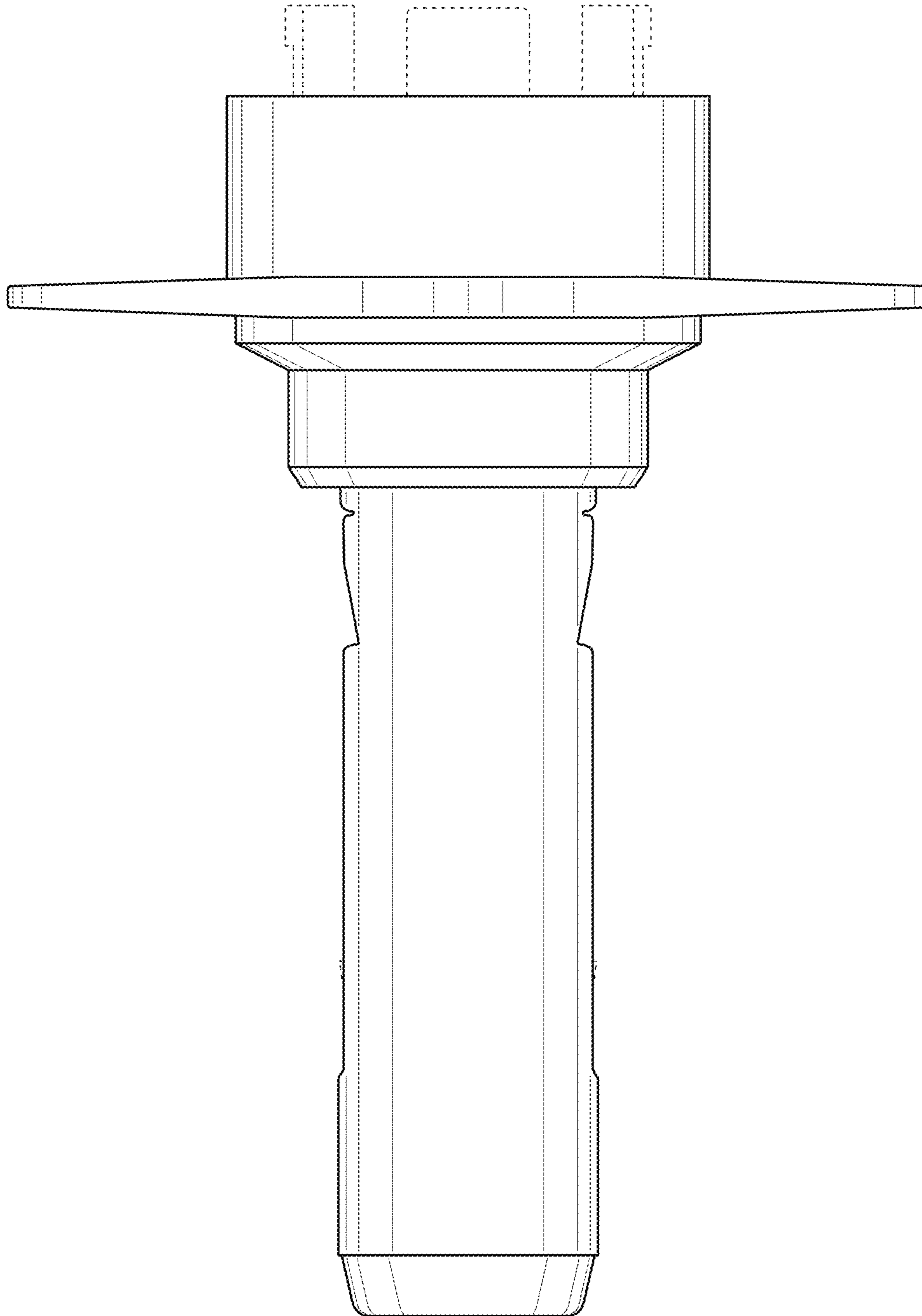
1.1



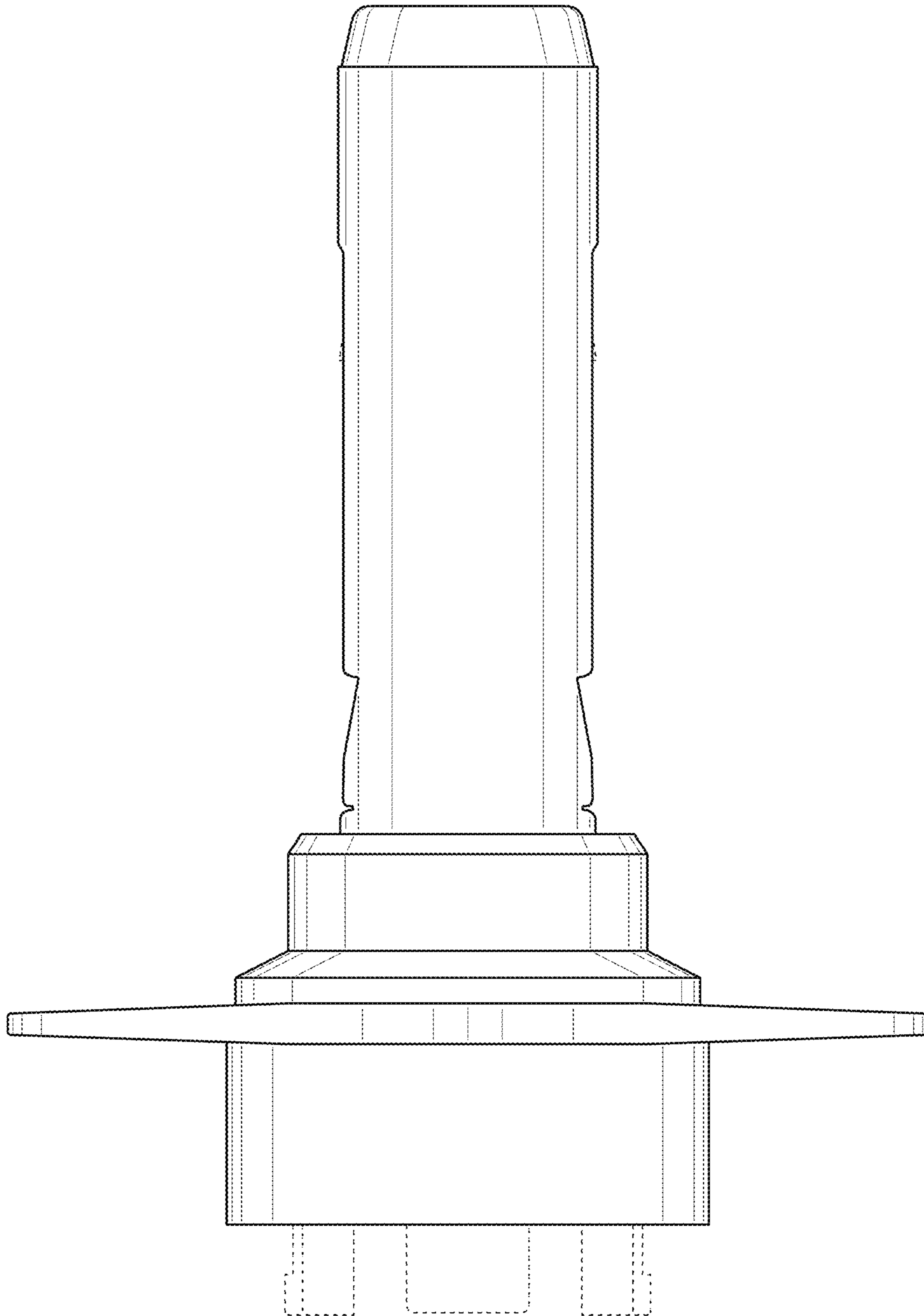
1.2



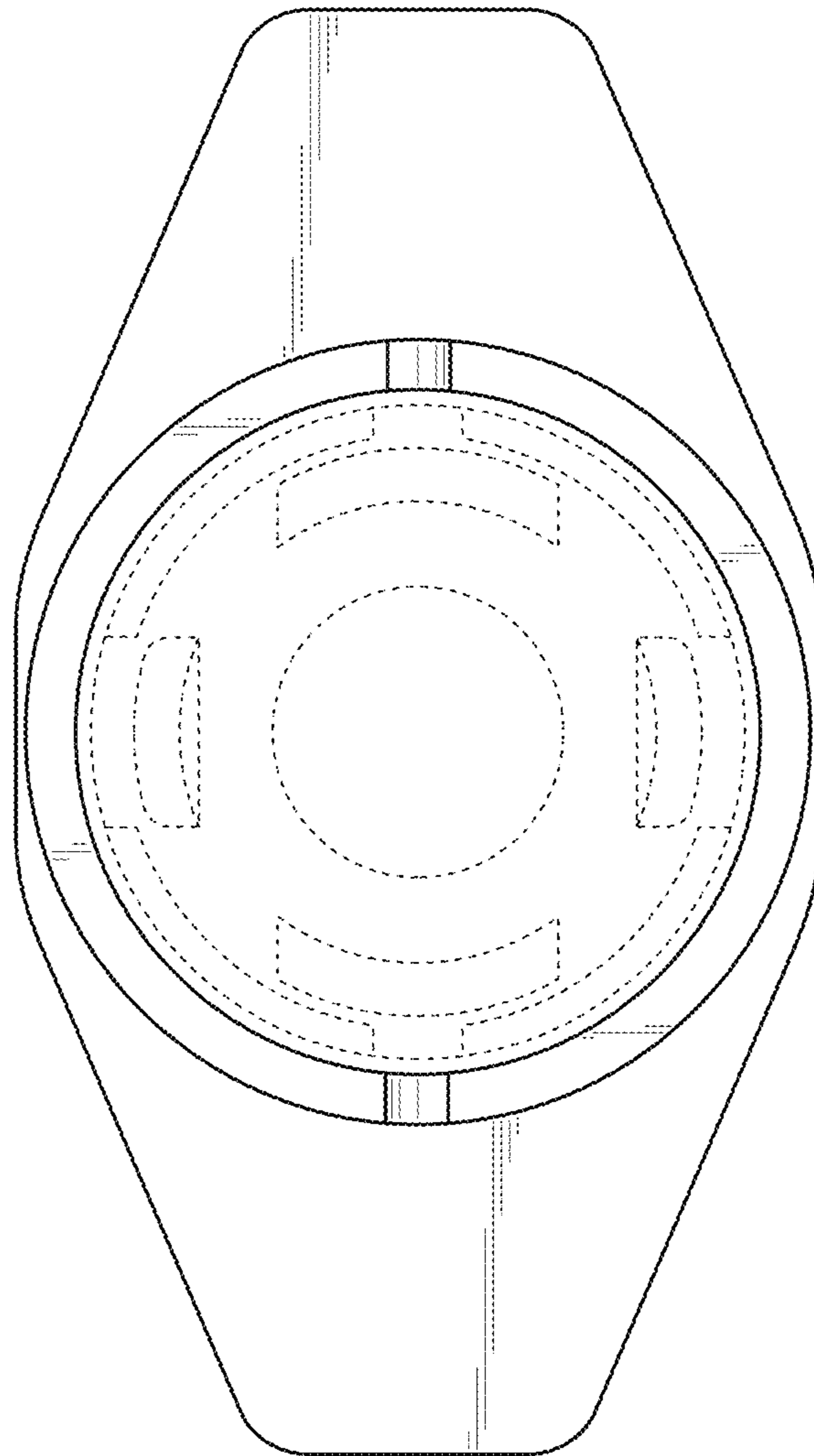
1.3



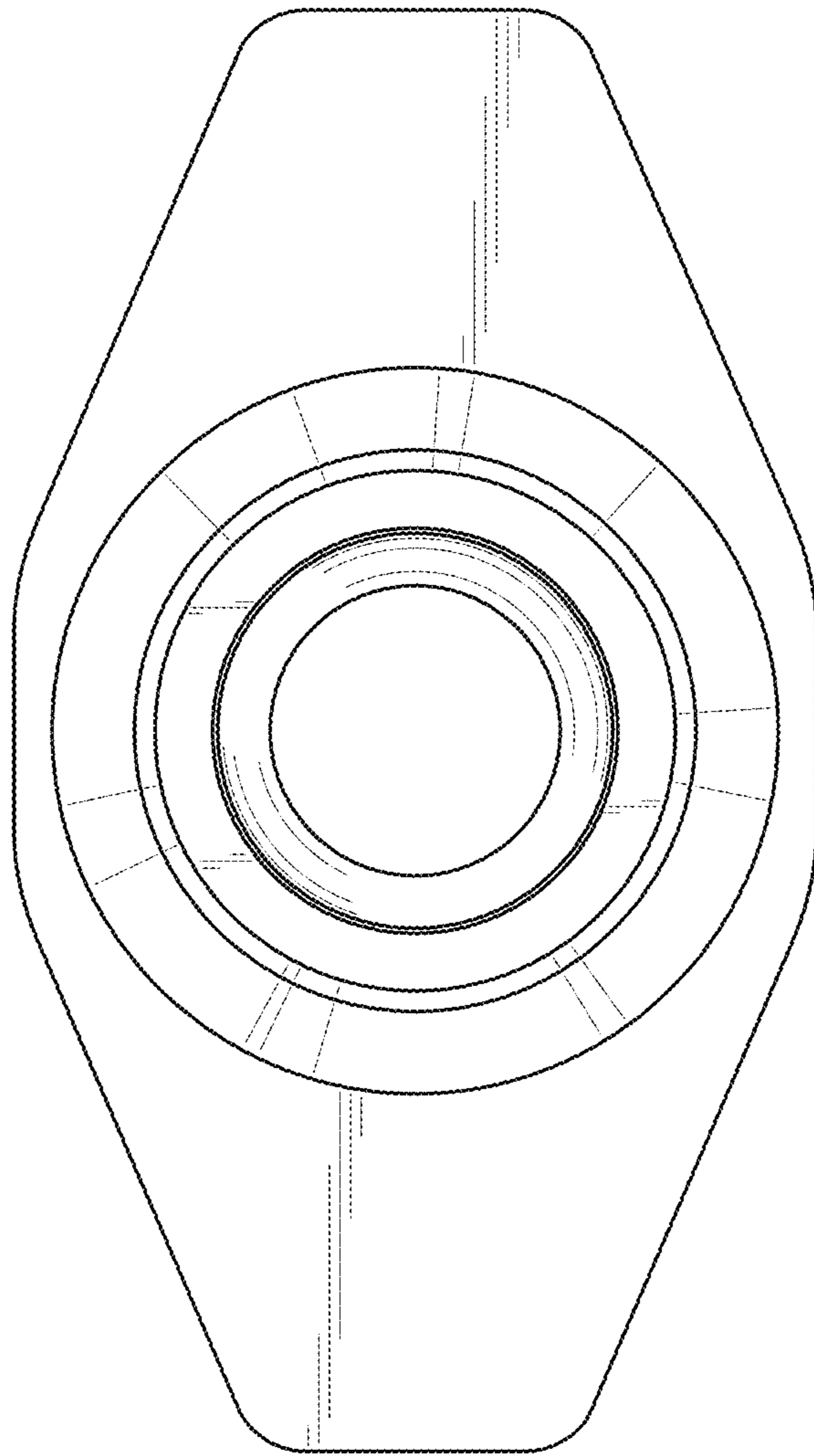
1.4



1.5



1.6



1.7