



US00D846733S

(12) **United States Design Patent** (10) **Patent No.:** **US D846,733 S**  
**Axon** (45) **Date of Patent:** **\*\* Apr. 23, 2019**

(54) **SPECIMEN TRAP** 7,458,942 B2 \* 12/2008 Bohannon ..... A61B 10/007  
600/573  
(71) Applicant: **ARC MEDICAL DESIGN LIMITED,** 7,488,312 B2 \* 2/2009 Rogers ..... A61B 10/0045  
Yorkshire (GB) 600/573  
7,497,340 B2 \* 3/2009 Hershberger ..... A61M 1/0056  
210/435

(72) Inventor: **Patrick Axon,** Yorkshire (GB) (Continued)

(73) Assignee: **Arc Medical Design Limited,** Leeds, FOREIGN PATENT DOCUMENTS  
Yorkshire (GB)

(\*\*) Term: **15 Years**  
EP 1234589 A1 8/2002  
WO 2013180952 A1 12/2013  
WO 2017060726 A1 4/2017

(21) Appl. No.: **29/619,879**

OTHER PUBLICATIONS

(22) Filed: **Oct. 3, 2017**

International Search Report and Written Opinion issued in corresponding International Patent Application No. PCT/GB2016/053131 dated Jan. 5, 2017 (11 pages).

(30) **Foreign Application Priority Data**

(Continued)

Apr. 4, 2017 (GB) ..... 6010379

(51) **LOC (11) Cl.** ..... **24-02**

*Primary Examiner* — David G Muller

(52) **U.S. Cl.** ..... **D24/121**

(74) *Attorney, Agent, or Firm* — Kilyk & Bowersox, P.L.L.C.

USPC ..... **D24/121**

(58) **Field of Classification Search**

(57) **CLAIM**

USPC ..... D24/121, 123, 224; 604/317–325;  
600/575

The ornamental design for a specimen trap, as shown and described.

CPC ..... B65D 41/04; B65D 2251/023; B65D  
41/0485; B65D 41/3428; A61B 10/0045;  
A61M 1/0056

**DESCRIPTION**

See application file for complete search history.

FIG. 1 is a front view of a specimen trap showing my new design;

(56) **References Cited**

FIG. 2 is a rear view thereof;

U.S. PATENT DOCUMENTS

FIG. 3 is a right side view thereof with the left side view being a mirror image of this view;

5,049,273 A \* 9/1991 Knox ..... A61M 1/0056  
210/406

FIG. 4 is a top view thereof;

D370,263 S \* 5/1996 Falkenberg ..... D24/108

FIG. 5 is a bottom view thereof;

5,960,837 A \* 10/1999 Cude ..... A61M 1/0001  
137/205

FIG. 6 is a perspective view thereof as viewed from below;  
and,

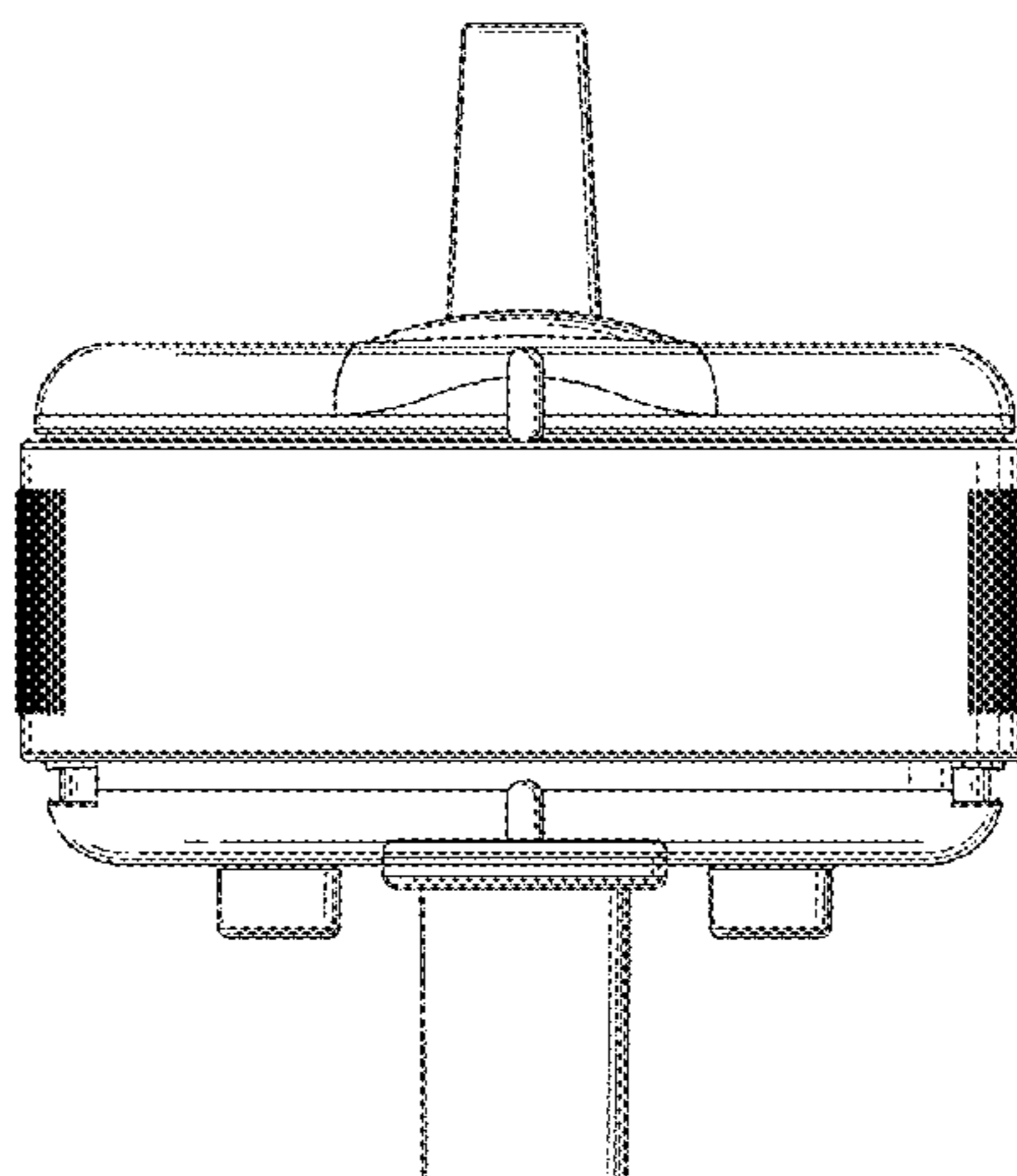
6,627,152 B1 \* 9/2003 Wong ..... A61B 10/0045  
422/408

FIG. 7 is an exploded perspective view thereof.

D522,145 S \* 5/2006 Best ..... D10/81

The broken lines are for purposes of illustration only and form no part of the claimed design.

**1 Claim, 7 Drawing Sheets**



(56)

**References Cited**

U.S. PATENT DOCUMENTS

7,517,495 B2 \* 4/2009 Wu ..... A61B 10/0045  
422/550  
8,974,399 B2 \* 3/2015 Teixeira ..... A61B 10/0051  
600/562  
D735,880 S \* 8/2015 Bargh ..... D24/224  
9,332,969 B2 \* 5/2016 Han ..... A61B 10/0096  
D820,996 S \* 6/2018 Knaus ..... C12M 23/08  
D24/224  
2004/0230135 A1 11/2004 Merkle  
2007/0191731 A1 8/2007 Kaye et al.

OTHER PUBLICATIONS

Search Report issued in corresponding UK Patent Application No.  
GB1517921.1 dated Mar. 10, 2016 (3 pages).  
Design U.S. Appl. No. 29/619,878, filed Oct. 3, 2017 (8 pages).

\* cited by examiner

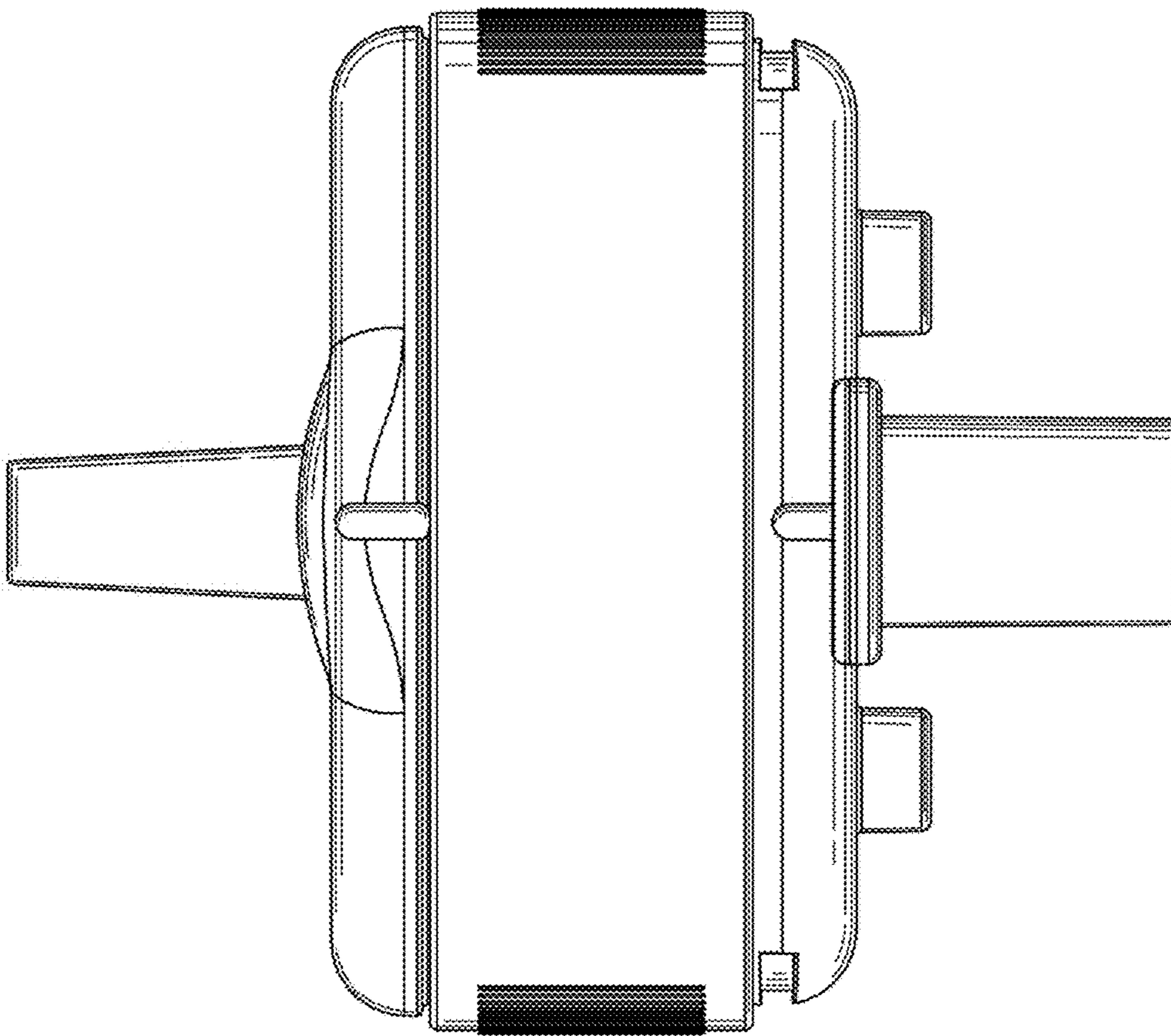


Fig. 1

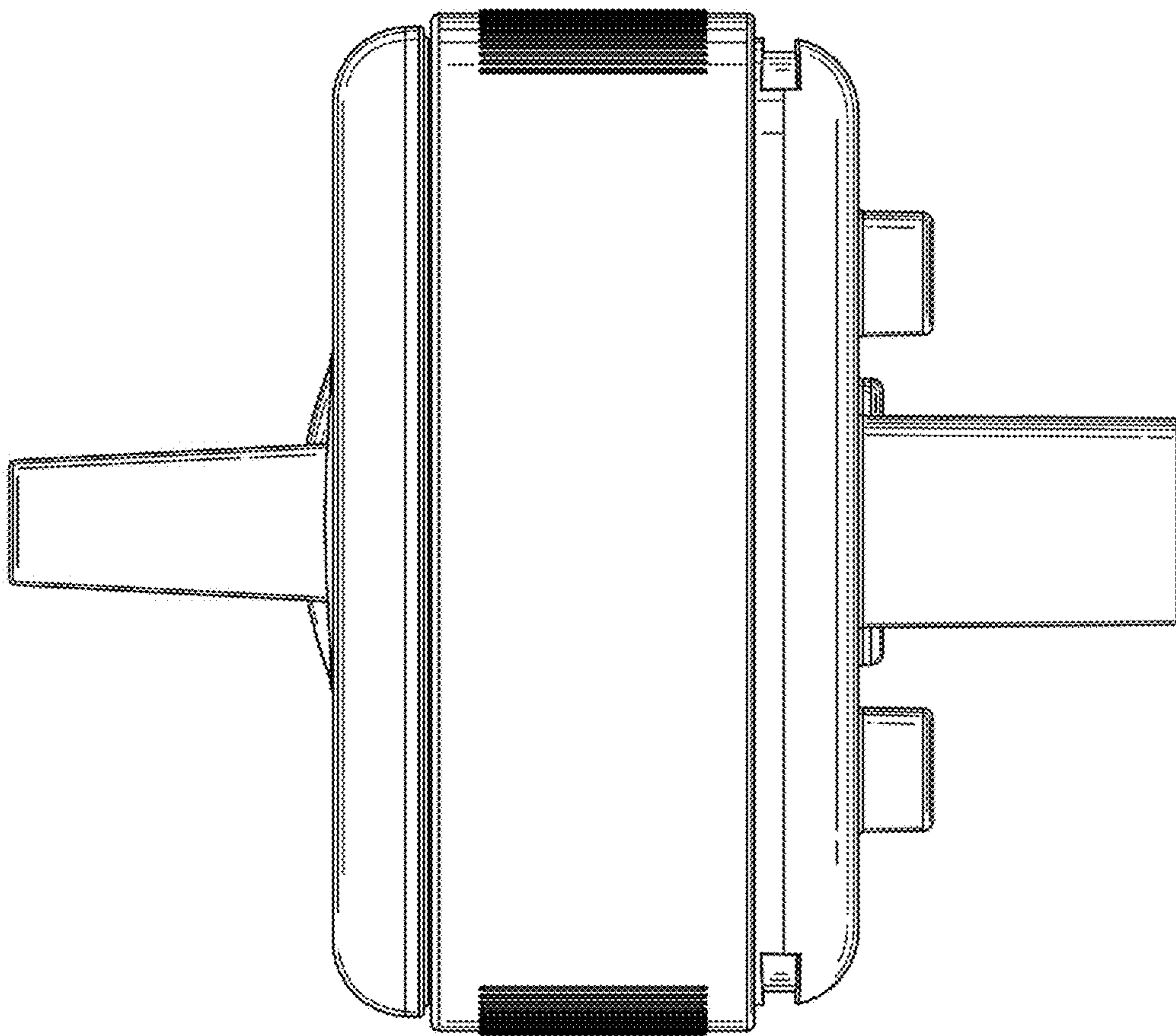


Fig. 2



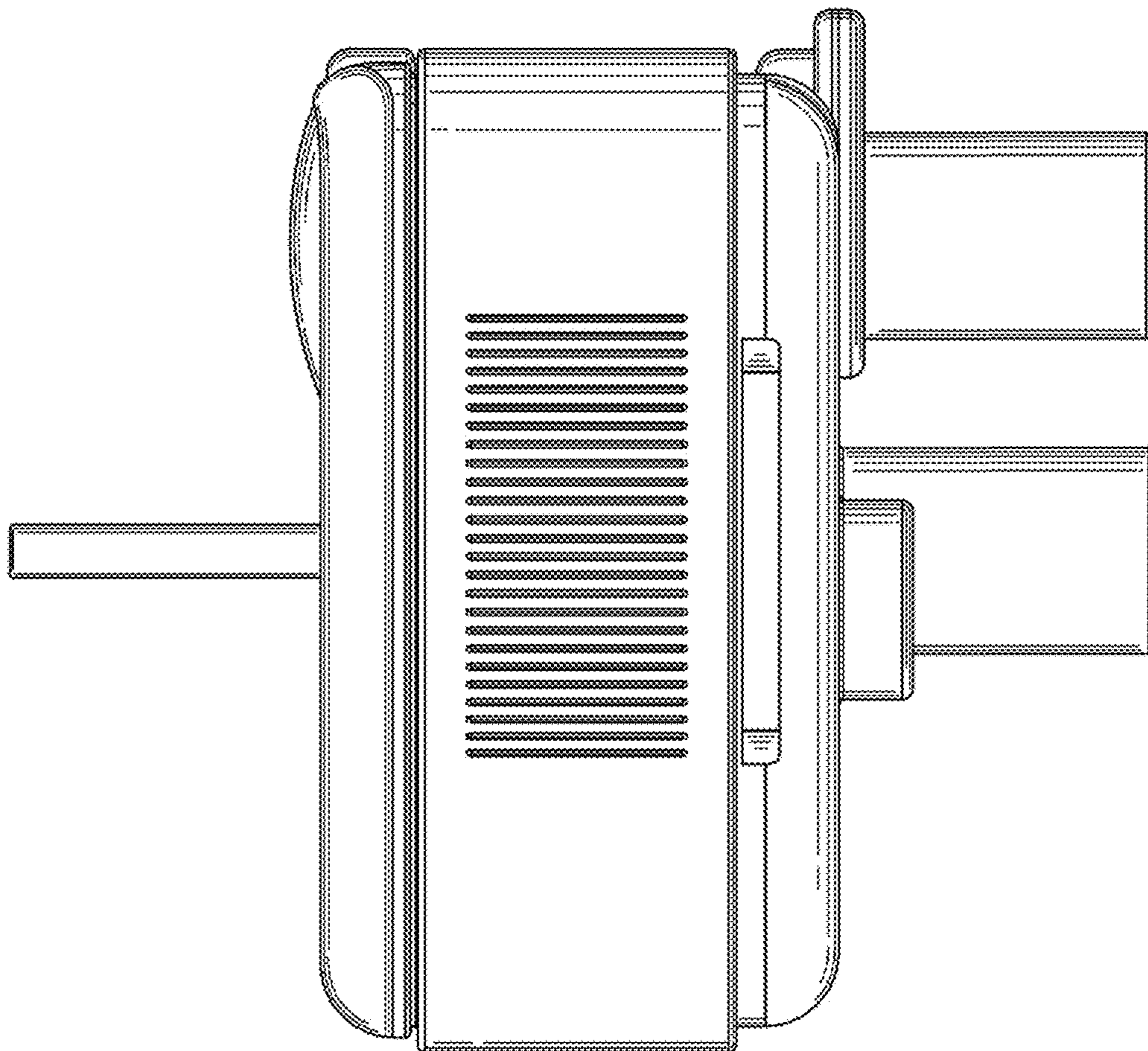


Fig. 3

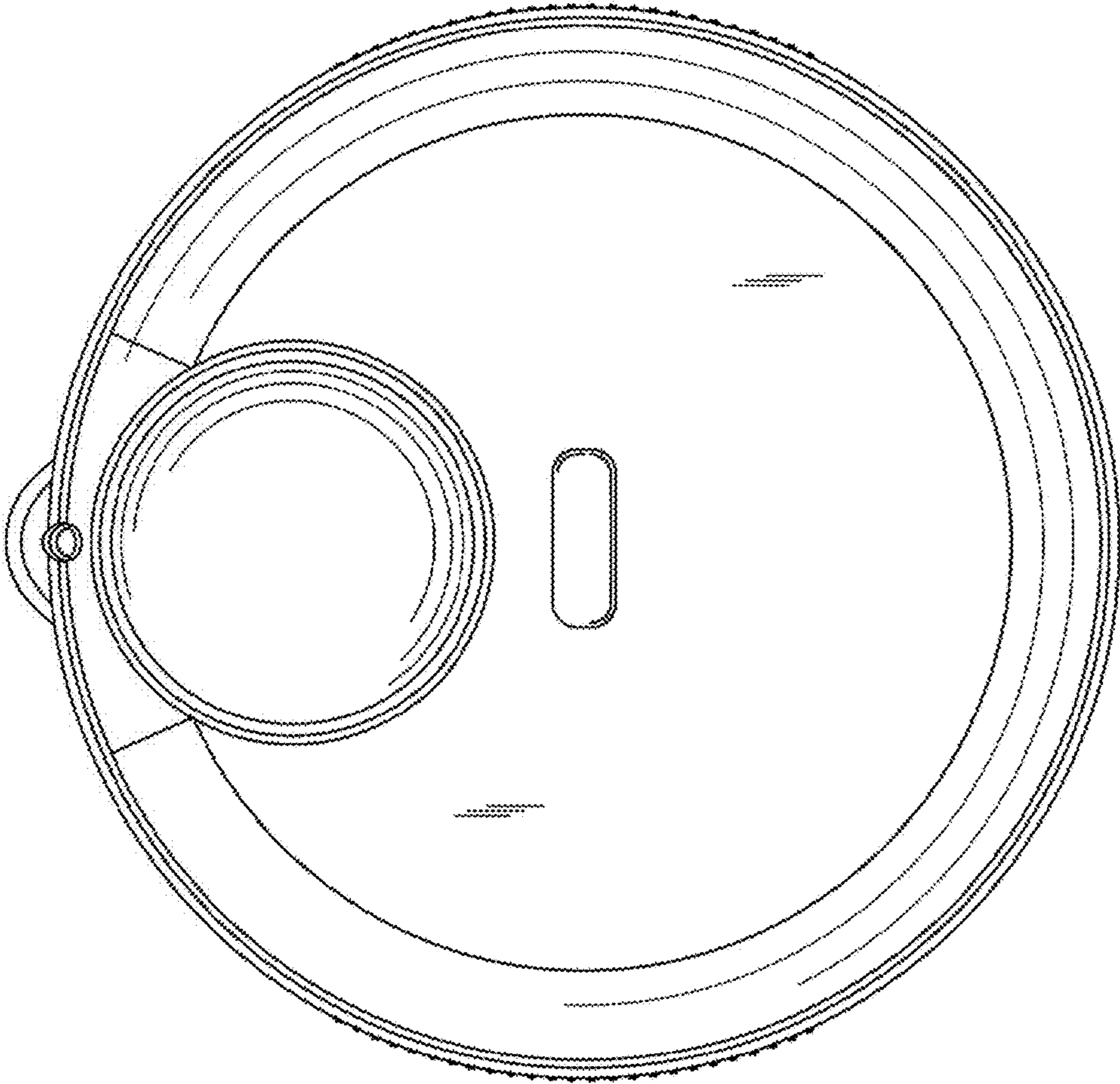


Fig. 4

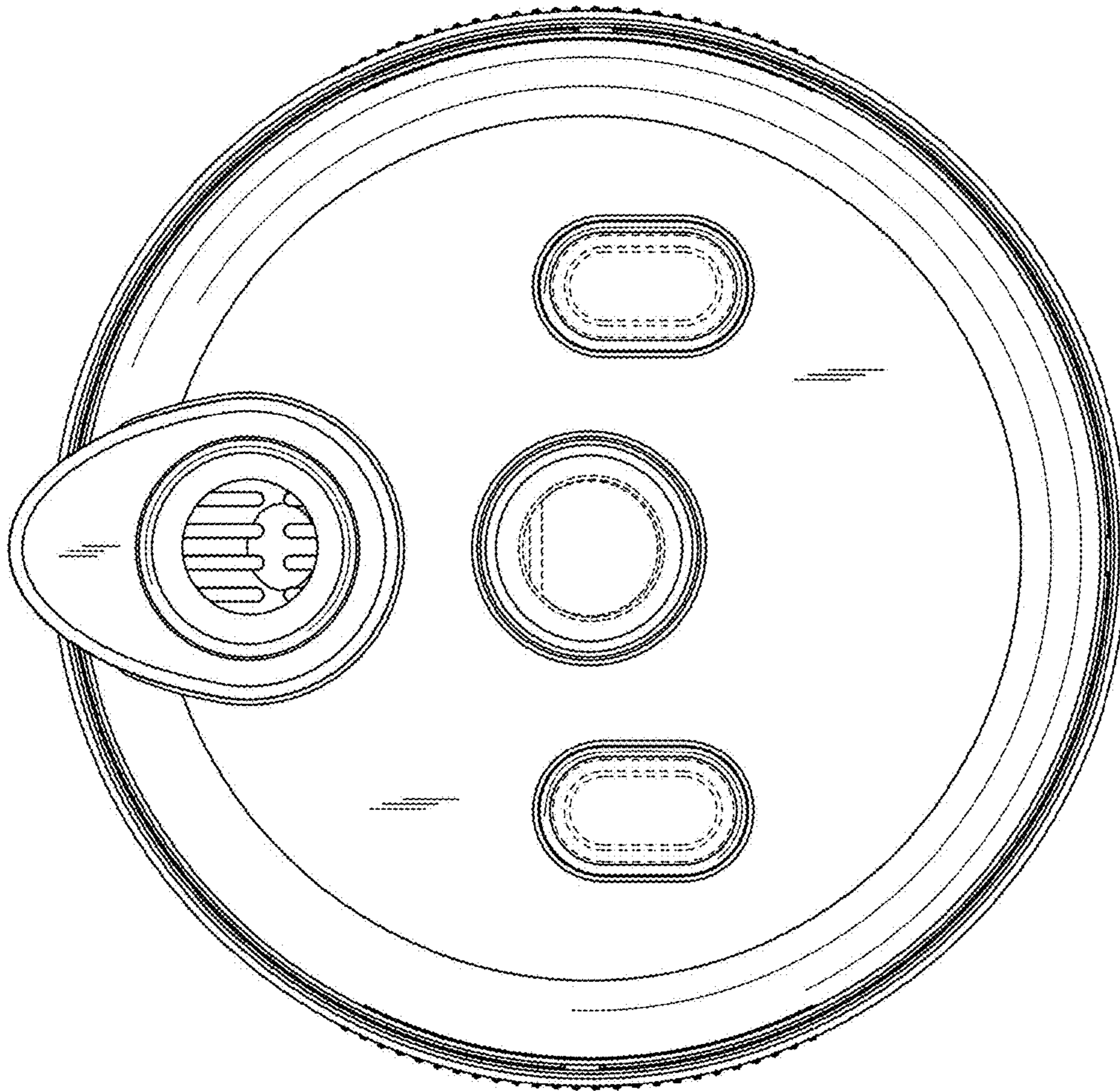


FIG. 5



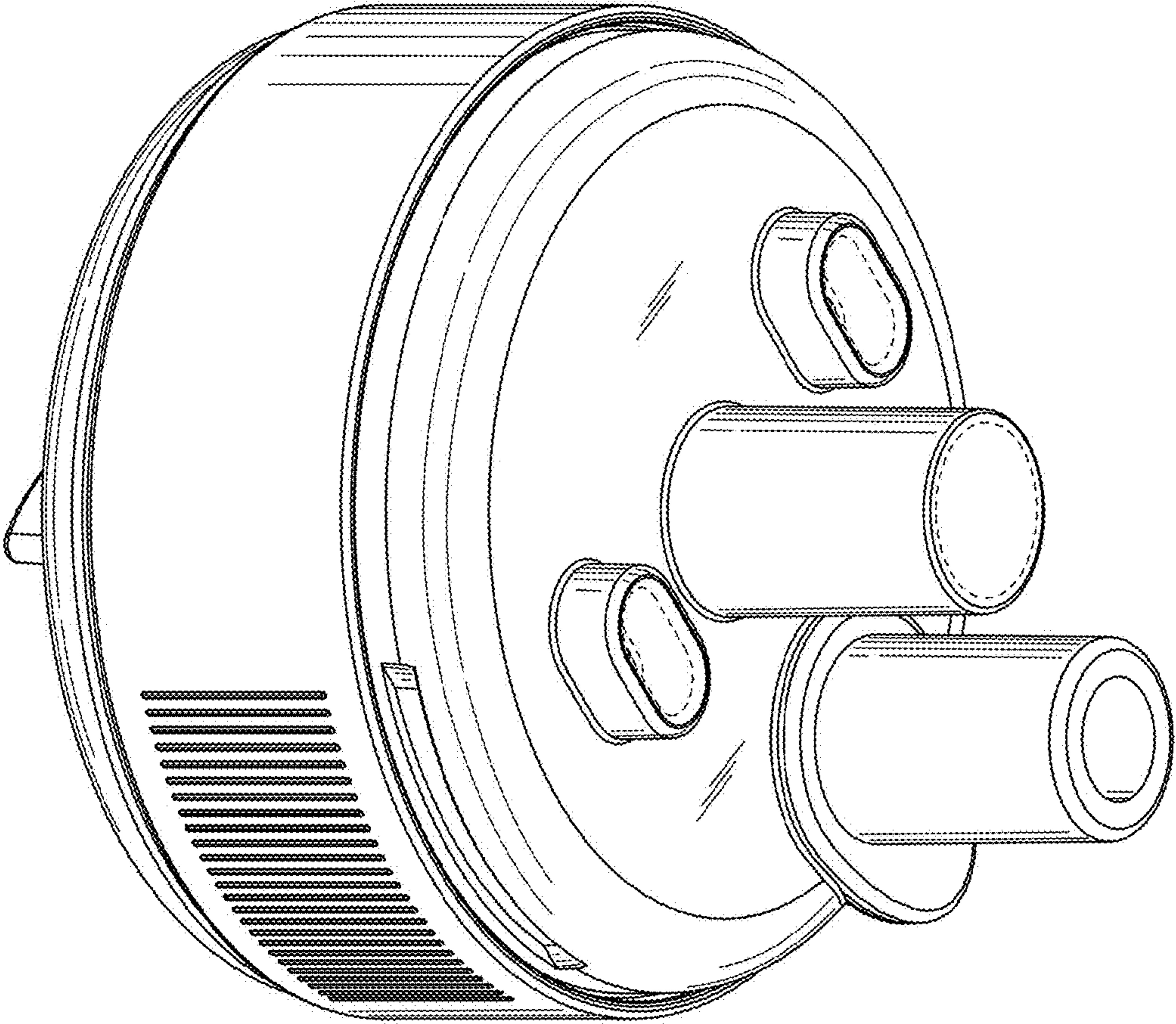


FIG. 6



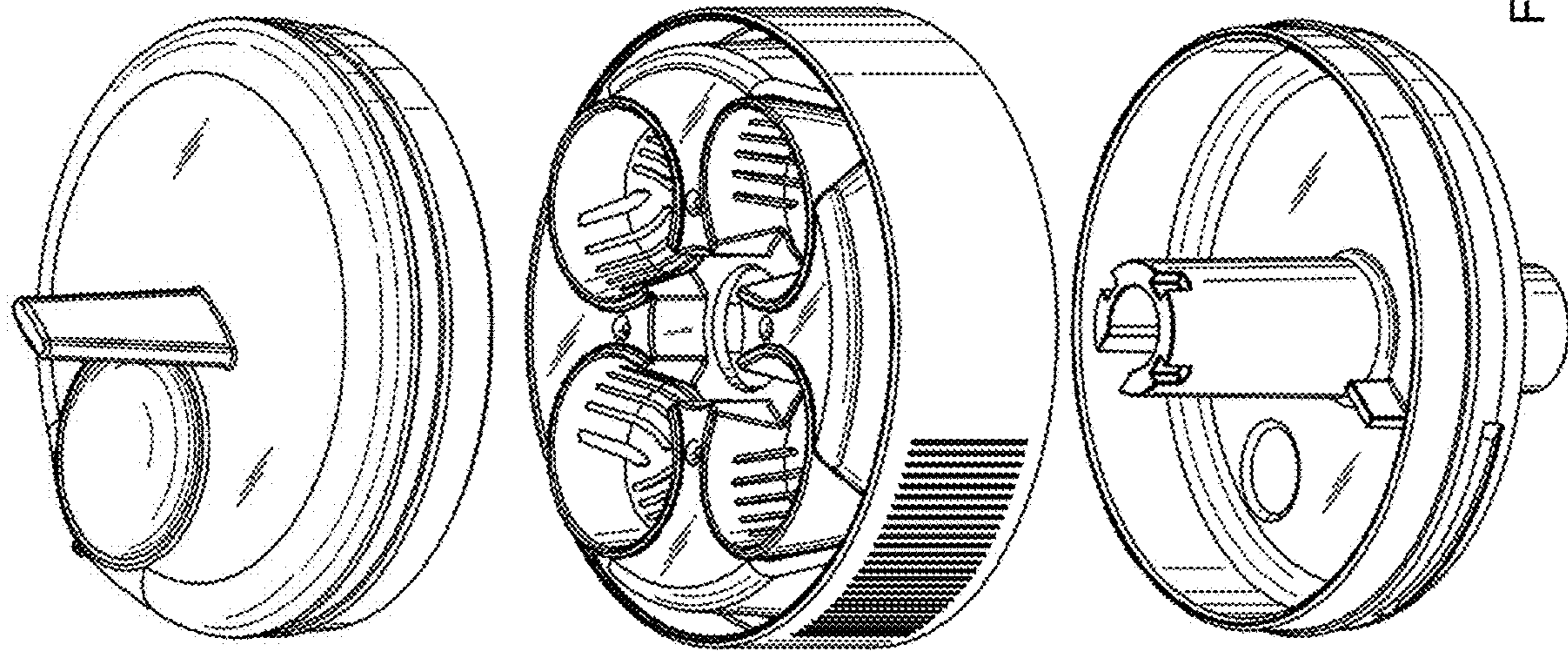


Fig. 7