



US00D846732S

(12) **United States Design Patent** (10) **Patent No.:** **US D846,732 S**
Axon (45) **Date of Patent:** **** Apr. 23, 2019**

(54) **SPECIMEN TRAP**
(71) Applicant: **ARC MEDICAL DESIGN LIMITED,**
Yorkshire (GB)

7,458,942 B2 * 12/2008 Bohannon A61B 10/007
600/573
7,488,312 B2 * 2/2009 Rogers A61B 10/0045
600/573
7,497,340 B2 * 3/2009 Hershberger A61M 1/0056
210/435

(72) Inventor: **Patrick Axon,** Yorkshire (GB)

(Continued)

(73) Assignee: **Arc Medical Design Limited,** Leeds,
Yorkshire (GB)

FOREIGN PATENT DOCUMENTS

(**) Term: **15 Years**

EP 1234589 A1 8/2002
WO 2013180952 A1 12/2013
WO 2017060726 A1 4/2017

(21) Appl. No.: **29/619,878**

OTHER PUBLICATIONS

(22) Filed: **Oct. 3, 2017**

International Search Report and Written Opinion issued in corresponding International Patent Application No. PCT/GB2016/053131 dated Jan. 5, 2017 (11 pages).

(30) **Foreign Application Priority Data**

(Continued)

Apr. 4, 2017 (GB) 6010378

(51) **LOC (11) Cl.** **24-02**

Primary Examiner — David G Muller

(52) **U.S. Cl.**
USPC **D24/121**

(74) *Attorney, Agent, or Firm* — Kilyk & Bowersox,
P.L.L.C.

(58) **Field of Classification Search**
USPC D24/121, 123, 224; 604/317-325;
600/575

(57) **CLAIM**

The ornamental design for a specimen trap, as shown and described.

CPC .. A61B 10/0045; A61M 1/0056; B65D 41/04;
B65D 2251/023; B65D 41/0485; B65D
41/3428

DESCRIPTION

See application file for complete search history.

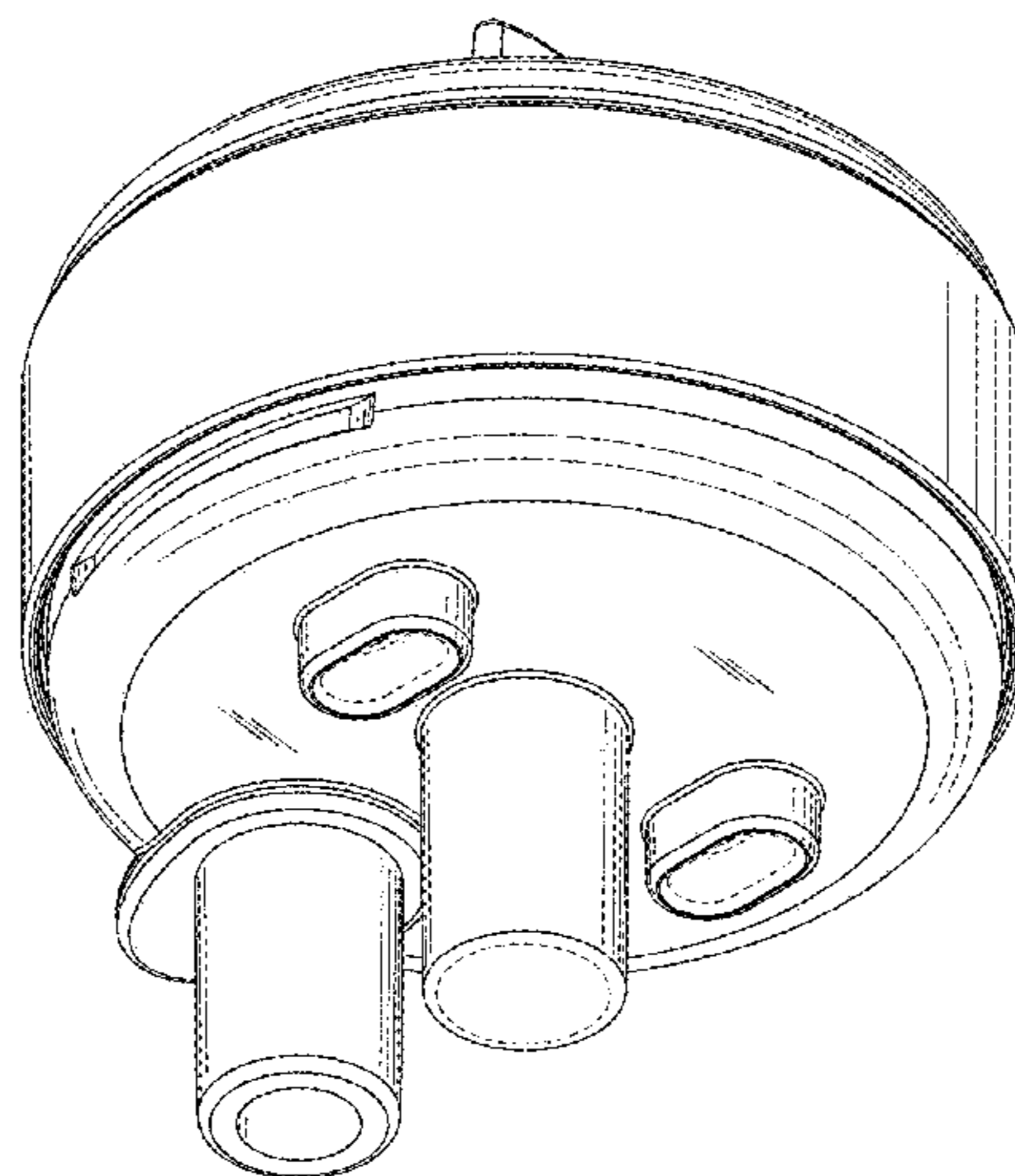
FIG. 1 is a front view of a specimen trap showing my new design;
FIG. 2 is a rear view thereof;
FIG. 3 is a right side view thereof with the left side view being a mirror image of this view;
FIG. 4 is a top view thereof;
FIG. 5 is a bottom view thereof;
FIG. 6 is a perspective view thereof as viewed from below;
and,
FIG. 7 is an exploded perspective view thereof.
The features shown in broken lines depict environmental structure only and form no part of the claimed design.

(56) **References Cited**

U.S. PATENT DOCUMENTS

5,049,273 A * 9/1991 Knox A61M 1/0056
210/406
D370,263 S * 5/1996 Falkenberg D24/108
5,960,837 A * 10/1999 Cude A61M 1/0001
137/205
6,627,152 B1 * 9/2003 Wong A61B 10/0045
422/408
D522,145 S * 5/2006 Best D10/81

1 Claim, 7 Drawing Sheets



(56)

References Cited

U.S. PATENT DOCUMENTS

7,517,495 B2 * 4/2009 Wu A61B 10/0045
422/550
8,974,399 B2 * 3/2015 Teixeira A61B 10/0051
600/562
D735,880 S * 8/2015 Bargh D24/224
9,332,969 B2 * 5/2016 Han A61B 10/0096
D820,996 S * 6/2018 Knaus C12M 23/08
D24/224
2004/0230135 A1 11/2004 Merkle
2007/0191731 A1 8/2007 Kaye et al.

OTHER PUBLICATIONS

Search Report issued in corresponding UK Patent Application No.
GB1517921.1 dated Mar. 10, 2016 (3 pages).
Design U.S. Appl. No. 29/619,879, filed Oct. 3, 2017 (8 pages).

* cited by examiner

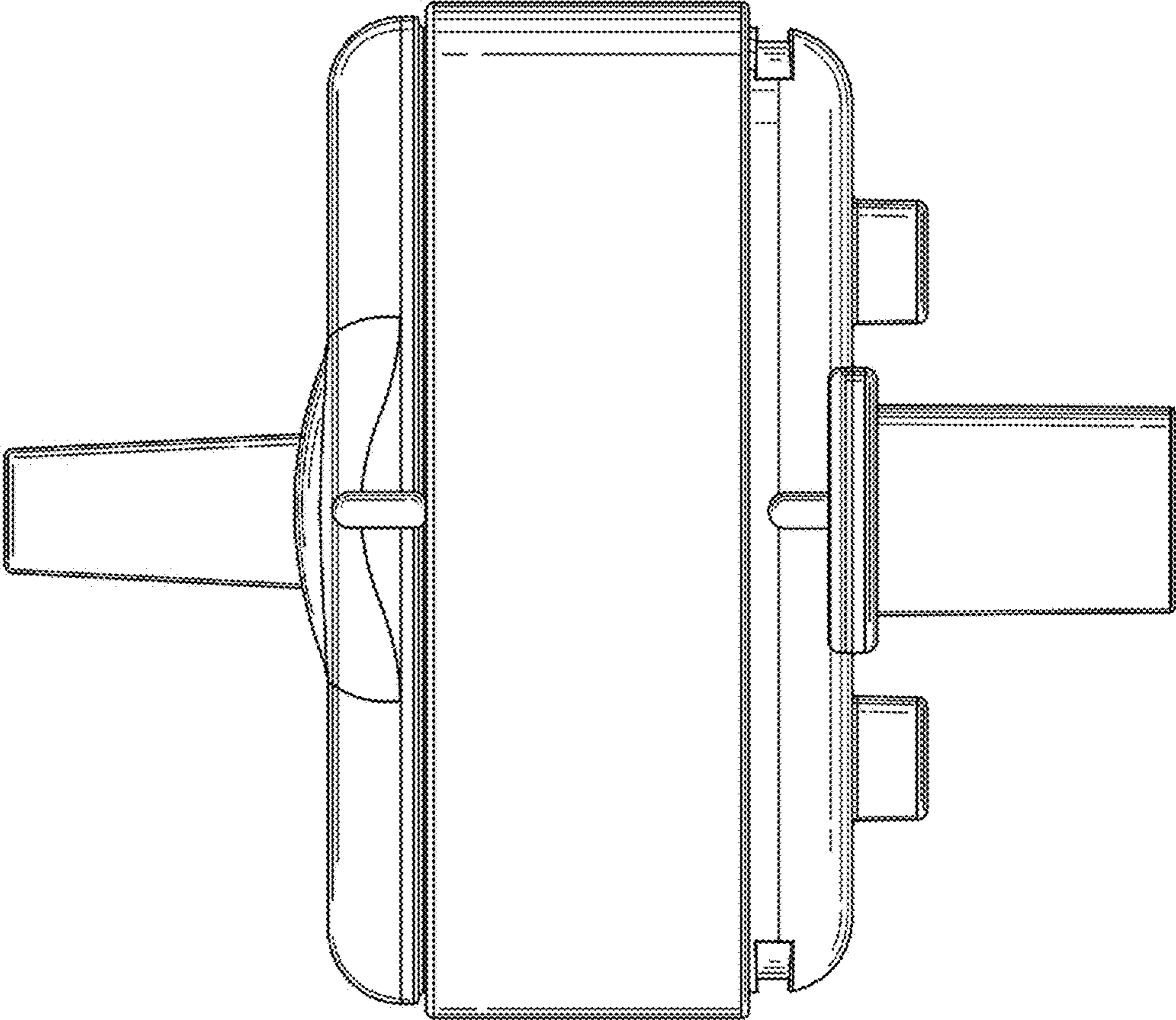


FIG. 1

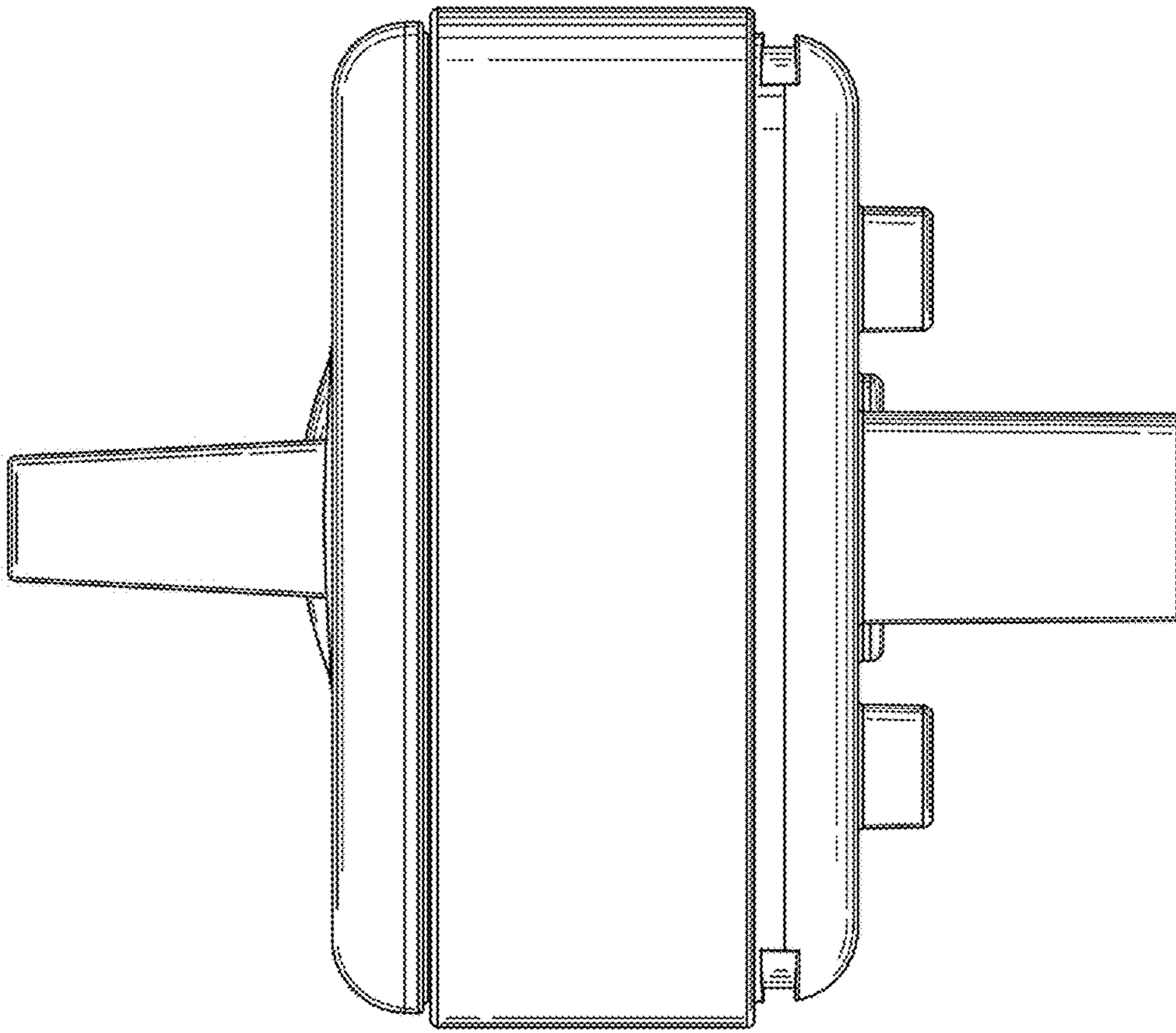


FIG. 2

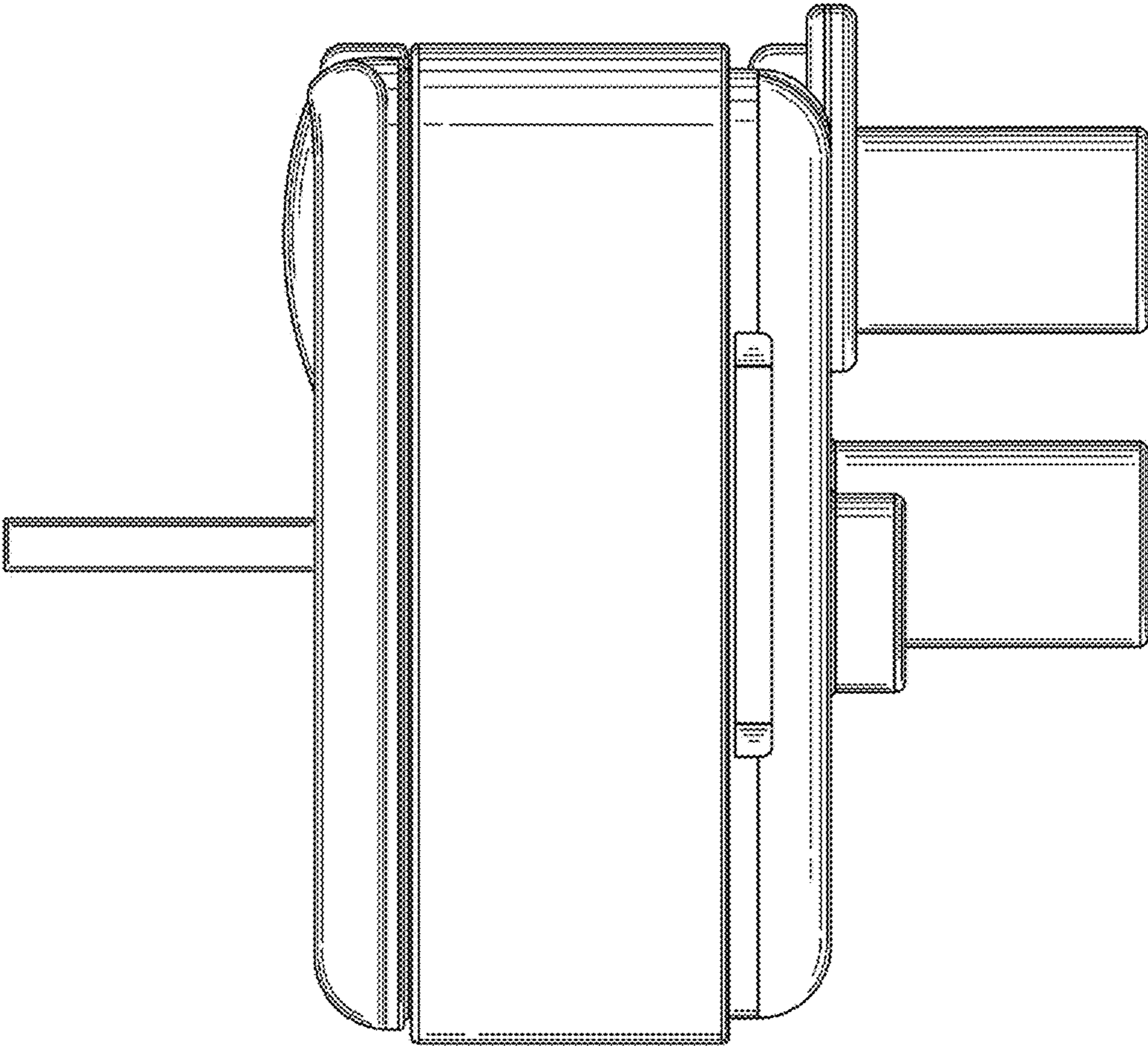


FIG. 3

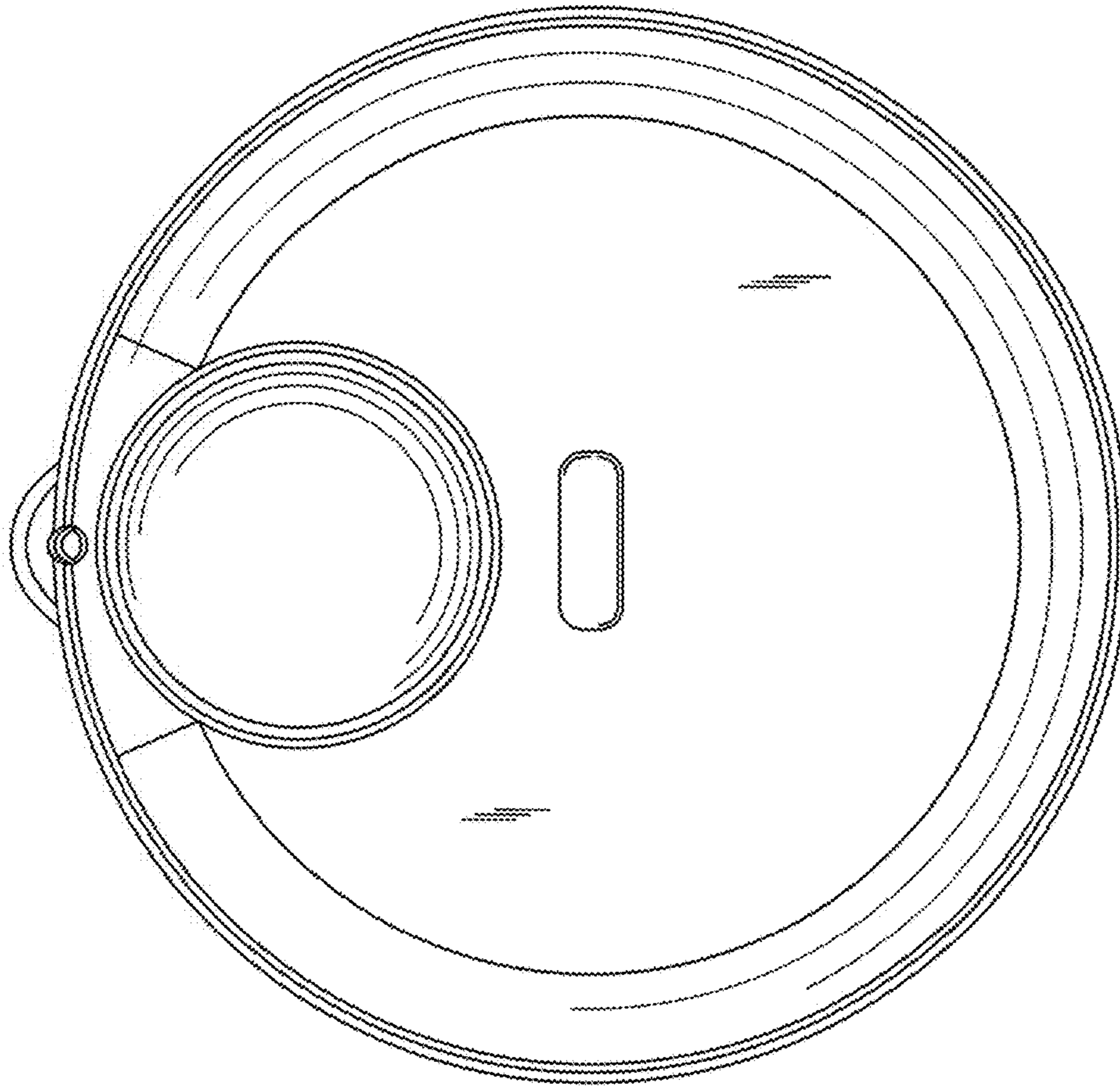


FIG. 4

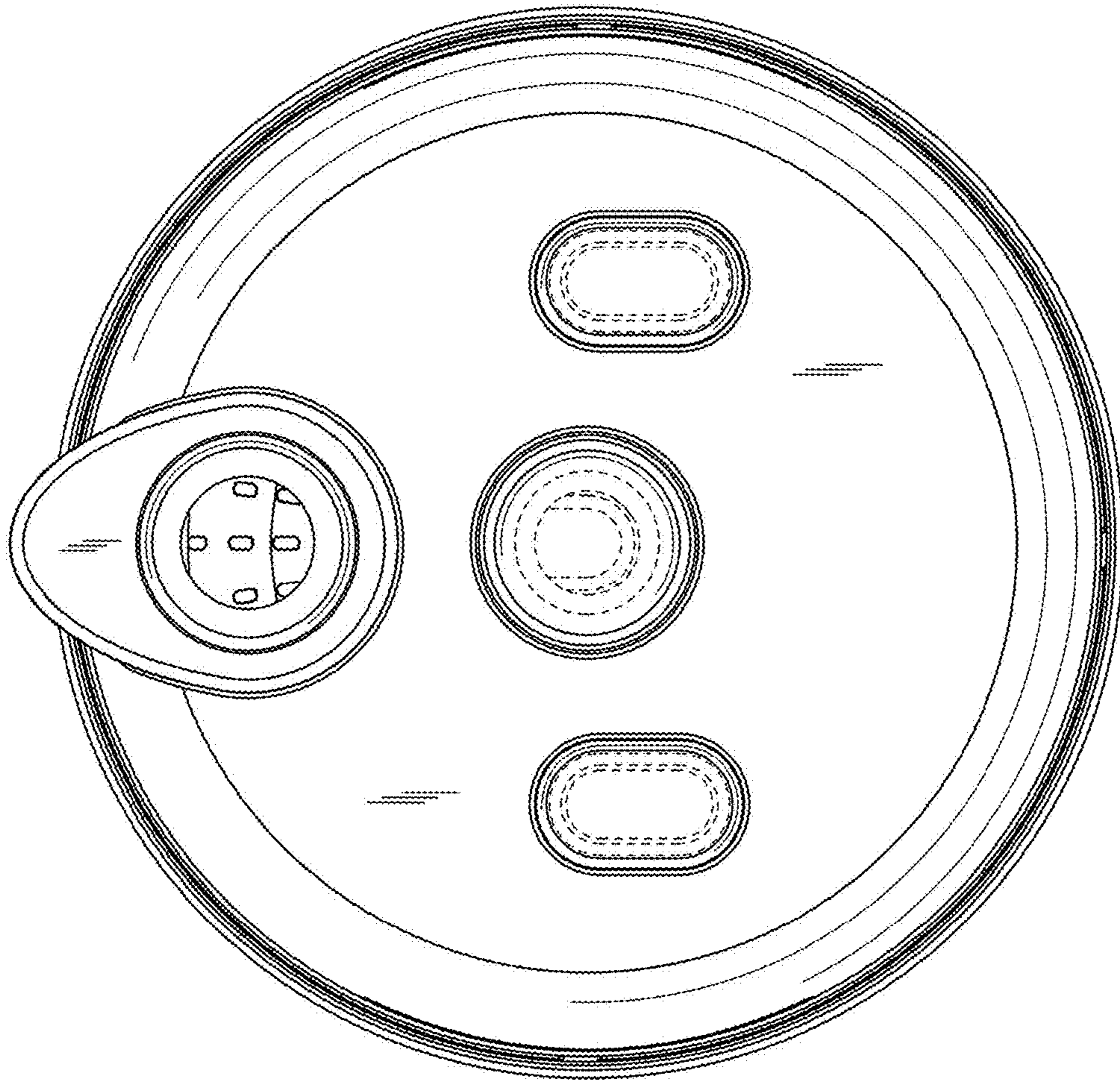


FIG. 5

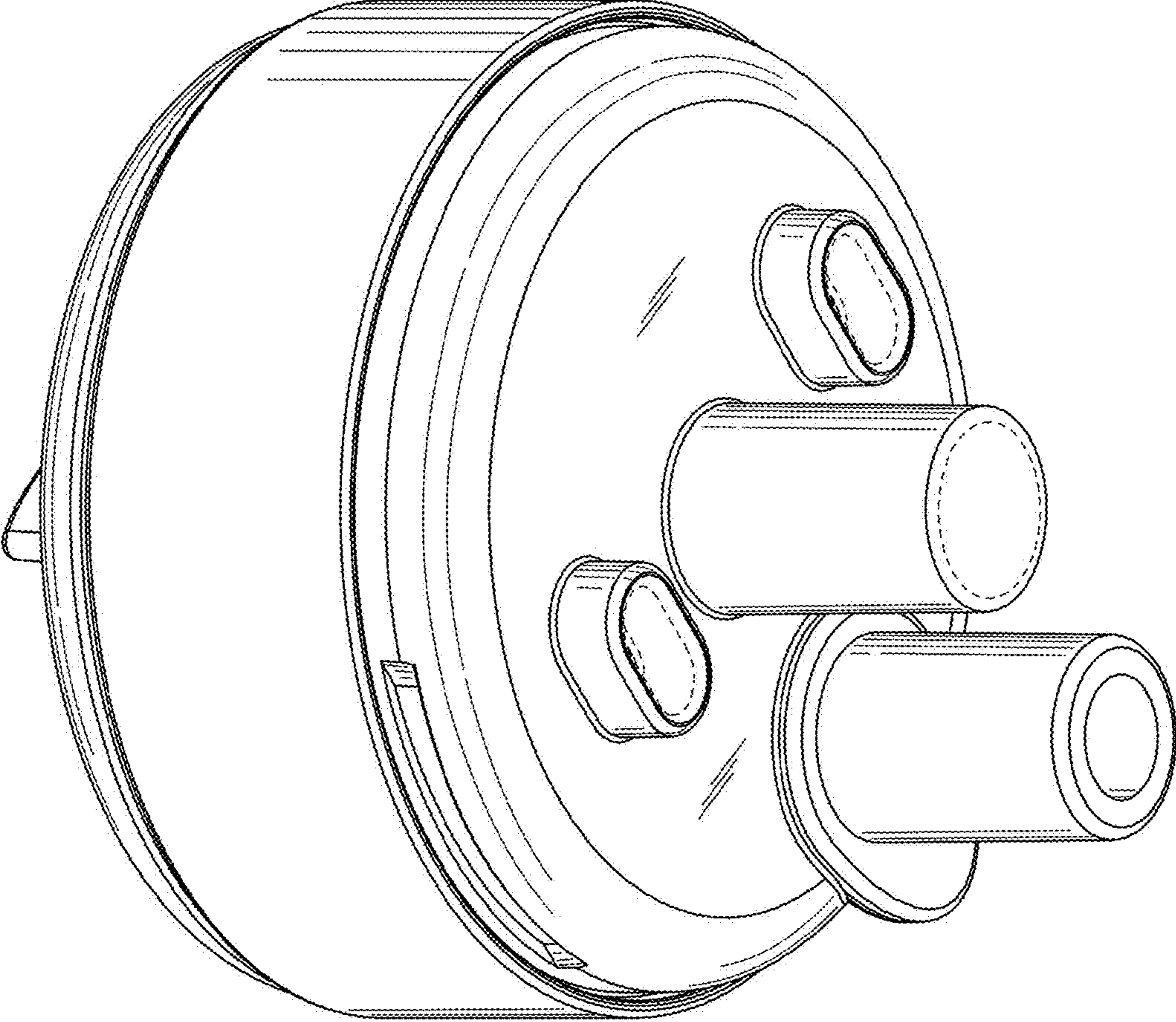


FIG. 6

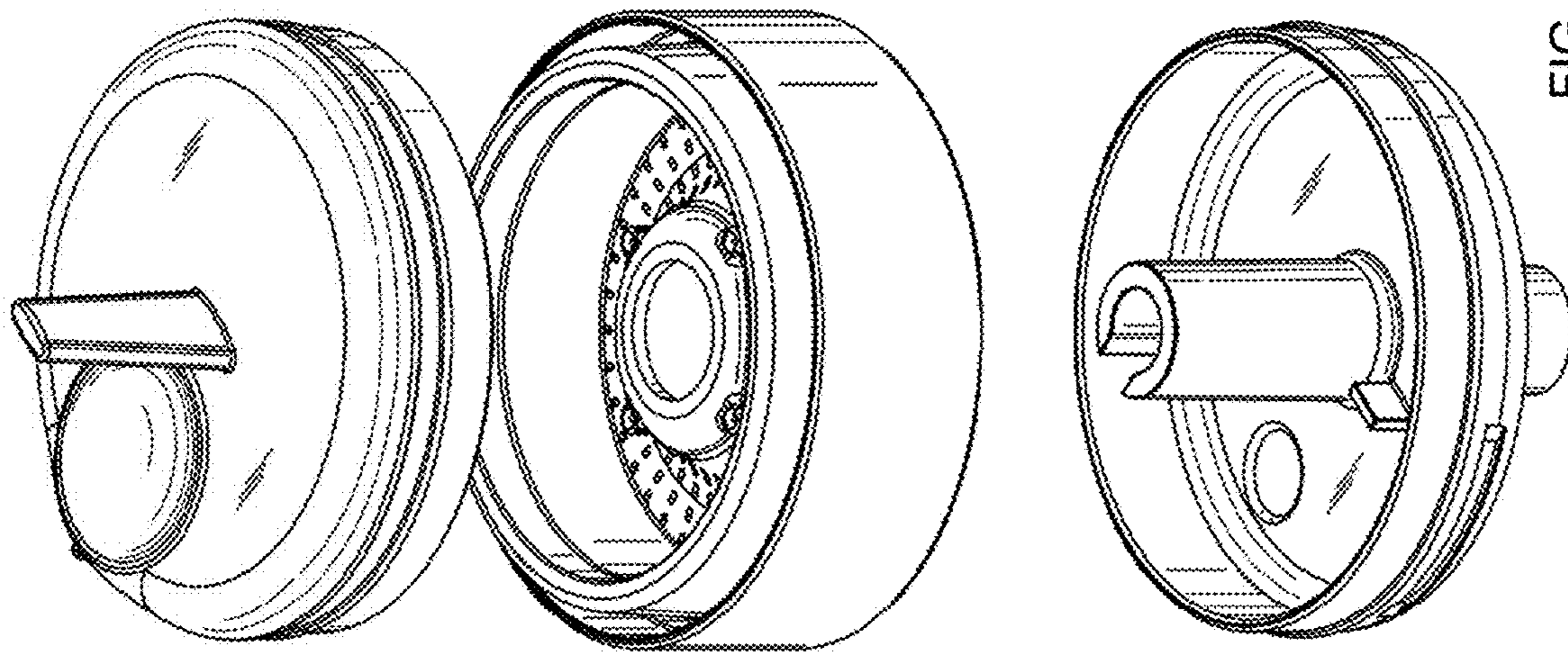


FIG. 7