



US00D846729S

(12) **United States Design Patent**
Qu et al.

(10) **Patent No.:** **US D846,729 S**
(45) **Date of Patent:** **** Apr. 23, 2019**

(54) **CONE-SHAPED EARPLUG WITH PADDLE HANDLE**

(71) Applicant: **Honeywell International Inc.**, Morris Plains, NJ (US)

(72) Inventors: **Rocky Qu**, Shanghai (CN); **Zhao Xia Jin**, Shanghai (CN); **Jex Zhang**, Shanghai (CN); **Charlotte Loomis**, La Jolla, CA (US); **Dave Mulvey**, San Diego, CA (US)

(73) Assignee: **Honeywell International Inc.**, Morris Plains, NJ (US)

(**) Term: **15 Years**

(21) Appl. No.: **29/618,802**

(22) Filed: **Sep. 25, 2017**

Related U.S. Application Data

(62) Division of application No. 29/519,541, filed on Mar. 5, 2015, now Pat. No. Des. 798,436.

(51) **LOC (11) Cl.** **14-04**

(52) **U.S. Cl.**
USPC **D24/106**

(58) **Field of Classification Search**
USPC D24/106, 141, 173, 174; D14/223; D29/112
CPC A61F 13/08; A61F 13/10; A61F 2011/085; A61F 13/2005; A61F 13/2011
See application file for complete search history.

(56) **References Cited**

U.S. PATENT DOCUMENTS

4,053,051 A 10/1977 Brinkhoff
D266,787 S * 11/1982 Refer D24/146
D317,632 S 6/1991 Mariol
D343,650 S 1/1994 Spence, Jr.
D369,655 S 5/1996 Esler et al.

D451,193 S * 11/2001 McCormick D24/106
D467,333 S 12/2002 Martinson
6,768,040 B1 * 7/2004 Sessions A61F 13/126
128/206.11

D496,722 S 9/2004 Falco et al.
D560,792 S 1/2008 Miller
D621,030 S 8/2010 Falco
D641,465 S 7/2011 Falco

(Continued)

OTHER PUBLICATIONS

Design U.S. Appl. No. 29/519,541, Restriction Requirement, dated Sep. 2, 2016, 5 pages.

(Continued)

Primary Examiner — Richelle G Shelton

(74) *Attorney, Agent, or Firm* — Wick Phillips Gould & Martin, LLP

(57) **CLAIM**

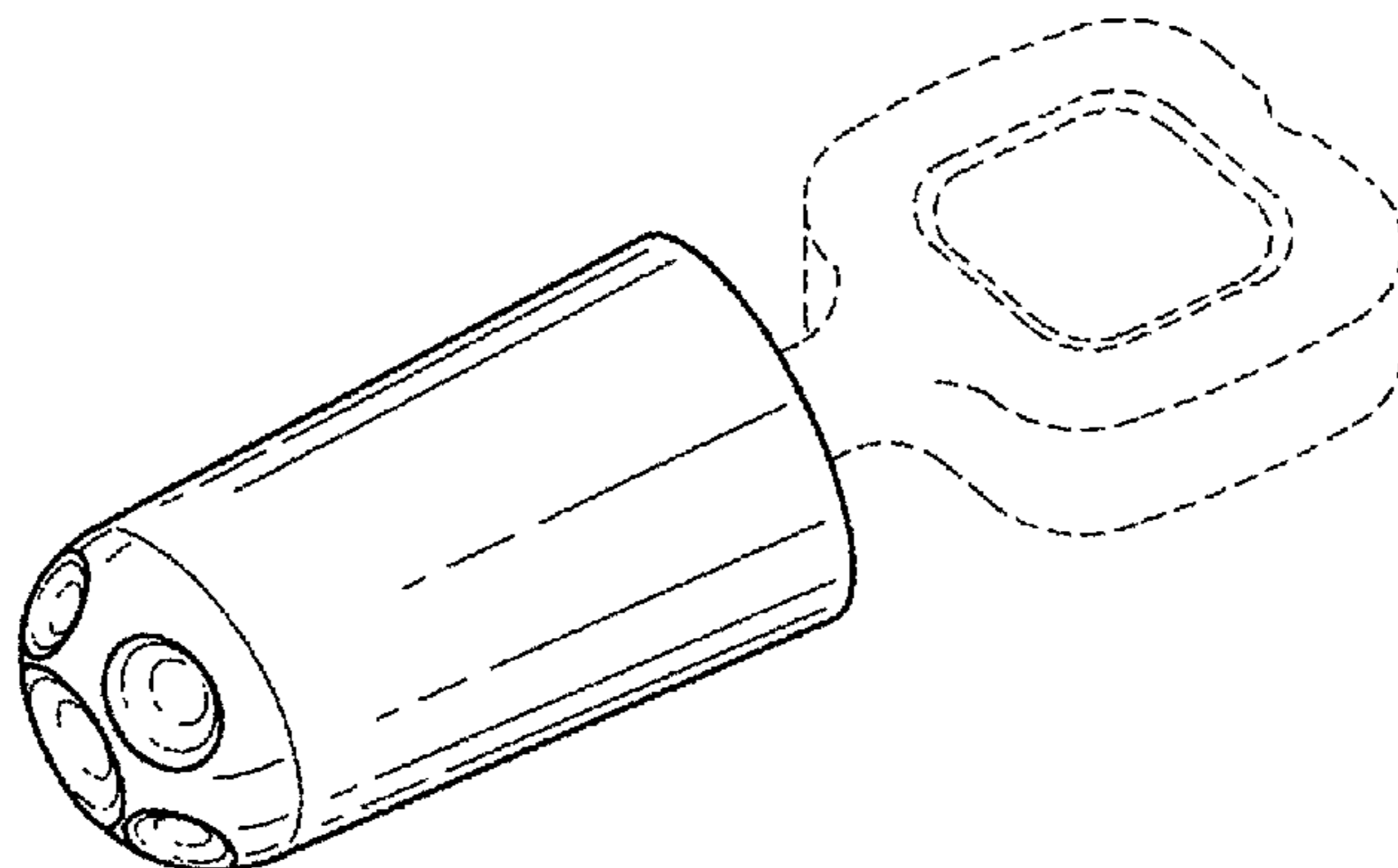
The ornamental design for a cone-shaped earplug with a paddle handle, as shown and described.

DESCRIPTION

FIG. 1 is a top perspective view of a cone-shaped earplug with a paddle handle in accordance with the new design; FIG. 2 is a bottom perspective view thereof; FIG. 3 is a side elevation view thereof; FIG. 4 is a side elevation view thereof, for the side opposite that of FIG. 3; FIG. 5 is a side elevation view thereof, for the side 90 degrees from that of FIG. 4; FIG. 6 is a side elevation view thereof, for the side opposite that of FIG. 5; FIG. 7 is a top plan view thereof; and, FIG. 8 is a bottom plan view thereof.

The broken lines shown in the drawings are only provided to illustrate the environment of the design, and form no part of the claimed design.

1 Claim, 4 Drawing Sheets



(56)

References Cited

U.S. PATENT DOCUMENTS

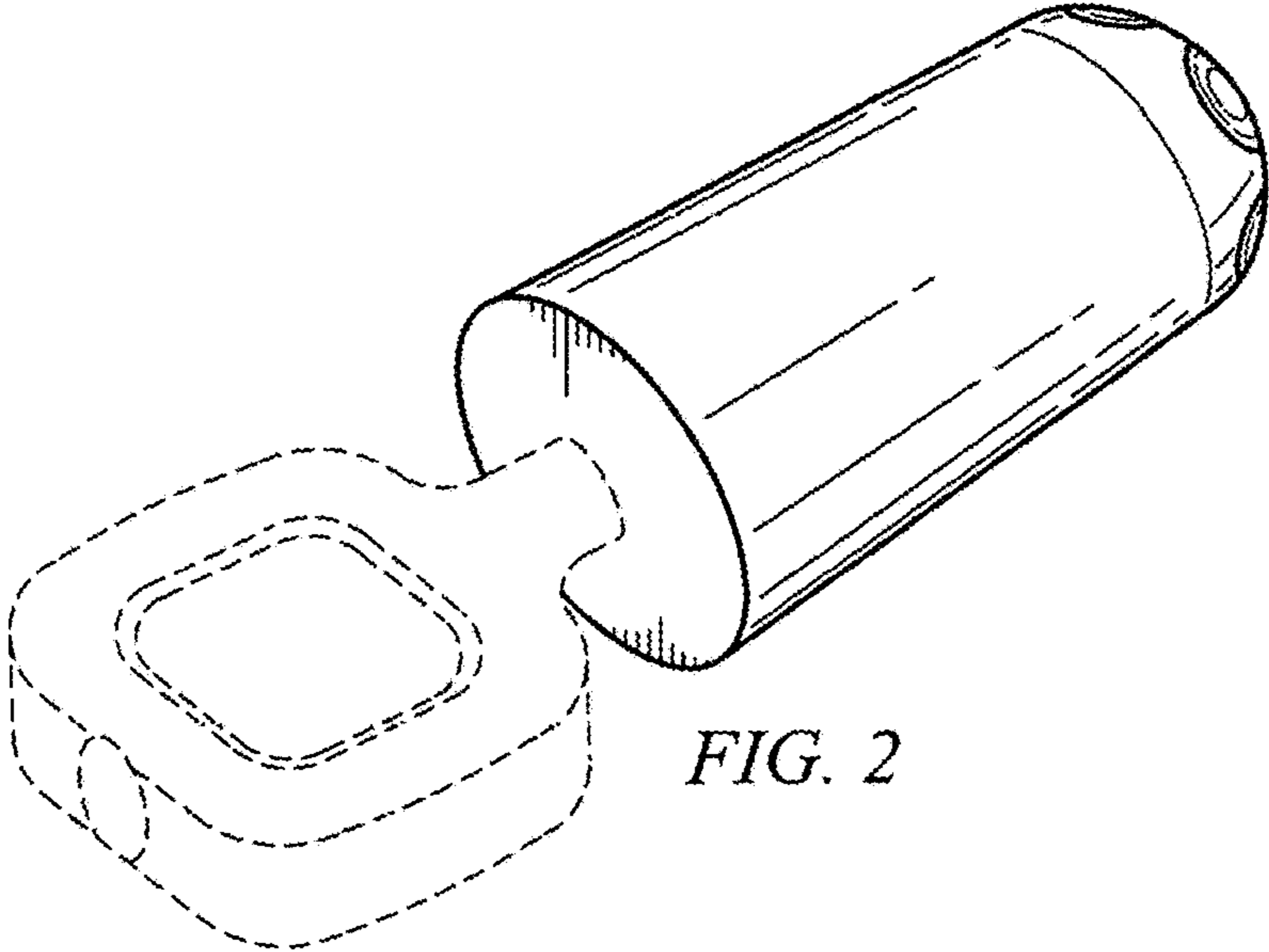
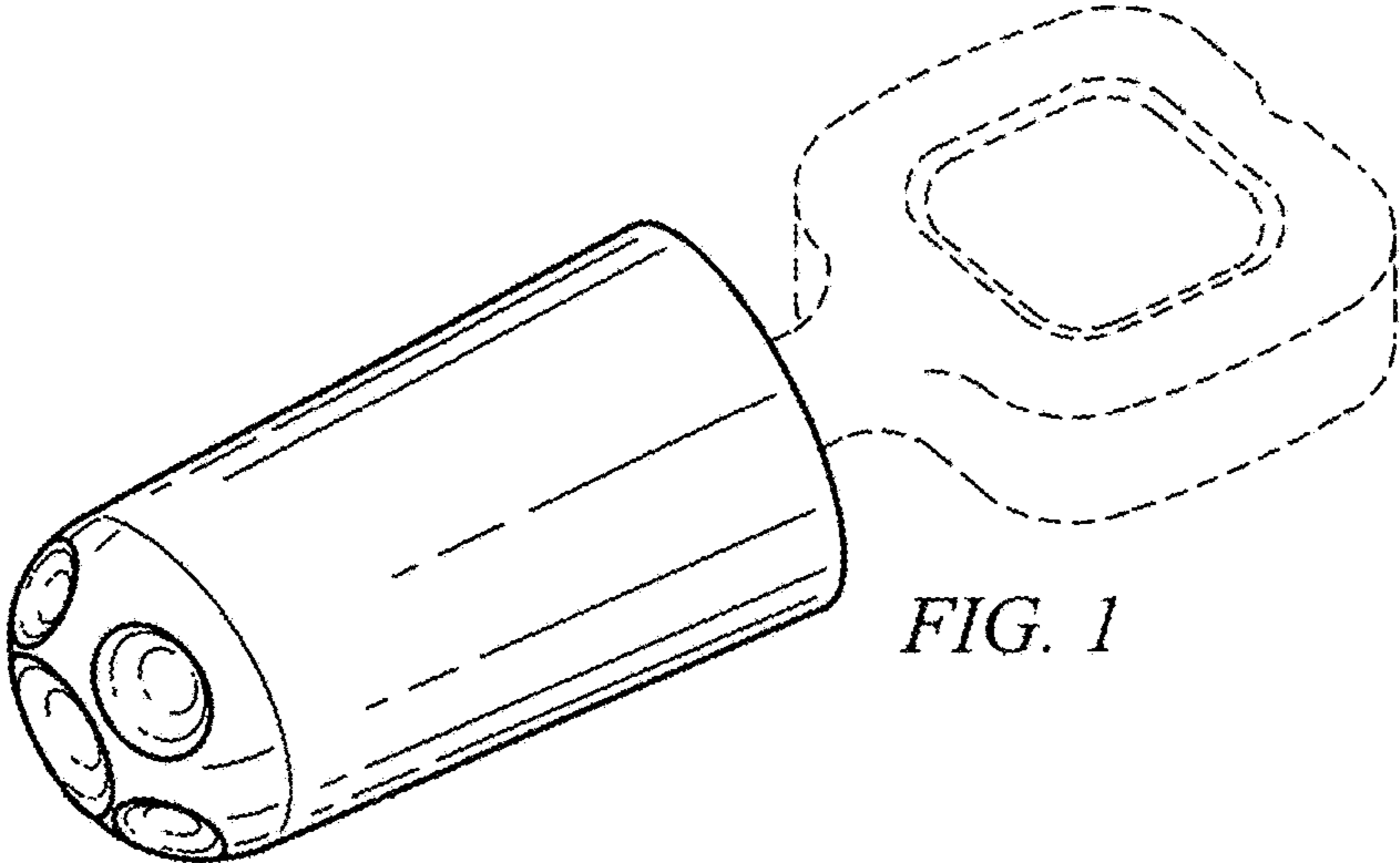
D658,282 S * 4/2012 Falco D24/106
8,413,663 B2 4/2013 Turdjan et al.
D697,613 S * 1/2014 Pick A61F 11/08
D24/106
D788,289 S * 5/2017 Qu D24/106
2010/0130907 A1* 5/2010 Linkel A61F 13/206
604/11
2013/0161119 A1 6/2013 Mulvey
2015/0351974 A1* 12/2015 Levantino A61F 13/2074
604/57

OTHER PUBLICATIONS

Design U.S. Appl. No. 29/519,541, Office Action, dated Nov. 21, 2016, 9 pages.

Design U.S. Appl. No. 29/519,541, Notice of Allowance, dated May 18, 2017, 6 pages.

* cited by examiner



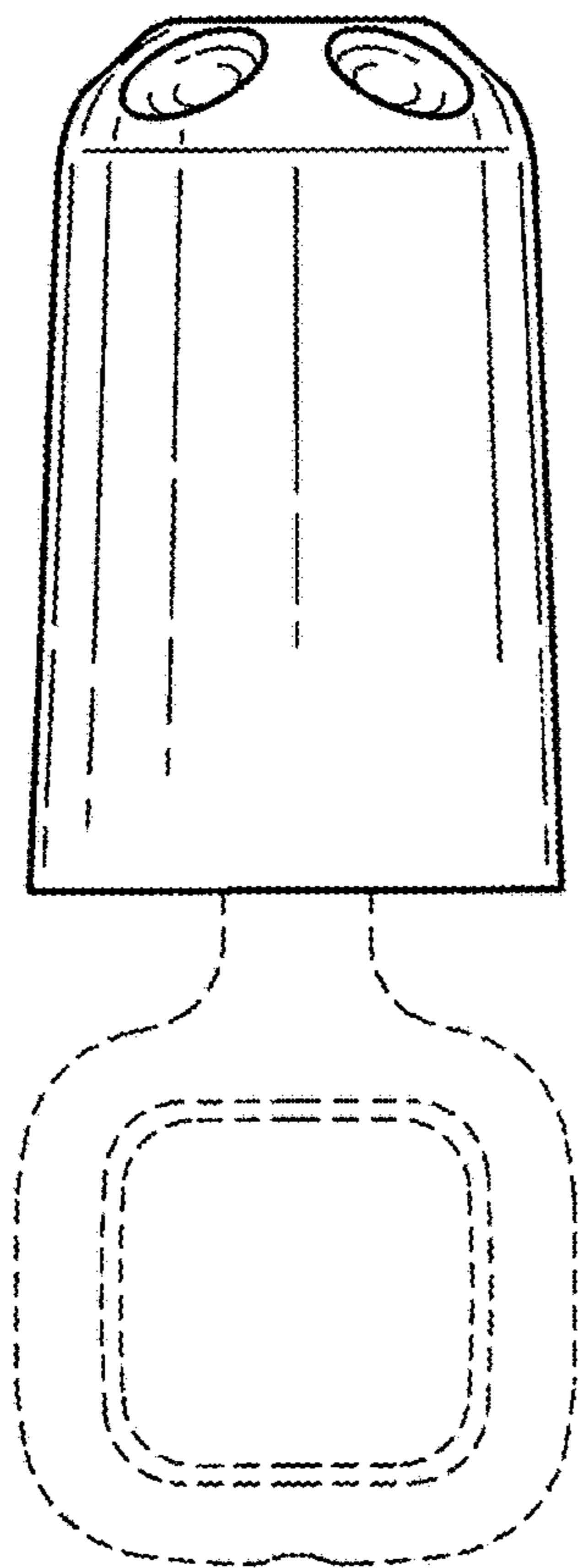


FIG. 3

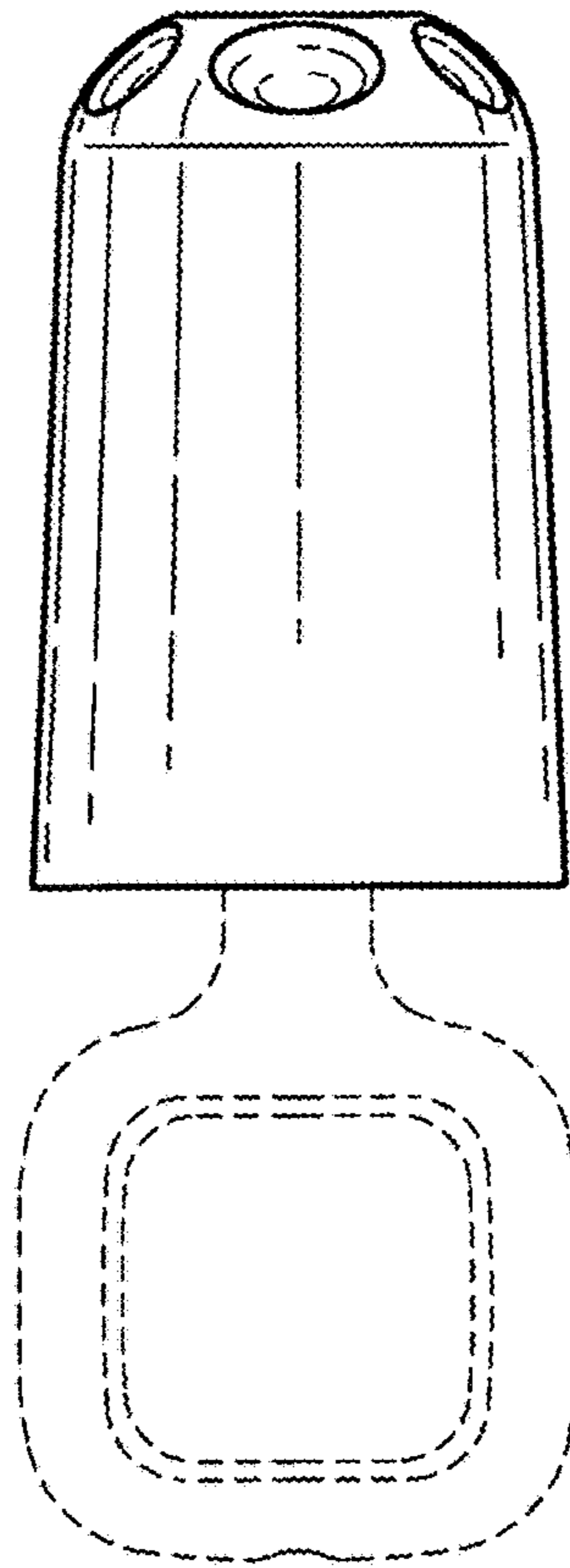


FIG. 4

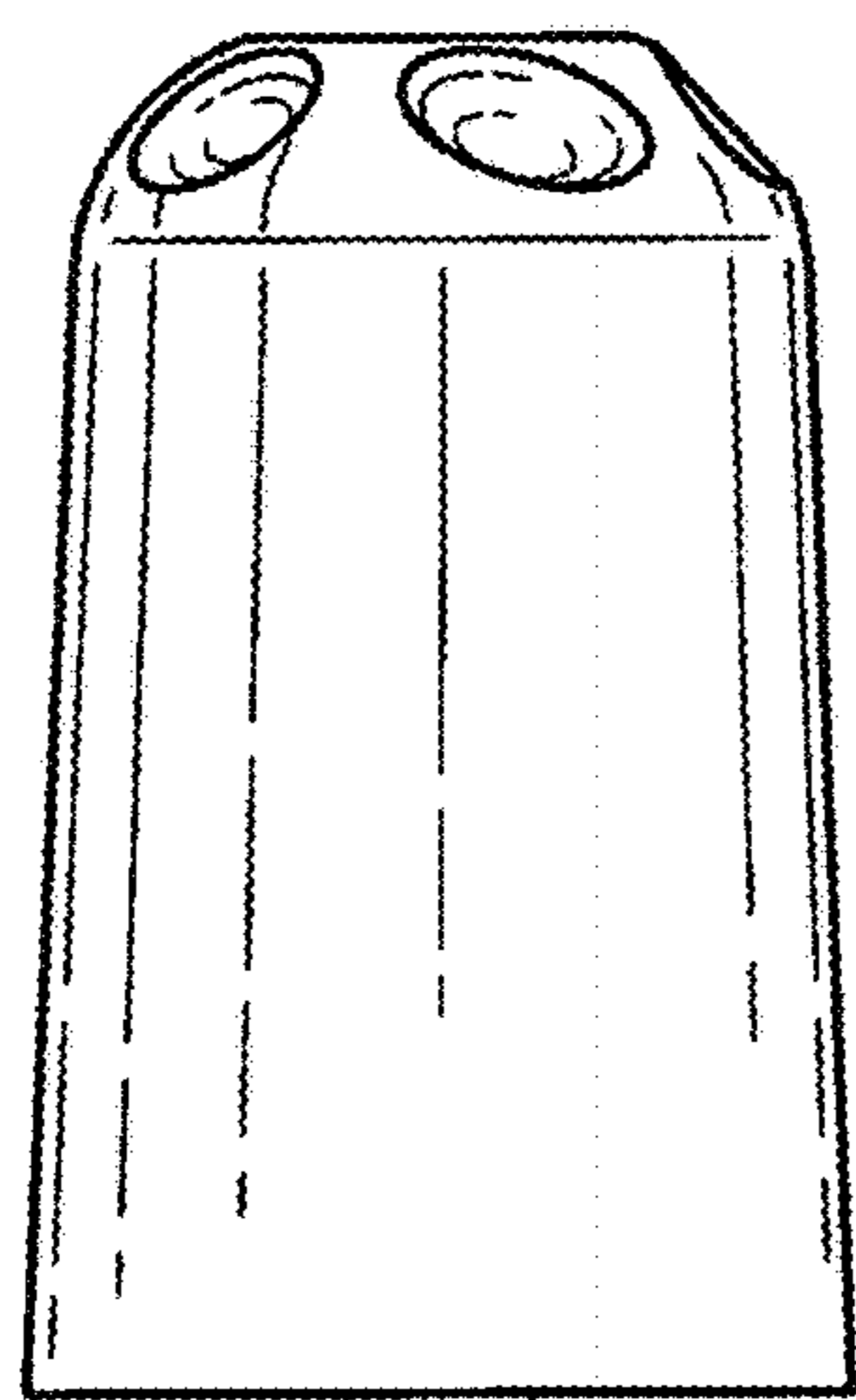


FIG. 5

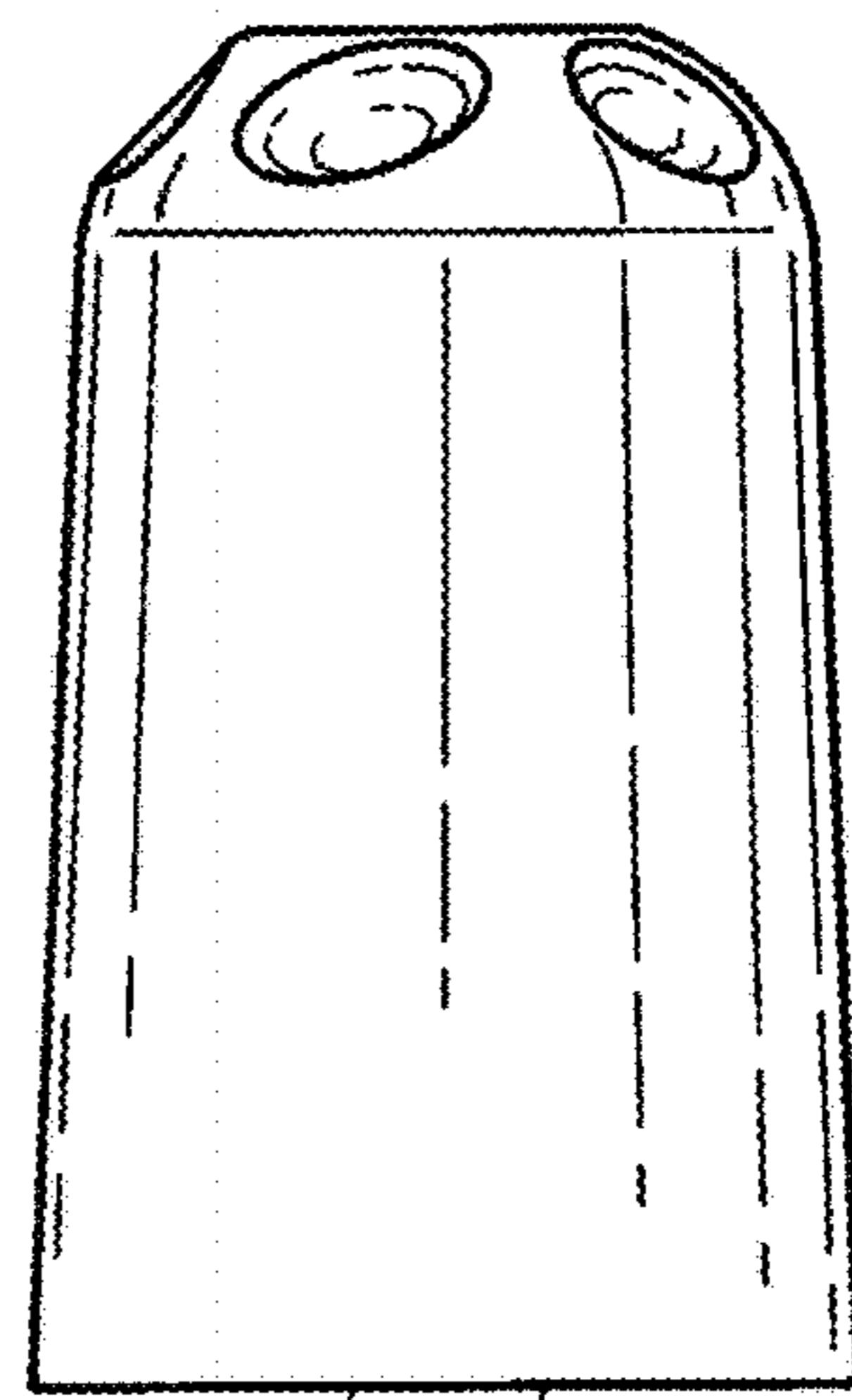


FIG. 6

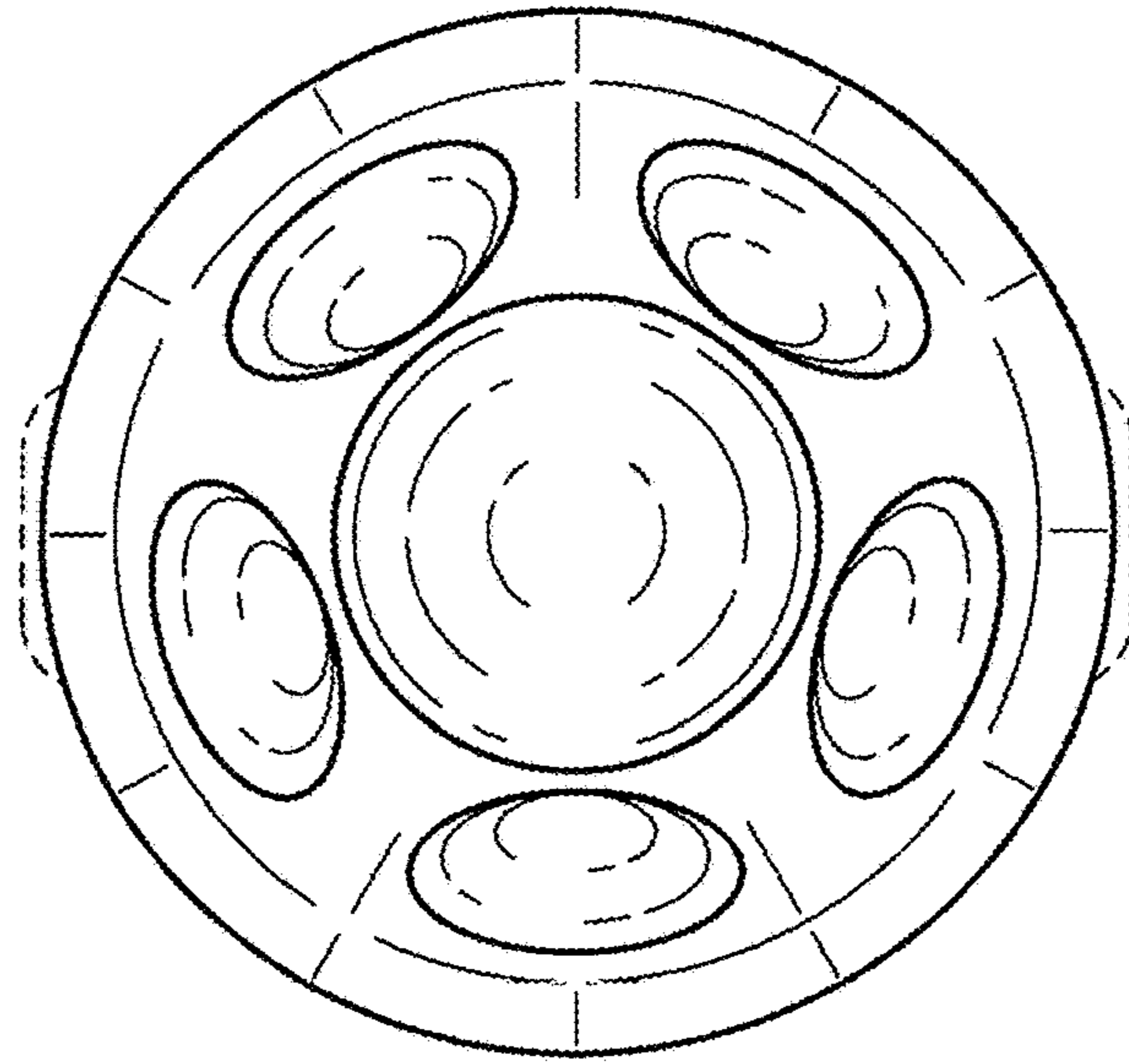


FIG. 7

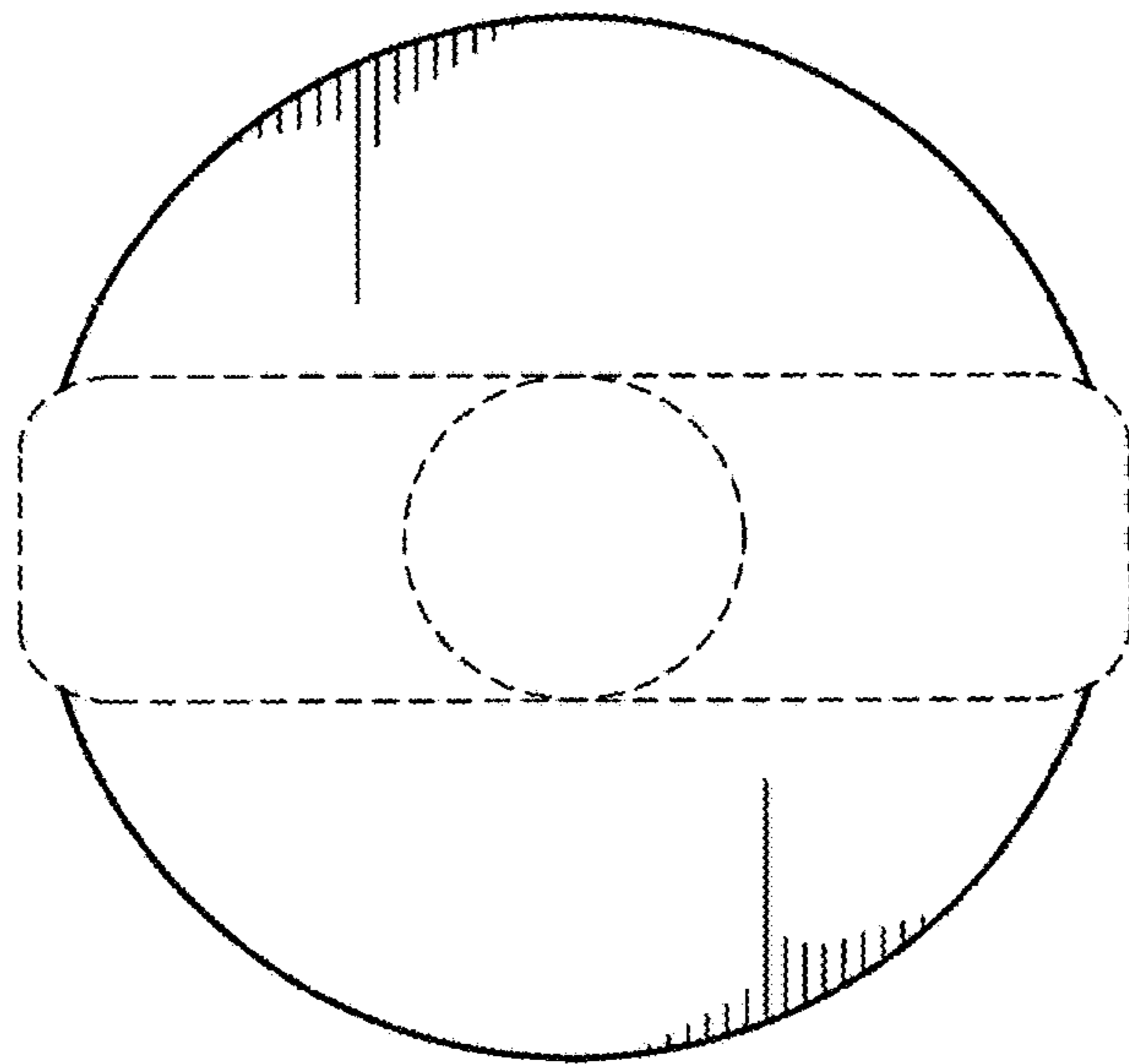


FIG. 8