



US00D846728S

(12) **United States Design Patent** (10) **Patent No.:** **US D846,728 S**
Wang (45) **Date of Patent:** **** Apr. 23, 2019**

(54) **LED CAMPING LANTERN WITH CEILING FAN** D431,661 S * 10/2000 Yuen D26/38
D571,493 S * 6/2008 Li D26/37
D725,301 S * 3/2015 Fradkina D26/40

(71) Applicant: **MAMBATE USA INC.** * cited by examiner

(72) Inventor: **Kaihong Wang**, Guangdong (CN) *Primary Examiner* — Janice Hallmark

(73) Assignee: **MAMBATE USA INC.**, New York, NY (US) (74) *Attorney, Agent, or Firm* — Law Offices of Steven W. Weinrieb

(**) Term: **15 Years**

(21) Appl. No.: **29/581,600**

(22) Filed: **Oct. 20, 2016**

(51) **LOC (11) Cl.** **23-04**

(52) **U.S. Cl.**
USPC **D23/382**; D26/59; D26/40

(58) **Field of Classification Search**
USPC D23/370–379, 381–385, 411–414, 360,
D23/314, 335, 328, 332
CPC F04D 5/00; F04D 27/00; F04D 25/10
See application file for complete search history.

(56) **References Cited**

U.S. PATENT DOCUMENTS

D322,844 S * 12/1991 Leon, Jr. D23/382
D428,172 S * 7/2000 Yuen D26/38

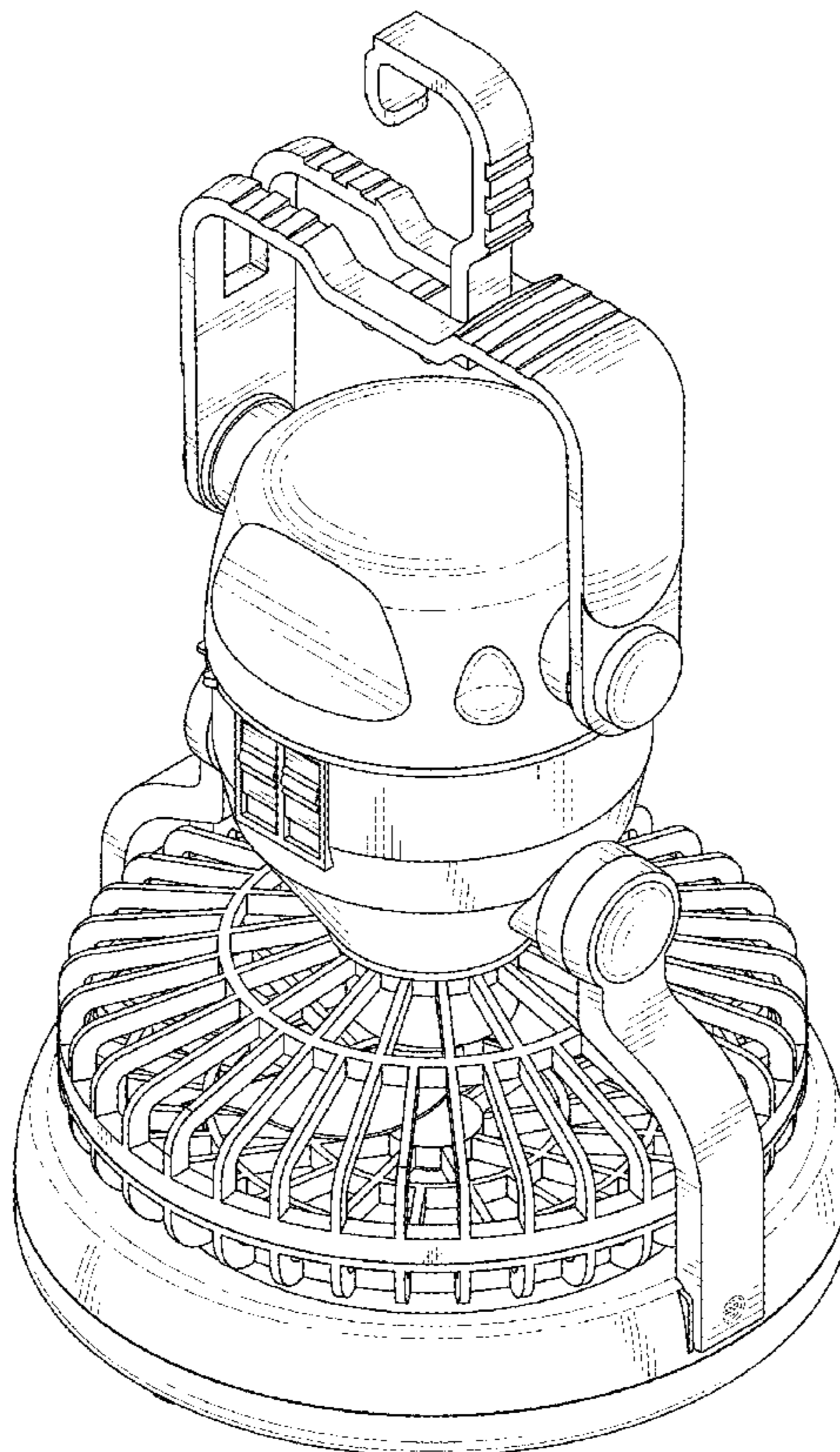
(57) **CLAIM**

The ornamental design for an LED (light-emitting diode) camping lantern with ceiling fan, as shown and described.

DESCRIPTION

FIG. 1 is a perspective view of an LED (light-emitting diode) camping lantern with ceiling fan showing my new design;
FIG. 2 is a front view thereof;
FIG. 3 is a rear view thereof;
FIG. 4 is a left view thereof;
FIG. 5 is a right view thereof;
FIG. 6 is a top view thereof; and,
FIG. 7 is a bottom view thereof.

1 Claim, 7 Drawing Sheets



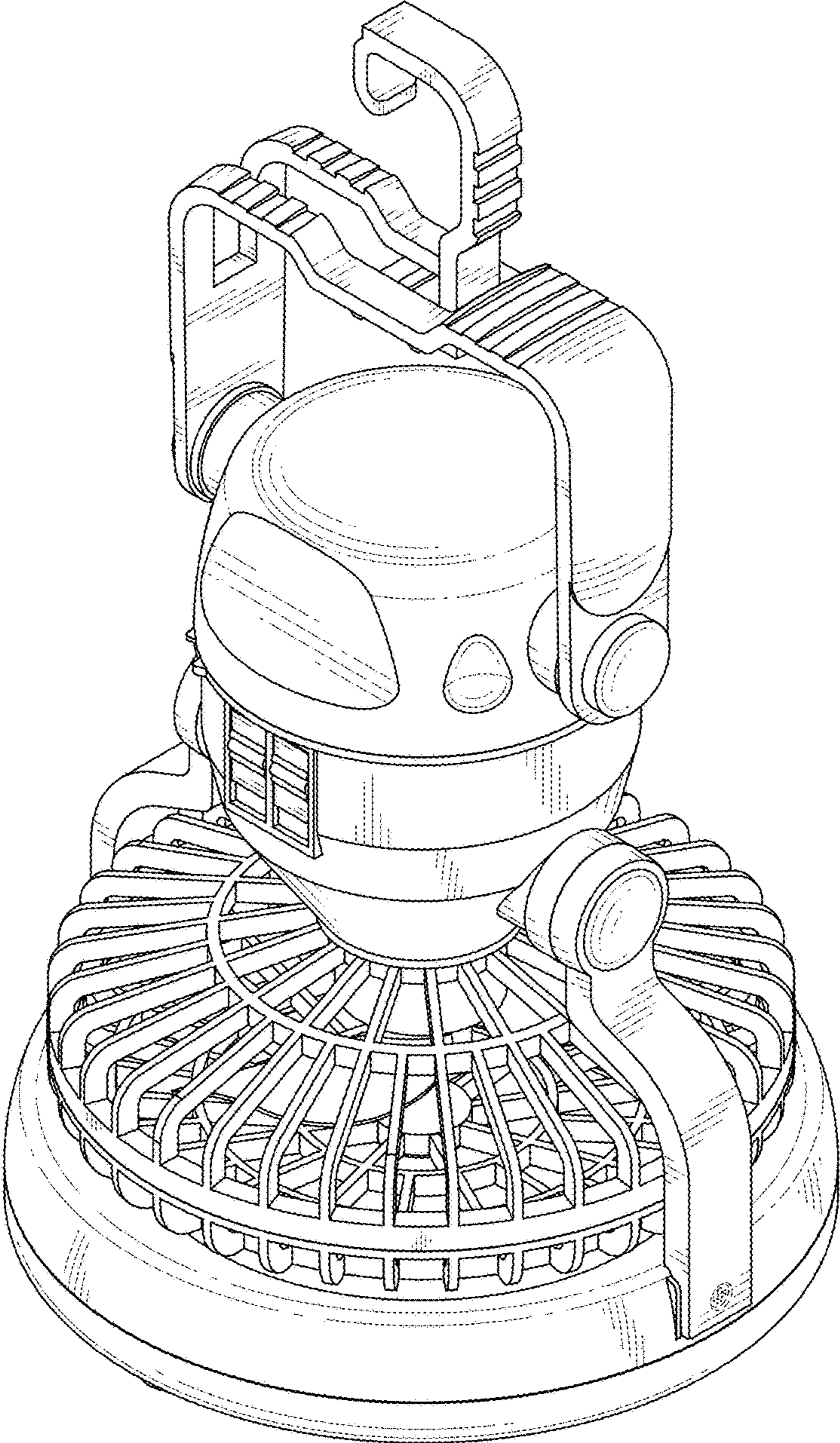


FIG. 1

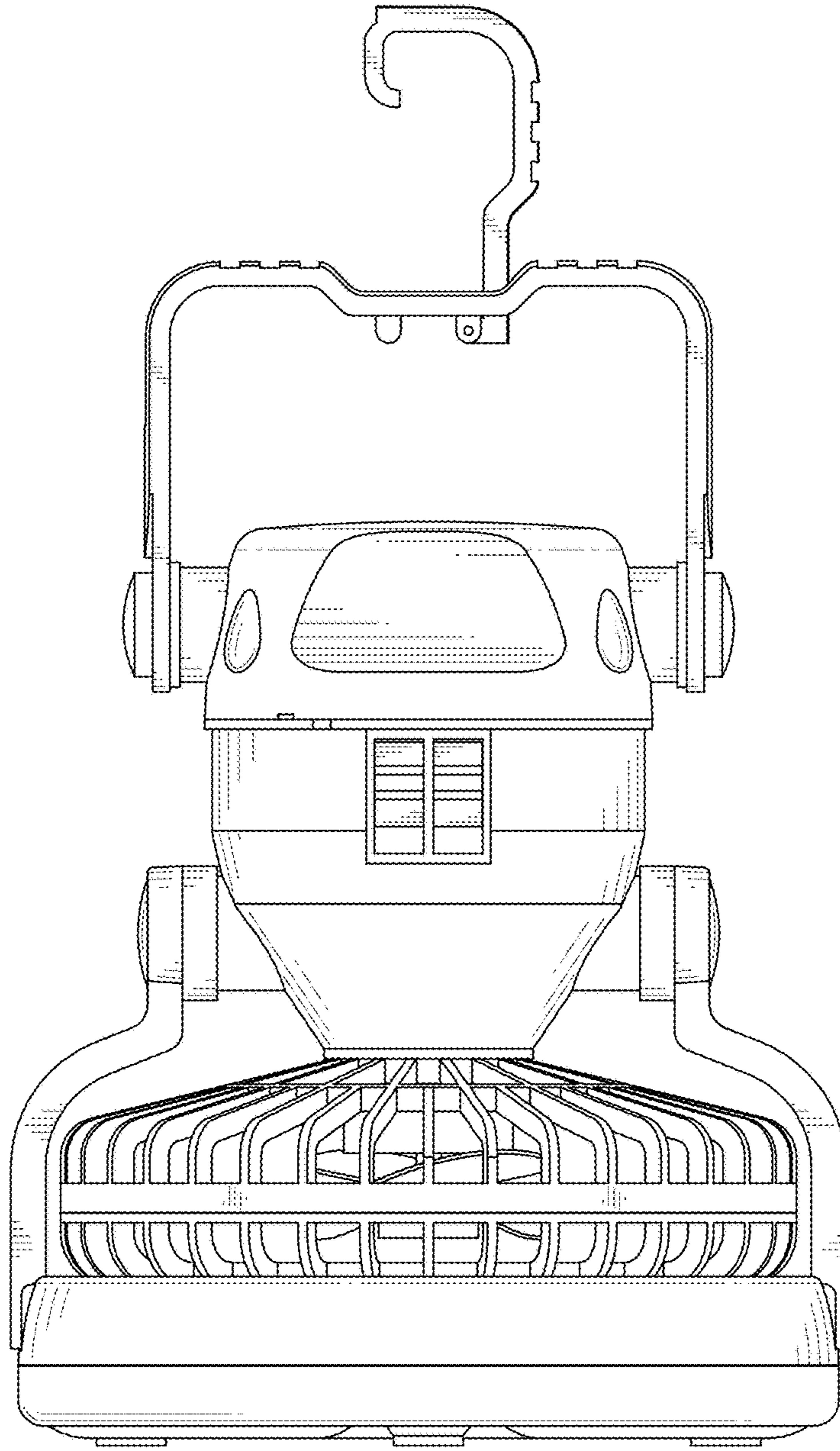


FIG. 2

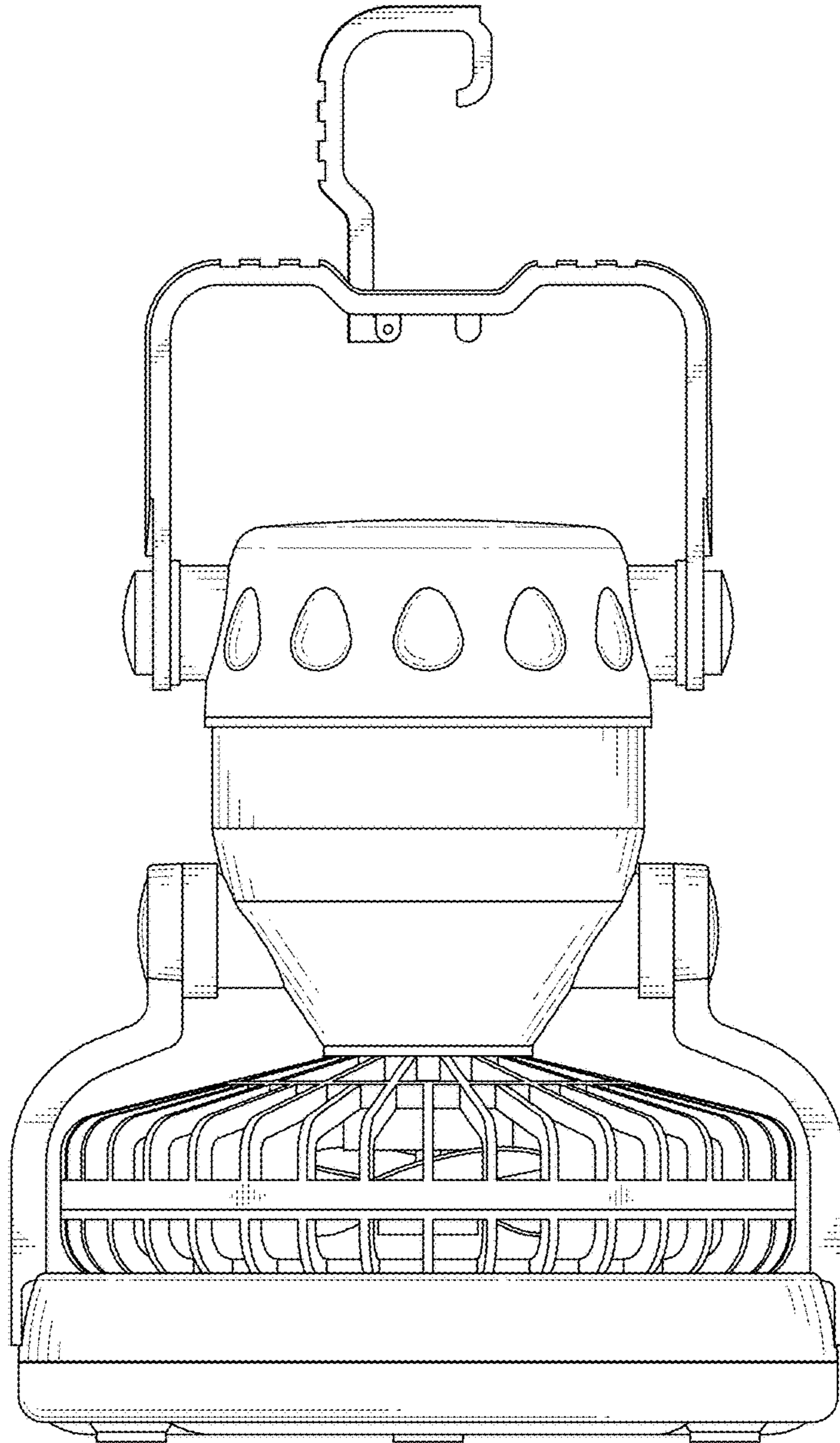


FIG. 3

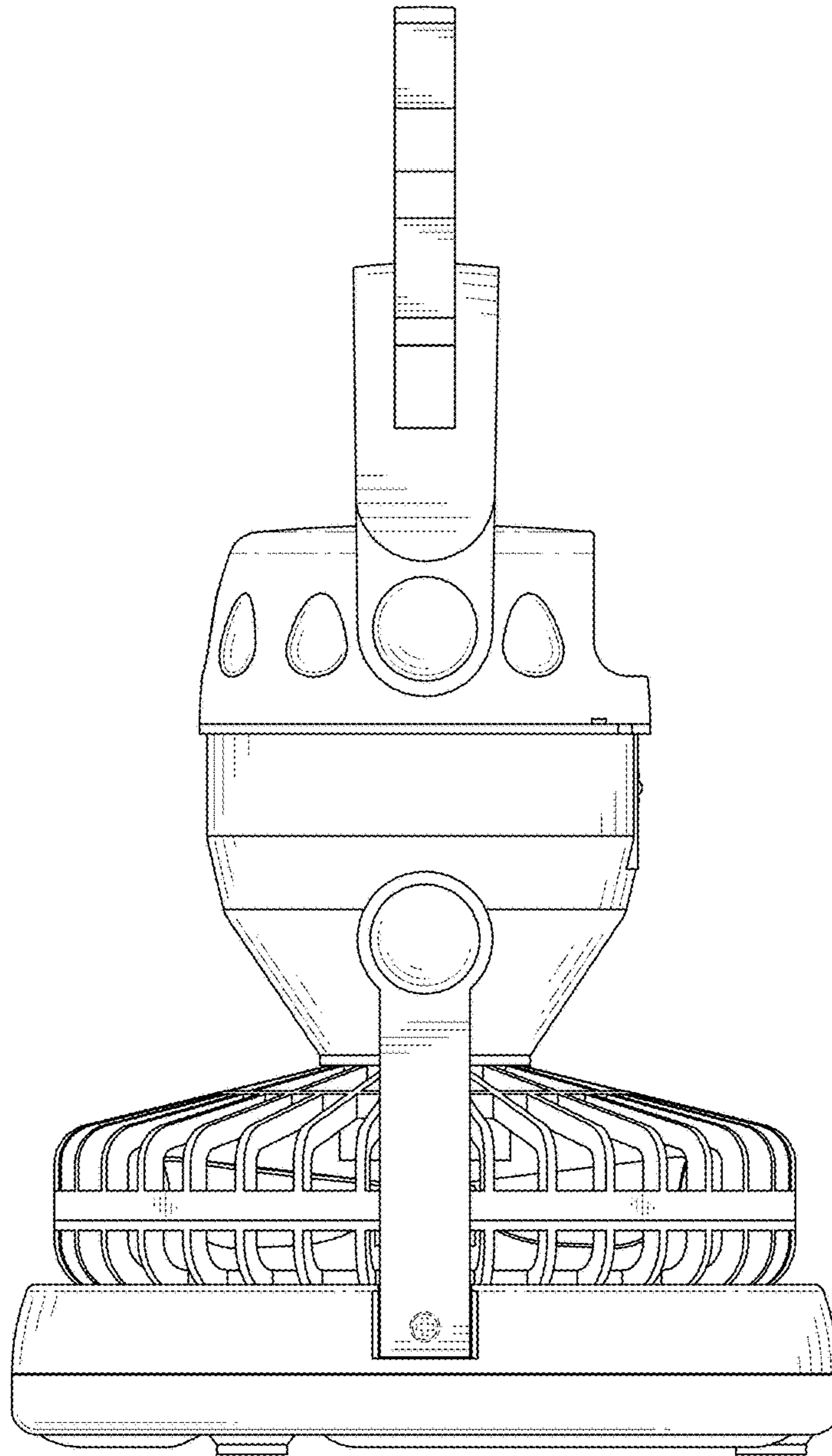


FIG. 4

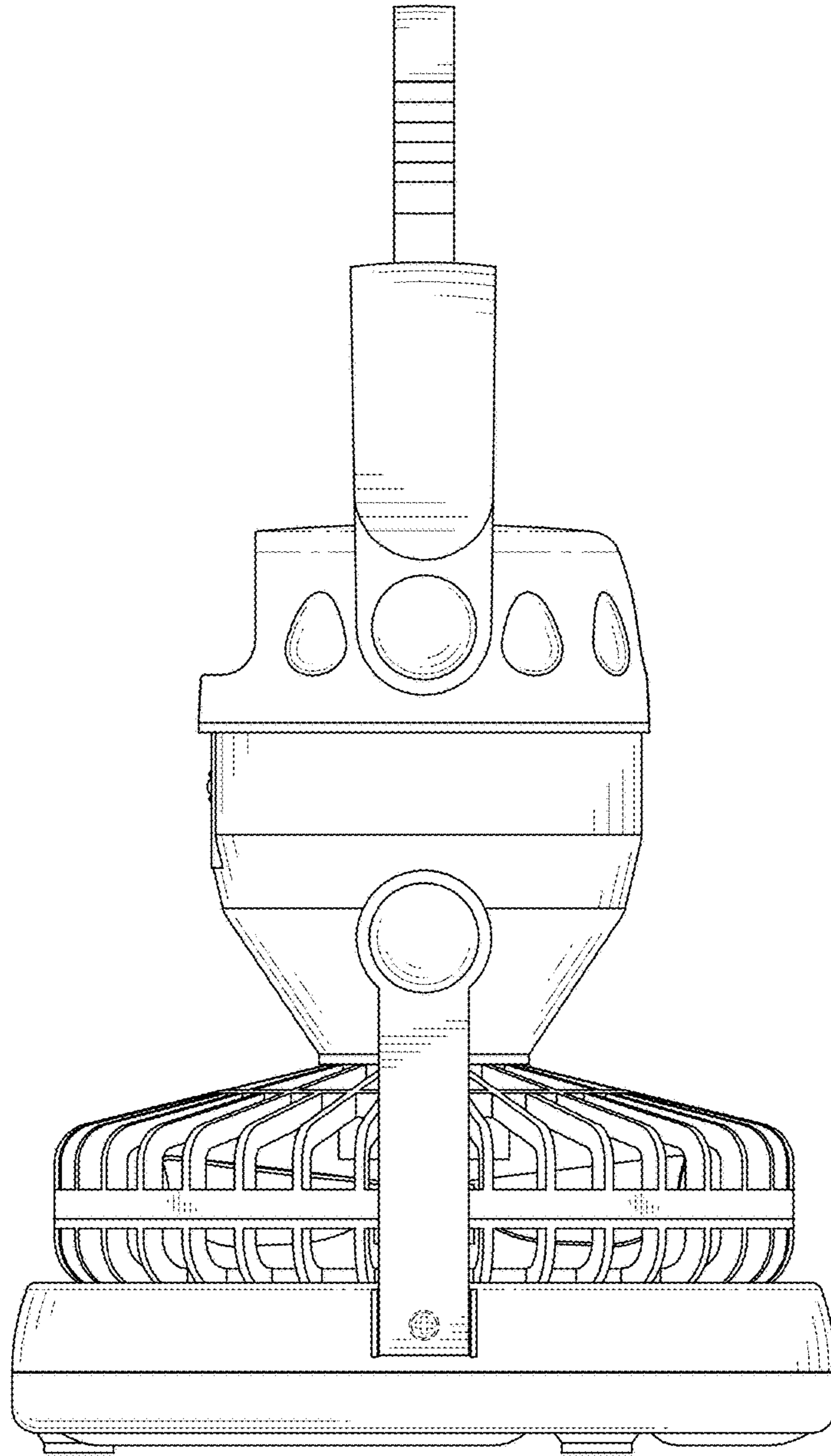


FIG. 5

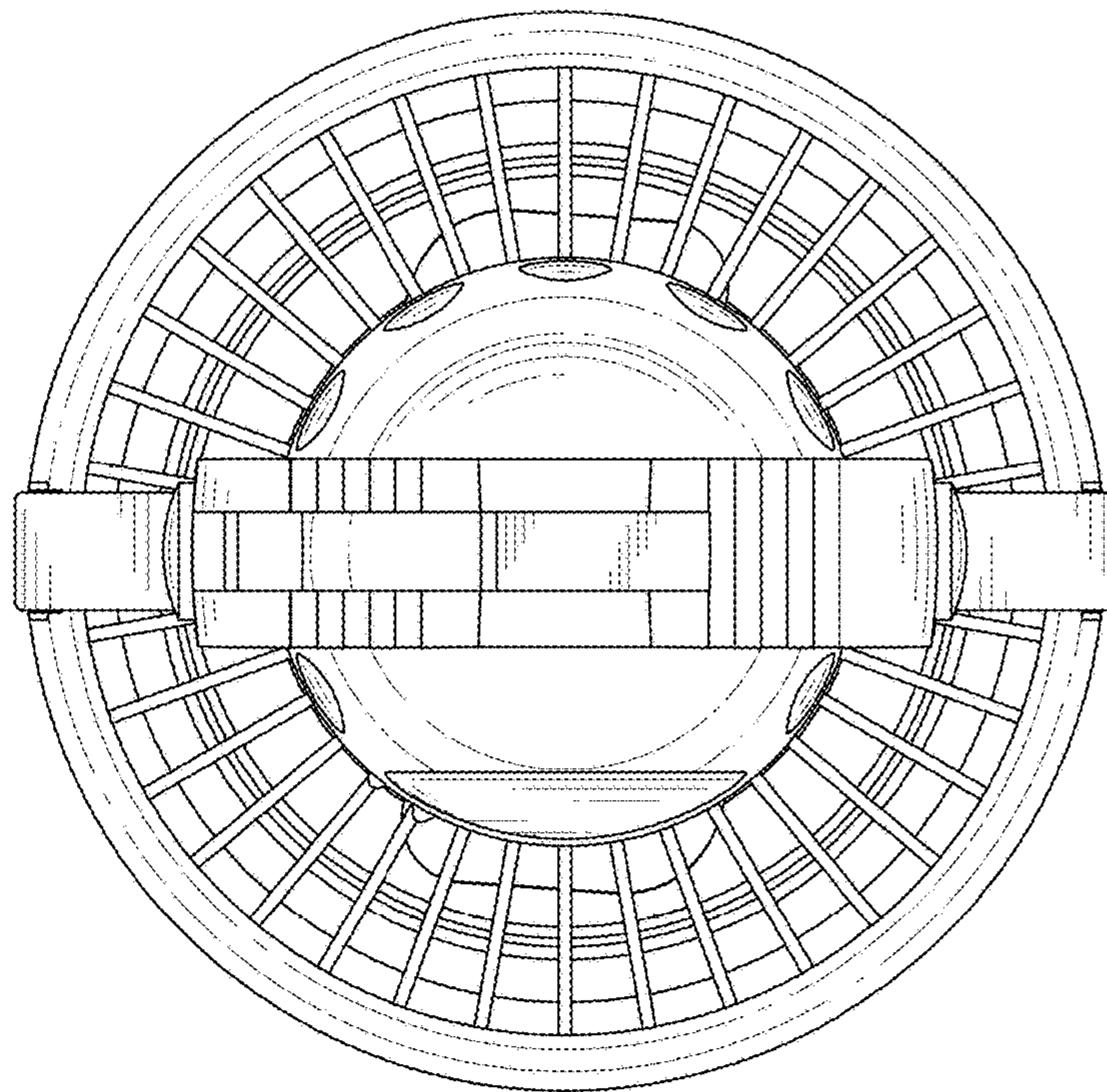


FIG. 6

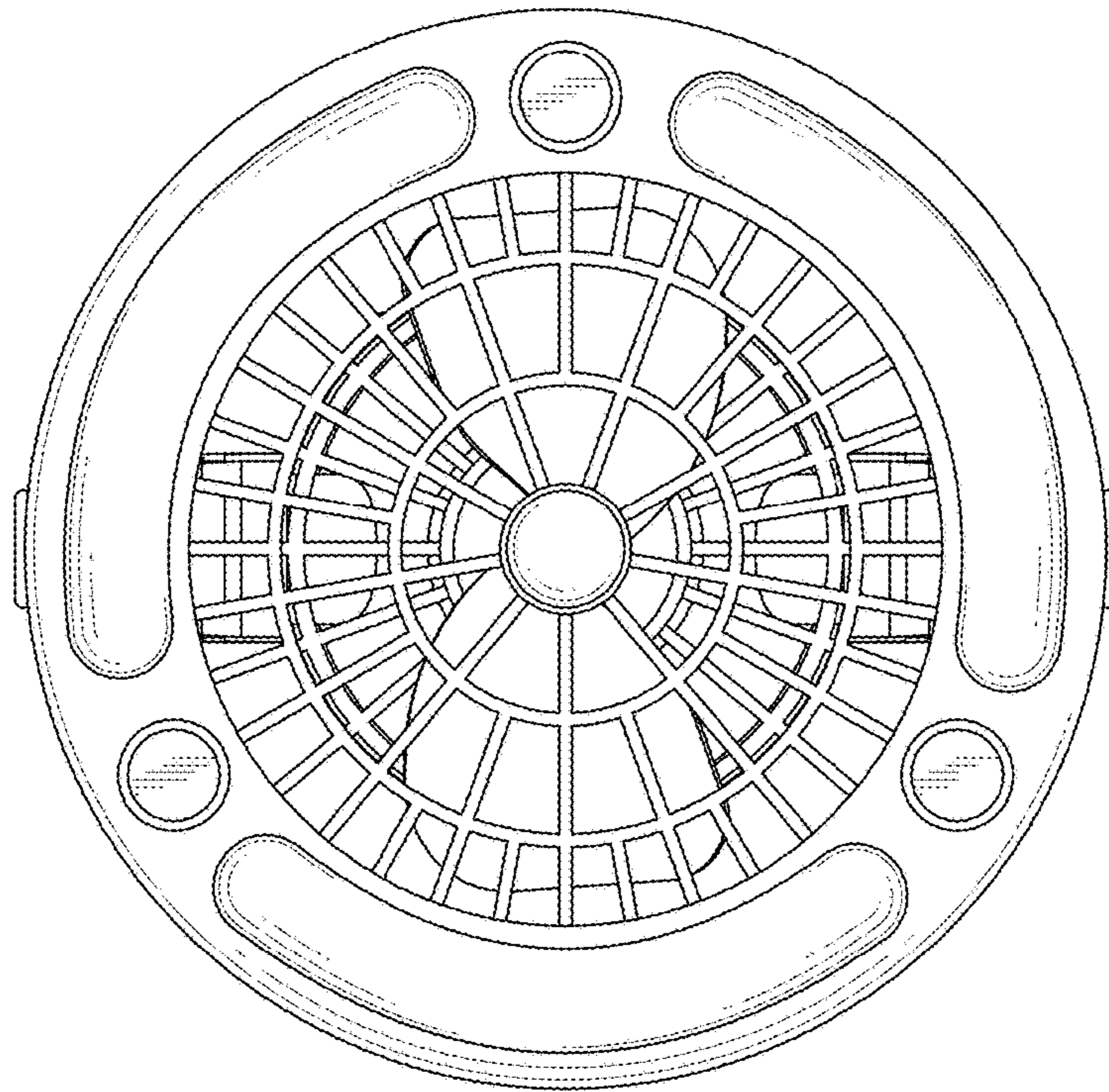


FIG. 7



US00D846728C1

(12) **EX PARTE REEXAMINATION CERTIFICATE** (12164th)
United States Patent
Wang

(10) **Number:** **US D846,728 C1**
(45) **Certificate Issued:** **Oct. 31, 2022**

(54) **LED CAMPING LANTERN WITH CEILING FAN**

(71) Applicant: **MAMBATE USA INC.**

(72) Inventor: **Kaihong Wang**, Guangdong (CN)

(73) Assignee: **Kaihong Wang**, Guangdong (CN)

Reexamination Request:

No. 90/014,783, Jun. 25, 2021

Reexamination Certificate for:

Patent No.: **Des. 846,728**
Issued: **Apr. 23, 2019**
Appl. No.: **29/581,600**
Filed: **Oct. 20, 2016**

(52) **U.S. Cl.**

USPC **D23/382**; D26/59; D26/40

(58) **Field of Classification Search**

USPC D3/20, 26, 304, 305, 307-311, 315,
D3/318-319, 321, 322

CPC .. A45C 3/00; A45C 3/001; A45C 3/04; A45C
7/00; A45C 7/0018; A45C 7/0059; B62B
5/00; B65D 29/00; B65D 37/00

See application file for complete search history.

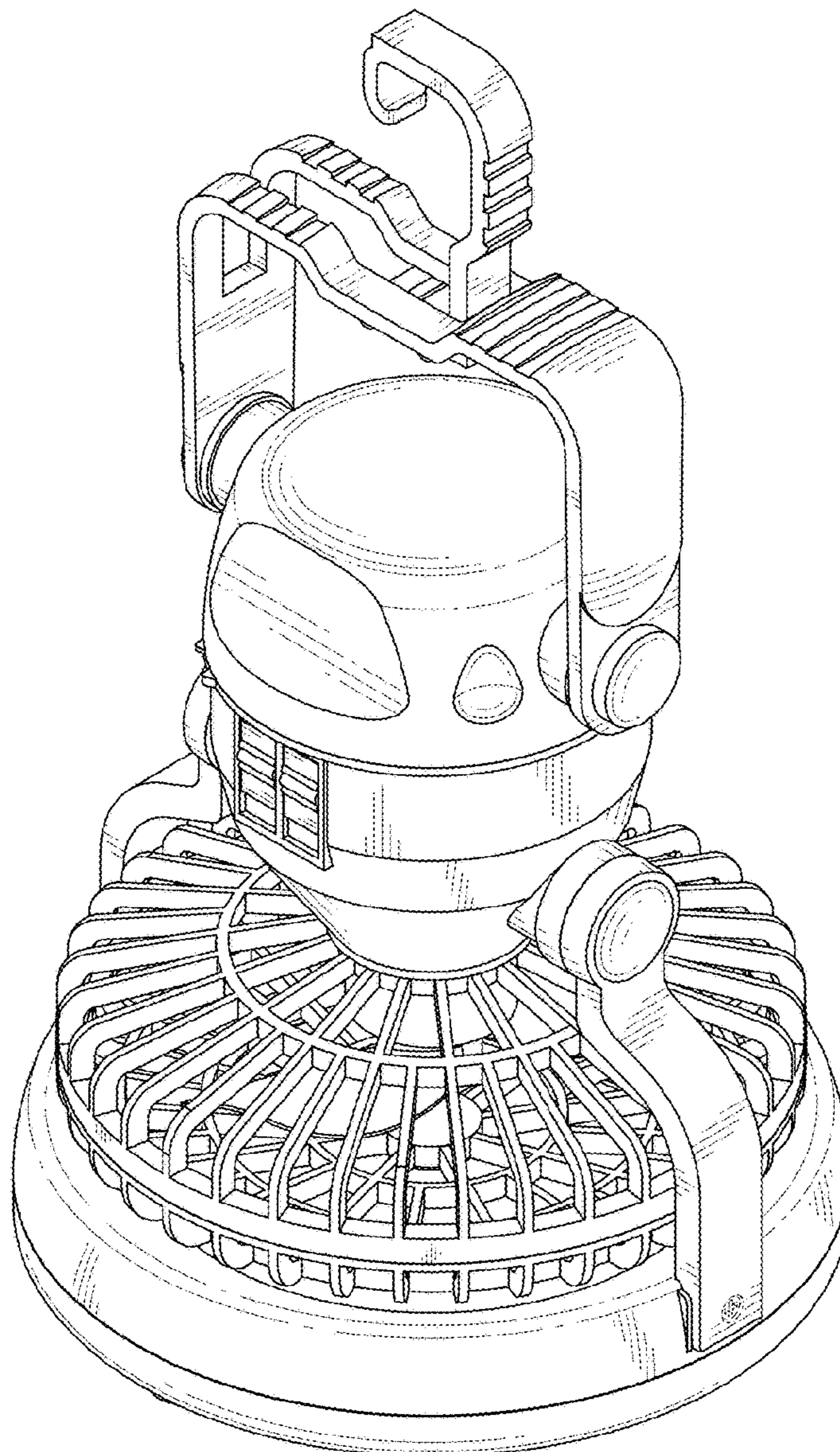
(56)

References Cited

To view the complete listing of prior art documents cited during the proceeding for Reexamination Control Number 90/014,783, please refer to the USPTO's Patent Electronic System.

(51) **LOC (13) Cl.** **03-01**

Primary Examiner — Darlington Ly



1
EX PARTE
REEXAMINATION CERTIFICATE

NO AMENDMENTS HAVE BEEN MADE TO 5
THE PATENT

AS A RESULT OF REEXAMINATION, IT HAS BEEN
DETERMINED THAT:

The claim 1 was previously cancelled. 10

* * * * *

(12) **INTER PARTES REVIEW CERTIFICATE** (2449th)

United States Patent
Wang

(10) **Number:** **US D846,728 K1**
(45) **Certificate Issued:** **Oct. 13, 2021**

(54) **LED CAMPING LANTERN WITH CEILING
FAN**

(71) Applicant: **MAMBATE USA INC.**

(72) Inventor: **Kaihong Wang**

(73) Assignee: **MAMBATE USA INC.**

Trial Number:

IPR2021-00007 filed Oct. 1, 2020

Inter Partes Review Certificate for:

Patent No.: **D846,728**
Issued: **Apr. 23, 2019**
Appl. No.: **29/581,600**
Filed: **Oct. 20, 2016**

The results of IPR2021-00007 are reflected in this inter partes review certificate under 35 U.S.C. 318(b).

INTER PARTES REVIEW CERTIFICATE
U.S. Patent D846,728 K1
Trial No. IPR2021-00007
Certificate Issued Oct. 13, 2021

1

2

AS A RESULT OF THE INTER PARTES
REVIEW PROCEEDING, IT HAS BEEN
DETERMINED THAT:

The claim is cancelled.

5

* * * * *