



US00D846727S

(12) **United States Design Patent** (10) **Patent No.:** **US D846,727 S**  
**Freeland et al.** (45) **Date of Patent:** **\*\* Apr. 23, 2019**

(54) **SPRAY BOTTLE FAN**  
(71) Applicants: **Brian Freeland**, Chandler, AZ (US);  
**Robert Vasquez**, Gilbert, AZ (US)  
(72) Inventors: **Brian Freeland**, Chandler, AZ (US);  
**Robert Vasquez**, Gilbert, AZ (US)  
(73) Assignee: **SHAWSHANK LEDZ INC.**, Gilbert,  
AZ (US)  
(\*\*) Term: **15 Years**

D674,706 S 1/2013 Birdwell et al.  
D703,308 S \* 4/2014 Peterson ..... D23/328  
D733,282 S \* 6/2015 Peterson ..... D23/328  
D735,051 S 7/2015 Conway et al.  
D741,184 S \* 10/2015 Herbst ..... D9/530  
D741,462 S 10/2015 Champ  
D744,351 S 12/2015 Hansen  
D758,197 S 6/2016 Herbst  
D770,022 S 10/2016 Breit et al.  
D773,630 S 12/2016 Breit et al.  
D807,993 S \* 1/2018 Breit ..... D23/328  
D820,430 S \* 6/2018 Breit ..... D23/379  
2016/0008827 A1\* 1/2016 Chan ..... B05B 3/022  
417/70

(21) Appl. No.: **29/606,542**  
(22) Filed: **Jun. 6, 2017**  
(51) **LOC (11) Cl.** ..... **23-04**  
(52) **U.S. Cl.**  
USPC ..... **D23/379**; D23/328  
(58) **Field of Classification Search**  
USPC ..... D23/370-379, 381-385, 411-414, 360,  
D23/335, 328, 332; D9/530, 685  
CPC . F04D 5/00; F04D 27/00; F04D 25/10; F04D  
19/00; F24H 3/04; B65D 71/00  
See application file for complete search history.

(56) **References Cited**  
**U.S. PATENT DOCUMENTS**  
D349,954 S 8/1994 Steiner et al.  
D386,572 S 11/1997 Radtke et al.  
D387,852 S 12/1997 Radtke et al.  
6,398,132 B1 \* 6/2002 Junkel ..... B05B 11/0037  
222/175  
7,143,958 B1 \* 12/2006 Dorney ..... B05B 3/022  
239/289  
D554,242 S 10/2007 Chen  
D565,720 S \* 4/2008 Chen ..... D23/379  
D583,677 S 12/2008 Harrison et al.  
7,775,848 B1 \* 8/2010 Auerbach ..... A23G 3/563  
446/73  
D668,551 S 10/2012 Kersten

**OTHER PUBLICATIONS**

US Trademark Serial No. 87531677; Mark—Fantastic Fan Filing date: Jul. 18, 2017.

(Continued)

*Primary Examiner* — Janice Hallmark  
(74) *Attorney, Agent, or Firm* — LegalForce RAPC Worldwide

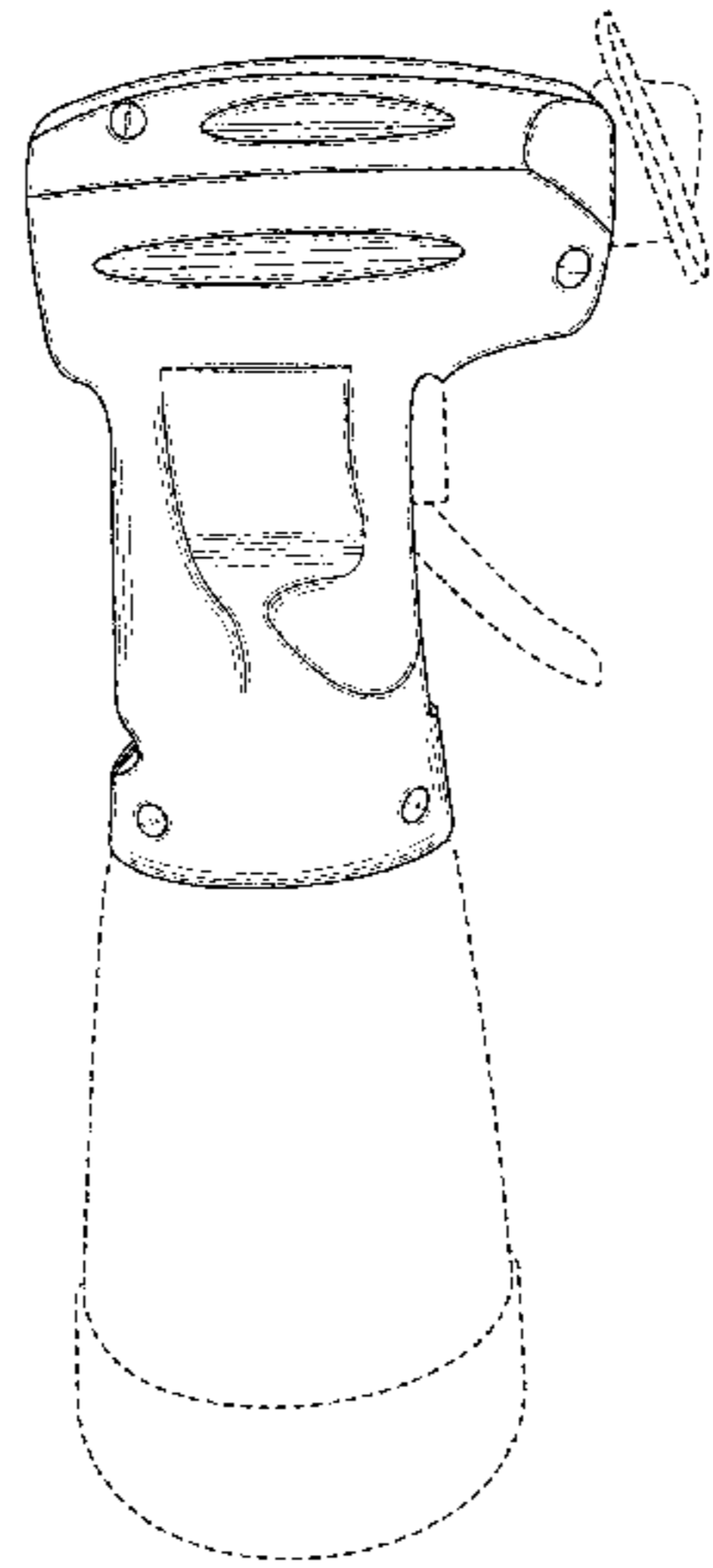
(57) **CLAIM**

The ornamental design for a spray bottle fan, as shown and described.

**DESCRIPTION**

FIG. 1 is a front elevational view for a spray bottle fan, showing our new design;  
FIG. 2 is a rear elevational view thereof;  
FIG. 3 is a left side elevational view thereof;  
FIG. 4 is a right side elevational view thereof;  
FIG. 5 is a top plan view thereof; and,  
FIG. 6 is a bottom perspective view thereof.  
In the drawing figures, the broken lines illustrate portions of the spray bottle fan that form no part of the claimed design.

**1 Claim, 6 Drawing Sheets**



(56)

**References Cited**

OTHER PUBLICATIONS

“Portable Handheld Mini Water Mist Fan with Spray Bottle”, by Green Light, Found Online [Oct. 16, 2017]. [https://sc01.alicdn.com/kf/HTB1vF\\_uHXXXXXboaXXXq6xXFXXXo/221281917/HTB1vF\\_uHXXXXXboaXXXq6xXFXXXo.jpg](https://sc01.alicdn.com/kf/HTB1vF_uHXXXXXboaXXXq6xXFXXXo/221281917/HTB1vF_uHXXXXXboaXXXq6xXFXXXo.jpg).

“Marvel Girls Misting Fan”, by O2COOL, Found Online [Oct. 16, 2017] <https://www.o2-cool.com/filebin/images/products/FMC0019.jpg>.

“Squeeze Breeze Water Misting Fan”, by O2COOL, Found Online [Oct. 16, 2017] <https://images-na.ssl-images-amazon.com/images/I/41ia3OL%2BnWL.jpg>.

\* cited by examiner

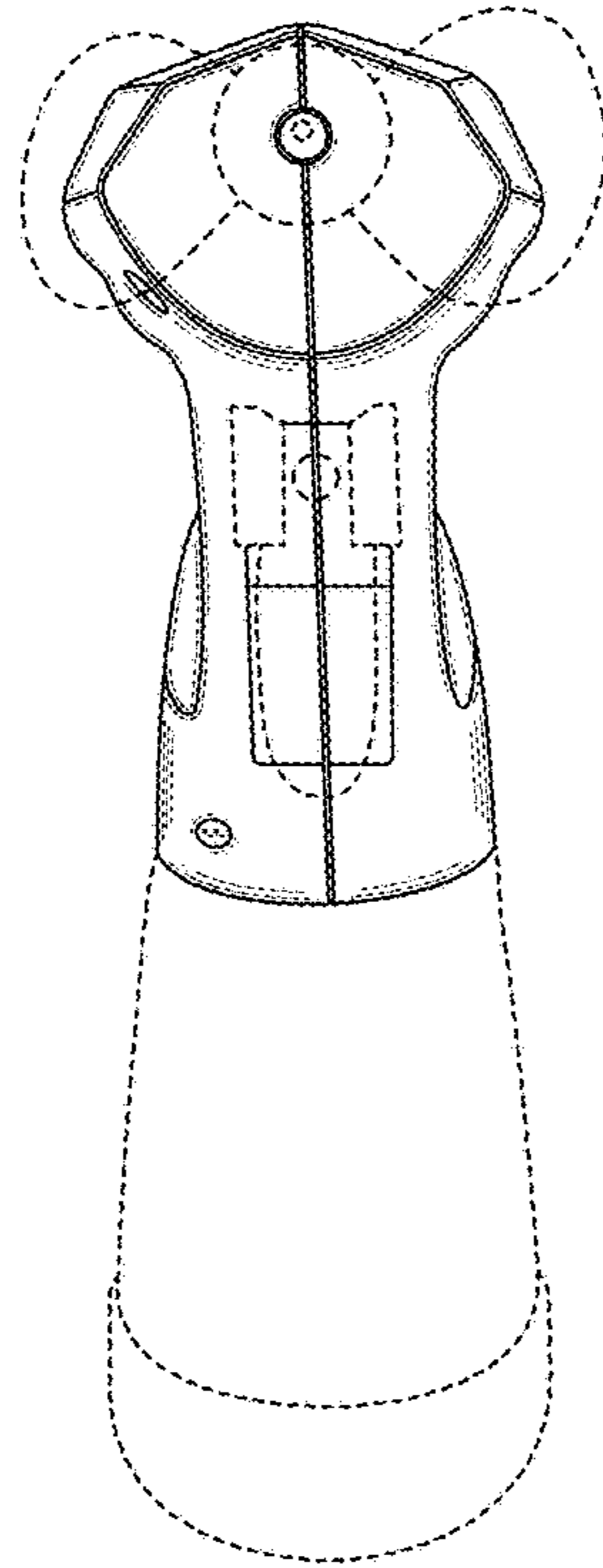


FIG. 1

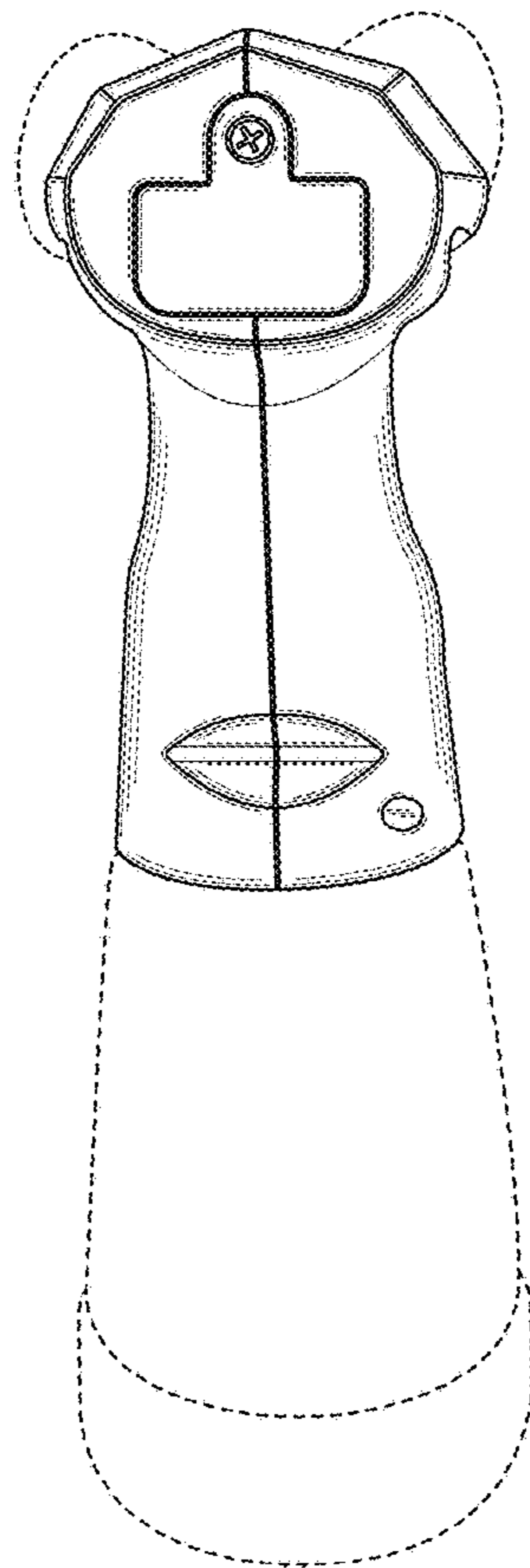


FIG. 2

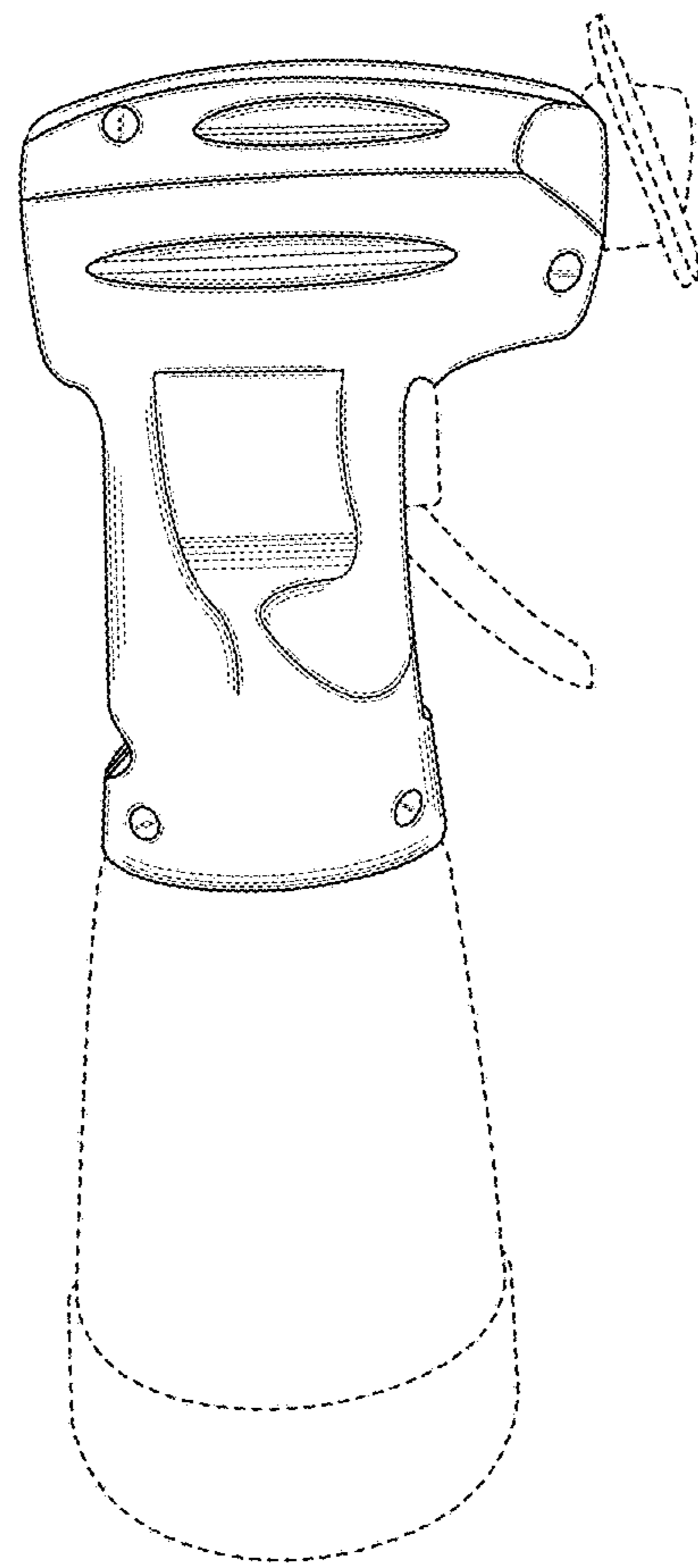


FIG. 3

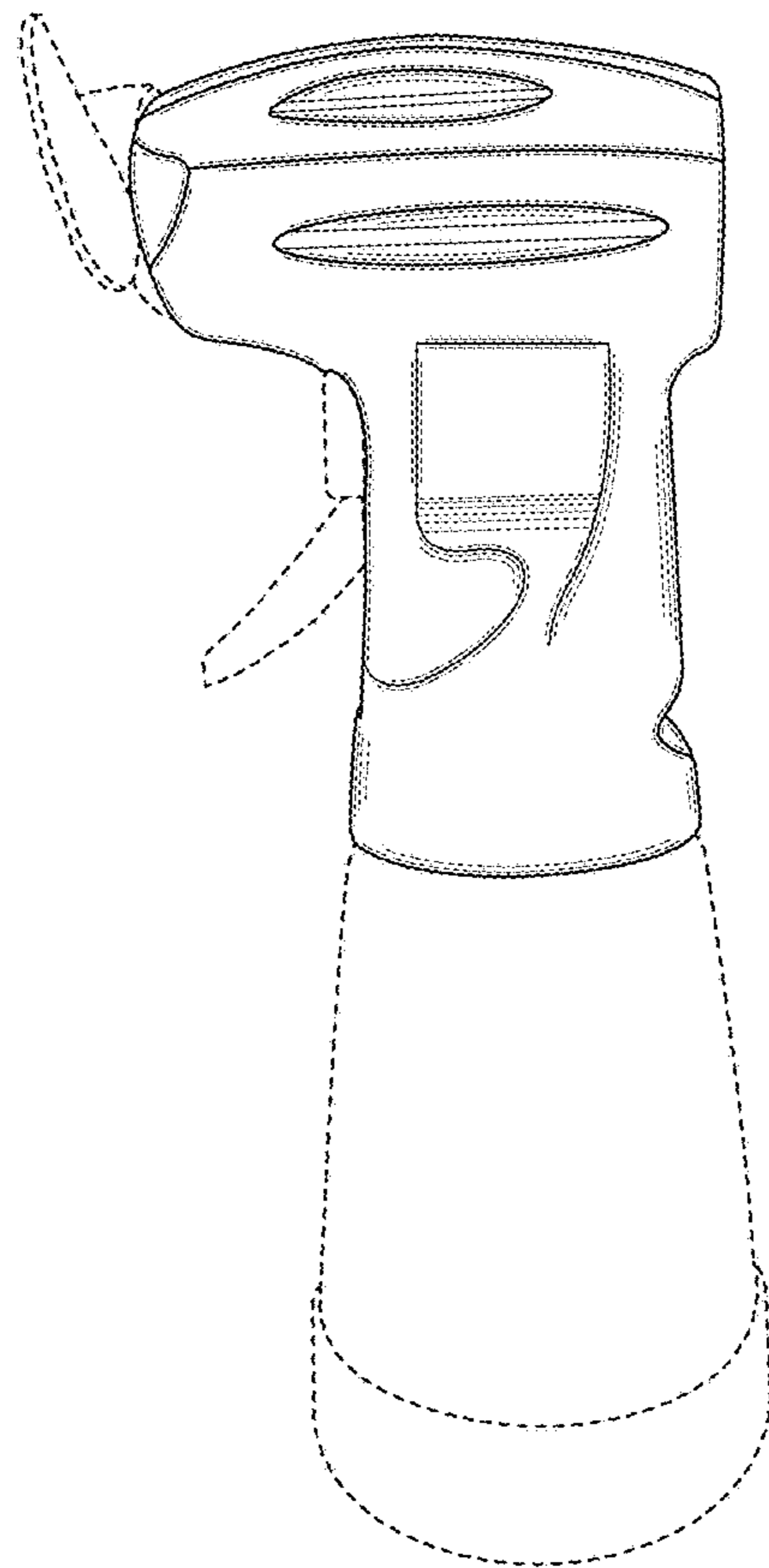


FIG. 4

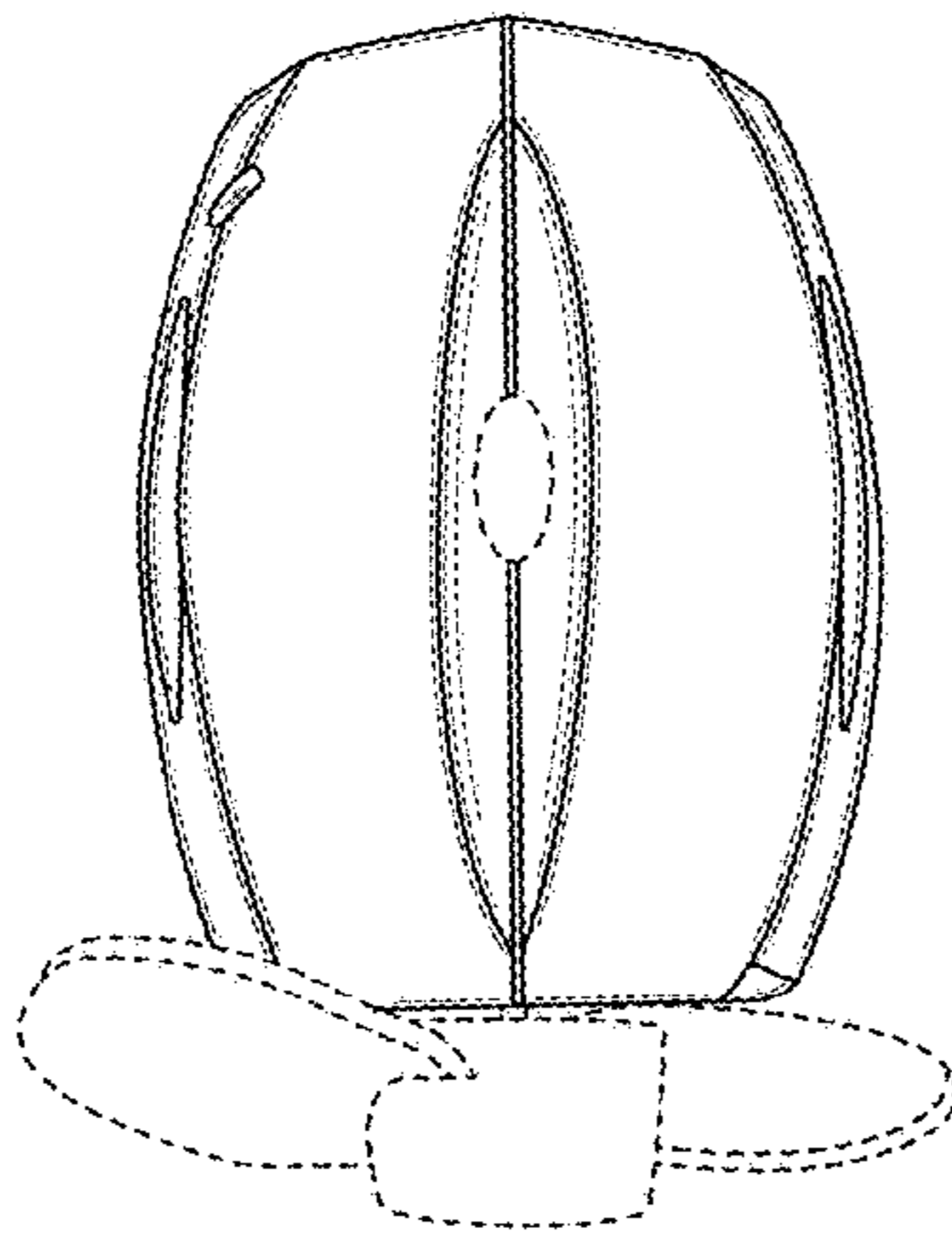


FIG. 5

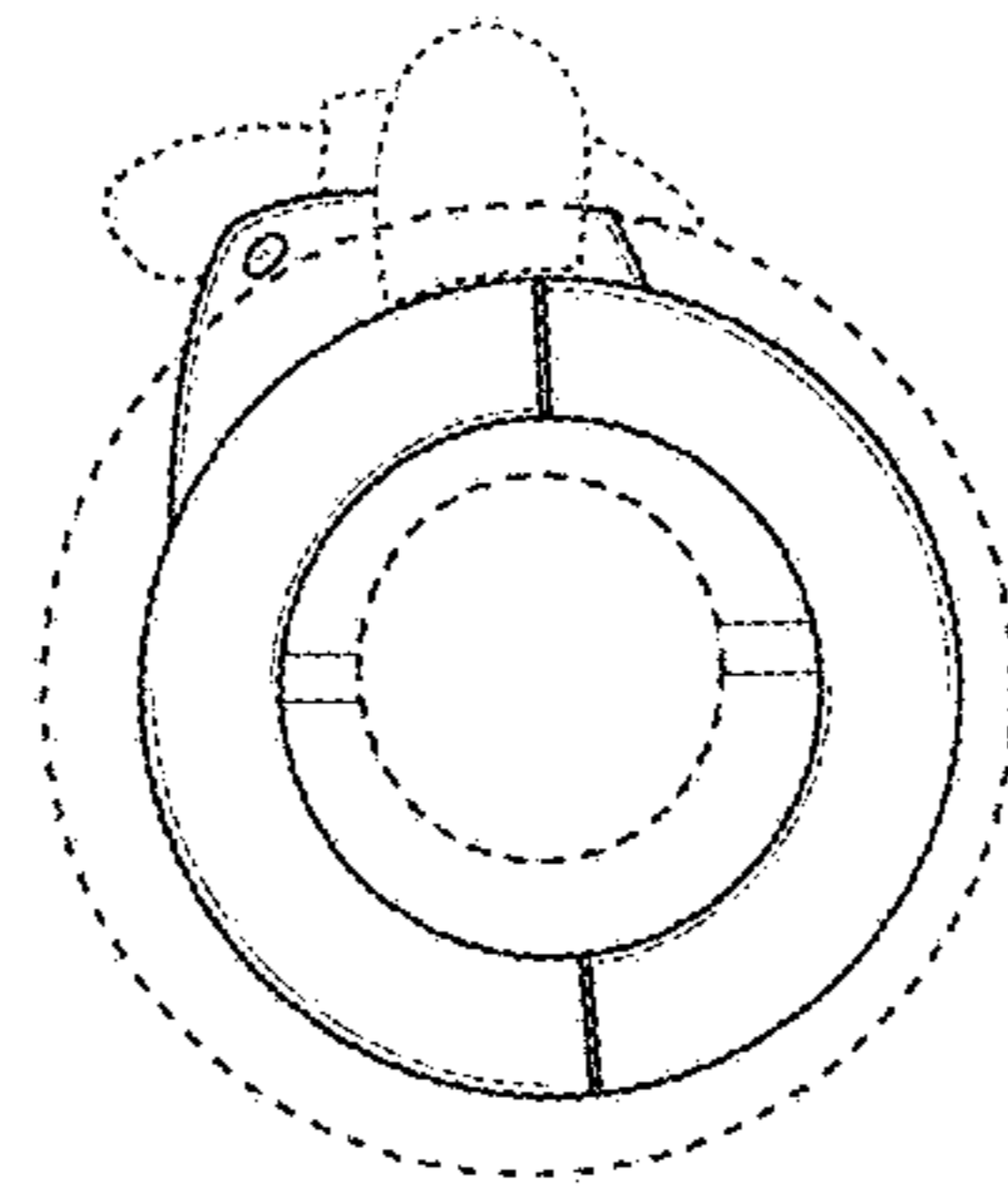


FIG. 6