



US00D846723S

(12) **United States Design Patent** (10) **Patent No.:** **US D846,723 S**
Peach et al. (45) **Date of Patent:** **** Apr. 23, 2019**

- (54) **AIR TREATMENT DEVICE** D673,252 S * 12/2012 Abbondanzio D23/366
- (71) Applicant: **Reckitt Benckiser (Brands) Limited,** D680,637 S * 4/2013 Blachford D23/366
Slough, Berkshire (GB) D681,182 S * 4/2013 Tomas Vilarasa D23/366
- (72) Inventors: **Thomas Peach,** Warwick (GB); **David** D681,183 S * 4/2013 Blachford D23/366
Sanders, Warwick (GB) D713,517 S * 9/2014 Dodge D23/366
- (73) Assignee: **RECKITT BENCKISER (BRANDS)** D724,192 S * 3/2015 Mecker D23/366
LIMITED, Slough, Berkshire (GB) D750,210 S * 2/2016 Sayers D23/366

(**) Term: **15 Years**

(21) Appl. No.: **29/604,565**

(22) Filed: **May 18, 2017**

(30) **Foreign Application Priority Data**

May 8, 2017 (EP) 003990597-0001

May 8, 2017 (EP) 003990597-0002

(51) **LOC (11) Cl.** **28-99**

(52) **U.S. Cl.**
USPC **D23/366**

(58) **Field of Classification Search**
USPC D23/355-369, 352, 332, 333, 335, 336,
D23/342, 351; 422/120, 122; 55/356,
55/473, 504; 96/97; 261/DIG. 17,
261/DIG. 65, DIG. 88, DIG. 31, DIG. 42,
261/DIG. 47, DIG. 55, DIG. 70, DIG. 89;
D28/5, 6; 392/394, 395; 239/34, 44, 53
CPC A61L 9/16; A61L 9/22; A61L 9/02; A61L
9/037; A61L 9/03; A61L 9/12; A61L
9/127; F24F 3/16; F24F 3/20; F24F
13/28; F24F 2001/0096; F24F 3/1405;
F24F 3/1603; B01D 47/00; B01D 47/027;
B01D 2221/02; B01D 2259/4508; B03C
3/155; B03C 3/368

See application file for complete search history.

(56) **References Cited**

U.S. PATENT DOCUMENTS

- D672,858 S * 12/2012 Abbondanzio D23/366
- D672,860 S * 12/2012 Blachford D23/366

OTHER PUBLICATIONS

Office supply hut website, Lysol Neutra Air Treatment Kit, Dec. 5, 2014, http://www.officesupplyhut.com/Products/Lysol-Neutra-Air-Treatment-Kit_RAC79830.aspx (Year: 2014).*

* cited by examiner

Primary Examiner — David G Muller

Assistant Examiner — Nathan M Johnston

(74) *Attorney, Agent, or Firm* — Norris McLaughlin, PA

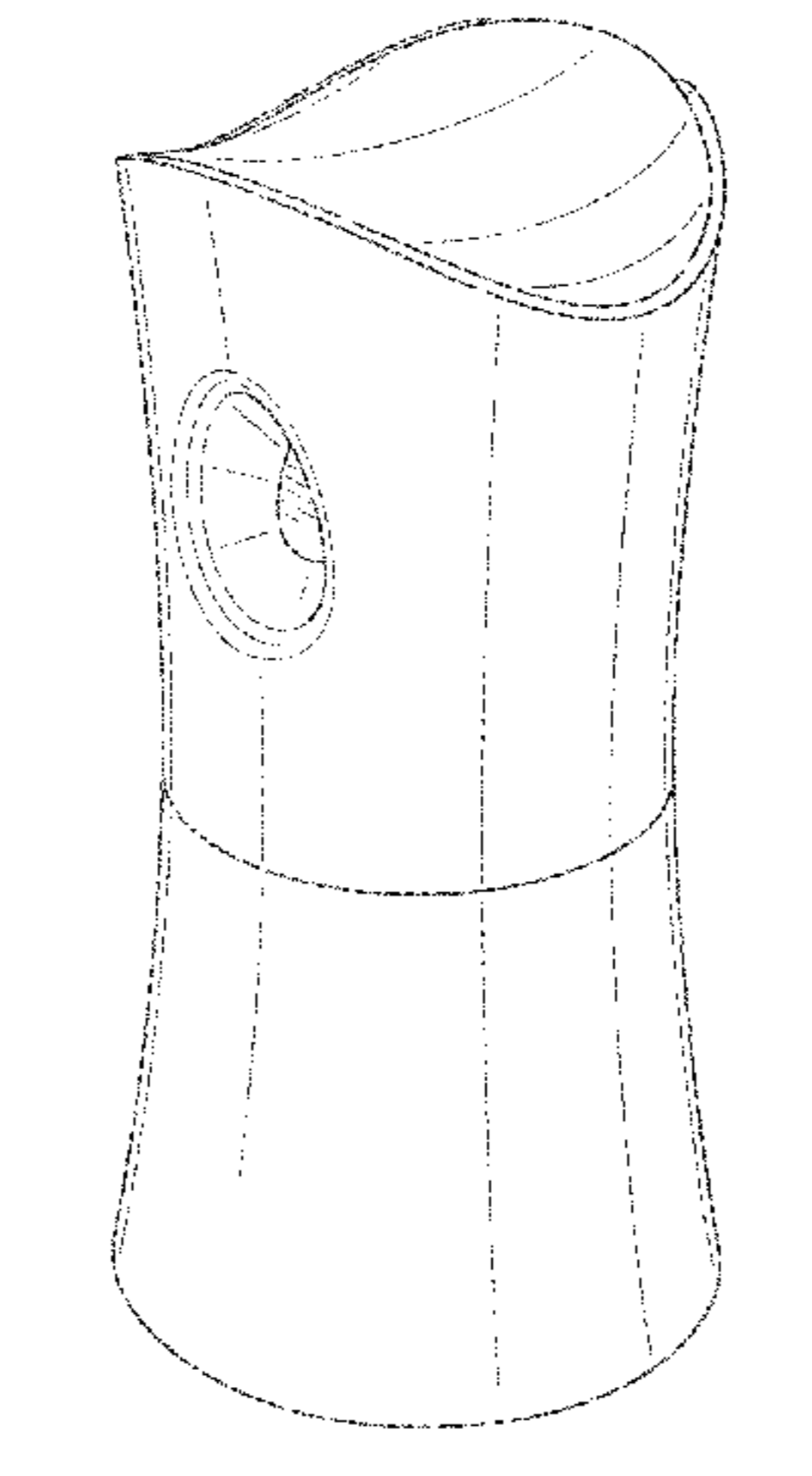
(57) **CLAIM**

The ornamental design for an air treatment device, as shown and described.

DESCRIPTION

FIG. 1 is a front perspective view of an air treatment device showing our new design;
FIG. 2 is a front elevation view thereof;
FIG. 3 is a rear elevation view thereof;
FIG. 4 is a first side elevation view thereof;
FIG. 5 is a second side elevation view thereof;
FIG. 6 is a top plan view thereof; and,
FIG. 7 is a bottom plan view thereof.
The portions of the design depicted in broken lines form no part of the claimed invention.

1 Claim, 6 Drawing Sheets



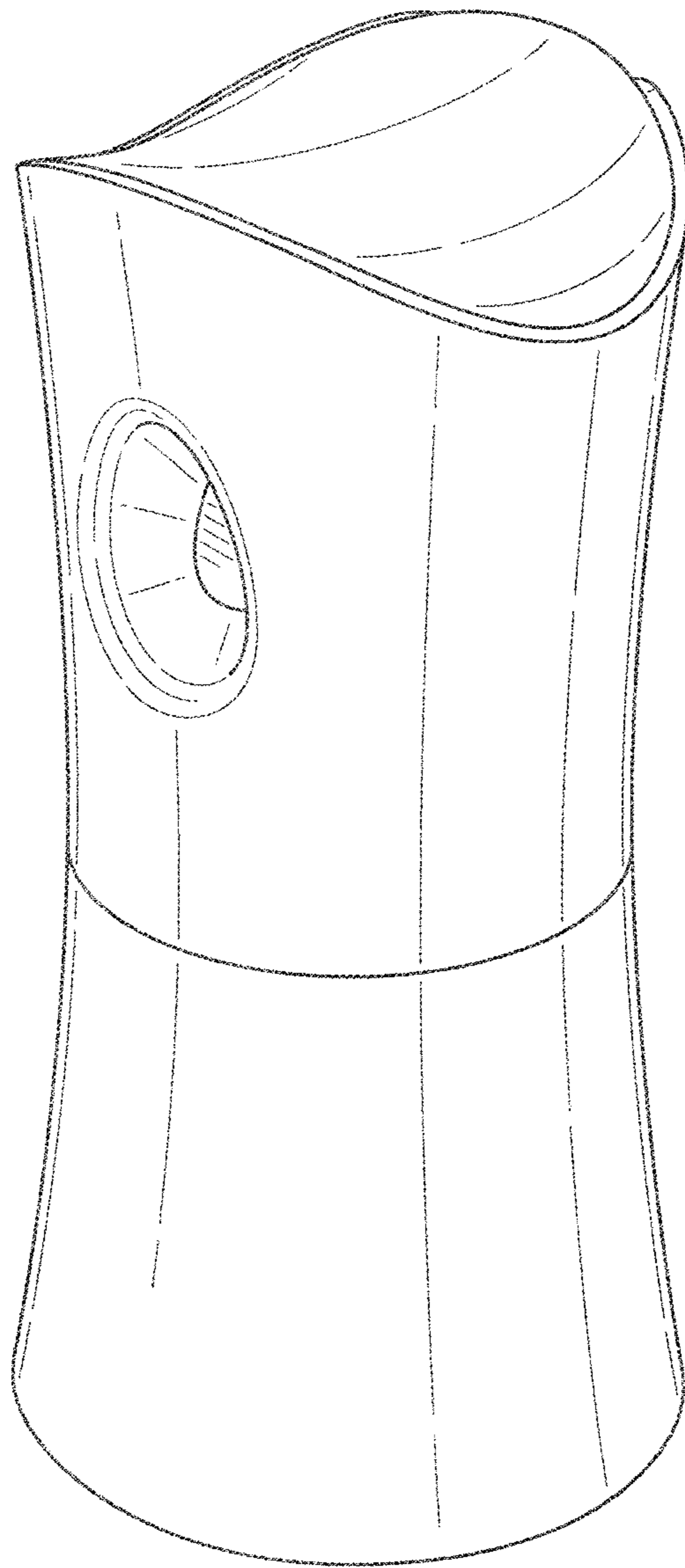


Fig. 1

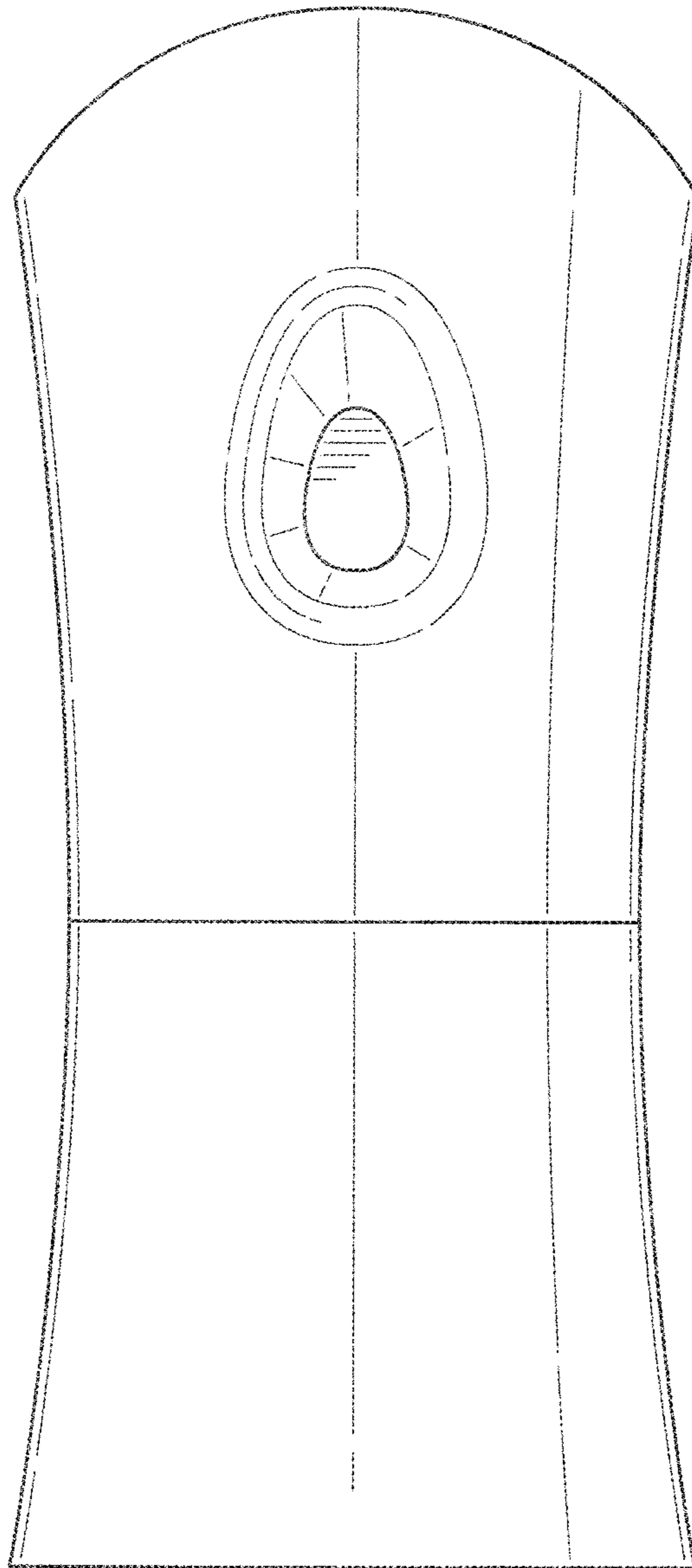


Fig. 2

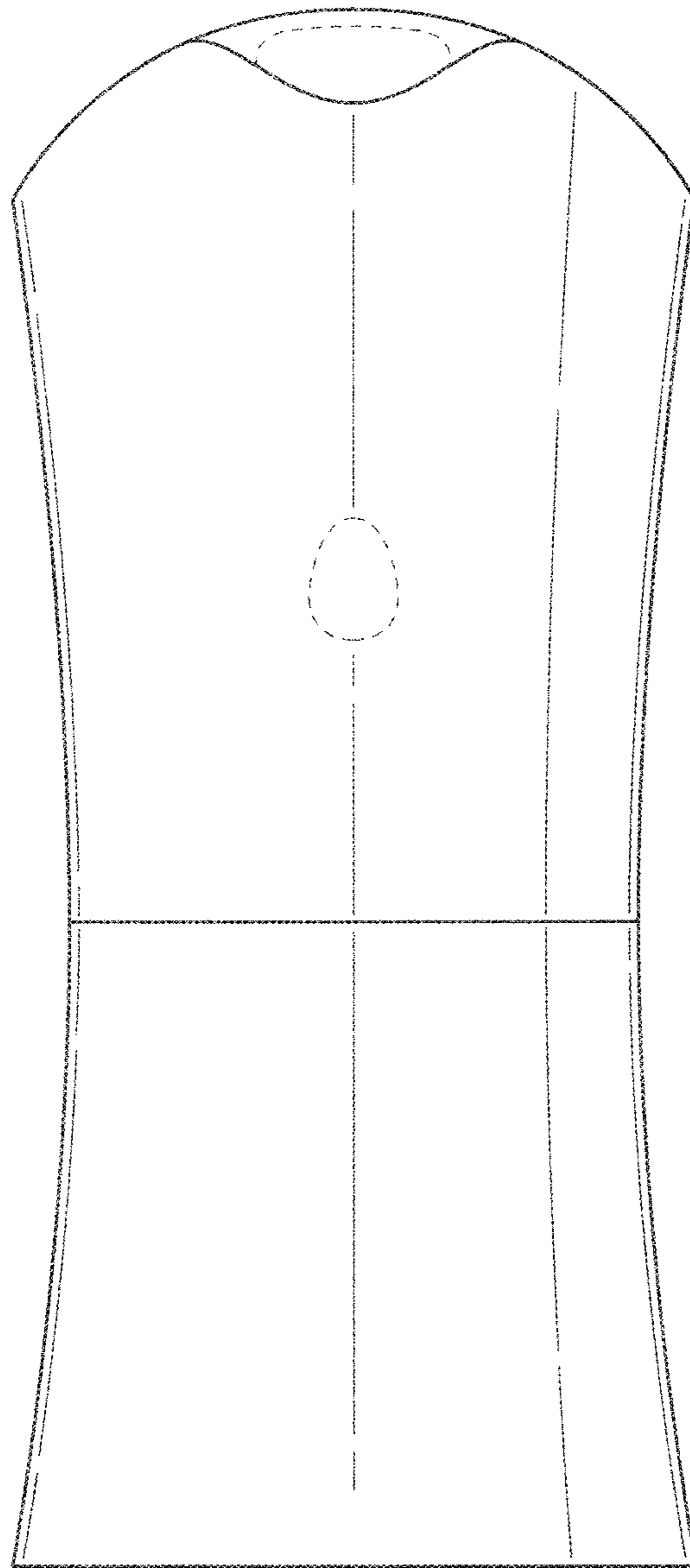


Fig. 3

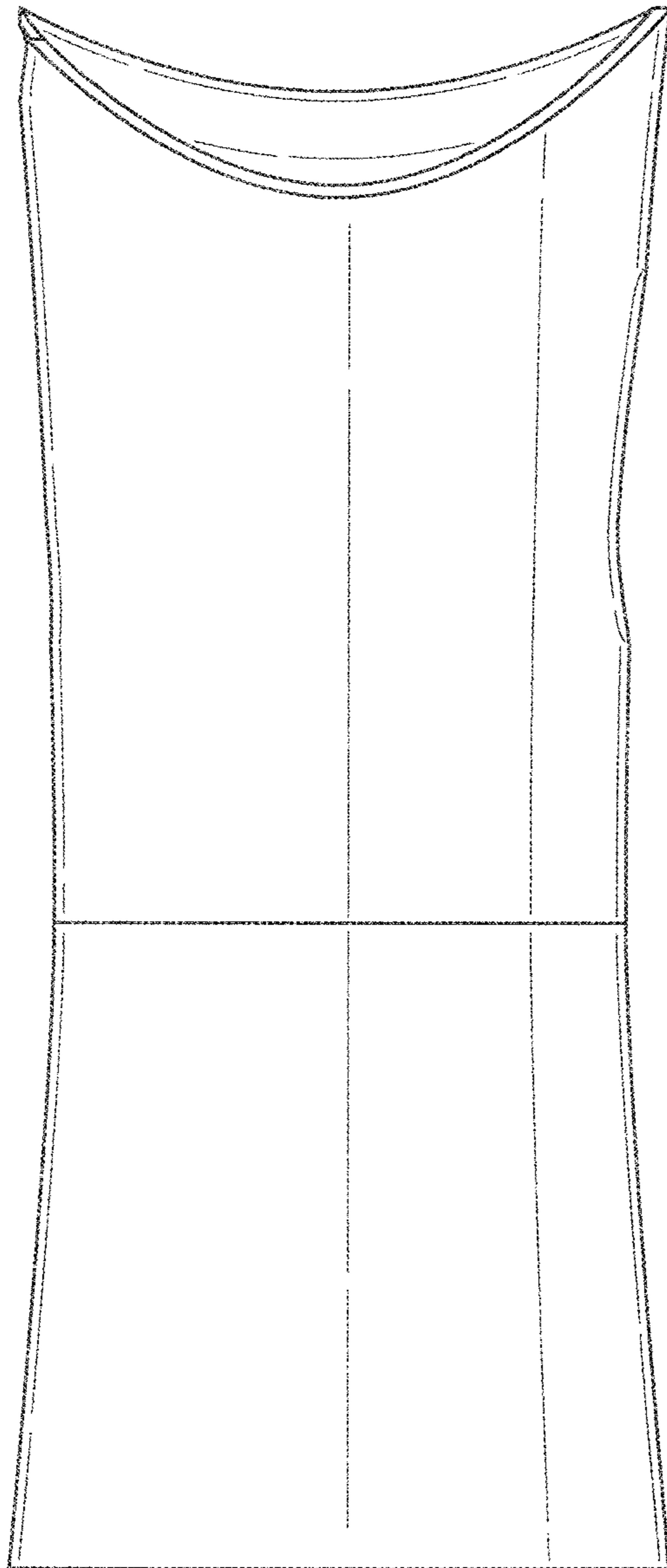


Fig. 4

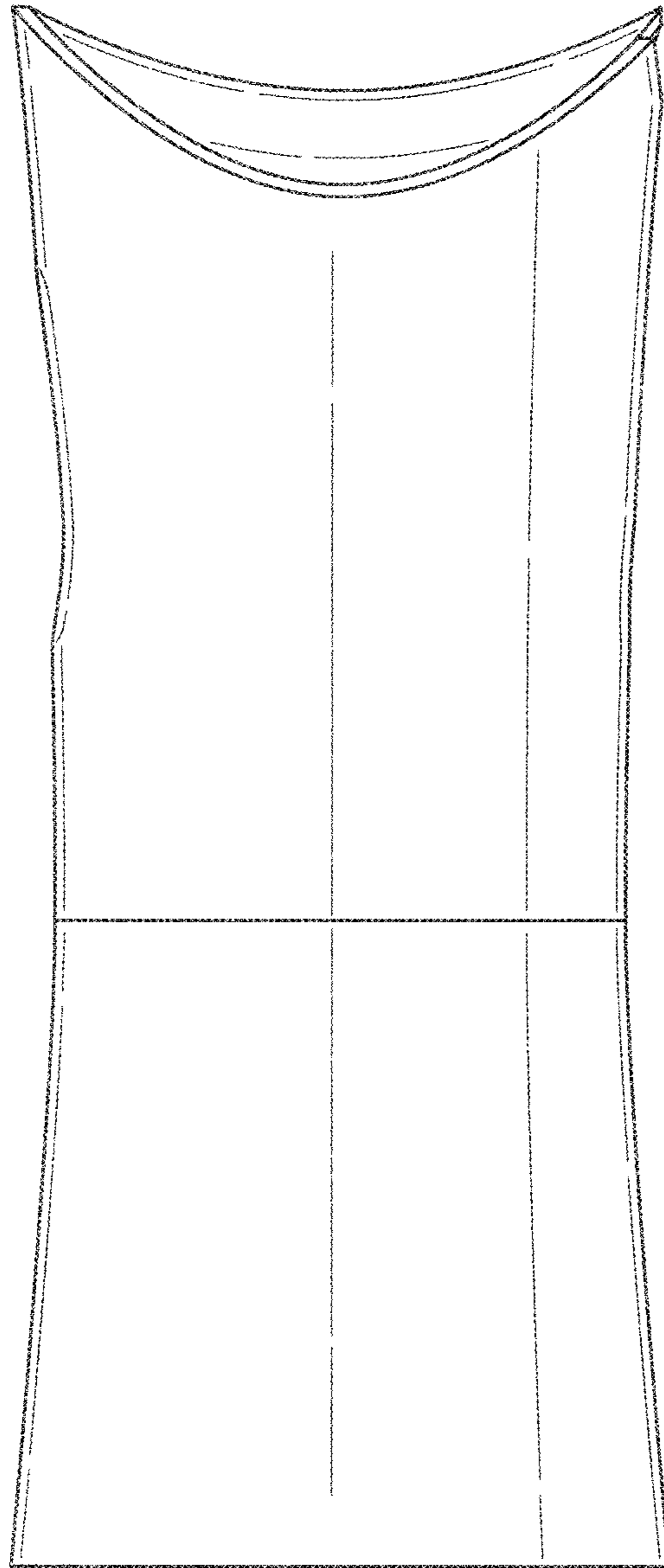


Fig. 5

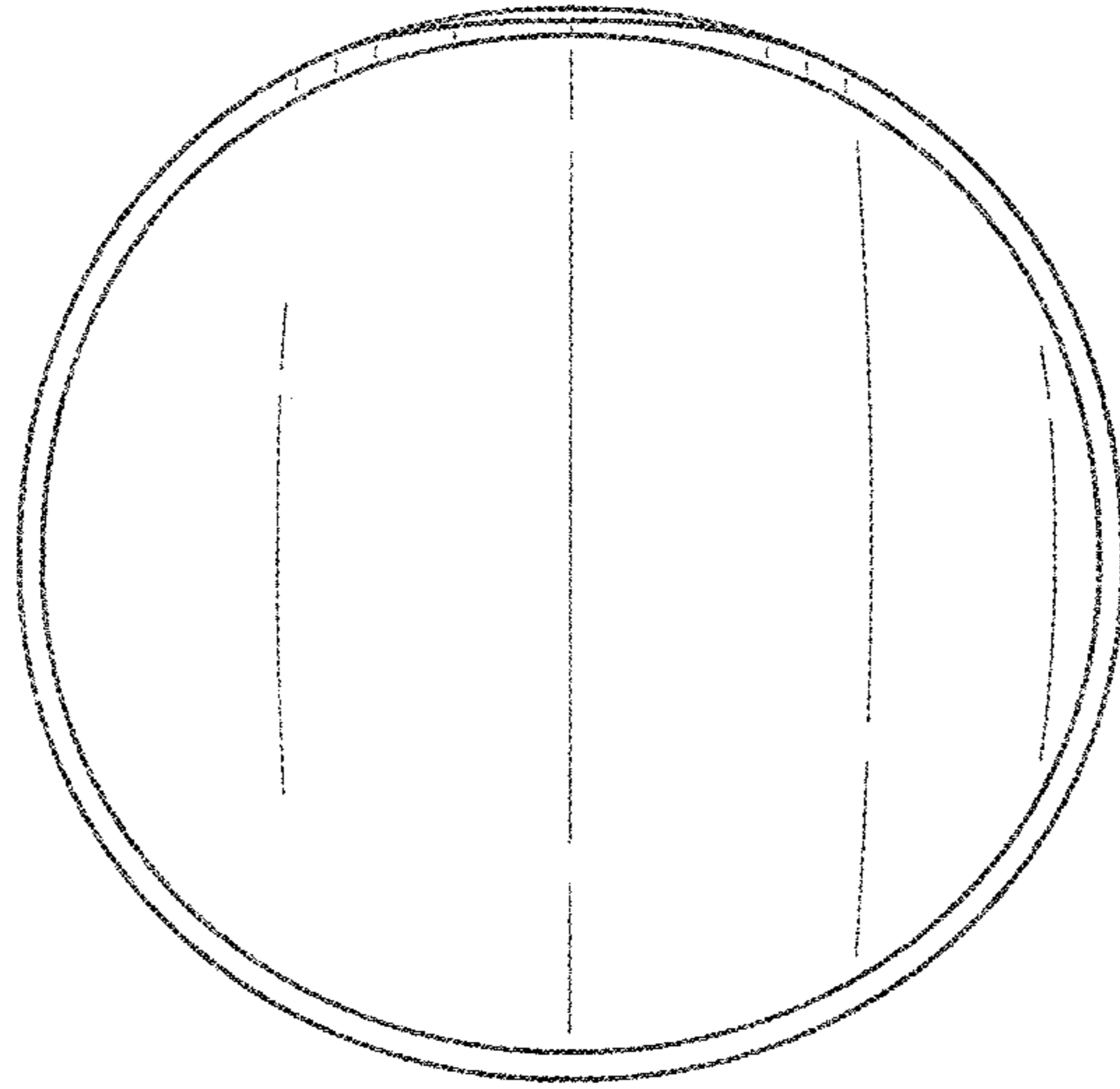


Fig. 6

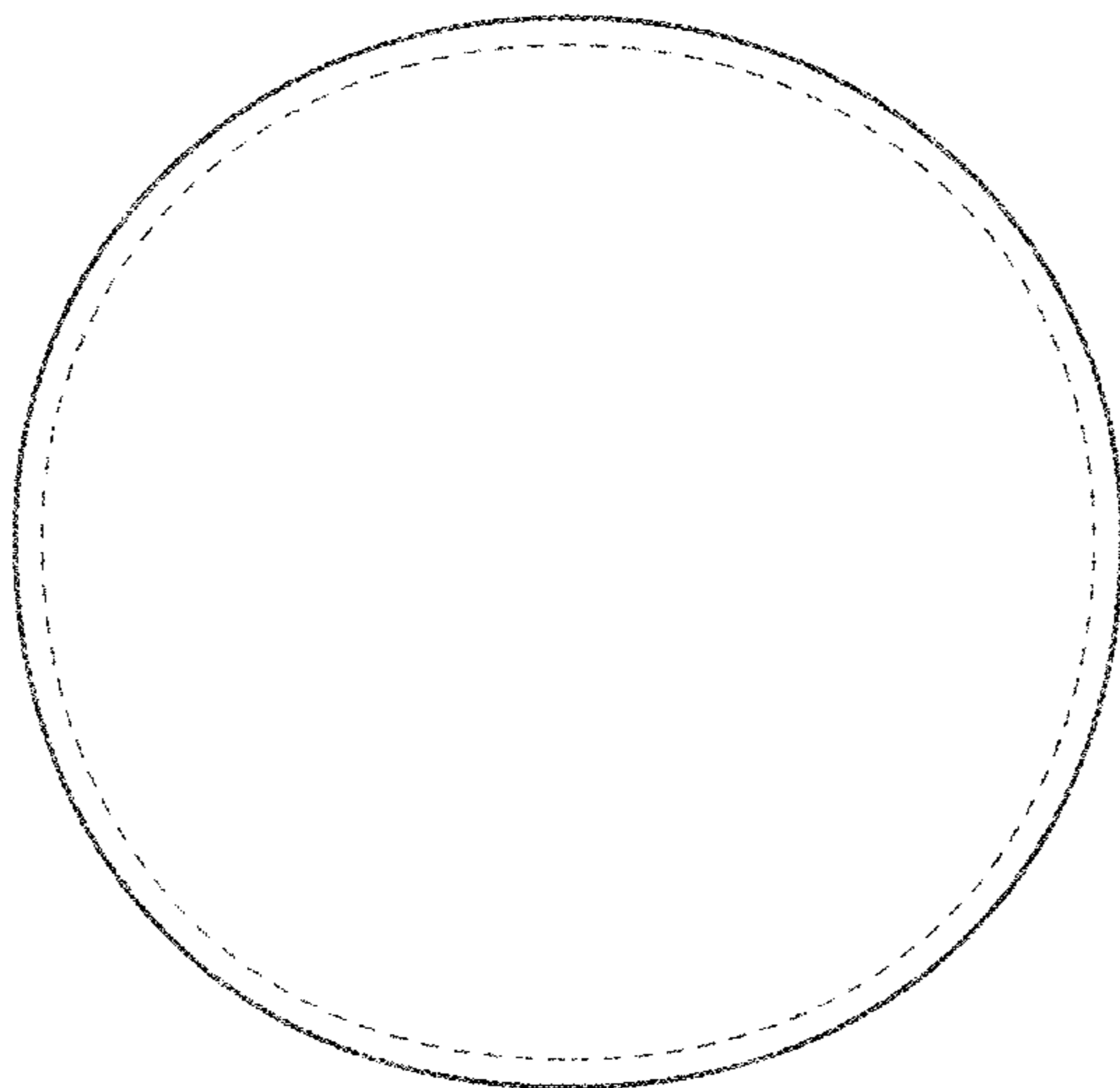


Fig. 7