



US00D846722S

(12) **United States Design Patent** (10) **Patent No.:** **US D846,722 S**
Mu et al. (45) **Date of Patent:** **** Apr. 23, 2019**

(54) **AIR CONDITIONER**

(56) **References Cited**

(71) Applicant: **GREE ELECTRIC APPLIANCES, INC. OF ZHUHAI**, Guangdong (CN)
(72) Inventors: **Ke Mu**, Guangdong (CN); **Luan Qin**, Guangdong (CN); **Jingjing Wang**, Guangdong (CN); **Huanlong Wu**, Guangdong (CN); **Huihui Wang**, Guangdong (CN); **Sha Li**, Guangdong (CN); **Caihua Peng**, Guangdong (CN); **Zhaigu Fu**, Guangdong (CN)

U.S. PATENT DOCUMENTS

D685,072 S	*	6/2013	Li	D23/351
D690,679 S	*	10/2013	Chang	D14/204
D706,914 S	*	6/2014	Chen	D23/351
D735,308 S	*	7/2015	Chen	D23/351
D764,645 S	*	8/2016	Lee	D23/351
D764,646 S	*	8/2016	Miyazaki	D23/351
D766,412 S	*	9/2016	Lee	D23/351
D774,632 S	*	12/2016	Park	D23/351
D827,798 S	*	9/2018	Guan	D23/351

* cited by examiner

(73) Assignee: **Gree Electric Appliances, Inc. of Zhuhai**, Guangdong (CN)

Primary Examiner — Keli L Hill

(**) Term: **15 Years**

(74) *Attorney, Agent, or Firm* — The Webb Law Firm

(21) Appl. No.: **35/503,049**

(57) **CLAIM**

(22) Filed: **May 4, 2017**

The ornamental design for an air conditioner, as shown and described.

(80) **Hague Agreement Data**

Int. Filing Date: **May 4, 2017**
Int. Reg. No.: **DM/095980**
Int. Reg. Date: **May 4, 2017**
Int. Reg. Pub. Date: **May 26, 2017**

DESCRIPTION

(30) **Foreign Application Priority Data**

Nov. 10, 2016 (CN) 2016 3 0546936
Jan. 19, 2017 (CN) 2017 3 0021634

(51) **LOC (11) Cl.** **23-04**

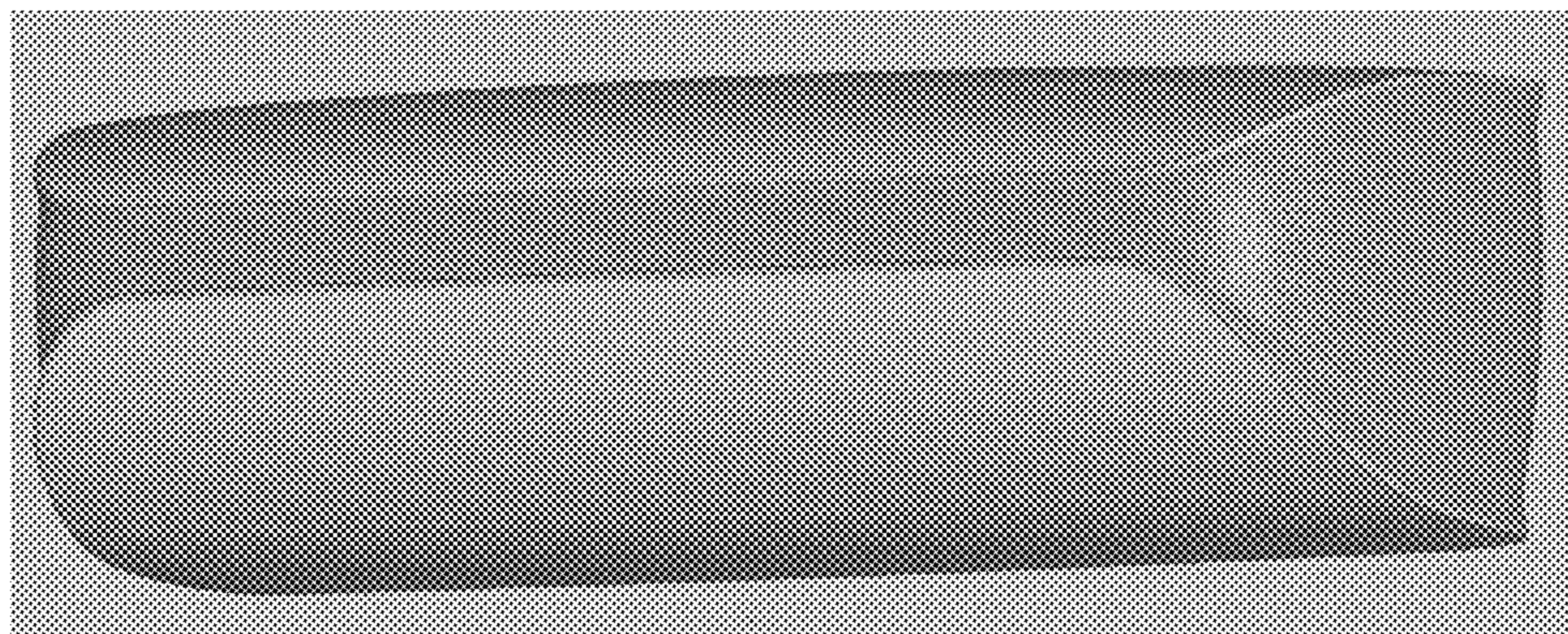
(52) **U.S. Cl.**
USPC **D23/351**

(58) **Field of Classification Search**
USPC D23/325, 333, 335, 341, 351, 354, 386,
D23/387, 390, 391, 393; 137/599.03;
62/115, 323.2, 323.3
CPC F25B 27/00; F25B 27/02; F25B 49/02;
F25B 49/022; F24F 7/00; F24F 7/06;
F24F 13/10; F24F 13/20

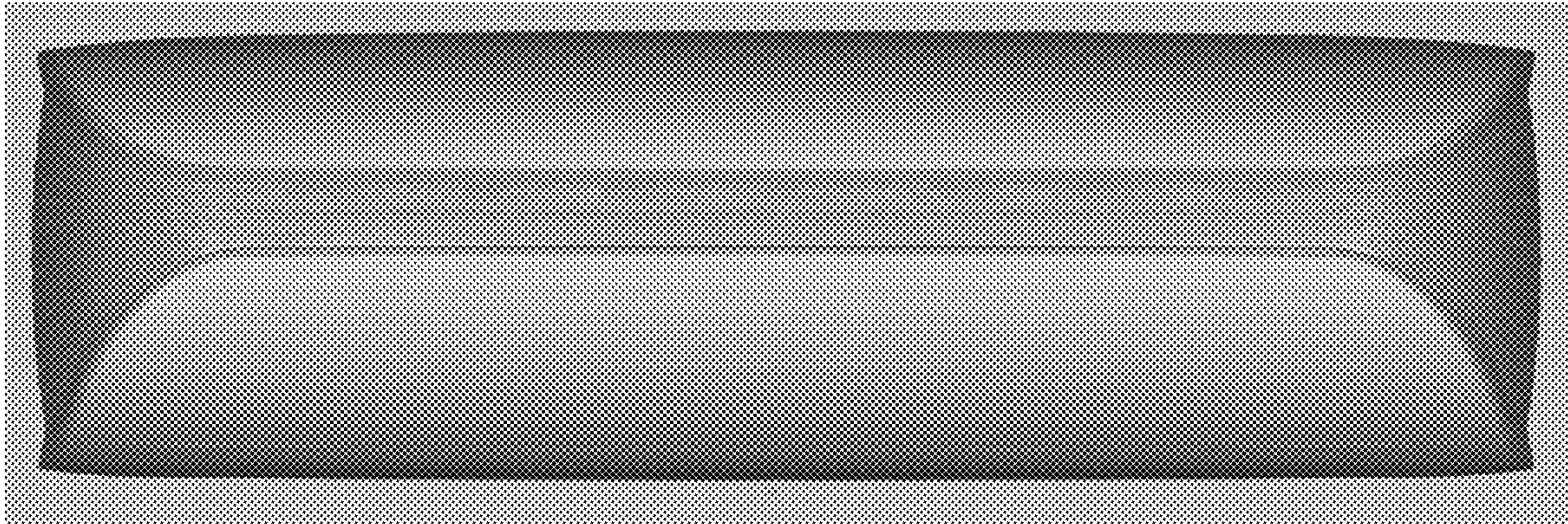
See application file for complete search history.

1.1 is a front elevation view of an air conditioner, showing our new design in accordance with an embodiment of the present invention;
1.2 is a left side elevation view thereof;
1.3 is a right side elevation view thereof;
1.4 is a top view thereof;
1.5 is a bottom view thereof;
1.6 is a lower front perspective view thereof;
2.1 is a front elevation view of an air conditioner, showing our new design in accordance with an embodiment of the present invention;
2.2 is a left side elevation view thereof;
2.3 is a right side elevation view thereof;
2.4 is a top view thereof;
2.5 is a bottom view thereof; and
2.6 is an upper front perspective view thereof.

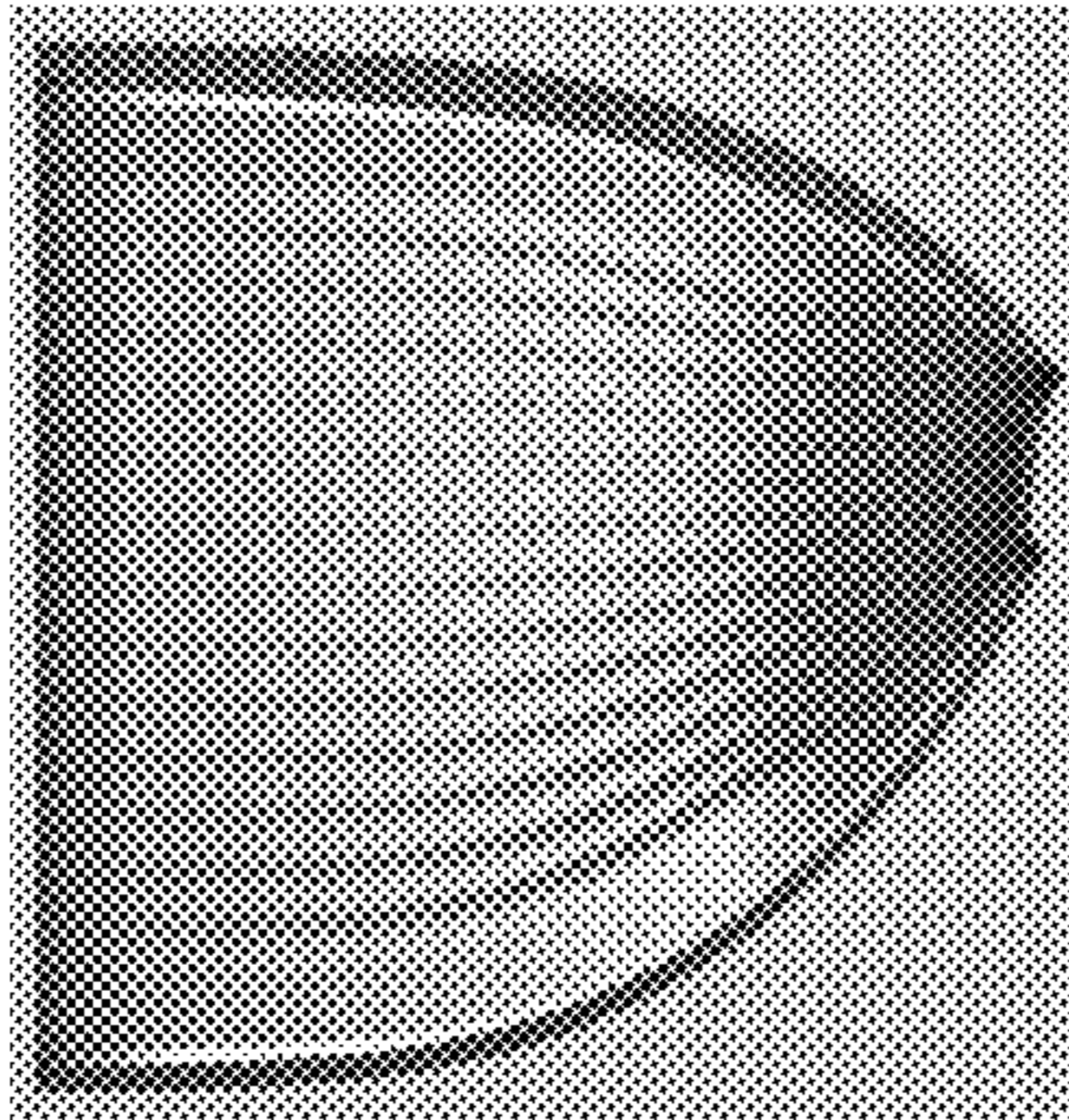
1 Claim, 12 Drawing Sheets



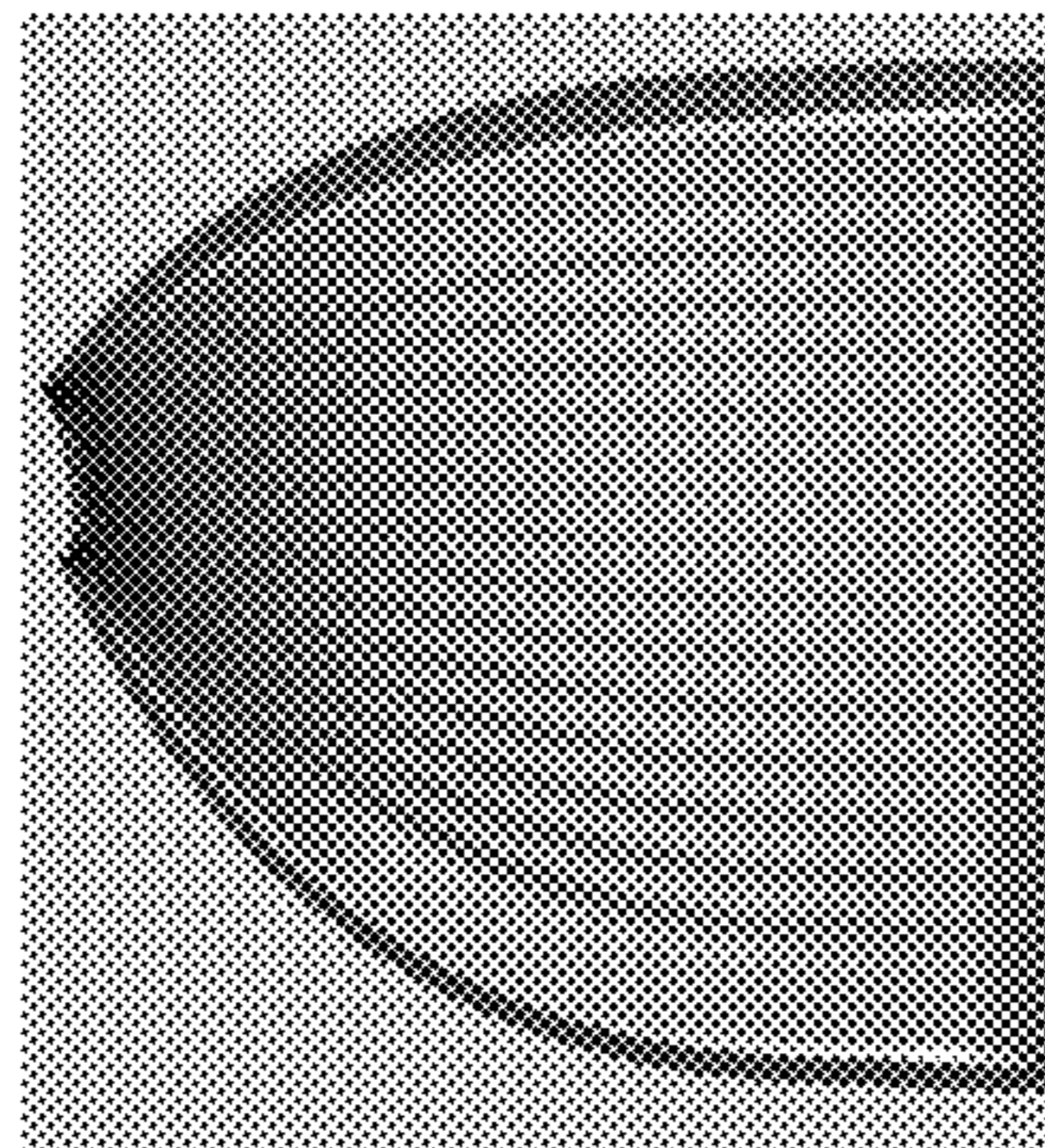
1.1



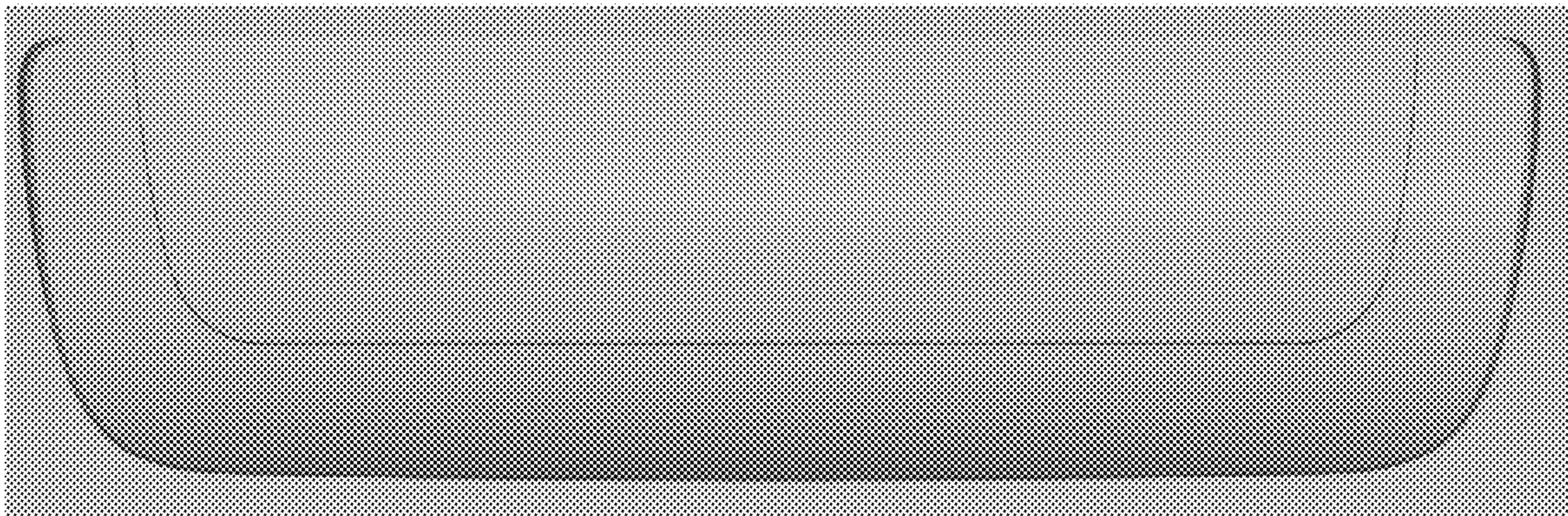
1.2



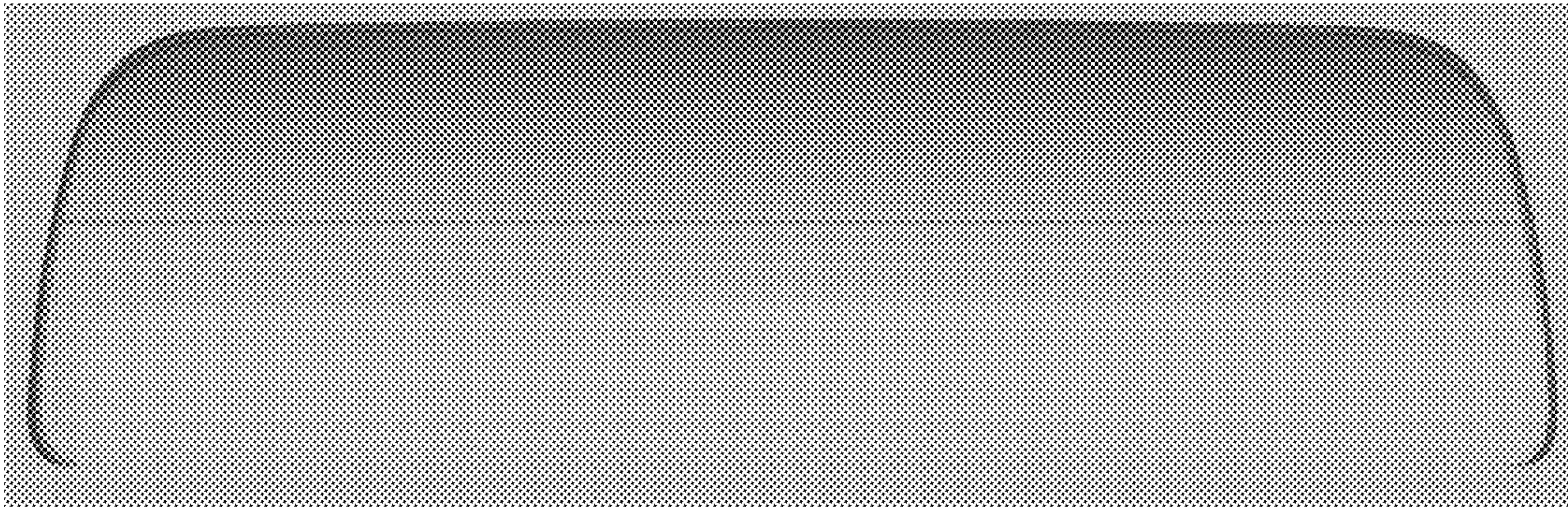
1.3



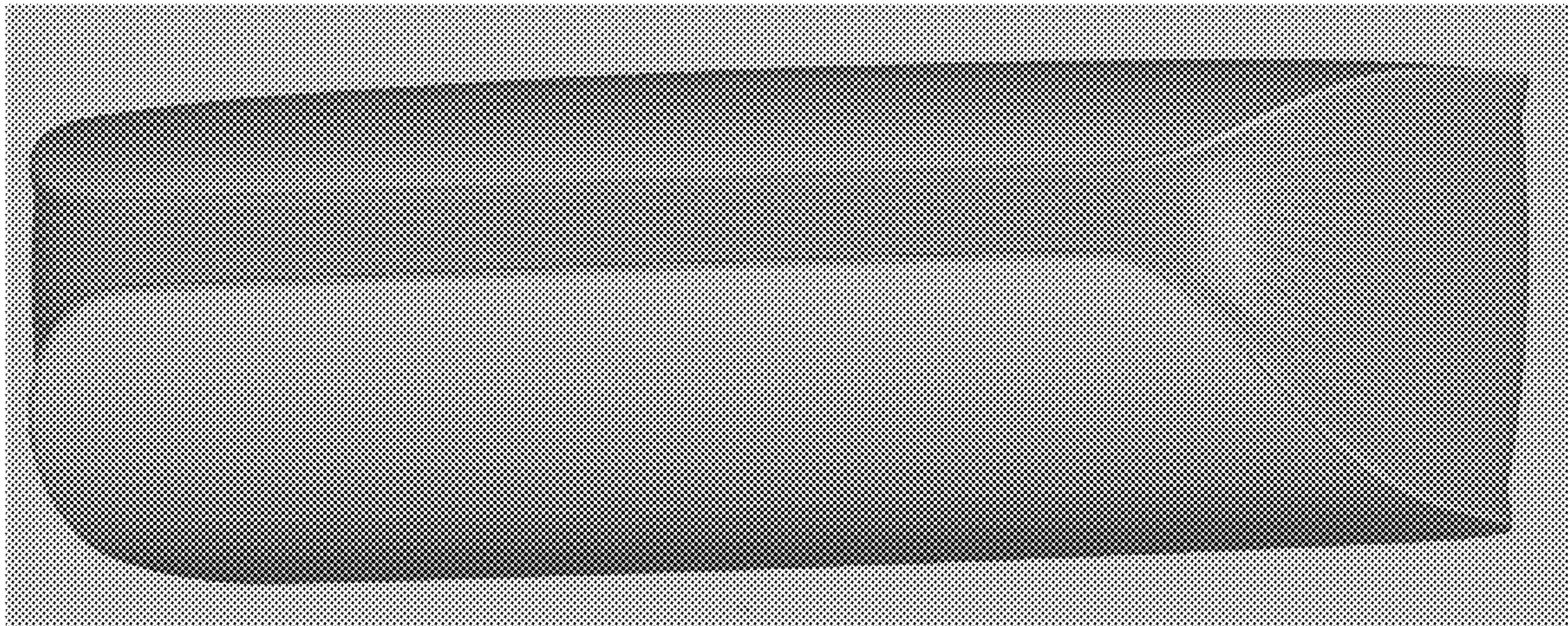
1.4



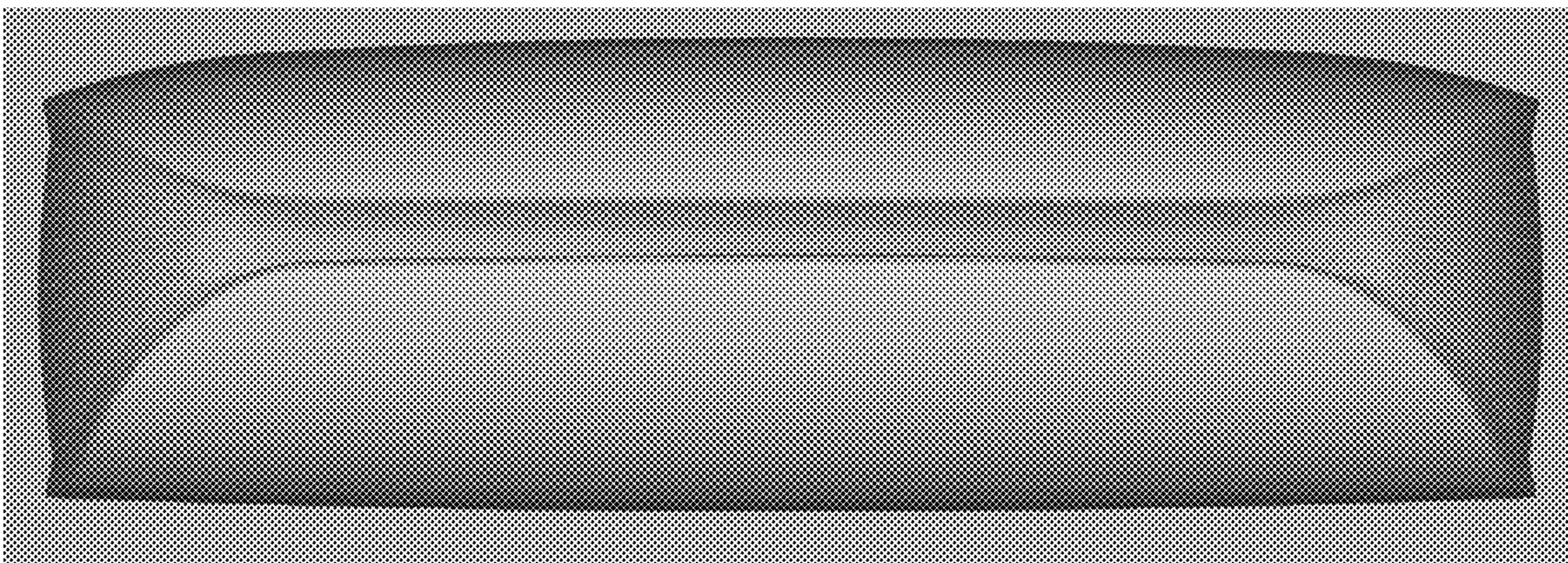
1.5



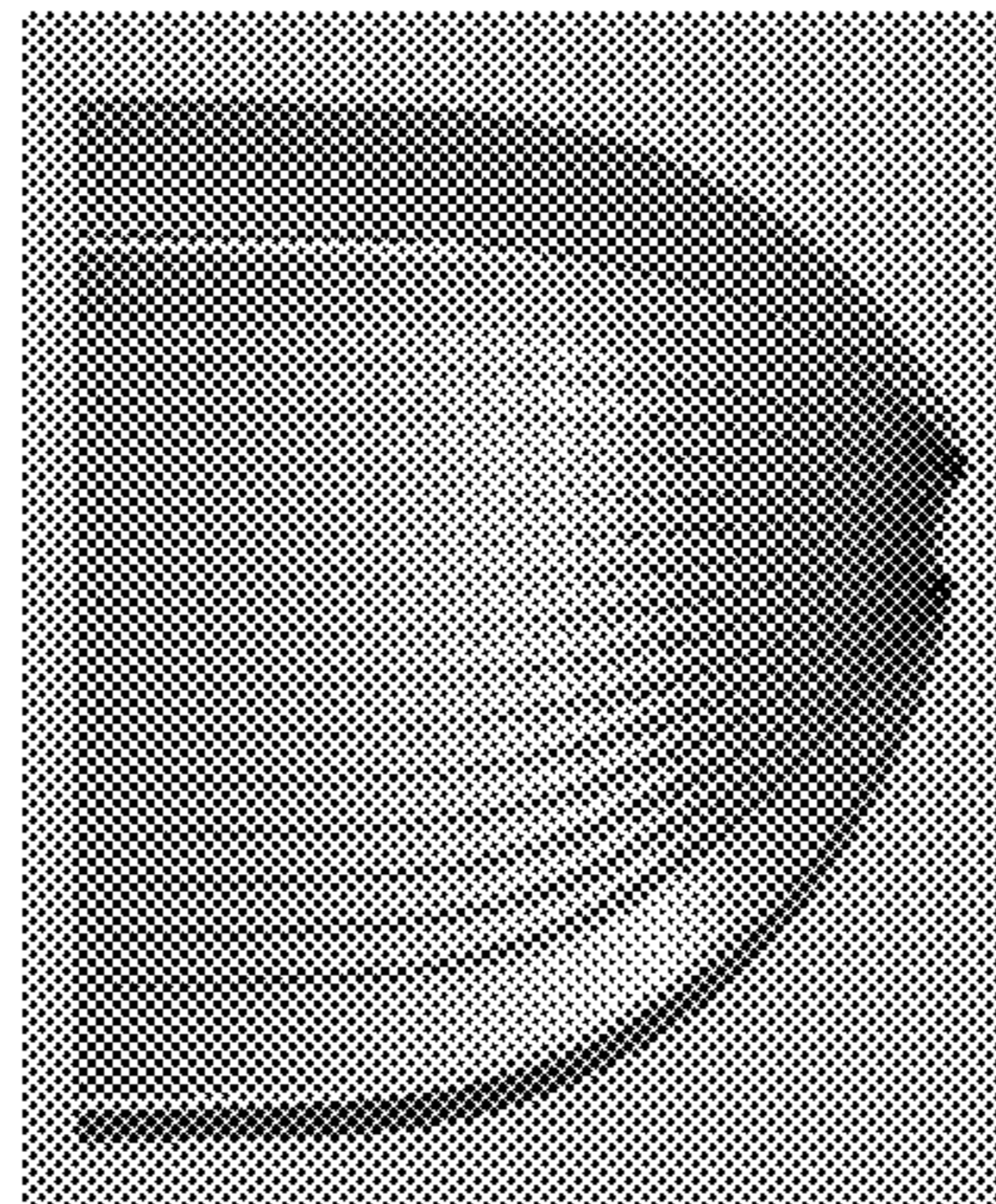
1.6



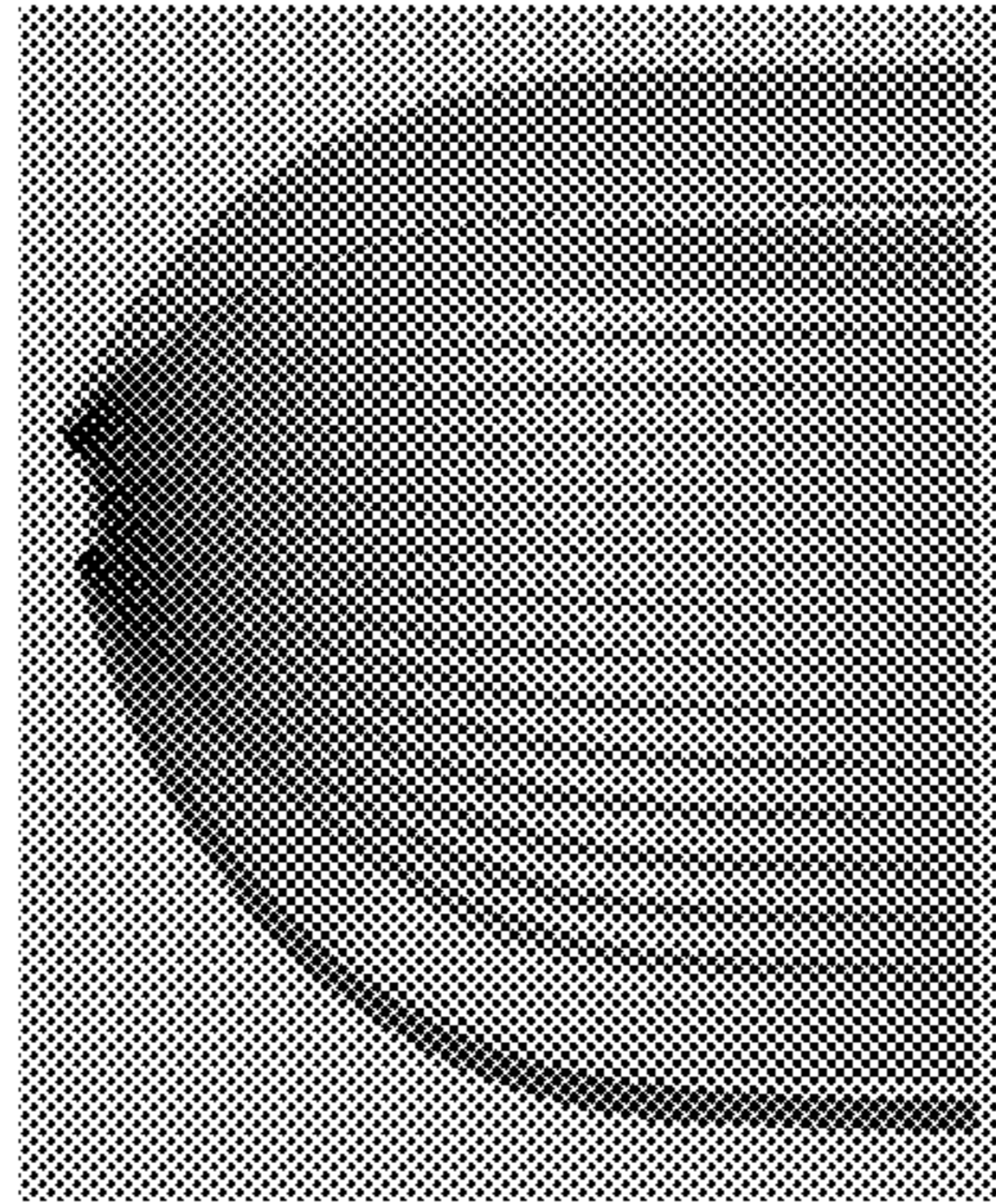
2.1



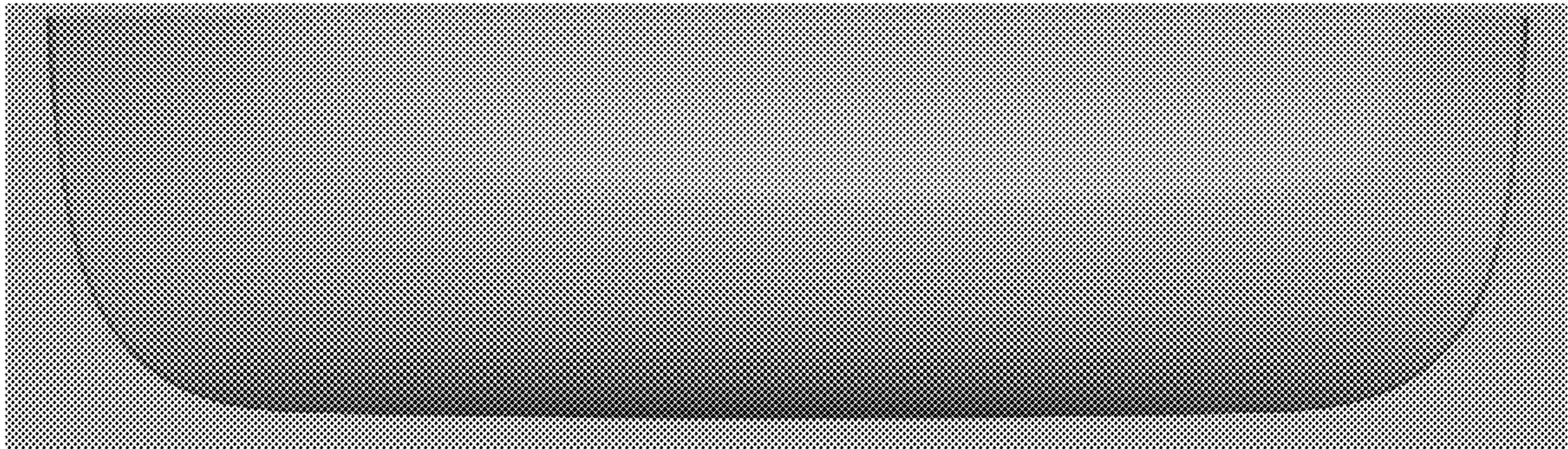
2.2



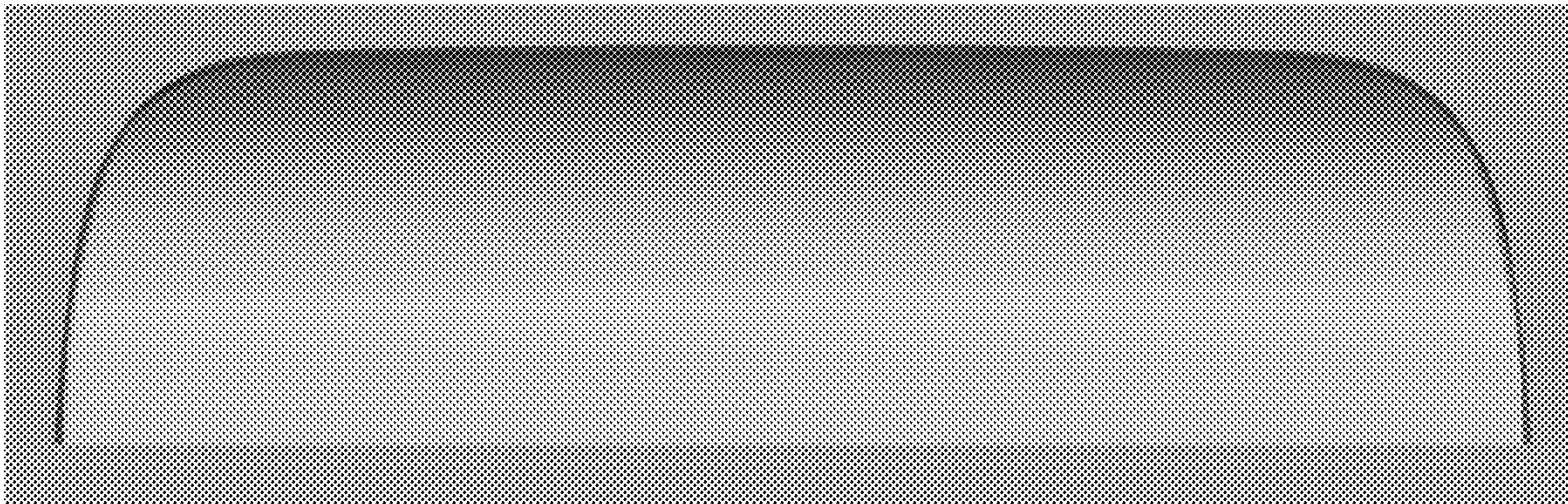
2.3



2.4



2.5



2.6

