



US00D846719S

(12) **United States Design Patent**
Niki

(10) **Patent No.:** **US D846,719 S**

(45) **Date of Patent:** **** Apr. 23, 2019**

(54) **AIR-CONDITIONER**

(71) Applicant: **Kentarou Niki**, Osaka (JP)

(72) Inventor: **Kentarou Niki**, Osaka (JP)

(73) Assignee: **DAIKIN INDUSTRIES LTD.**,
Osaka-Shi, Osaka-Fu (JP)

(**) Term: **15 Years**

(21) Appl. No.: **29/613,803**

(22) Filed: **Aug. 14, 2017**

(30) **Foreign Application Priority Data**

May 22, 2017 (JP) 2017-010826

(51) **LOC (11) Cl.** **23-04**

(52) **U.S. Cl.**
USPC **D23/351**

(58) **Field of Classification Search**
USPC D23/333, 335, 341, 342, 351, 353, 354,
D23/355, 356, 359, 364, 365, 370, 385,
D23/386, 388, 393

CPC F24F 1/00; F24F 1/0007; F24F 1/02; F24F
1/08; F24F 1/42; F24F 1/56; F24F 1/60;
F24F 3/044; F24F 3/048; F24F 3/16;
F24F 7/00; F24F 7/04; F24F 12/001;
F24F 12/006

See application file for complete search history.

(56) **References Cited**

U.S. PATENT DOCUMENTS

D182,029 S * 2/1958 Kirk D23/382
D407,478 S * 3/1999 Wilson, Jr. D23/370

D465,453 S * 11/2002 Chan D13/110
D529,157 S * 9/2006 Tice D23/351
D559,973 S * 1/2008 Rabito D23/412
D573,708 S * 7/2008 Beretta D23/412
D579,536 S * 10/2008 Oh D23/351
D603,948 S * 11/2009 Ishihara D23/351
D705,410 S * 5/2014 Terao D23/364
D775,321 S * 12/2016 Haaf D23/382
D782,019 S * 3/2017 Kim D23/364
D786,413 S * 5/2017 Martin, Sr. D23/351
D799,023 S * 10/2017 Haaf D23/354
D811,568 S * 2/2018 Terasaki D23/351
D827,115 S * 8/2018 Petersen D23/333

* cited by examiner

Primary Examiner — Natasha Vujcic

(74) *Attorney, Agent, or Firm* — Manabu Kanesaka

(57) **CLAIM**

The ornamental design for air-conditioner, as shown and described.

DESCRIPTION

FIG. 1 is a perspective view of an air-conditioner showing my new design;
FIG. 2 is a front view thereof;
FIG. 3 is a rear view thereof;
FIG. 4 is a plan view thereof;
FIG. 5 is a bottom view thereof;
FIG. 6 is a left side view thereof; and,
FIG. 7 is a right side view thereof.
The broken lines depict portions of the air-conditioner that form no part of claimed design.

1 Claim, 4 Drawing Sheets

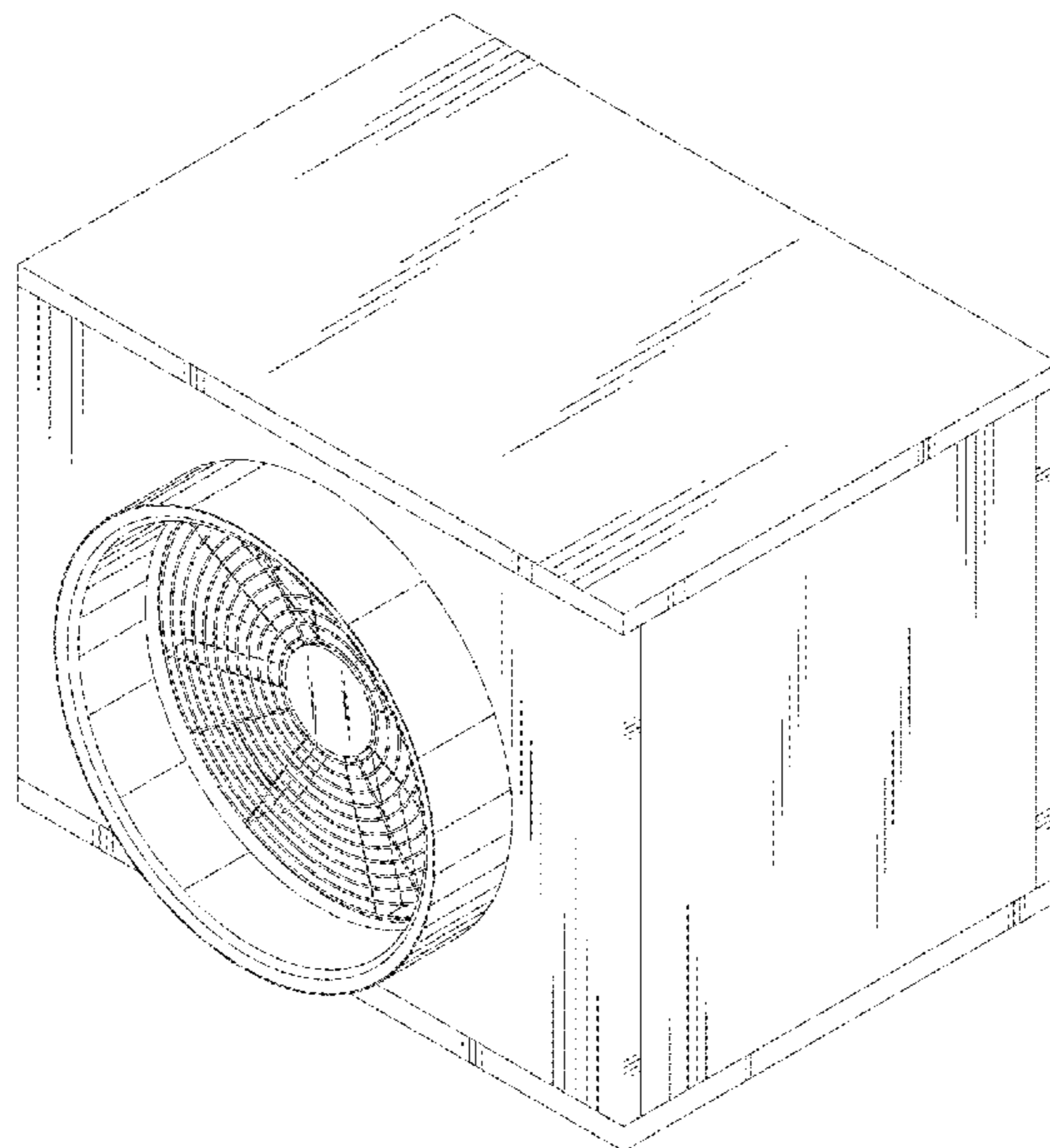


Fig.1

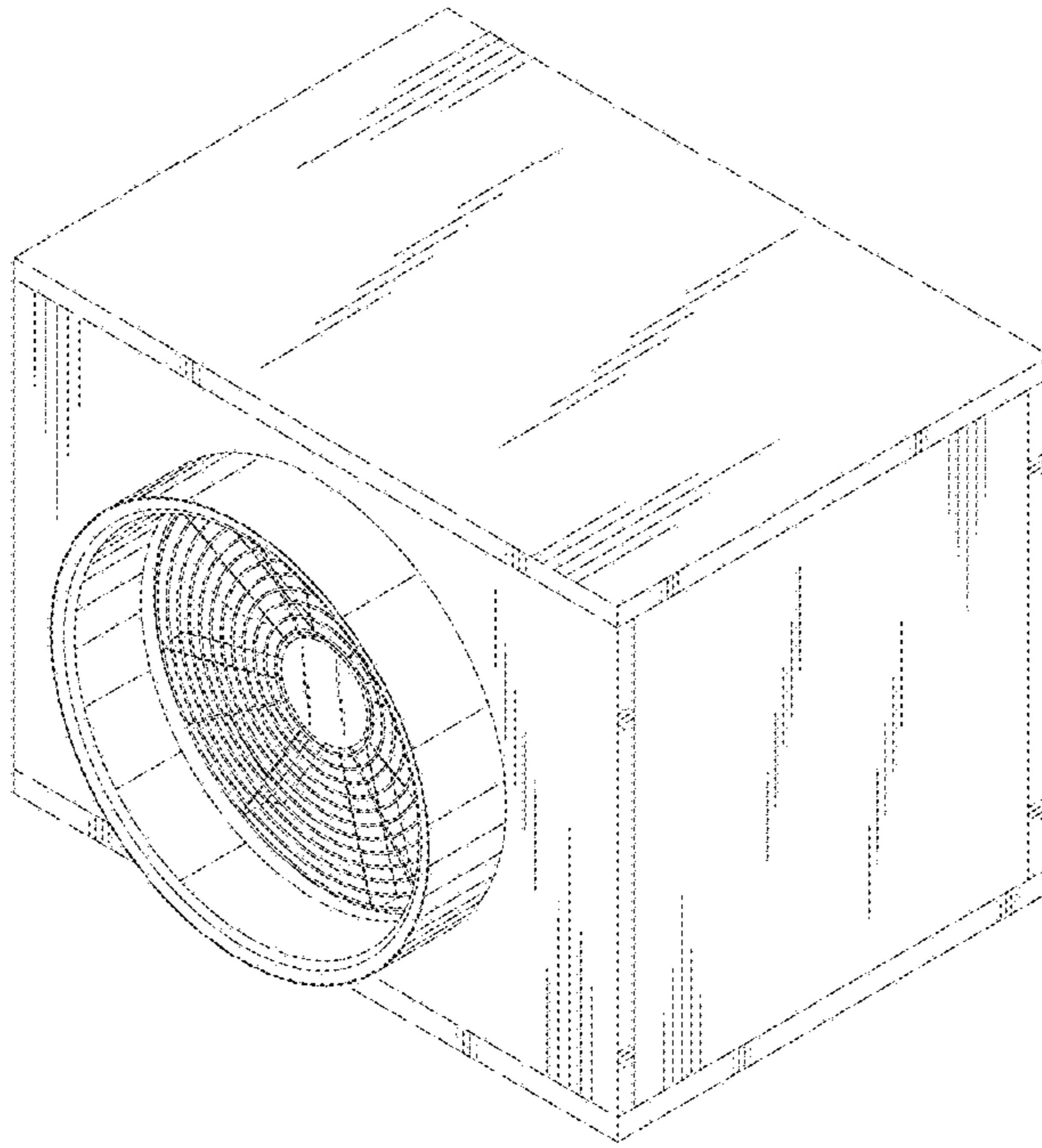


Fig.2

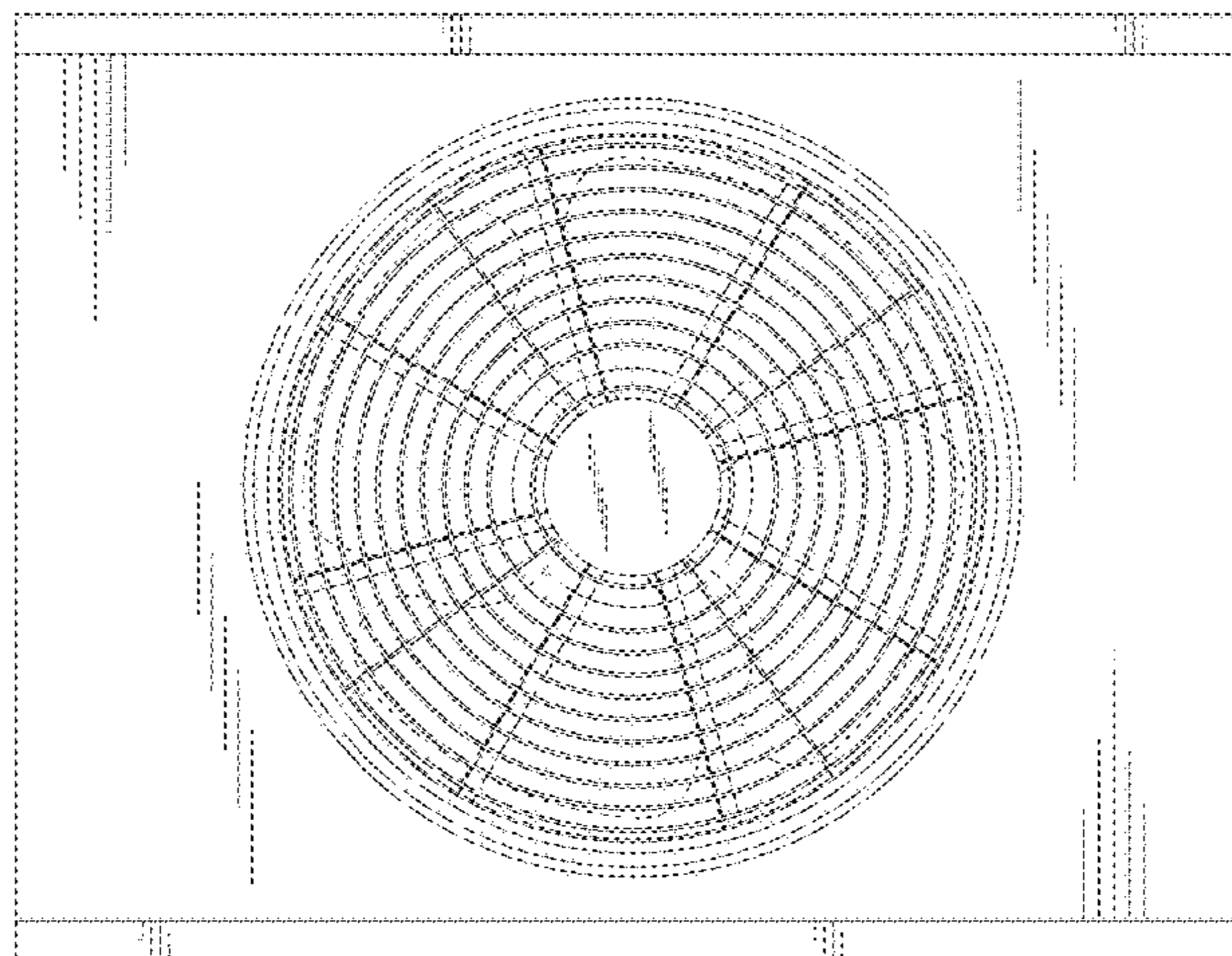


Fig.3

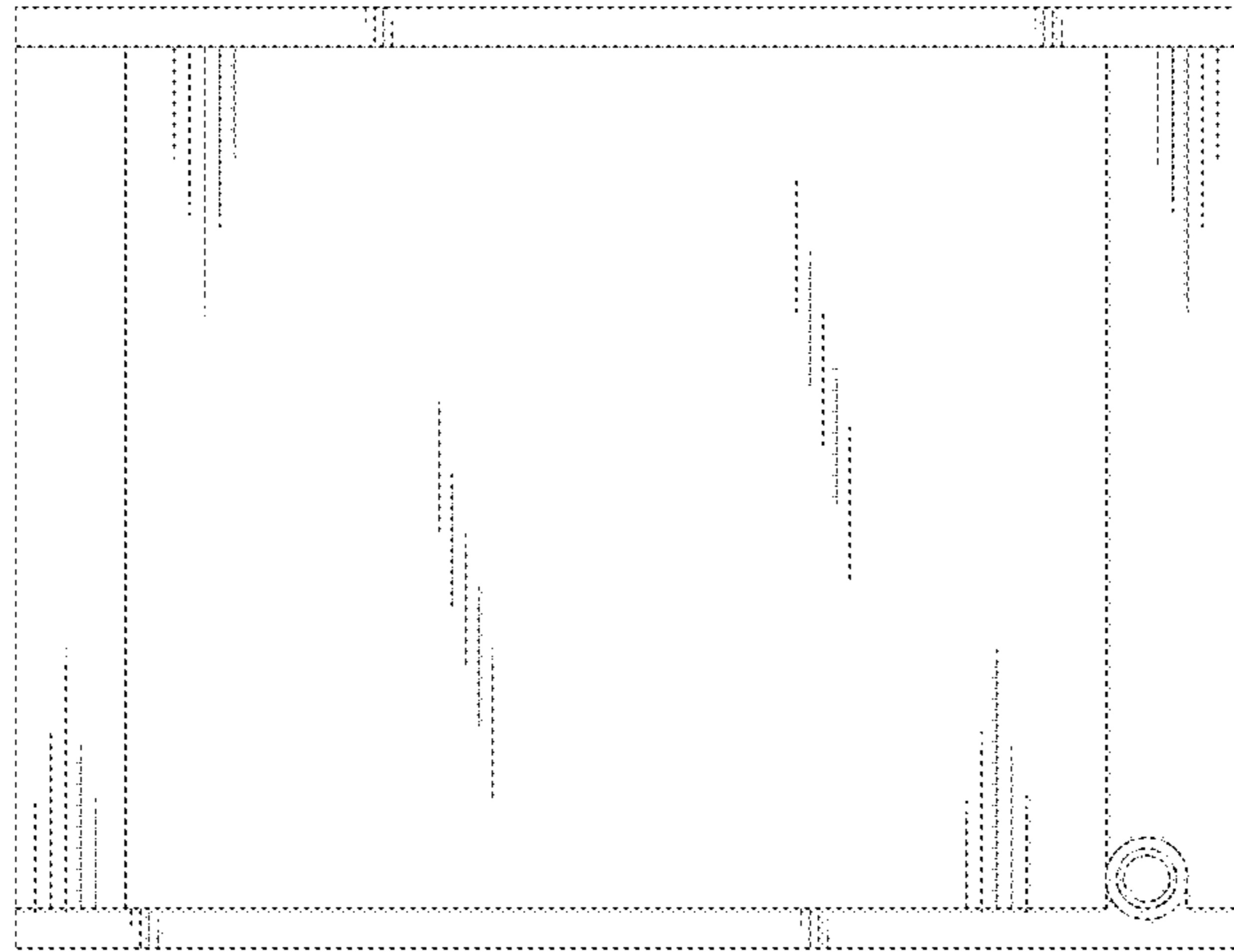


Fig.4

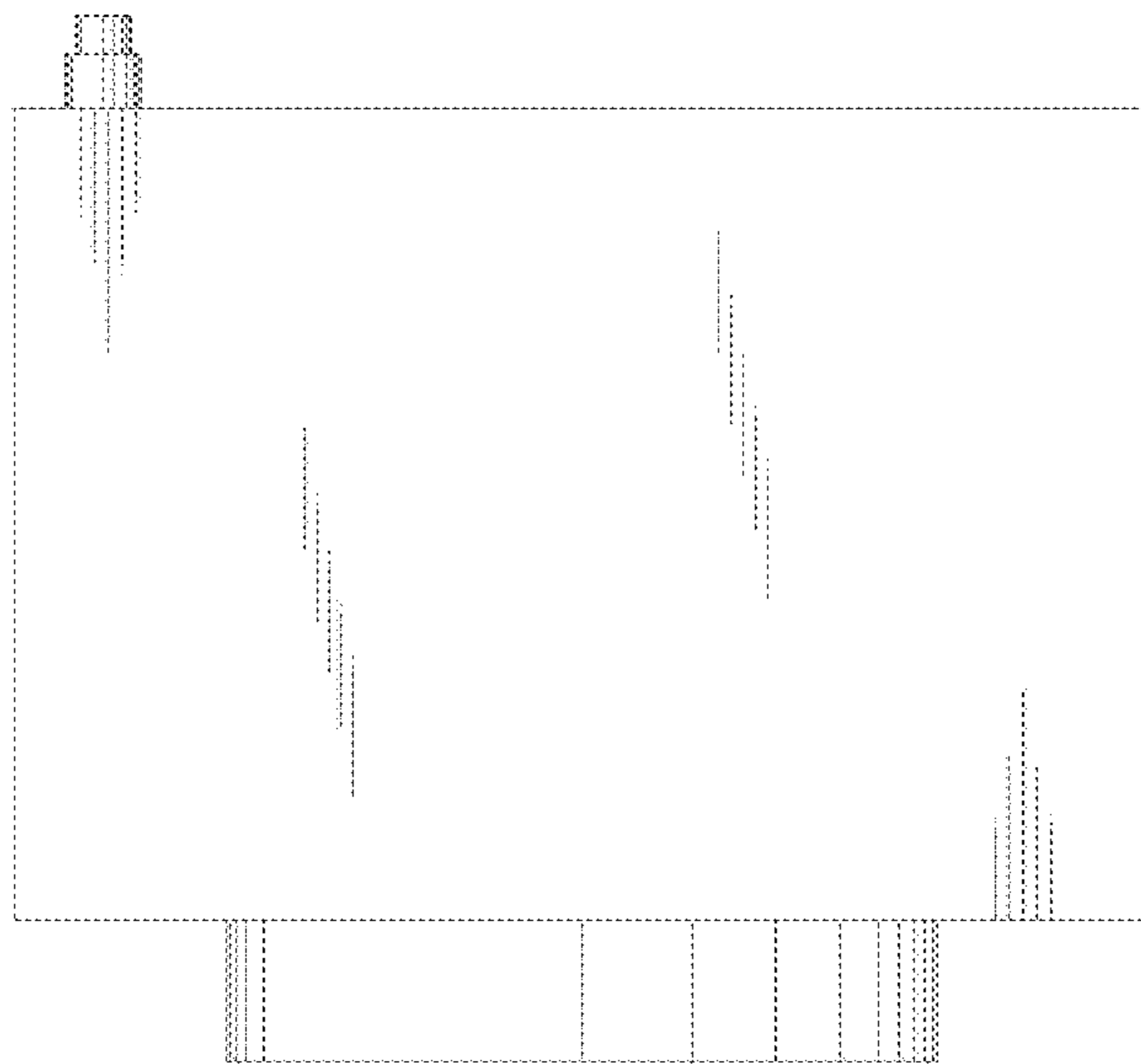


Fig.5

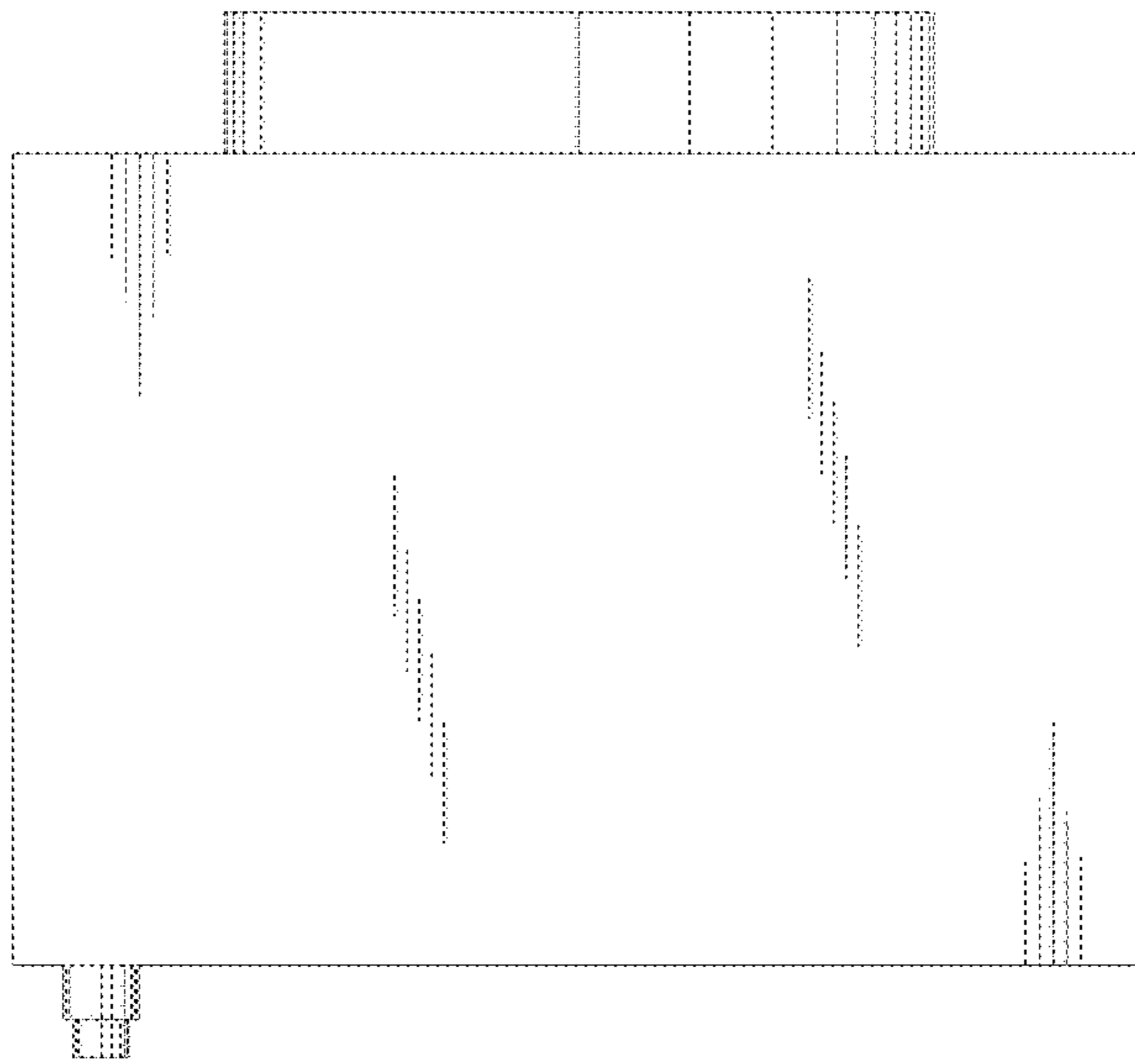


Fig.6

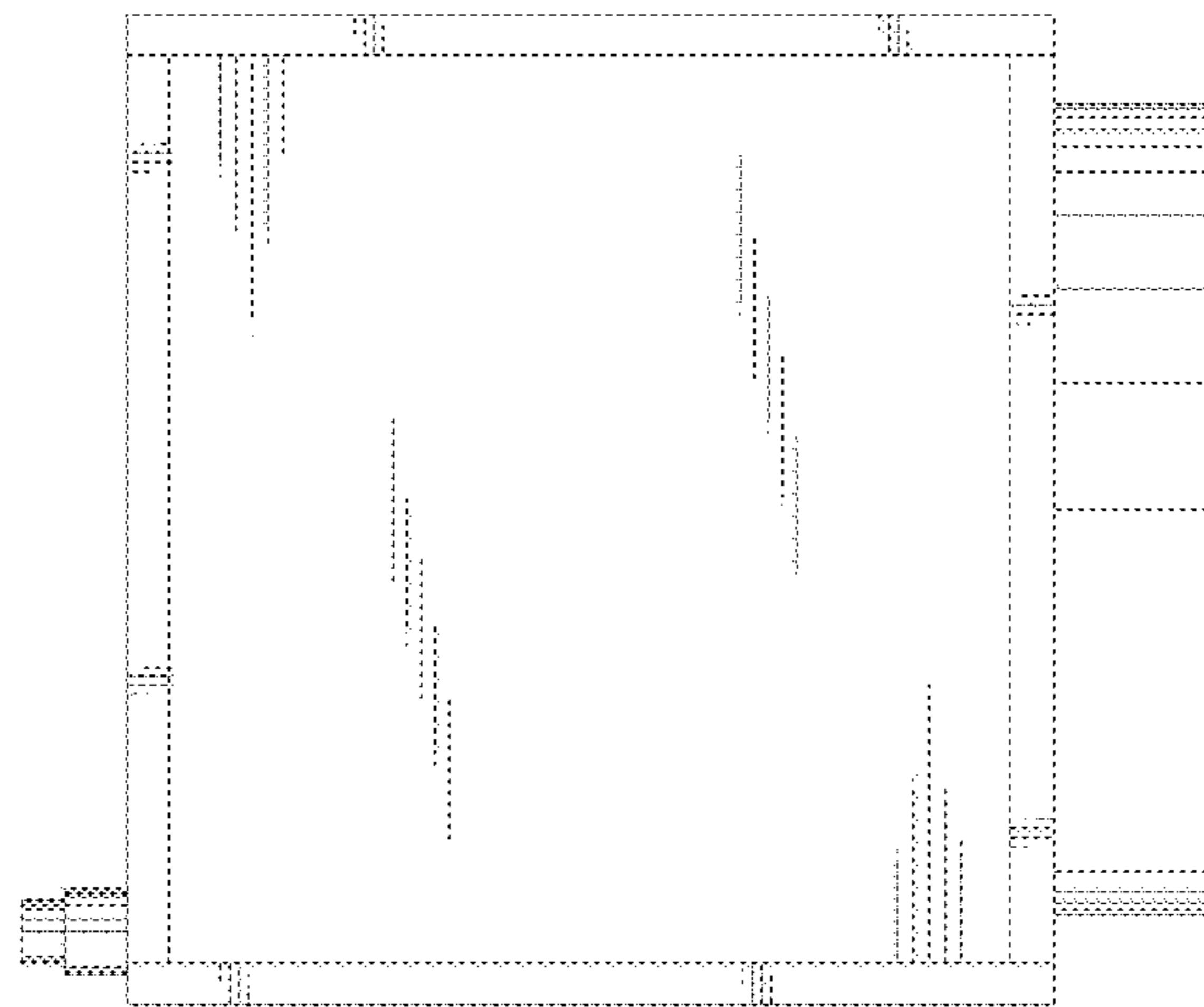


Fig.7

