



US00D846716S

(12) **United States Design Patent** (10) **Patent No.:** **US D846,716 S**
Maki (45) **Date of Patent:** **** Apr. 23, 2019**

(54) **HEATER**

(71) Applicant: **Mark Wayne Maki**, Watford City, ND (US)

(72) Inventor: **Mark Wayne Maki**, Watford City, ND (US)

(**) Term: **15 Years**

(21) Appl. No.: **29/603,564**

(22) Filed: **May 10, 2017**

(51) **LOC (11) Cl.** **23-03**

(52) **U.S. Cl.**
USPC **D23/342**

(58) **Field of Classification Search**
USPC D23/333, 335, 341, 342, 351, 353, 354, D23/355, 356, 359, 364, 365, 370, 385, D23/386, 388, 393
CPC F24F 1/00; F24F 1/0007; F24F 1/02; F24F 1/08; F24F 1/42; F24F 1/56; F24F 1/60; F24F 3/044; F24F 3/048; F24F 3/16; F24F 7/00; F24F 7/04; F24F 12/001; F24F 12/006

See application file for complete search history.

(56) **References Cited**

U.S. PATENT DOCUMENTS

D188,018 S * 5/1960 Alger D23/342
D190,213 S * 4/1961 Krausz D23/342
D196,829 S * 11/1963 Wilkinson D23/342
D198,821 S * 8/1964 Hoyle D23/351

D206,510 S * 12/1966 Walz et al. D23/342
D294,291 S * 2/1988 Albritton D23/342
D339,632 S * 9/1993 Immel D23/351
D450,819 S * 11/2001 Breshears D23/342
D450,820 S * 11/2001 Breshears D23/342
D453,822 S * 2/2002 Meeks D23/356
D529,594 S * 10/2006 Pruitt D23/351
D547,849 S * 7/2007 Francisquini D23/351
D616,081 S * 5/2010 Chiu D23/333
D635,655 S * 4/2011 Chen D23/364
D645,130 S * 9/2011 Goldstein D23/356
D777,891 S * 1/2017 Kubota D23/351
2002/0153814 A1 * 10/2002 Robideau H05K 7/183
312/265.4
2014/0117825 A1 * 5/2014 Lee F24F 13/20
312/237

* cited by examiner

Primary Examiner — Natasha Vujcic
(74) *Attorney, Agent, or Firm* — Plager Schack LLP;
Mark H. Plager; Michael J. O'Brien

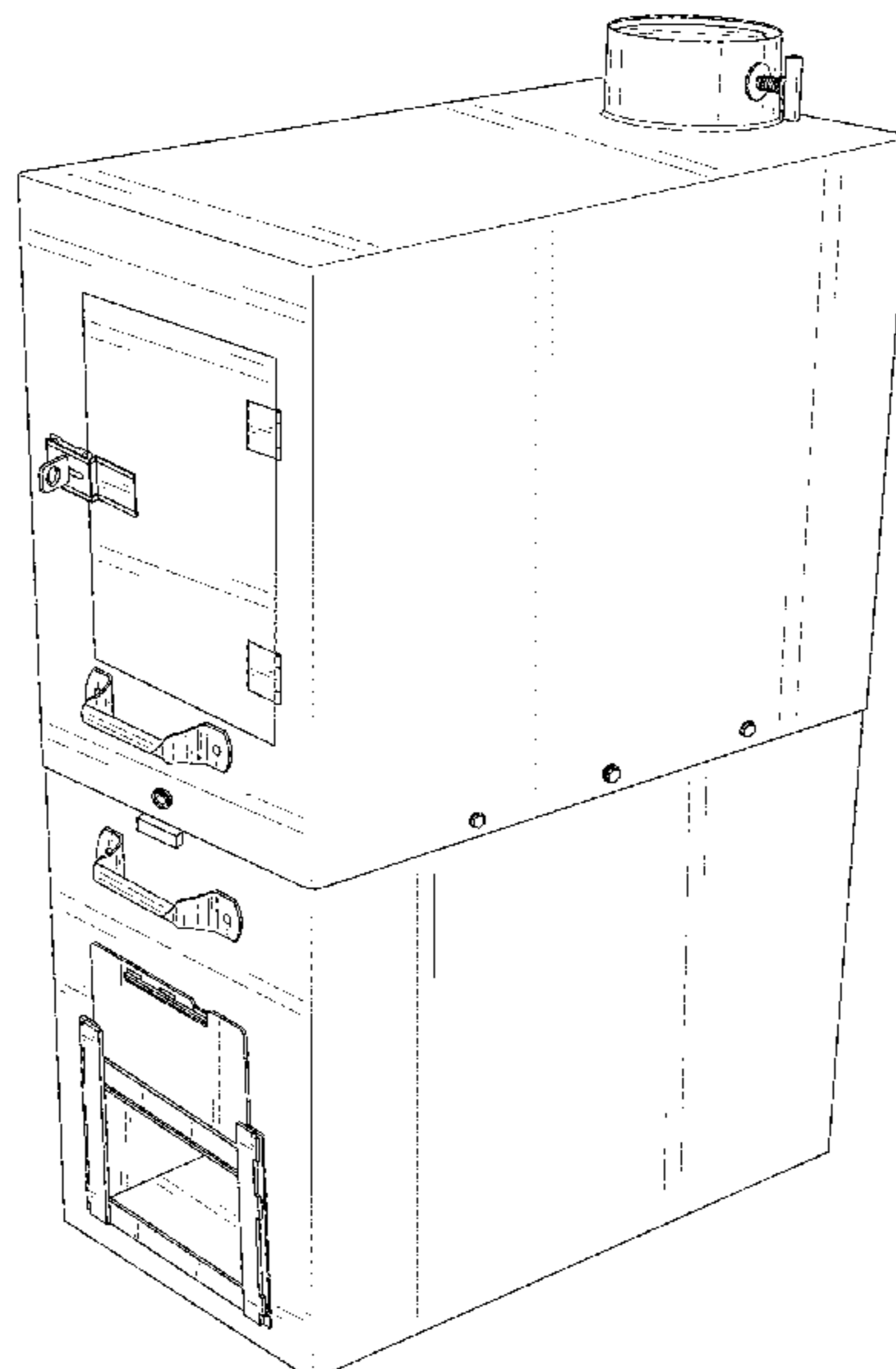
(57) **CLAIM**

An ornamental design for a heater, as shown and described.

DESCRIPTION

FIG. 1 is a front perspective view of a heater.
FIG. 2 is front view of the heater.
FIG. 3 is rear view of the heater.
FIG. 4 is first side view of the heater.
FIG. 5 is second side view of the heater.
FIG. 6 is top side view of the heater; and,
FIG. 7 is bottom side view of the heater.

1 Claim, 7 Drawing Sheets



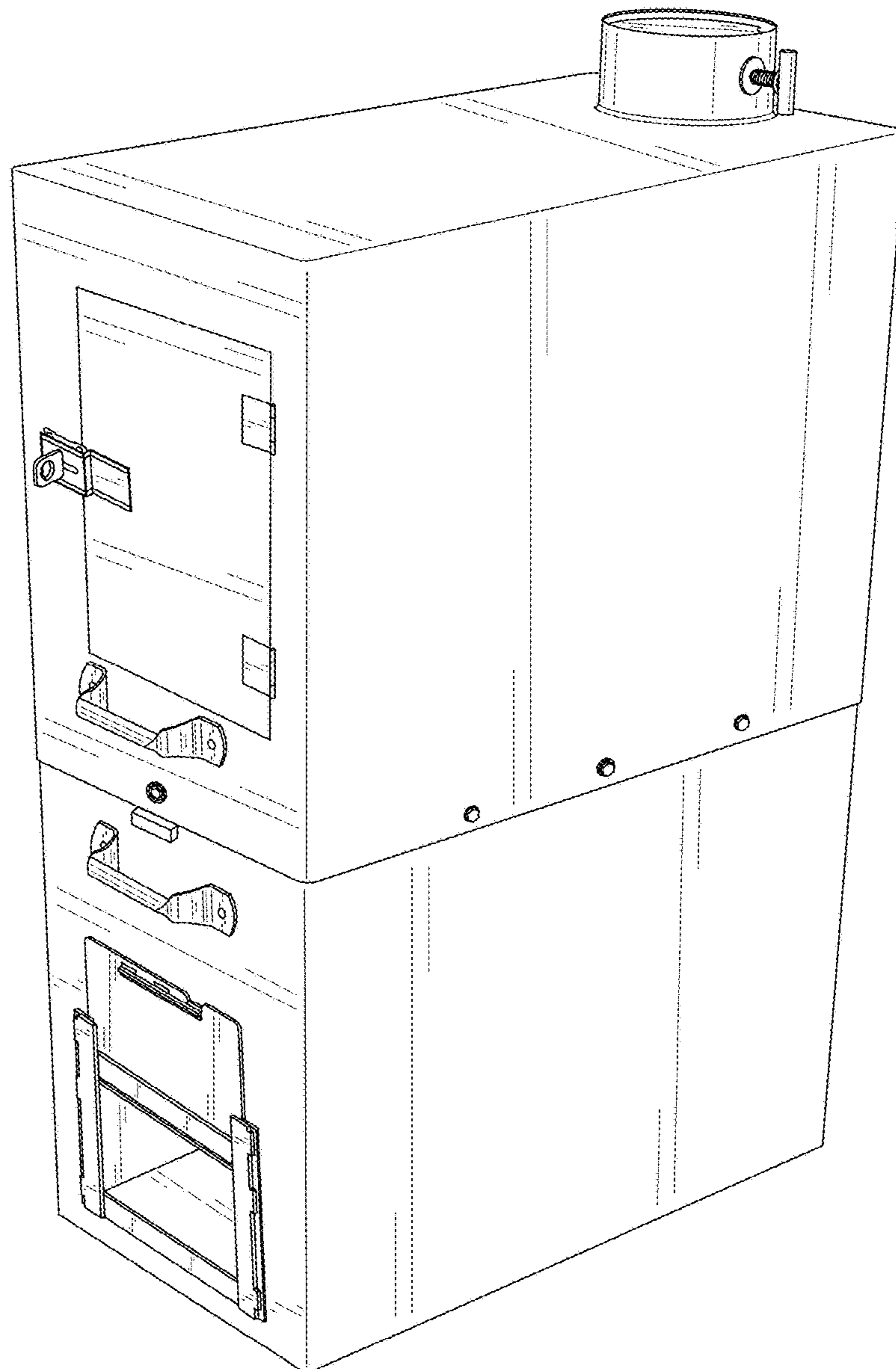


FIG. 1

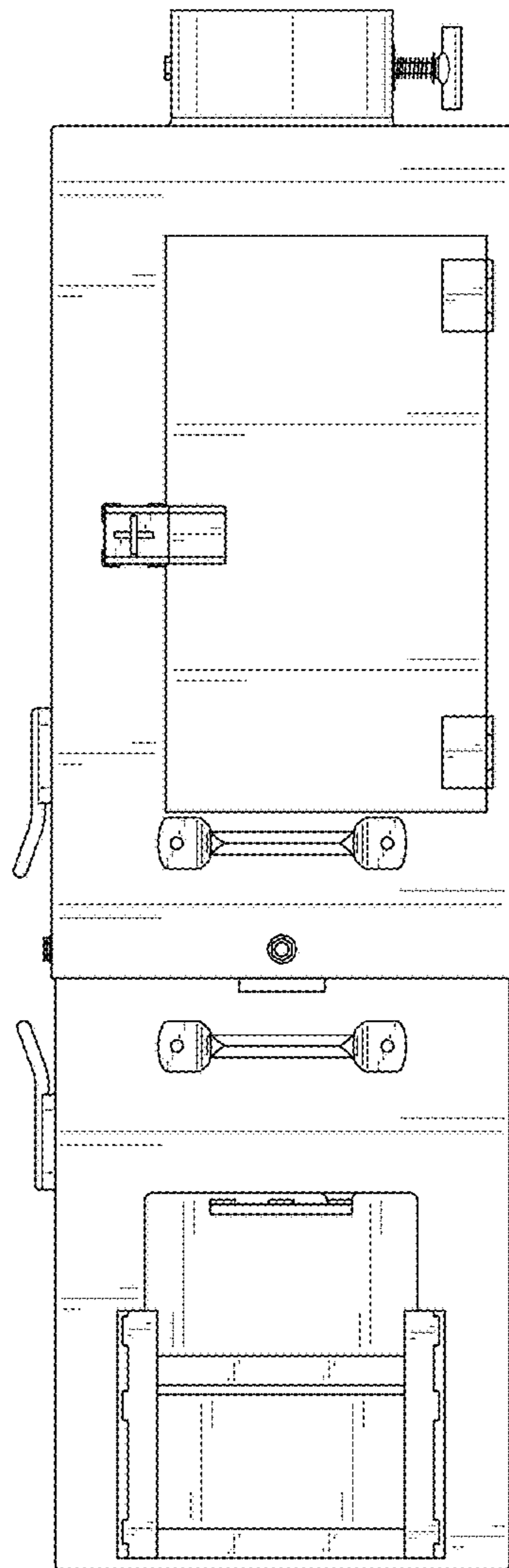


FIG. 2

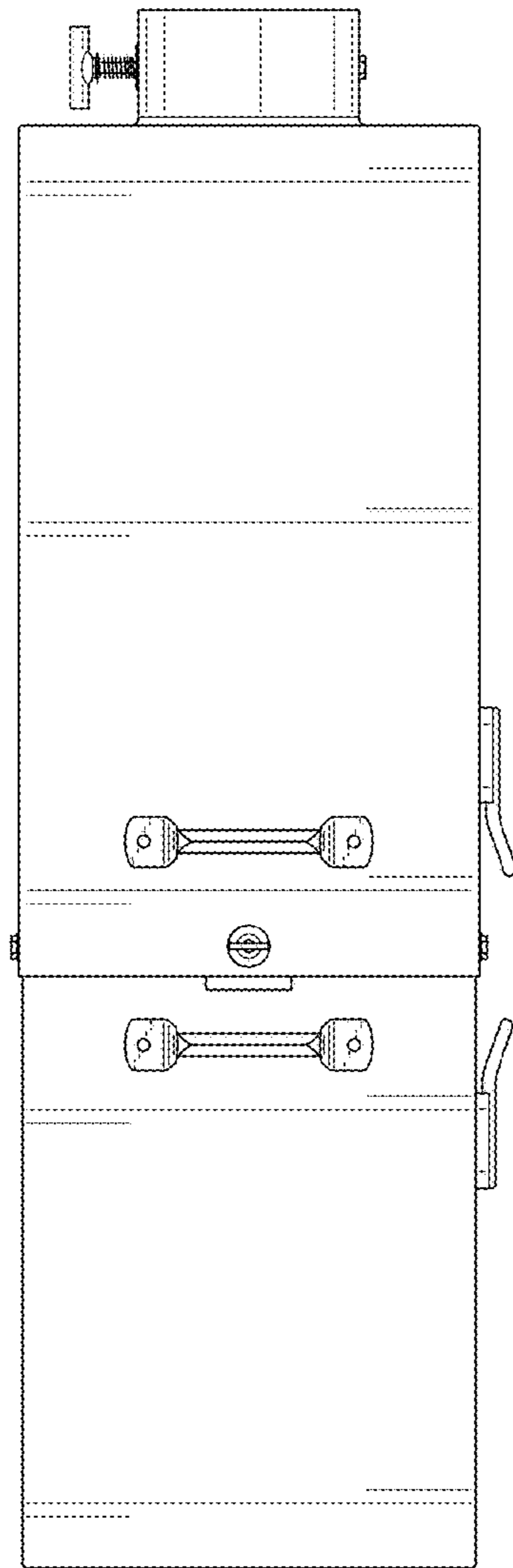


FIG. 3

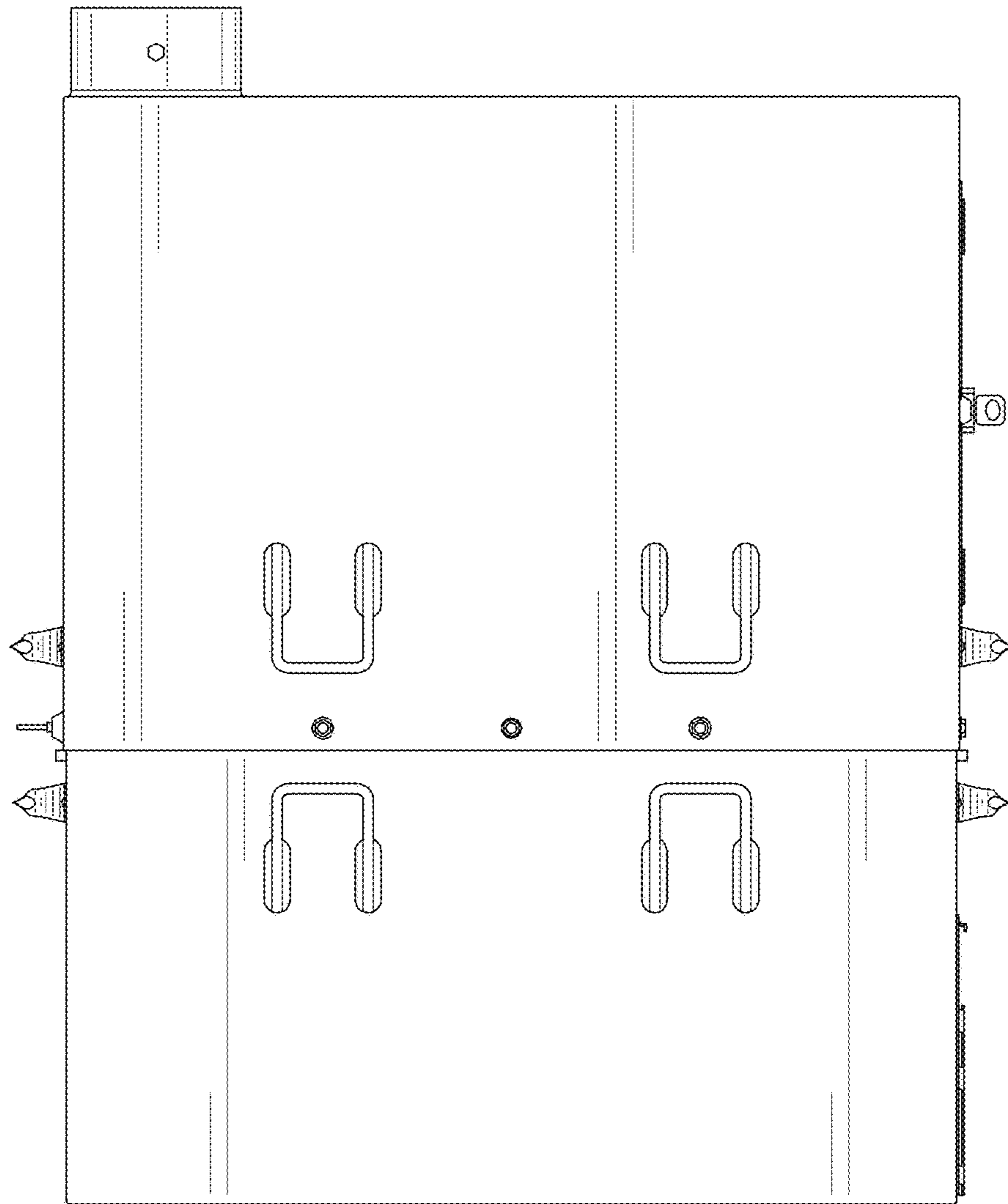


FIG. 4

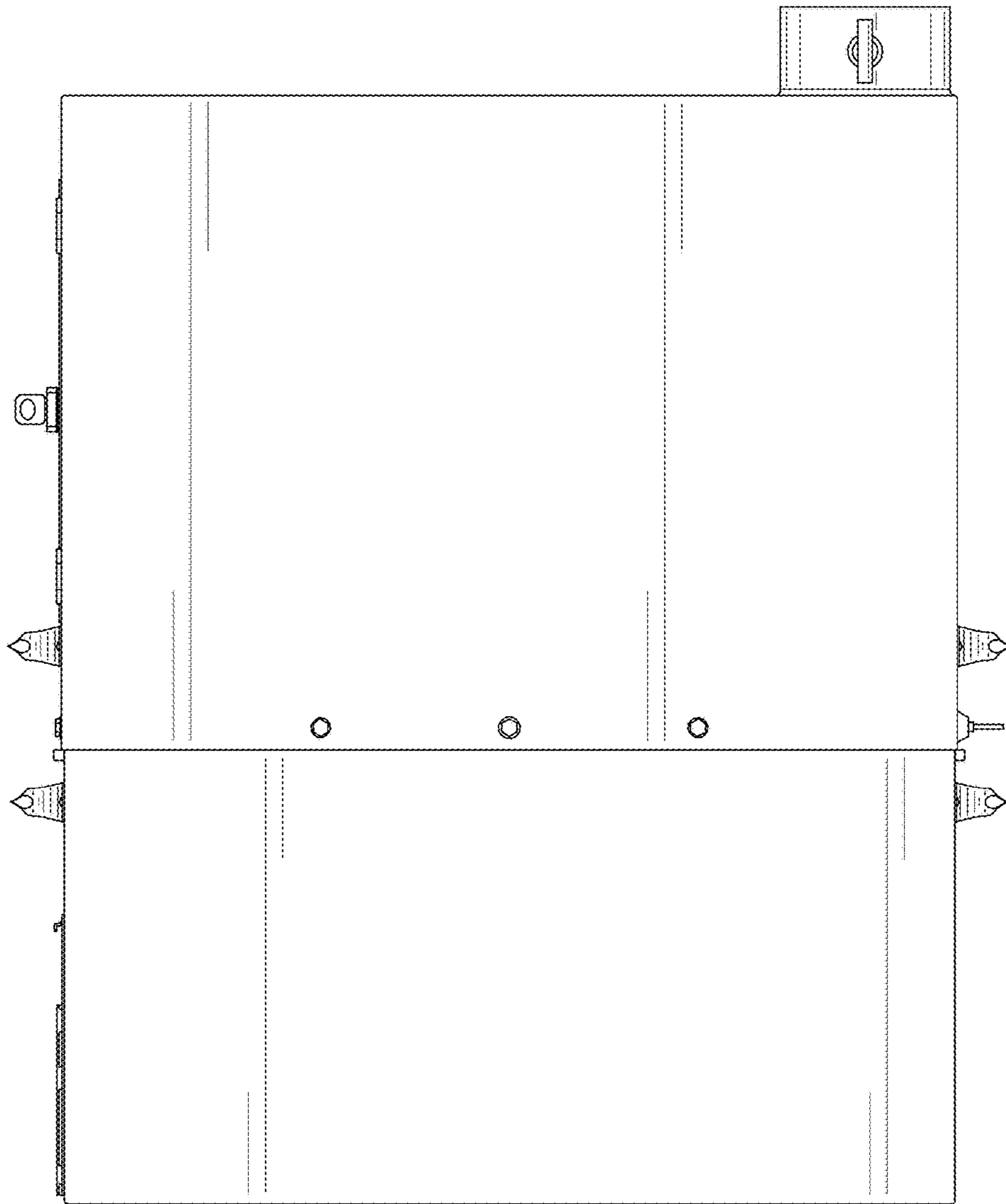


FIG. 5

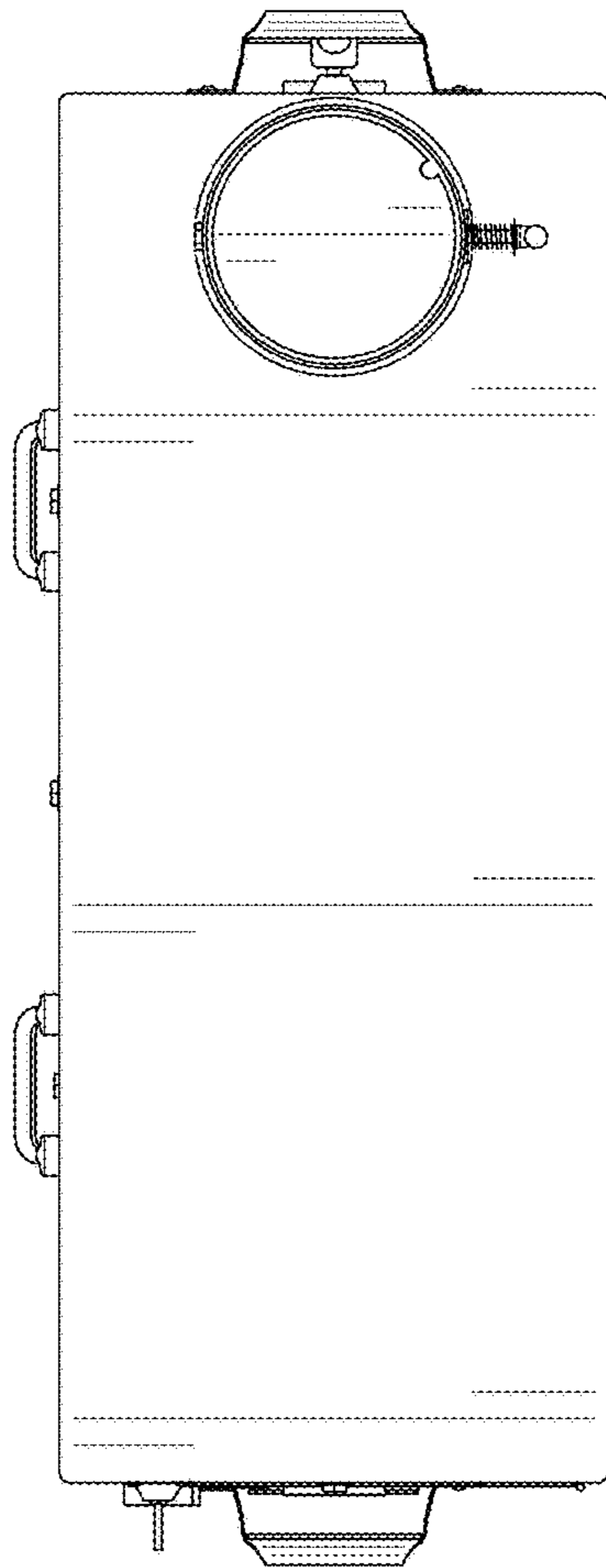


FIG. 6

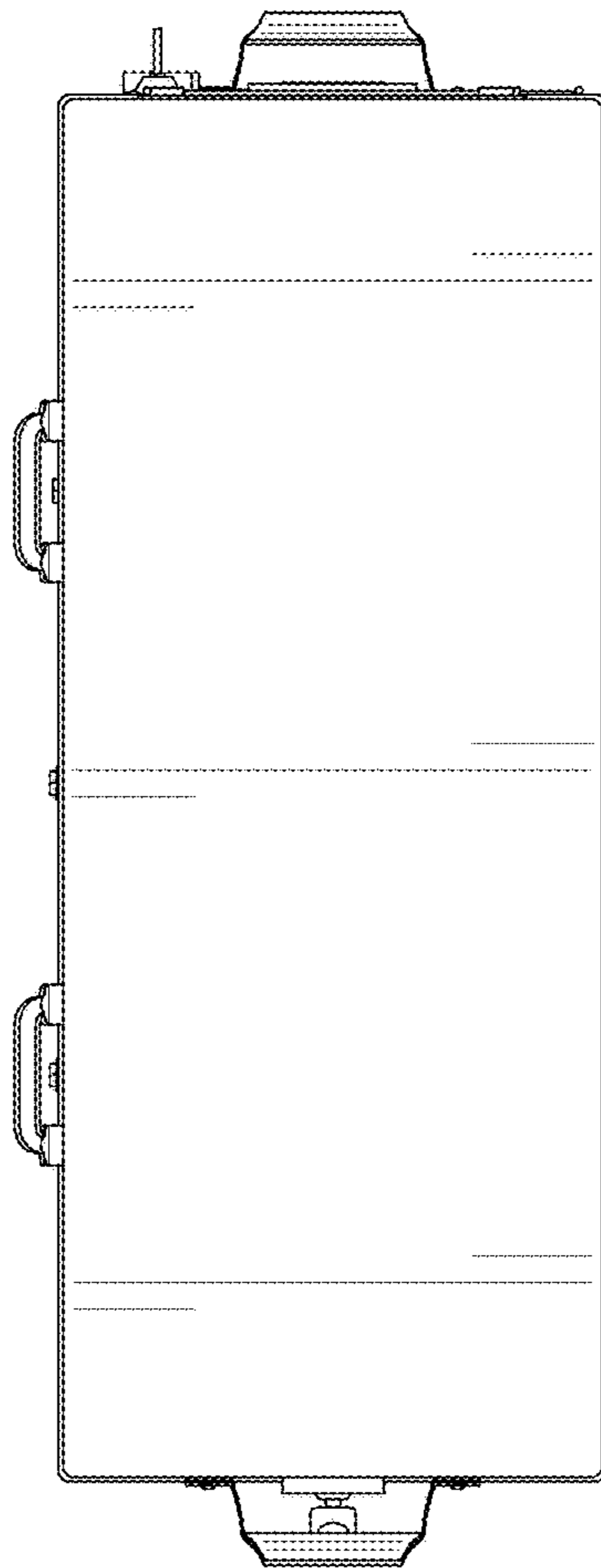


FIG. 7