



US00D846714S

(12) **United States Design Patent**  
**Bancroft et al.**

(10) **Patent No.:** **US D846,714 S**

(45) **Date of Patent:** **\*\* Apr. 23, 2019**

(54) **PIPE COUPLING**

(71) Applicant: **Victaulic Company**, Easton, PA (US)

(72) Inventors: **Philip Wayne Bancroft**, Belvidere, NJ (US); **Matthew A. Bowman**, Palmer, PA (US); **Kathryn E. Yovanovich**, Nazareth, PA (US)

(73) Assignee: **Victaulic Company**, Easton, PA (US)

(\*\*) Term: **15 Years**

(21) Appl. No.: **29/646,169**

(22) Filed: **May 2, 2018**

**Related U.S. Application Data**

(62) Division of application No. 29/579,337, filed on Sep. 29, 2016, now Pat. No. Des. 823,443.

(51) **LOC (11) Cl.** ..... **23-01**

(52) **U.S. Cl.**  
USPC ..... **D23/262**

(58) **Field of Classification Search**

USPC ..... D23/259, 262, 265; D8/249, 382, D8/394-397; 285/325-327; 251/146, 251/147, 148, 149, 150, 151, 152  
CPC ..... F16L 2201/10; F16L 37/09; F16L 23/036; F16L 23/18; F16L 21/02; F16L 21/06; F16L 21/08; F16L 17/00; F16L 17/04  
See application file for complete search history.

(56) **References Cited**

**U.S. PATENT DOCUMENTS**

D142,057 S \* 8/1945 Baxter ..... D23/265  
D189,229 S \* 11/1960 Bowne ..... D23/265  
3,544,138 A \* 12/1970 Von Eiff ..... F16L 23/10  
285/336  
D283,486 S 4/1986 Fogel  
4,611,839 A \* 9/1986 Rung ..... F16L 17/04  
24/279

4,966,395 A \* 10/1990 Hendrickson ..... F16L 17/04  
285/112

D438,783 S 3/2001 Elliott  
7,290,805 B2 \* 11/2007 Wu ..... F16L 23/06  
285/364

D570,458 S \* 6/2008 Gibb ..... D23/262  
D577,423 S \* 9/2008 Dole ..... D23/265

D583,444 S 12/2008 Nagle

D590,925 S 4/2009 Nagle

D597,635 S 8/2009 Dole

D598,076 S 8/2009 Dole

D600,326 S 9/2009 Gibb

D616,533 S 5/2010 Bowman

D618,312 S 6/2010 Madara

(Continued)

*Primary Examiner* — Eric L Goodman

*Assistant Examiner* — Amy C Wierenga

(74) *Attorney, Agent, or Firm* — Ballard Spahr LLP

(57) **CLAIM**

We claim the ornamental design for a pipe coupling, as shown and described.

**DESCRIPTION**

FIG. 1 is an isometric view of a pipe coupling showing our new design;

FIG. 2 is a top view of the design for the pipe coupling shown in FIG. 1;

FIG. 3 is a bottom view of the design for the pipe coupling shown in FIG. 1;

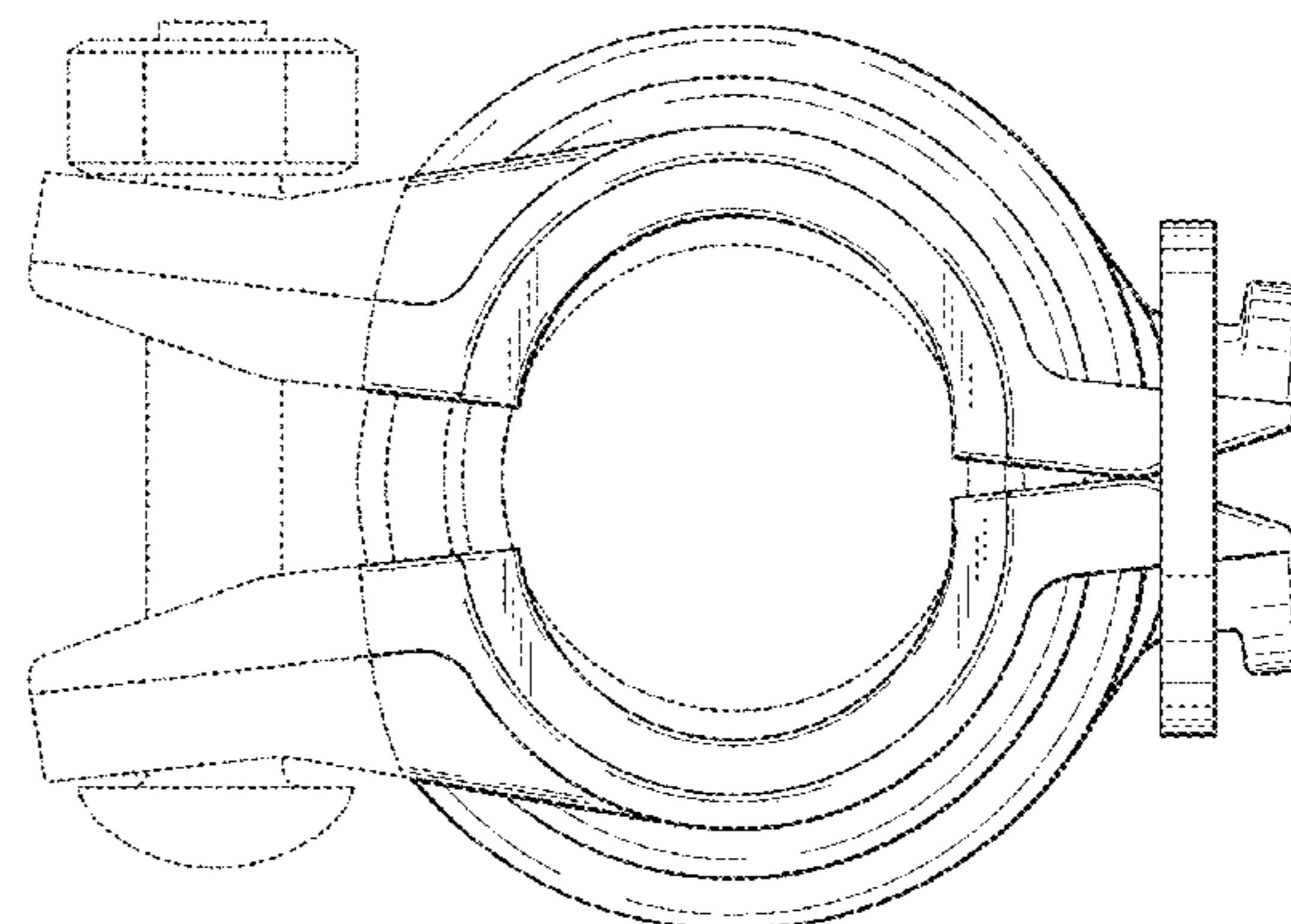
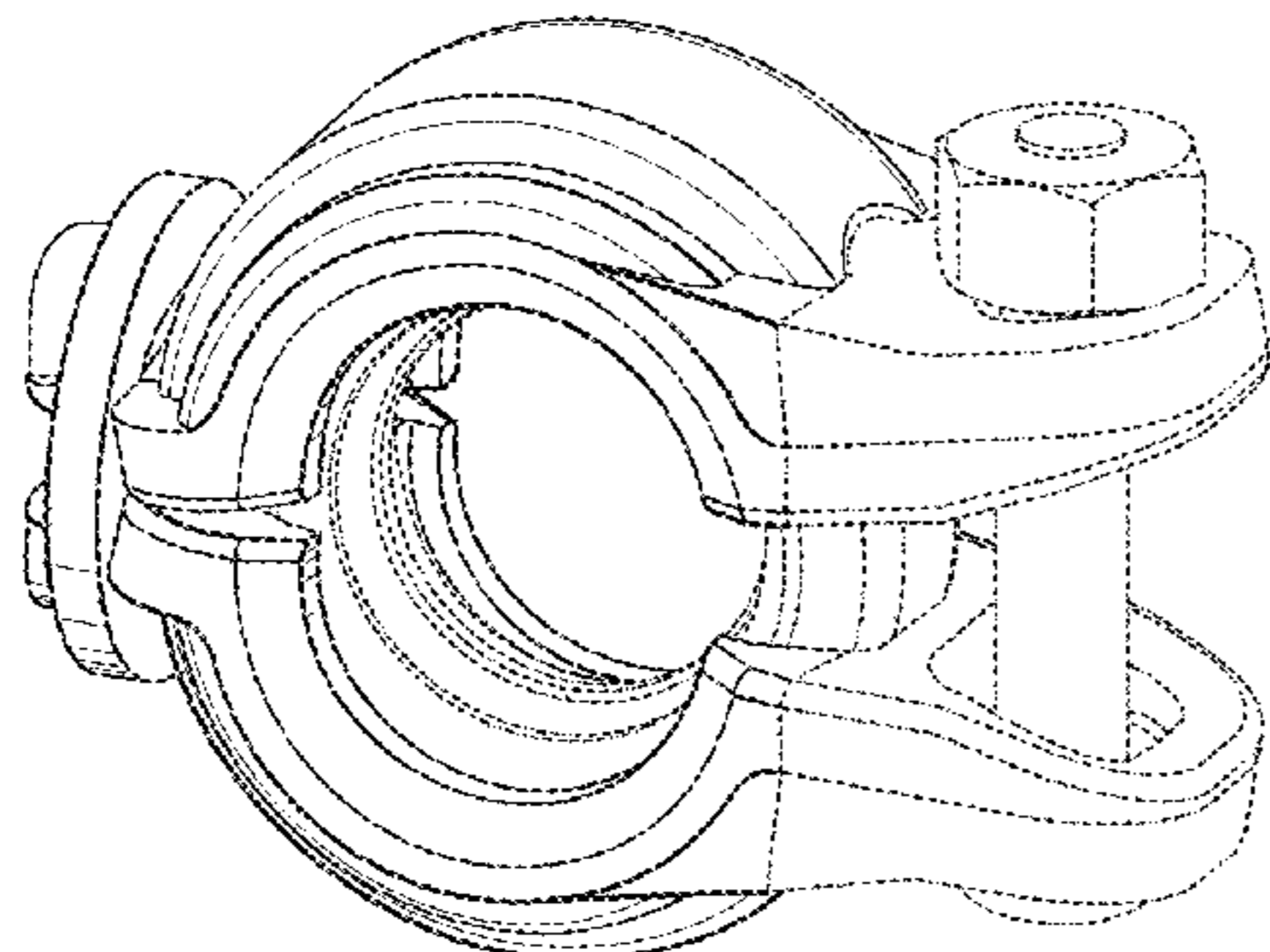
FIG. 4 is a left side view of the design for the pipe coupling shown in FIG. 1, the right side view being a mirror image thereof;

FIG. 5 is a front view of the design for the pipe coupling shown in FIG. 1; and,

FIG. 6 is a rear view of the design for the pipe coupling shown in FIG. 1.

The broken lines depict portions of the pipe coupling that form no part of the claimed design.

**1 Claim, 4 Drawing Sheets**



(56)

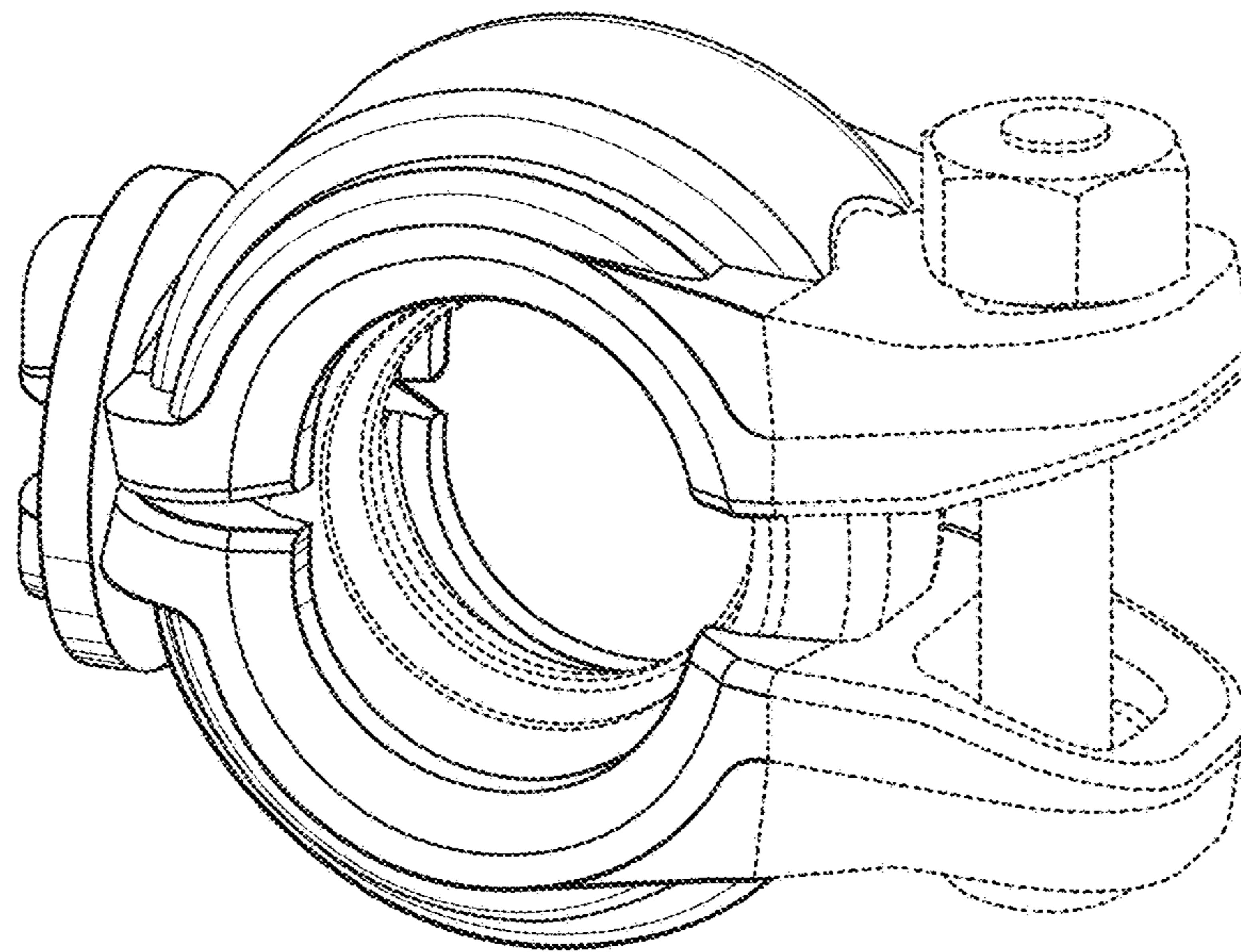
**References Cited**

U.S. PATENT DOCUMENTS

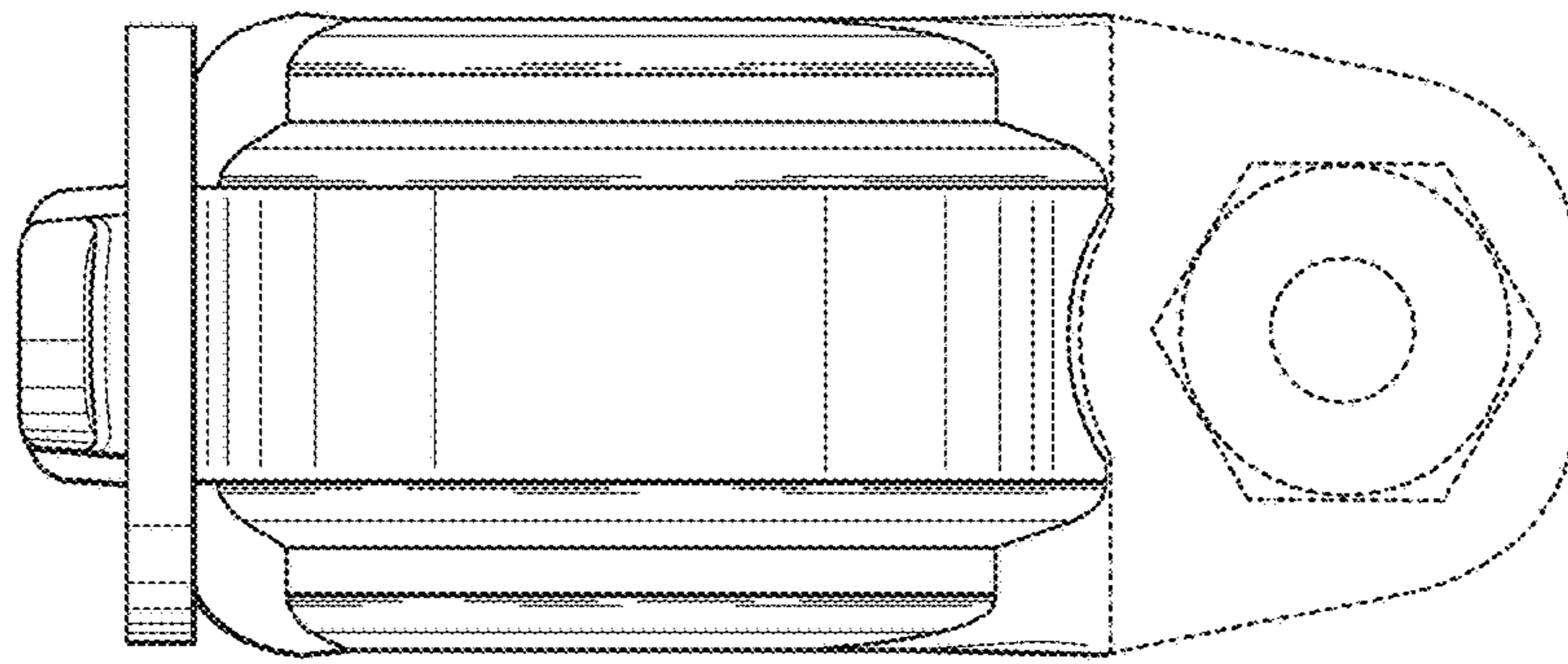
D625,784	S	10/2010	Bowman	
D625,785	S	10/2010	Madara	
D625,786	S	10/2010	Bowman	
D625,788	S	10/2010	Madara	
D626,200	S	10/2010	Bowman	
D629,078	S	12/2010	Dole	
D629,080	S	12/2010	Dole	
D680,630	S	4/2013	Beagen, Jr.	
8,550,502	B2 *	10/2013	Vandal	..... F16L 17/04 285/112
D700,835	S	3/2014	Langlois	
D711,730	S *	8/2014	McKiernan	..... D8/396
9,039,046	B2 *	5/2015	Beagen, Jr.	..... F16L 17/025 285/367
D735,025	S *	7/2015	Mathien	..... D8/396
D794,440	S	8/2017	Papafagos	
2007/0138351	A1 *	6/2007	Wu	..... F16L 23/06 248/74.2
2012/0256415	A1	10/2012	Dole	
2014/0327238	A1	11/2014	Bowman	
2017/0328500	A1 *	11/2017	Bowman	..... F16L 23/036

\* cited by examiner

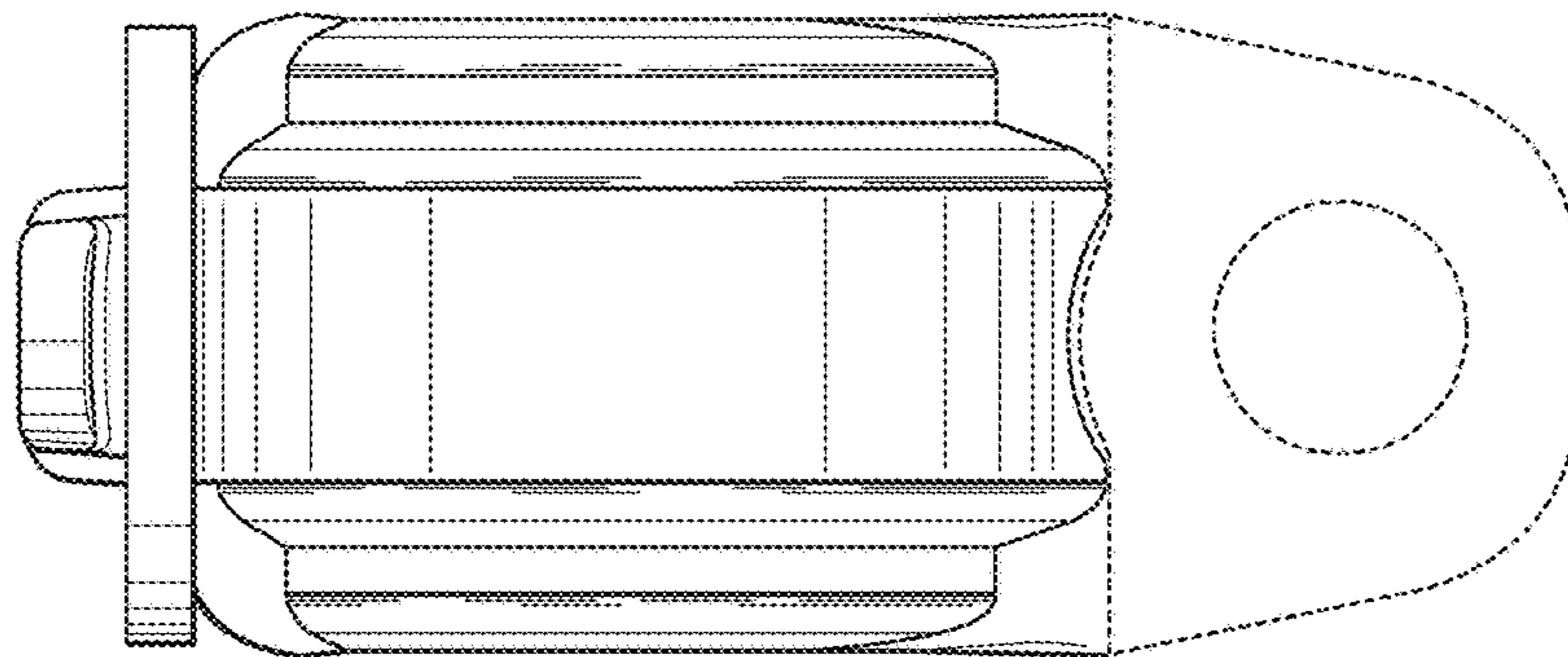
*FIG. 1*



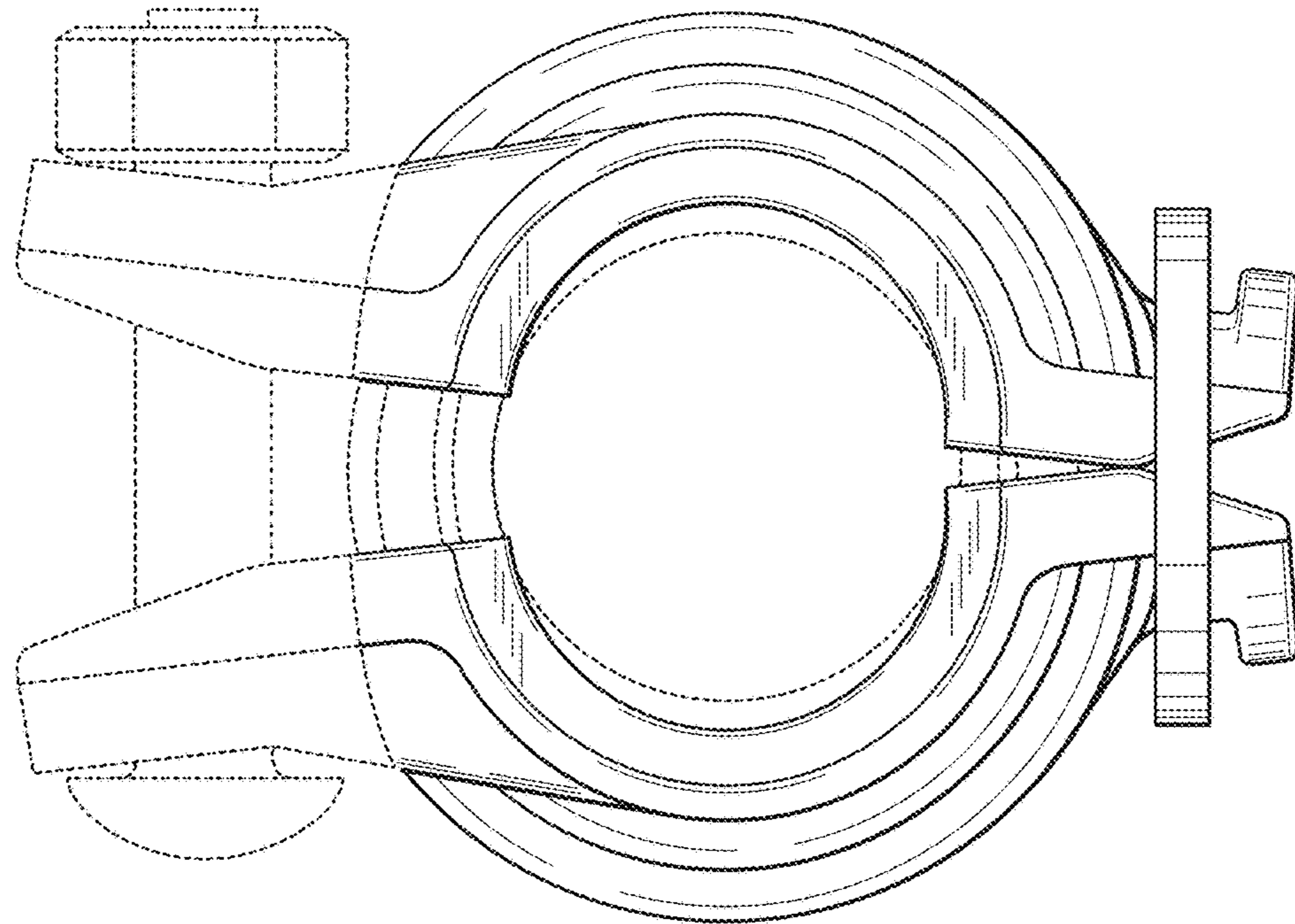
**FIG. 2**



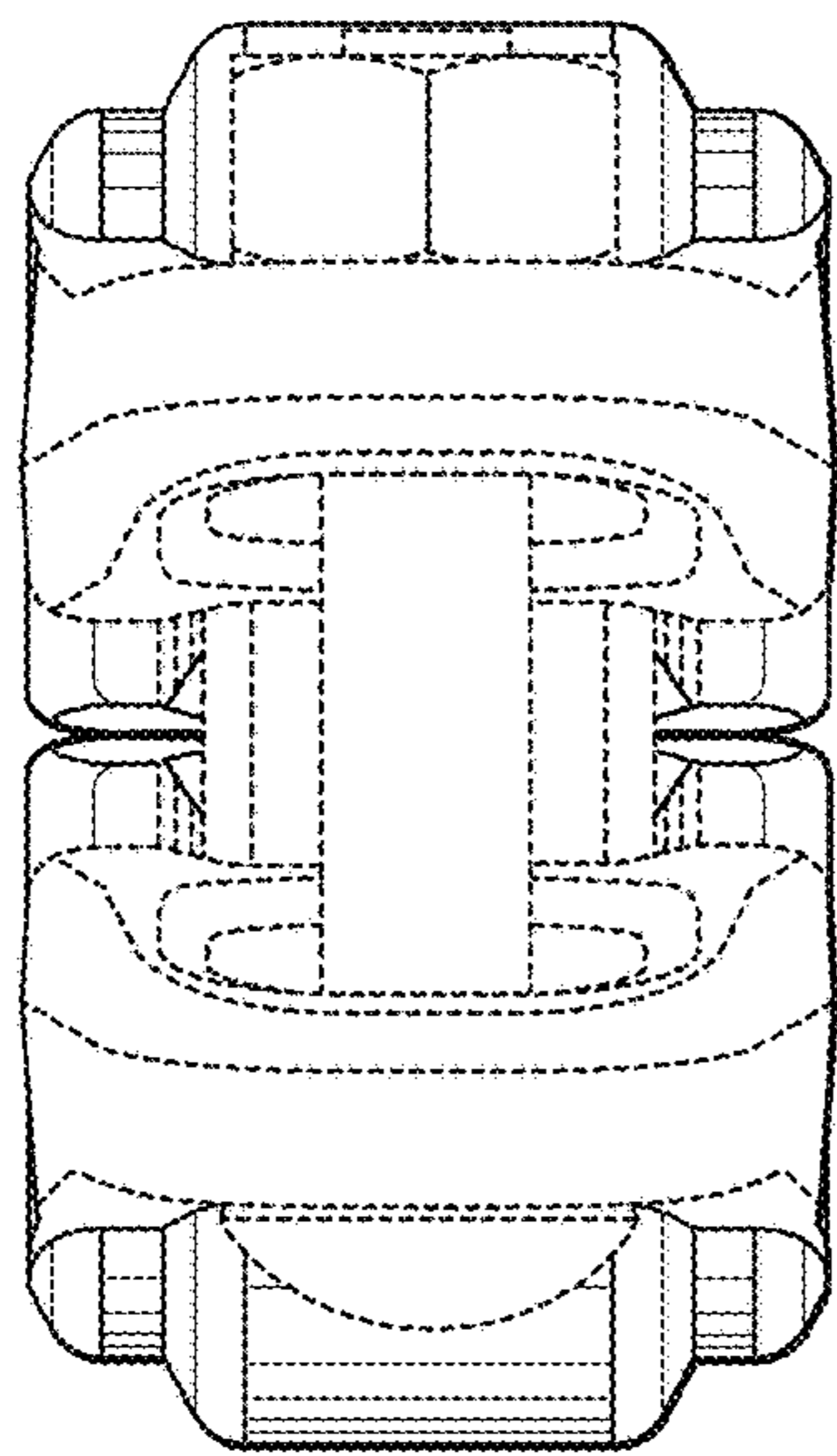
**FIG. 3**



**FIG. 4**



**FIG. 5**



**FIG. 6**

