



US00D846713S

(12) **United States Design Patent**  
**Bancroft et al.**

(10) **Patent No.:** **US D846,713 S**  
(45) **Date of Patent:** **\*\* Apr. 23, 2019**

- (54) **PIPE COUPLING**
- (71) Applicant: **Victaulic Company**, Easton, PA (US)
- (72) Inventors: **Philip Wayne Bancroft**, Belvidere, NJ (US); **Matthew A. Bowman**, Palmer, PA (US); **Kathryn E. Yovanovich**, Nazareth, PA (US)
- (73) Assignee: **Victaulic Company**, Easton, PA (US)
- (\*\*) Term: **15 Years**
- (21) Appl. No.: **29/646,166**
- (22) Filed: **May 2, 2018**

- 4,966,395 A \* 10/1990 Hendrickson ..... F16L 17/04  
285/112
- D438,783 S 3/2001 Elliott
- 7,290,805 B2 \* 11/2007 Wu ..... F16L 23/06  
285/364
- D570,458 S \* 6/2008 Gibb ..... D23/262
- D577,423 S \* 9/2008 Dole ..... D23/265
- D583,444 S 12/2008 Nagle
- D590,925 S 4/2009 Nagle
- D597,635 S 8/2009 Dole
- D598,076 S 8/2009 Dole
- D600,326 S 9/2009 Gibb
- D616,533 S 9/2009 Bowman
- D618,312 S 6/2010 Madara

(Continued)

*Primary Examiner* — Eric L Goodman  
*Assistant Examiner* — Amy C Wierenga  
(74) *Attorney, Agent, or Firm* — Ballard Spahr LLP

**Related U.S. Application Data**

- (62) Division of application No. 29/579,337, filed on Sep. 29, 2016, now Pat. No. Des. 823,443.
- (51) **LOC (11) Cl.** ..... **23-01**
- (52) **U.S. Cl.**  
USPC ..... **D23/262**
- (58) **Field of Classification Search**  
USPC ..... D23/259, 262, 265; D8/249, 382,  
D8/394–397; 285/325–327; 251/146,  
251/147, 148, 149, 150, 151, 152  
CPC ..... F16L 2201/10; F16L 37/09; F16L 23/036;  
F16L 23/18; F16L 21/02; F16L 21/06;  
F16L 21/08; F16L 17/00; F16L 17/04  
See application file for complete search history.

(57) **CLAIM**

We claim the ornamental design for a pipe coupling, as shown and described.

**DESCRIPTION**

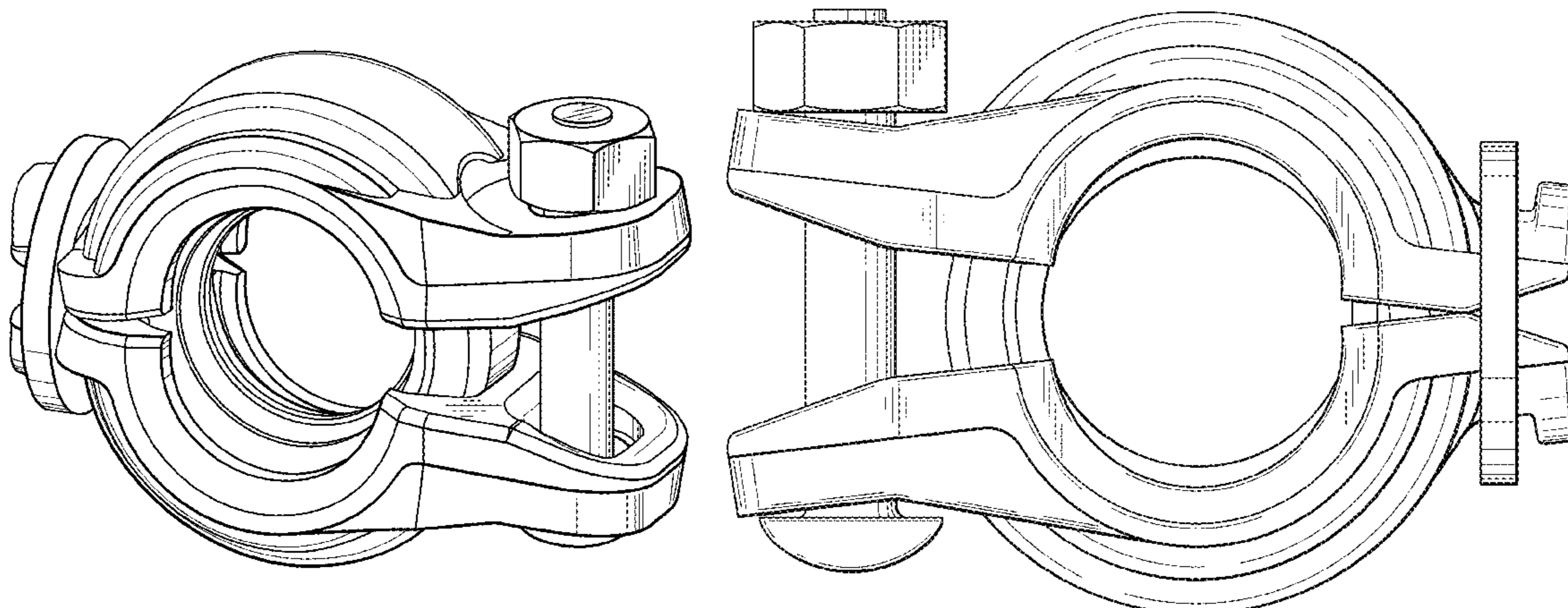
FIG. 1 is an isometric view of a pipe coupling showing our new design;  
FIG. 2 is a top view of the design for the pipe coupling shown in FIG. 1;  
FIG. 3 is a bottom view of the design for the pipe coupling shown in FIG. 1;  
FIG. 4 is a left side view of the design for the pipe coupling shown in FIG. 1, the right side view being a mirror image thereof;  
FIG. 5 is a front view of the design for the pipe coupling shown in FIG. 1; and,  
FIG. 6 is a rear view of the design for the pipe coupling shown in FIG. 1.  
The broken lines shown in the drawings illustrate portions of the pipe coupling that form no part of the claim.

(56) **References Cited**

**U.S. PATENT DOCUMENTS**

- 2,377,510 A \* 6/1945 Newell ..... F16L 17/04  
277/616
- D142,057 S \* 8/1945 Baxter ..... D23/265
- D189,229 S \* 11/1960 Bowne ..... D23/265
- D283,486 S 4/1986 Fogel
- 4,611,839 A \* 9/1986 Rung ..... F16L 17/04  
24/279

**1 Claim, 4 Drawing Sheets**



(56)

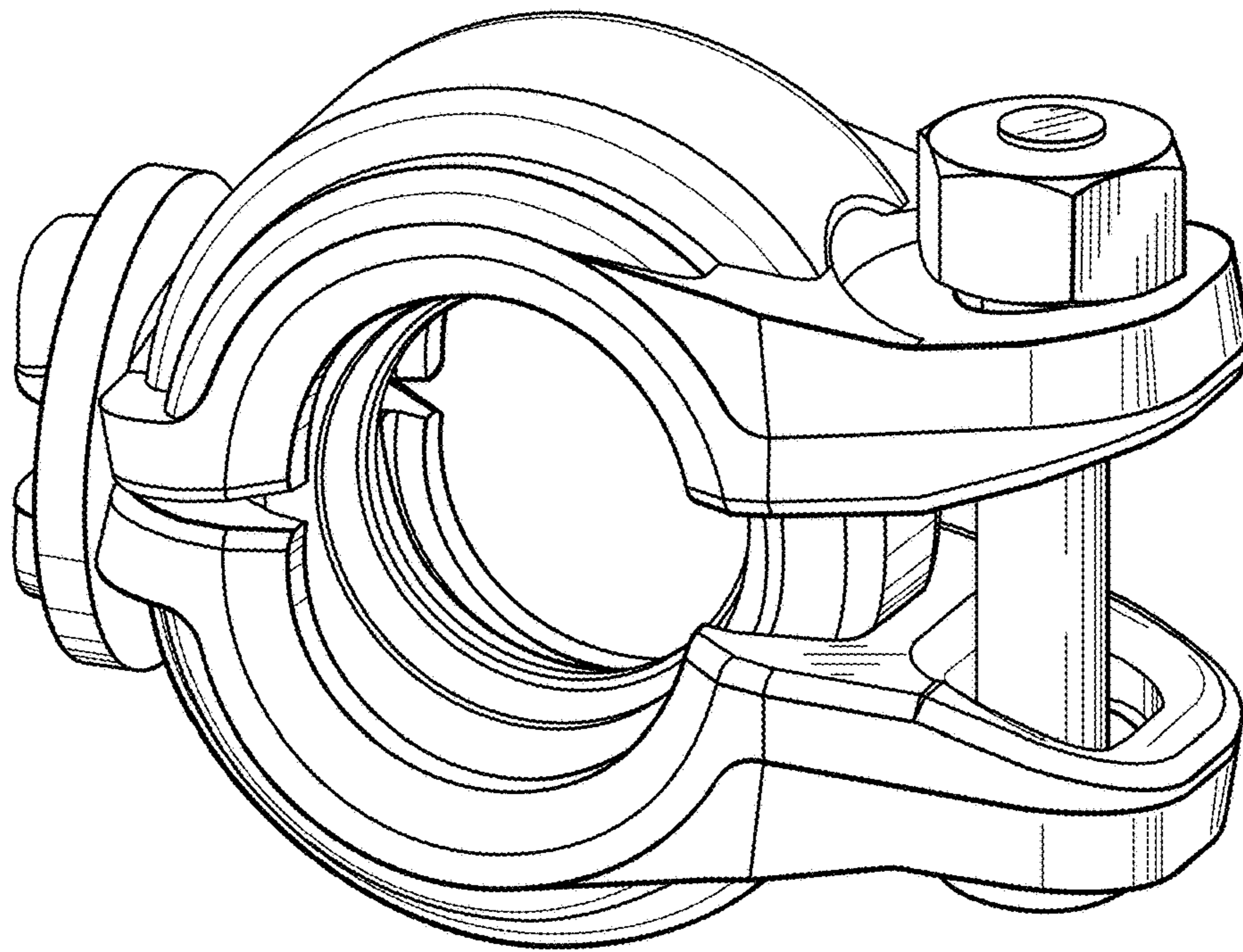
**References Cited**

U.S. PATENT DOCUMENTS

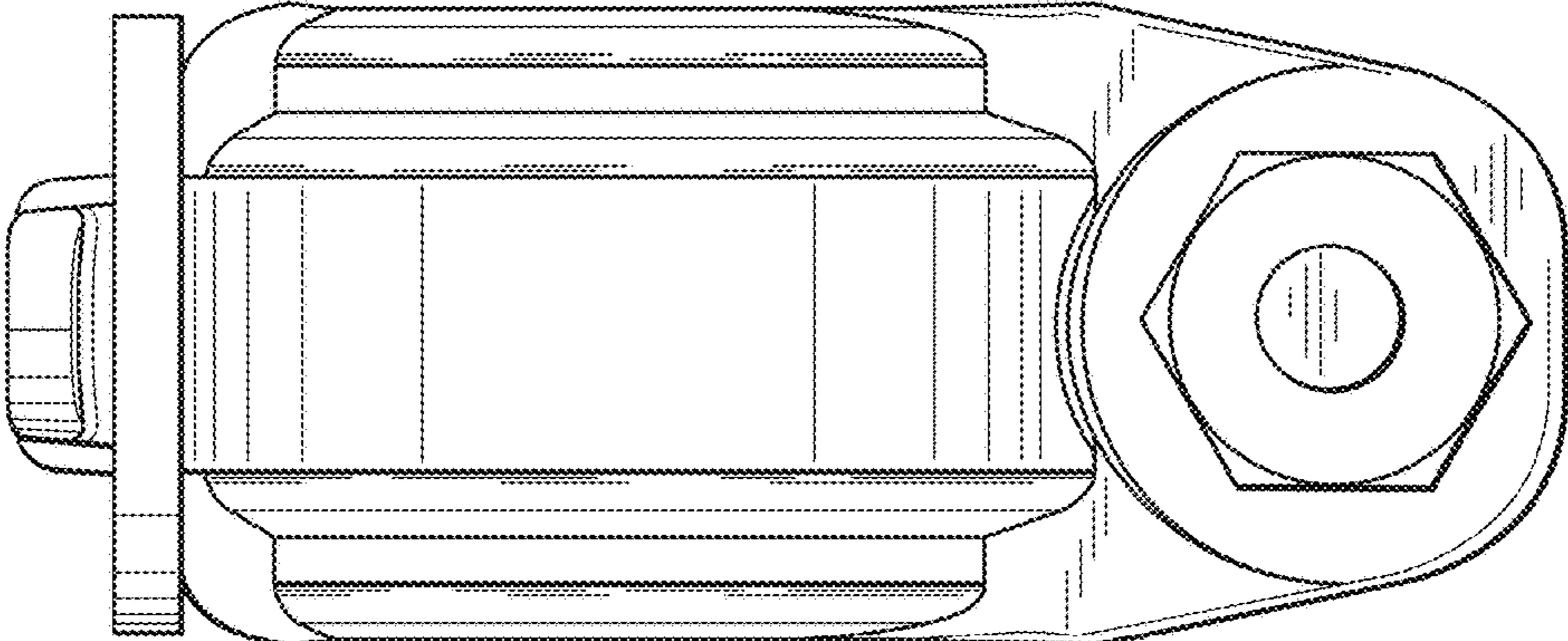
D625,784	S	10/2010	Bowman	
D625,785	S	10/2010	Madara	
D625,786	S	10/2010	Bowman	
D625,788	S	10/2010	Madara	
D626,200	S	10/2010	Bowman	
D629,078	S	12/2010	Dole	
D629,080	S	12/2010	Dole	
D680,630	S	4/2013	Beagen, Jr.	
8,550,502	B2 *	10/2013	Vandal	..... F16L 17/04 285/112
D700,835	S	3/2014	Langlois	
D711,730	S *	8/2014	McKiernan	..... D8/396
9,039,046	B2 *	5/2015	Beagen, Jr.	..... F16L 17/025 285/367
D735,025	S *	7/2015	Mathien	..... D8/396
D794,440	S	8/2017	Papafagos	
2007/0138351	A1 *	6/2007	Wu	..... F16L 23/06 248/74.2
2012/0256415	A1	10/2012	Dole	
2014/0327238	A1	11/2014	Bowman	
2017/0328500	A1 *	11/2017	Bowman	..... F16L 23/036

\* cited by examiner

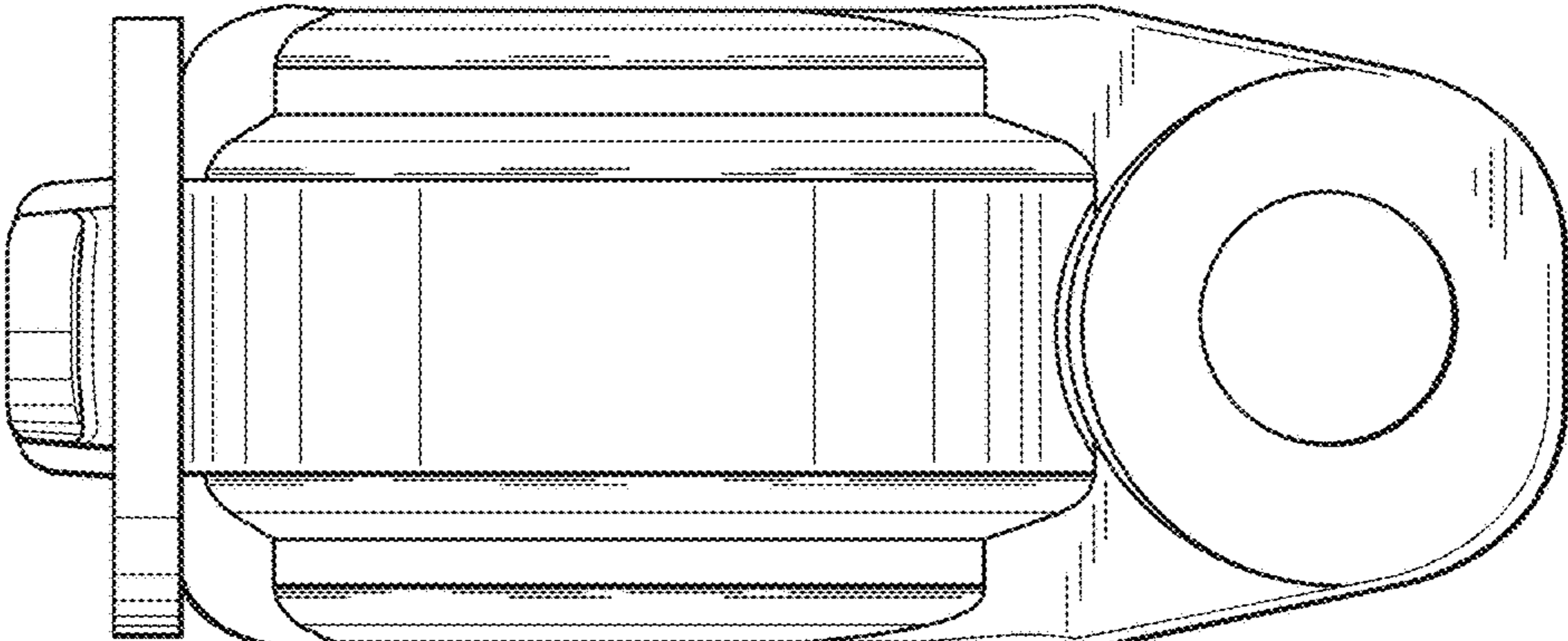
***FIG. 1***



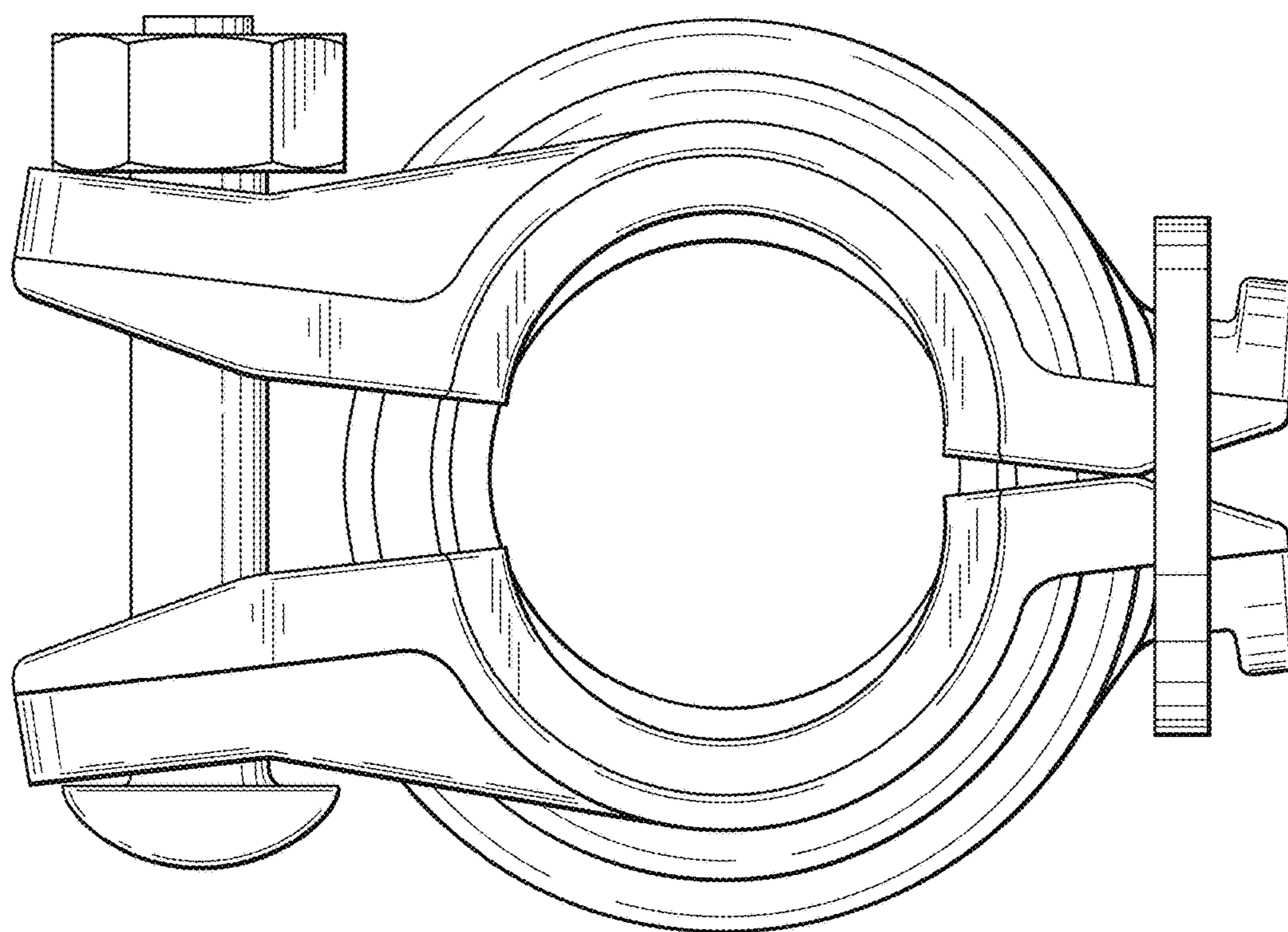
**FIG. 2**



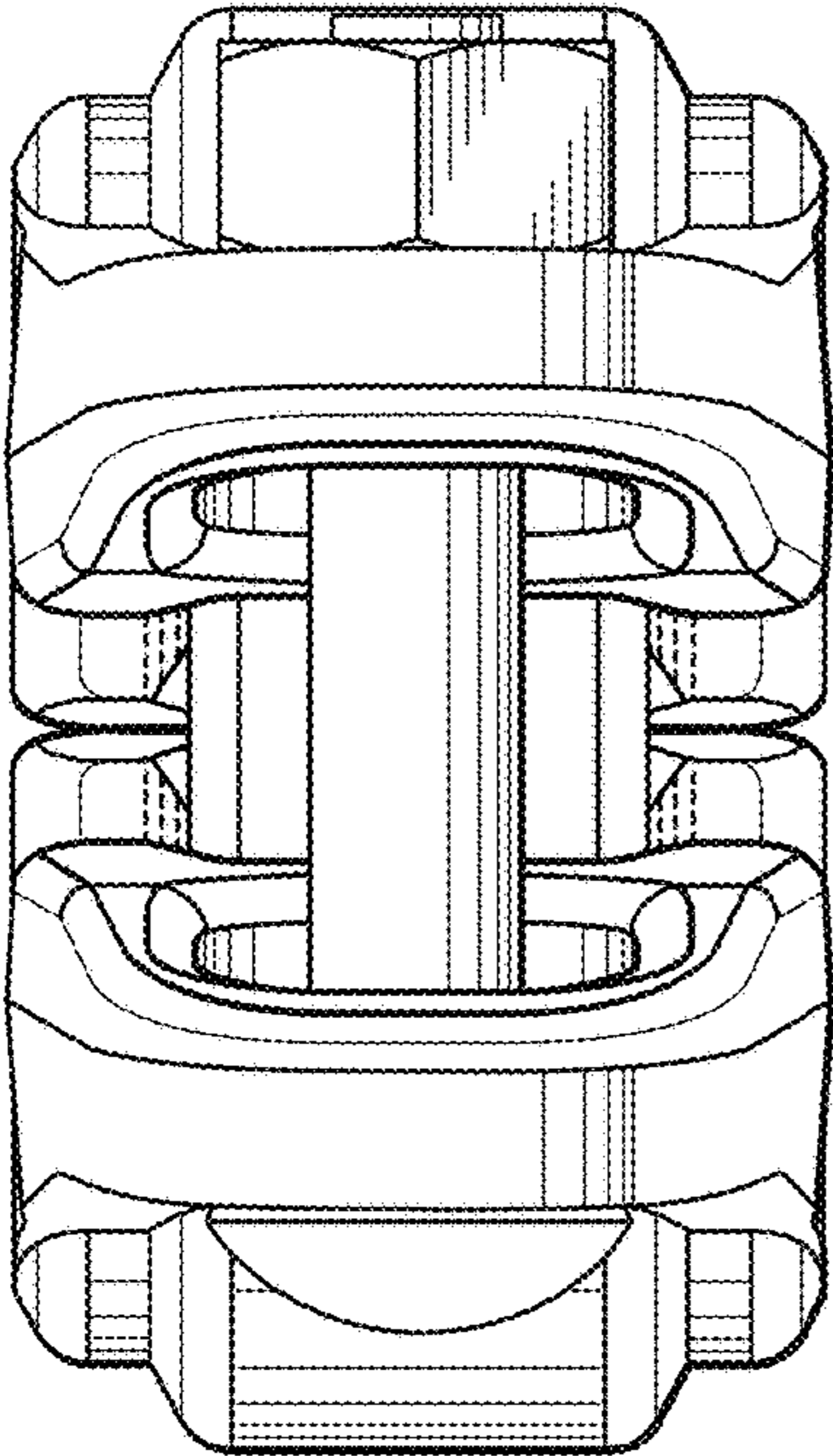
**FIG. 3**



**FIG. 4**



**FIG. 5**



**FIG. 6**

