



US00D846704S

(12) **United States Design Patent**
Garland

(10) **Patent No.:** **US D846,704 S**

(45) **Date of Patent:** **** Apr. 23, 2019**

(54) **FAUCET**

(71) Applicant: **DELTA FAUCET COMPANY,**
Indianapolis, IN (US)

(72) Inventor: **Celine Kwok Garland,** Zionsville, IN
(US)

(73) Assignee: **DELTA FAUCET COMPANY,**
Indianapolis, IN (US)

(**) Term: **15 Years**

(21) Appl. No.: **29/638,458**

(22) Filed: **Feb. 27, 2018**

(51) **LOC (11) Cl.** **23-01**

(52) **U.S. Cl.**
USPC **D23/238**

(58) **Field of Classification Search**
USPC D23/238-243, 249, 250, 252, 254, 255,
D23/257; D8/308
CPC Y10T 137/9464
See application file for complete search history.

(56) **References Cited**

U.S. PATENT DOCUMENTS

D596,711 S * 7/2009 Sieger D23/238
D659,798 S * 5/2012 Flowers D23/238

D664,629 S * 7/2012 Tang D23/238
D665,880 S * 8/2012 Flowers D23/252
D692,105 S * 10/2013 Garland D23/238
D767,725 S * 9/2016 Eads D23/238
D769,418 S * 10/2016 Eads D23/238
D797,249 S * 9/2017 Downey D23/252

* cited by examiner

Primary Examiner — Robert A Delehanty

(74) *Attorney, Agent, or Firm* — Edgar A. Zarins; Nirav
D. Parikh

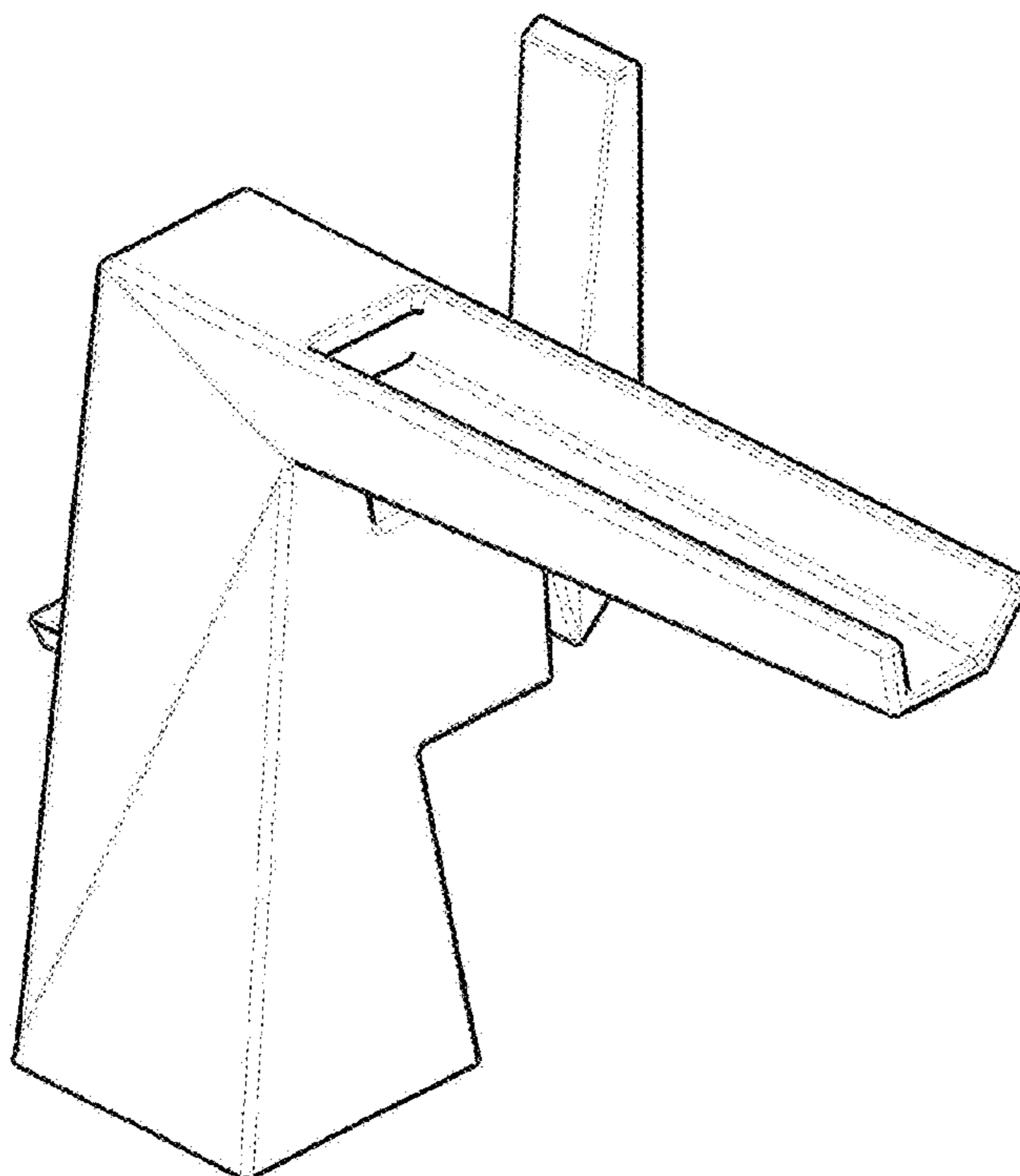
(57) **CLAIM**

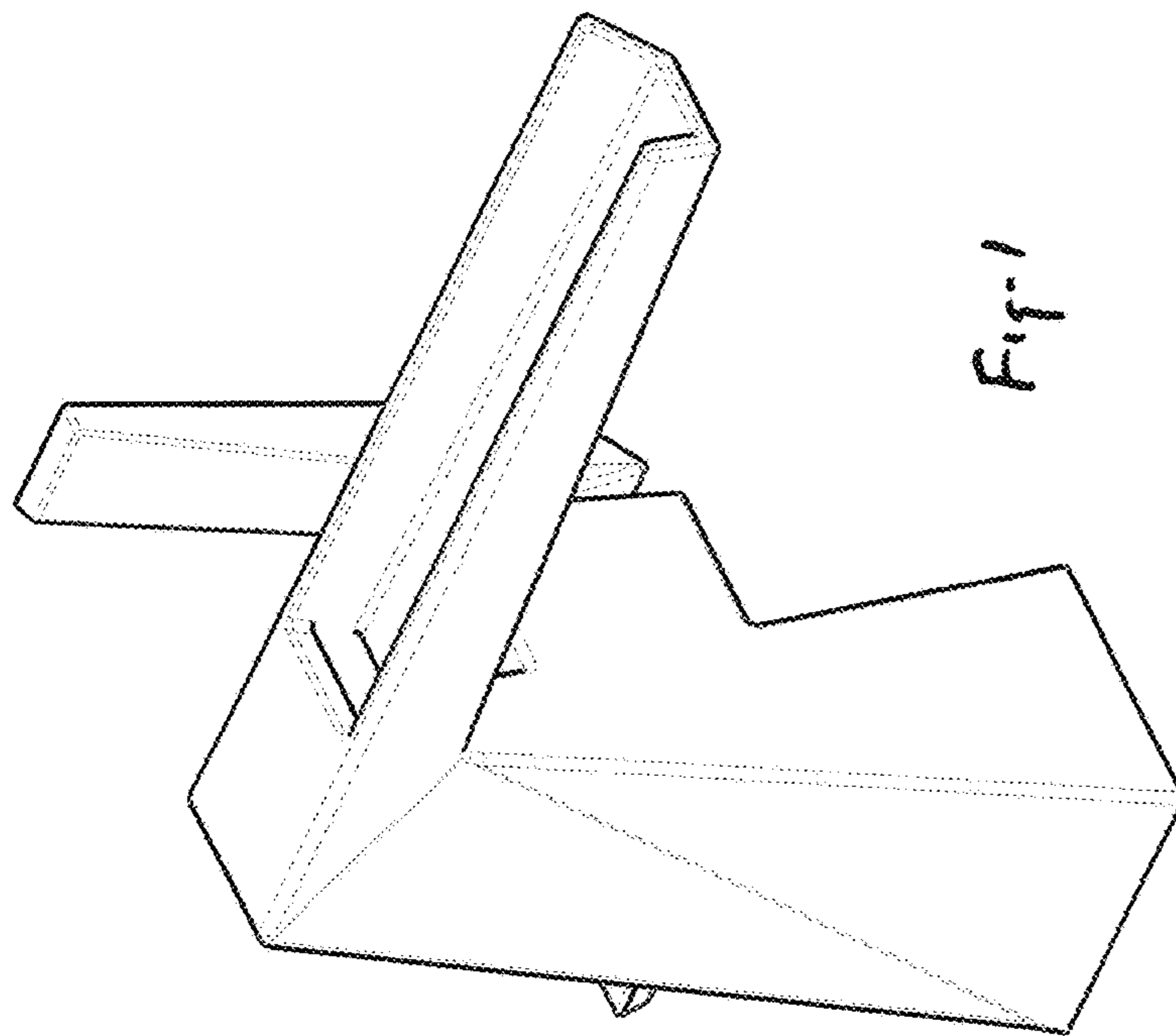
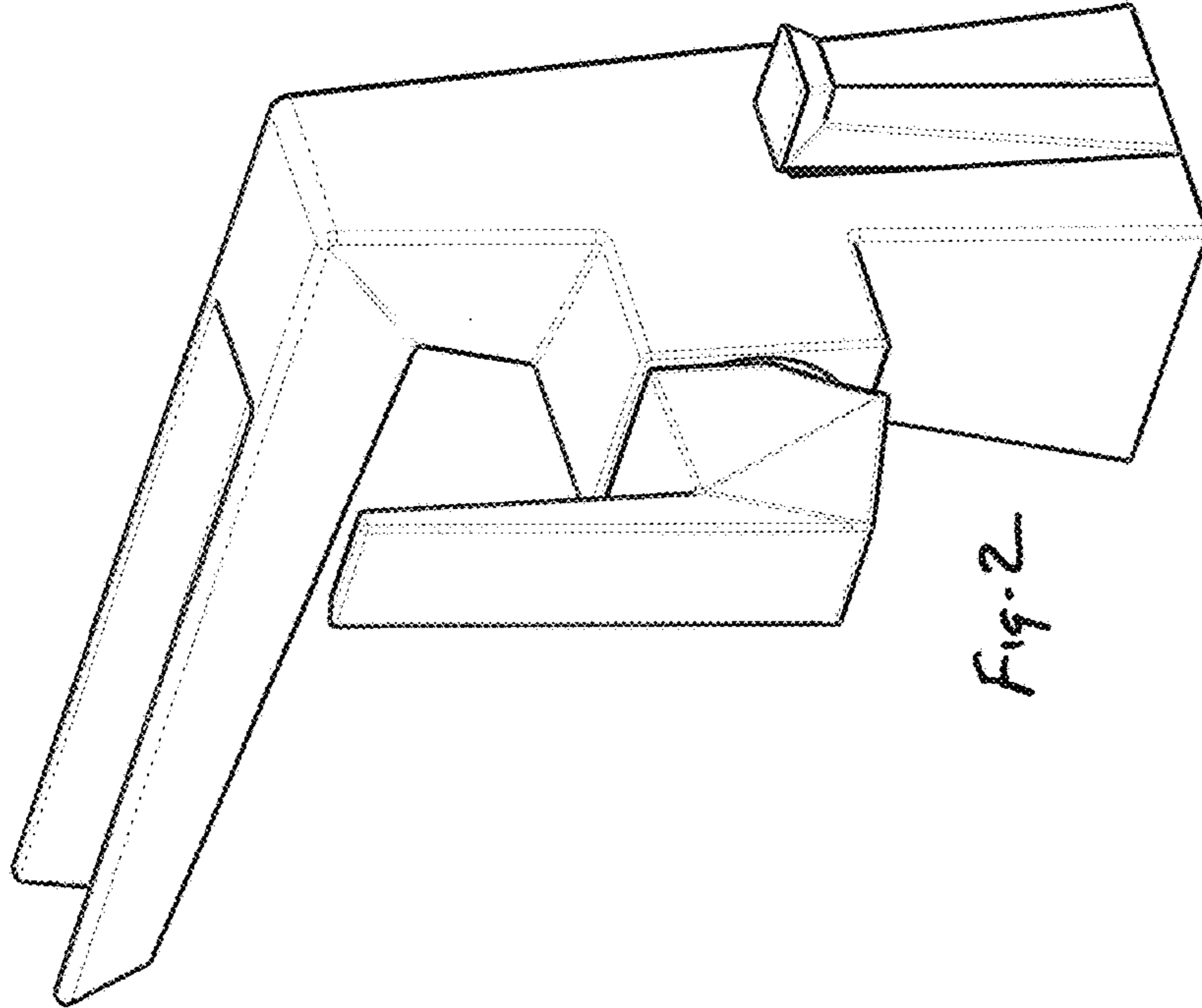
The ornamental design for a faucet, as shown and described.

DESCRIPTION

FIG. 1 is a first perspective view of a faucet showing my new design;
FIG. 2 is a second perspective view thereof;
FIG. 3 is a front elevational view thereof;
FIG. 4 is a left side view thereof;
FIG. 5 is a rear view thereof;
FIG. 6 is a right side view thereof;
FIG. 7 is a top plan view thereof; and,
FIG. 8 is a bottom view thereof.

1 Claim, 4 Drawing Sheets





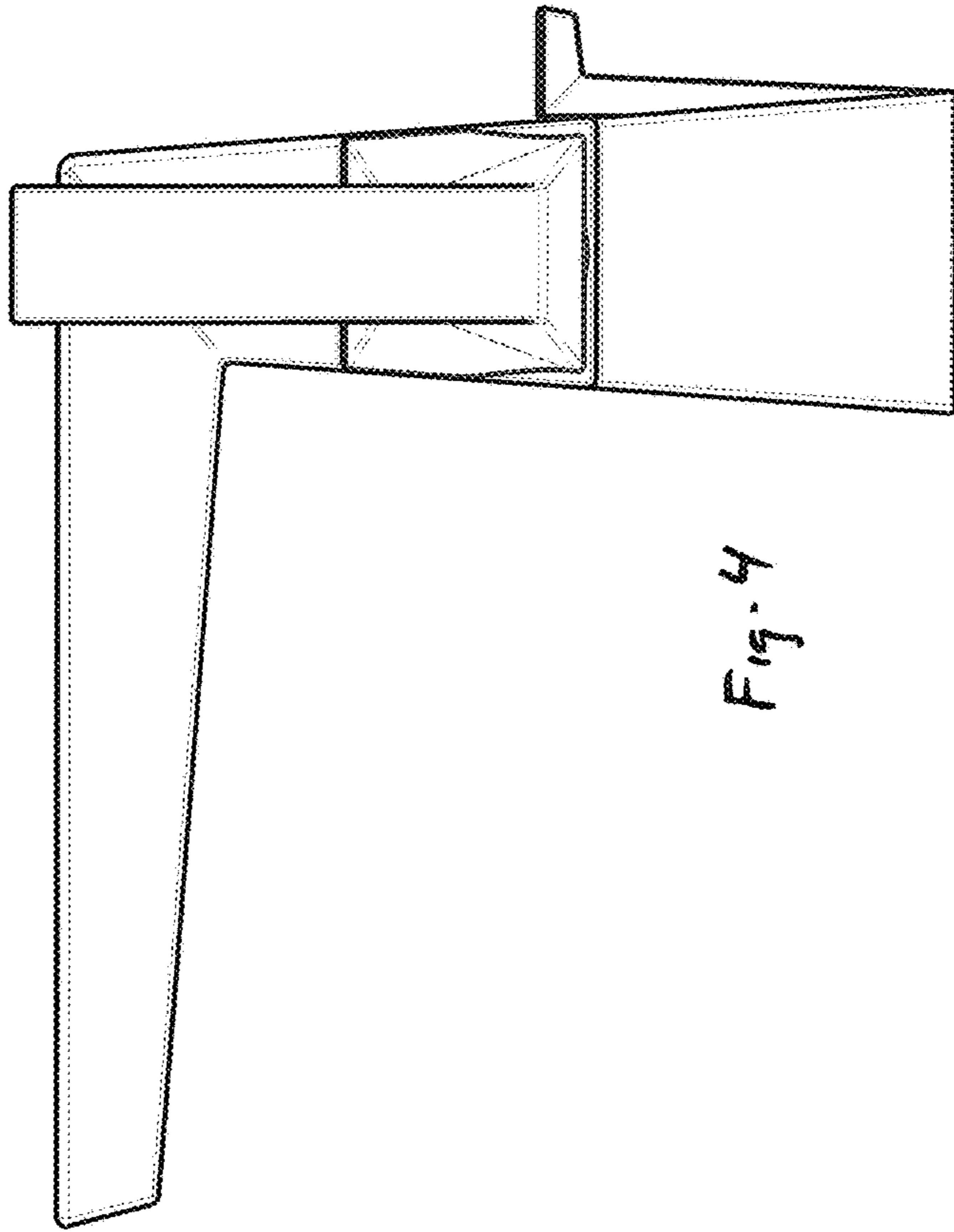


Fig. 4

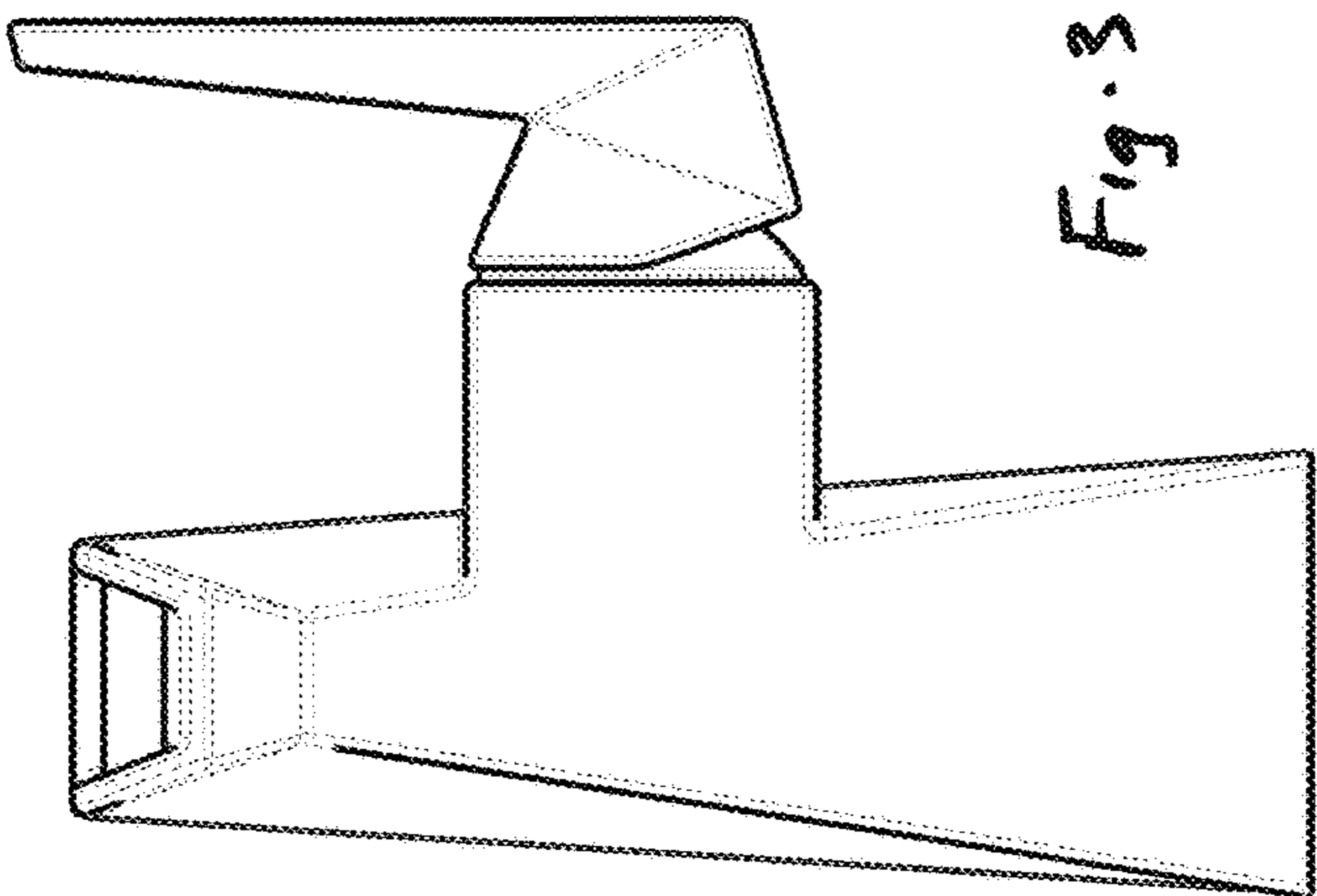


Fig. 3

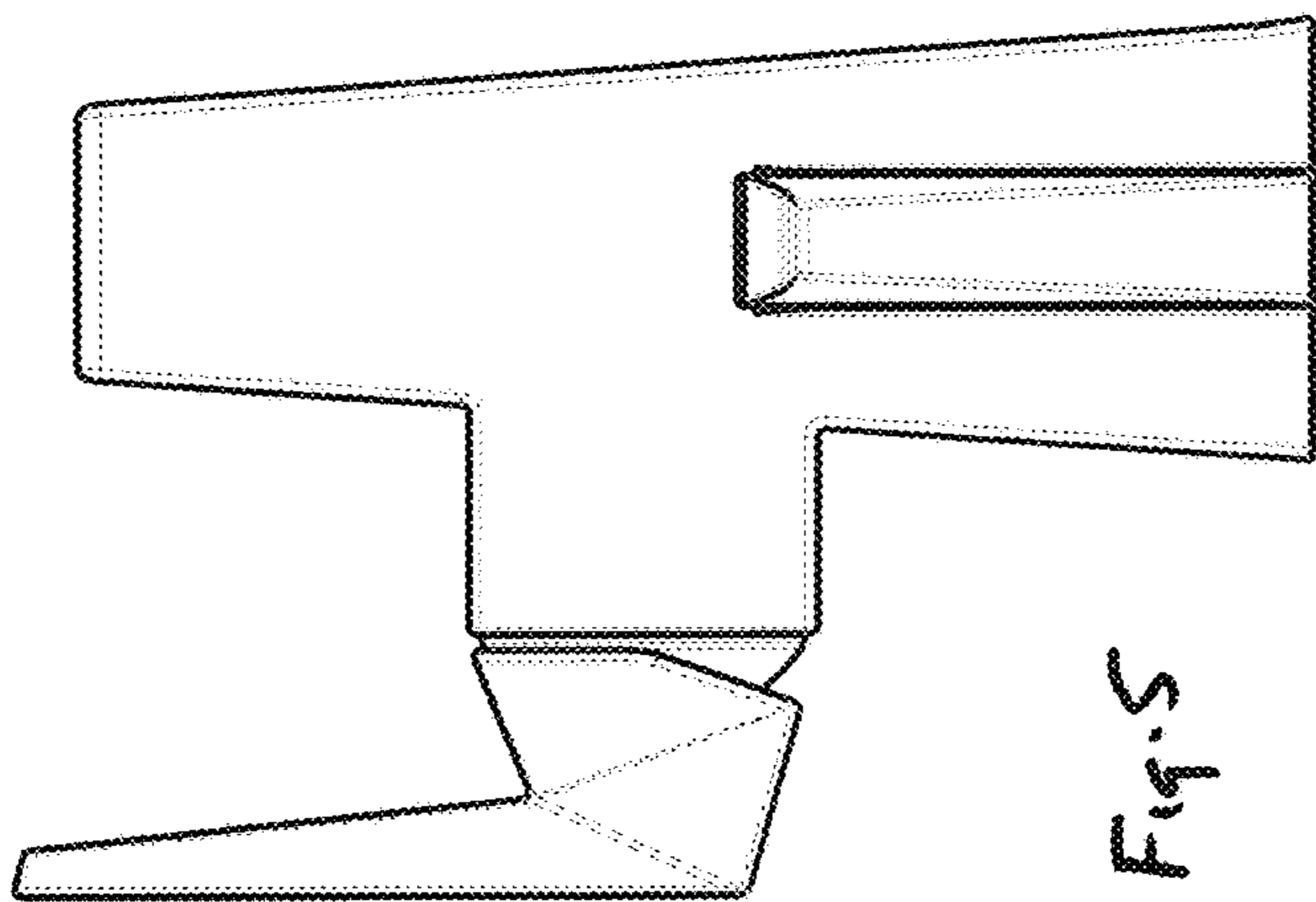
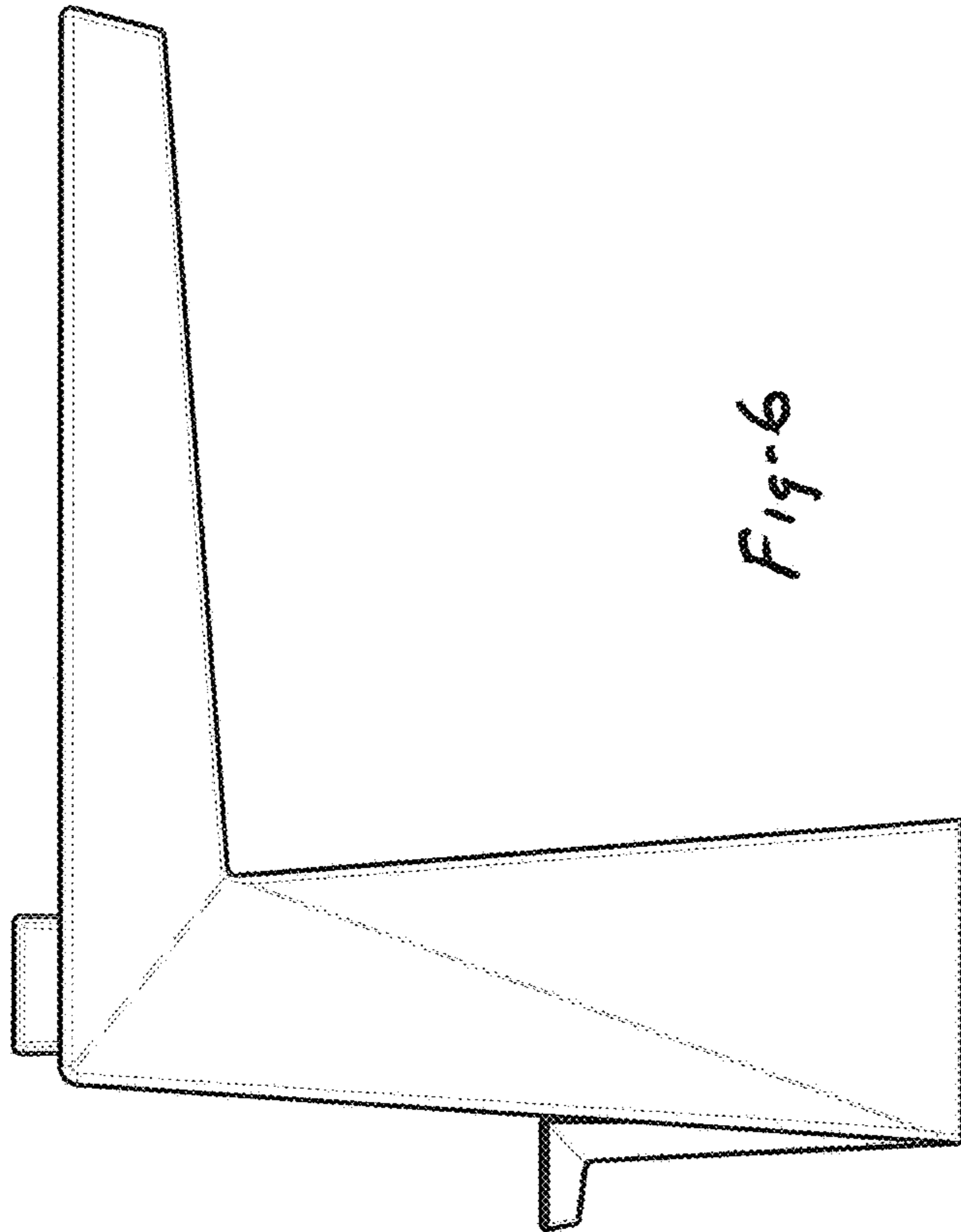


Fig. 8

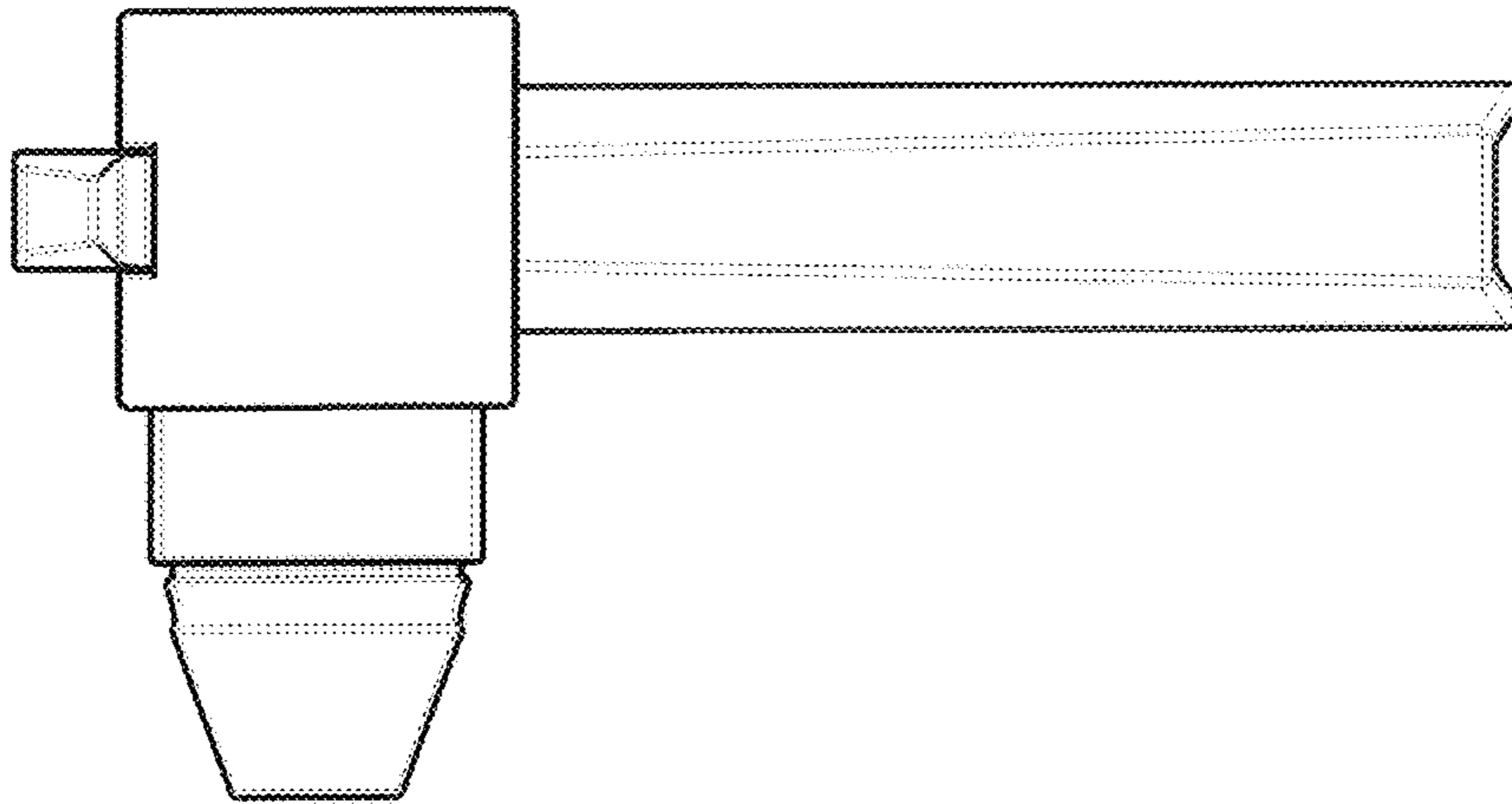


Fig. 7

