



US00D846703S

(12) **United States Design Patent**  
**Garland**

(10) **Patent No.:** **US D846,703 S**

(45) **Date of Patent:** **\*\* Apr. 23, 2019**

(54) **FAUCET**

(71) Applicant: **DELTA FAUCET COMPANY,**  
Indianapolis, IN (US)

(72) Inventor: **Celine Kwok Garland,** Zionsville, IN  
(US)

(73) Assignee: **DELTA FAUCET COMPANY,**  
Indianapolis, IN (US)

(\*\*) Term: **15 Years**

(21) Appl. No.: **29/638,449**

(22) Filed: **Feb. 27, 2018**

(51) **LOC (11) Cl.** ..... **23-01**

(52) **U.S. Cl.**  
USPC ..... **D23/238**

(58) **Field of Classification Search**  
USPC ..... D23/238-243, 249, 250, 252, 254, 255,  
D23/257; D8/308  
CPC ..... Y10T 137/9464  
See application file for complete search history.

(56) **References Cited**

**U.S. PATENT DOCUMENTS**

D524,424 S \* 7/2006 Schaffeld ..... D23/255  
D659,798 S \* 5/2012 Flowers ..... D23/238

D665,880 S \* 8/2012 Flowers ..... D23/252  
D754,295 S \* 4/2016 Lord ..... D23/238  
D797,249 S \* 9/2017 Downey ..... D23/252  
D810,236 S \* 2/2018 Schoenherr ..... D23/238  
D816,806 S \* 5/2018 Potter ..... D23/255

\* cited by examiner

*Primary Examiner* — Robert A Delehanty

(74) *Attorney, Agent, or Firm* — Edgar A. Zarins; Nirav  
D. Parikh

(57) **CLAIM**

The ornamental design for a faucet, as shown and described.

**DESCRIPTION**

FIG. 1 is a first perspective view of a faucet showing my new design;

FIG. 2 is a second perspective view thereof;

FIG. 3 is a front elevational view thereof;

FIG. 4 is a left side view thereof;

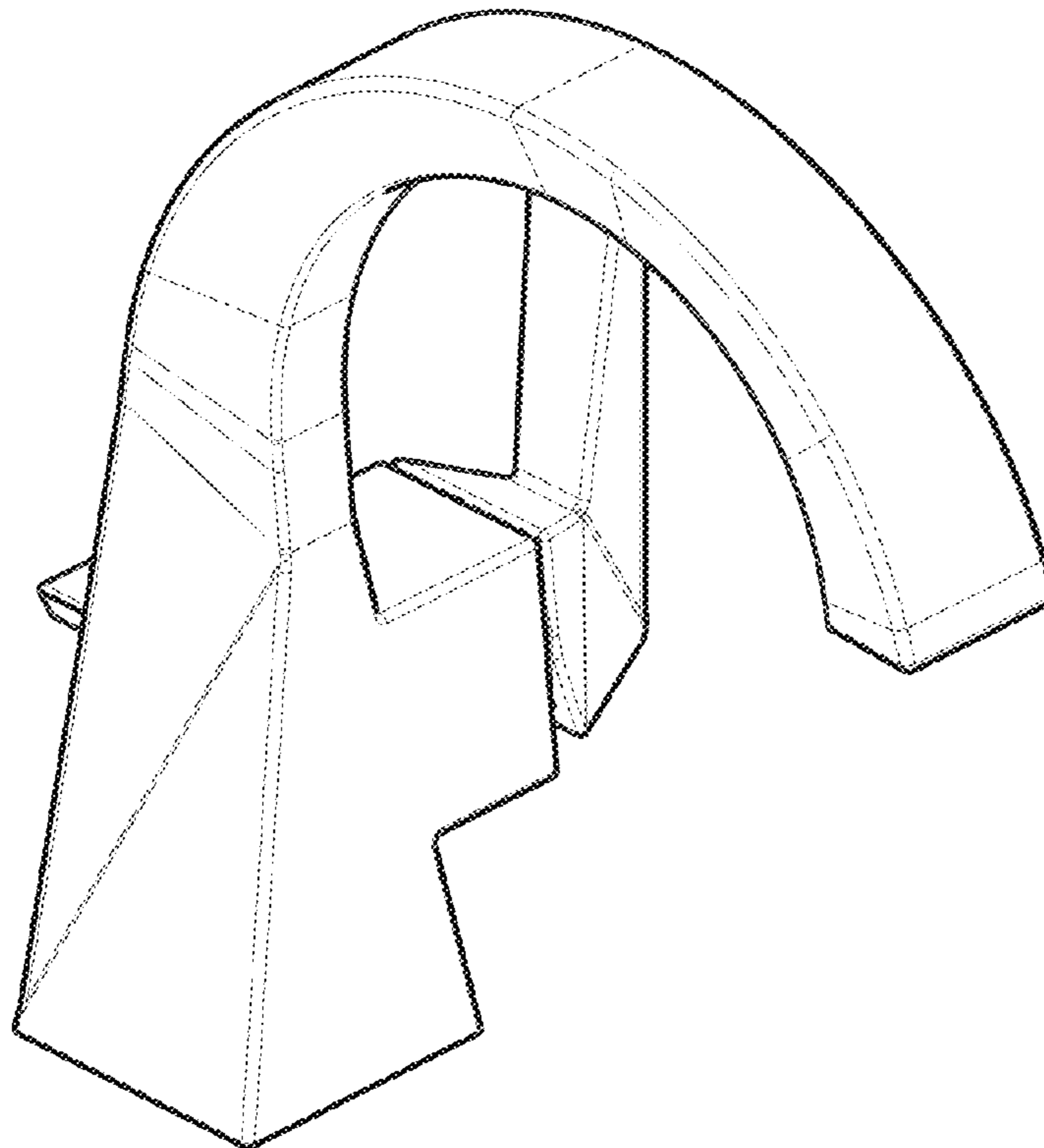
FIG. 5 is a rear view thereof;

FIG. 6 is a right side view thereof;

FIG. 7 is a top plan view thereof; and,

FIG. 8 is a bottom view thereof.

**1 Claim, 4 Drawing Sheets**



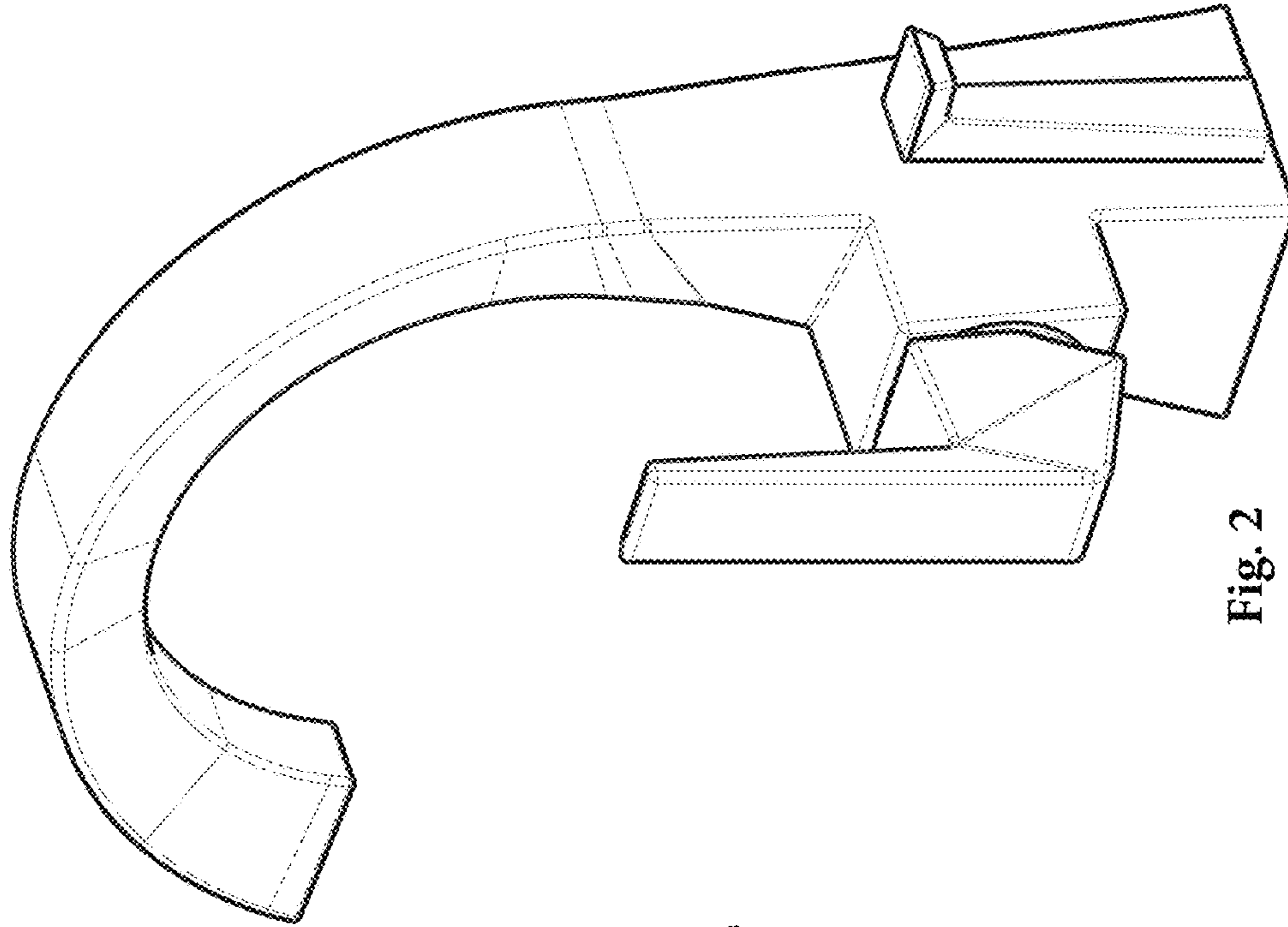


Fig. 2

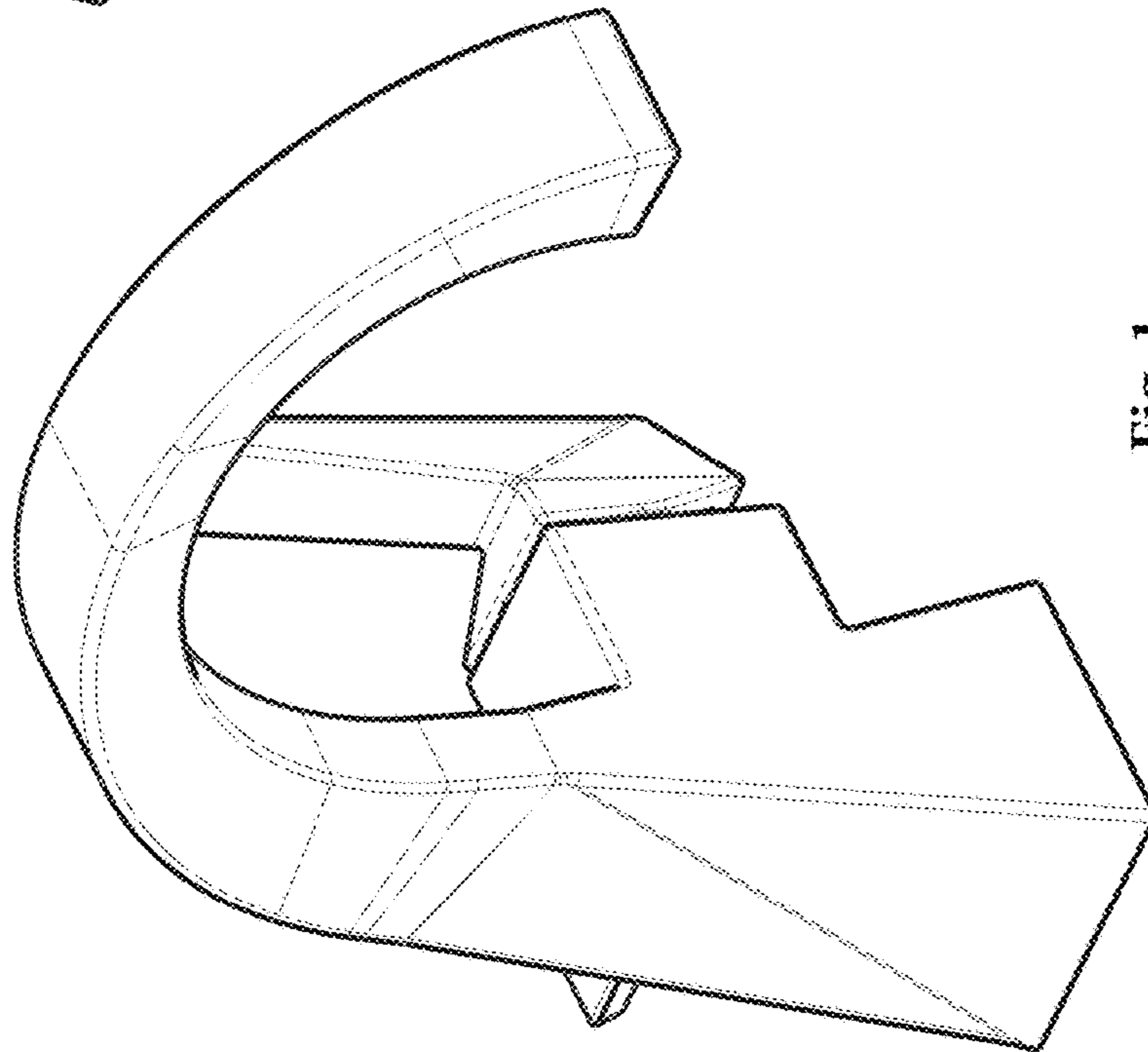


Fig. 1

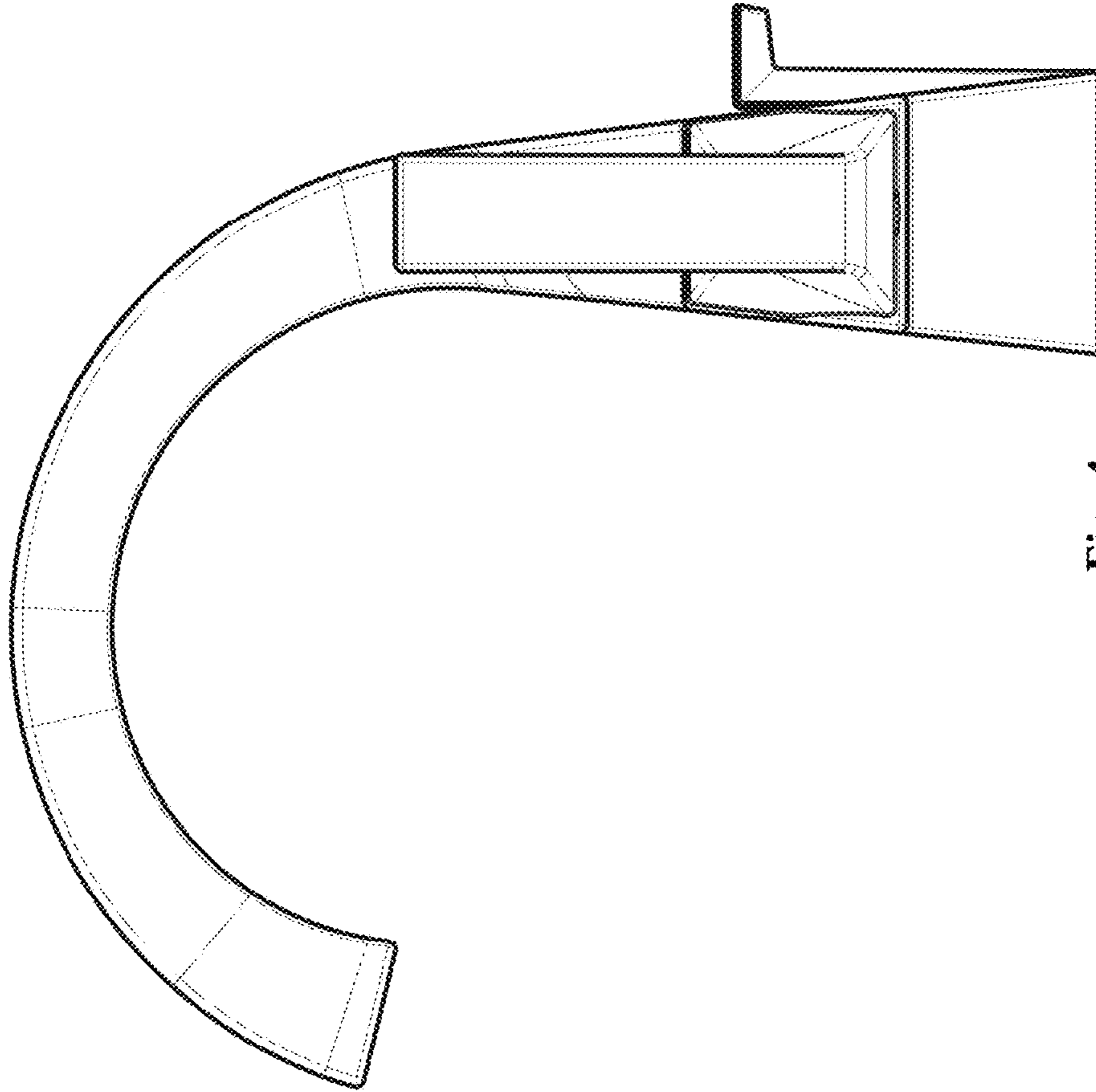


Fig. 4

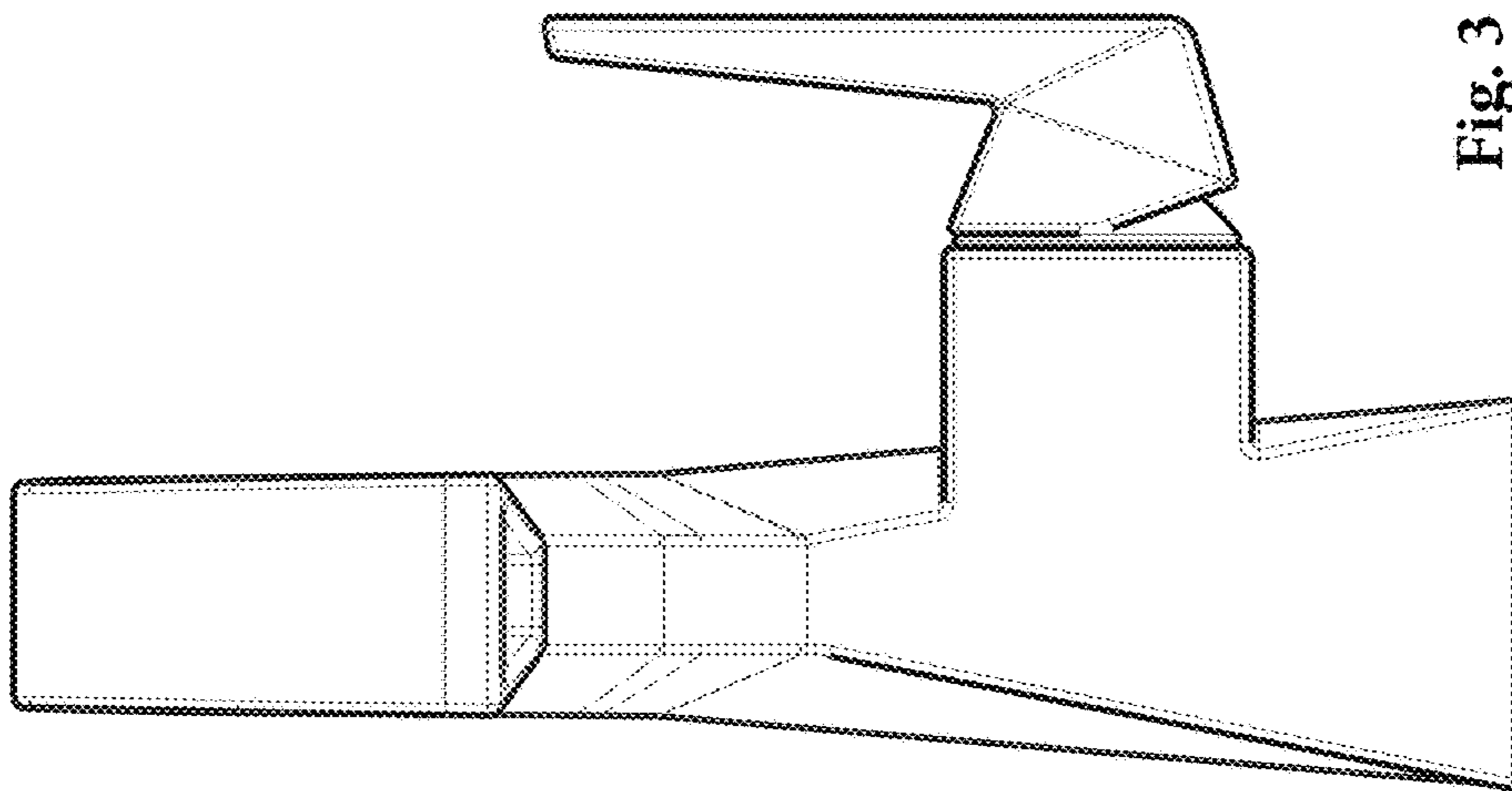


Fig. 3

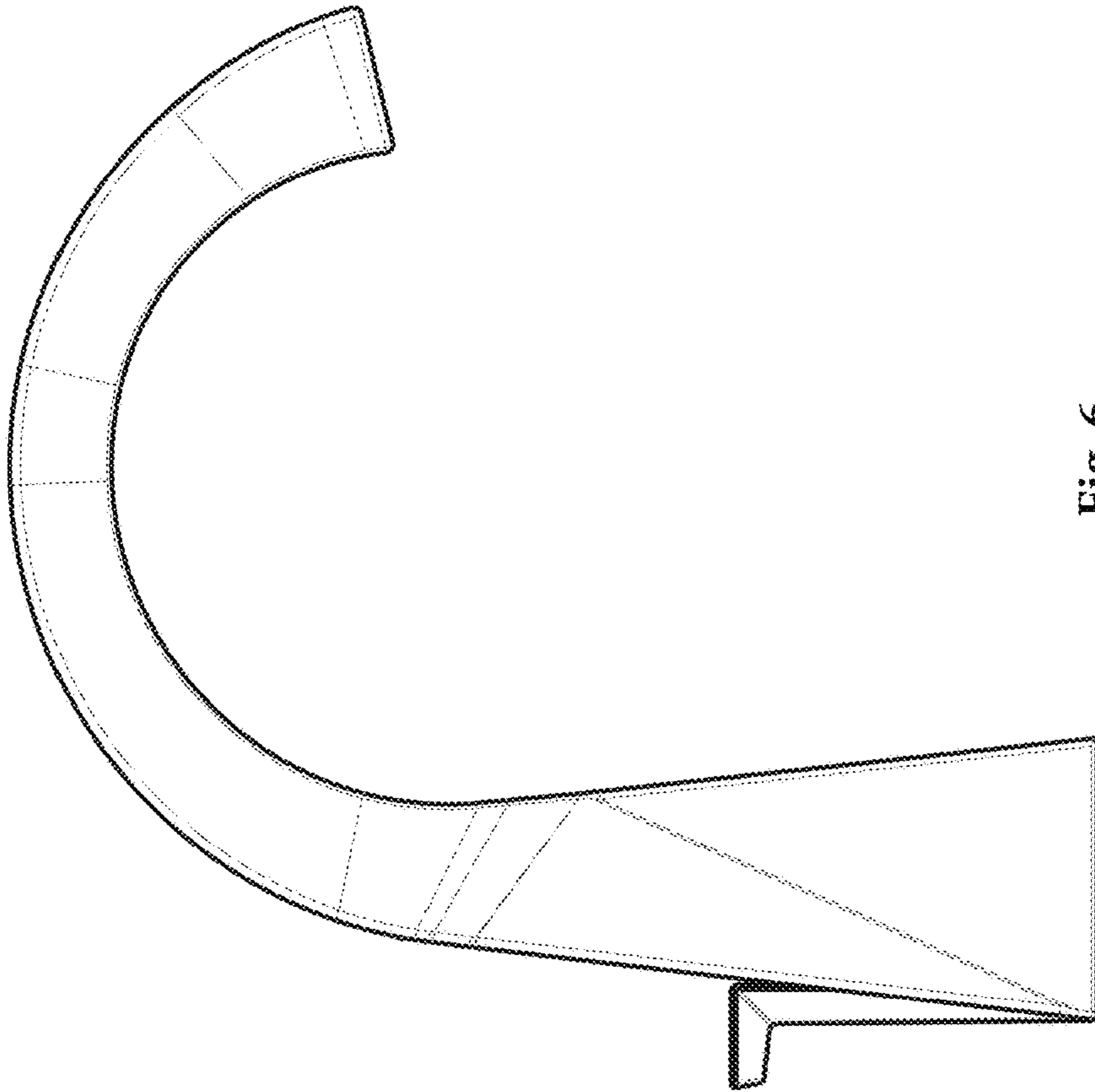


Fig. 6

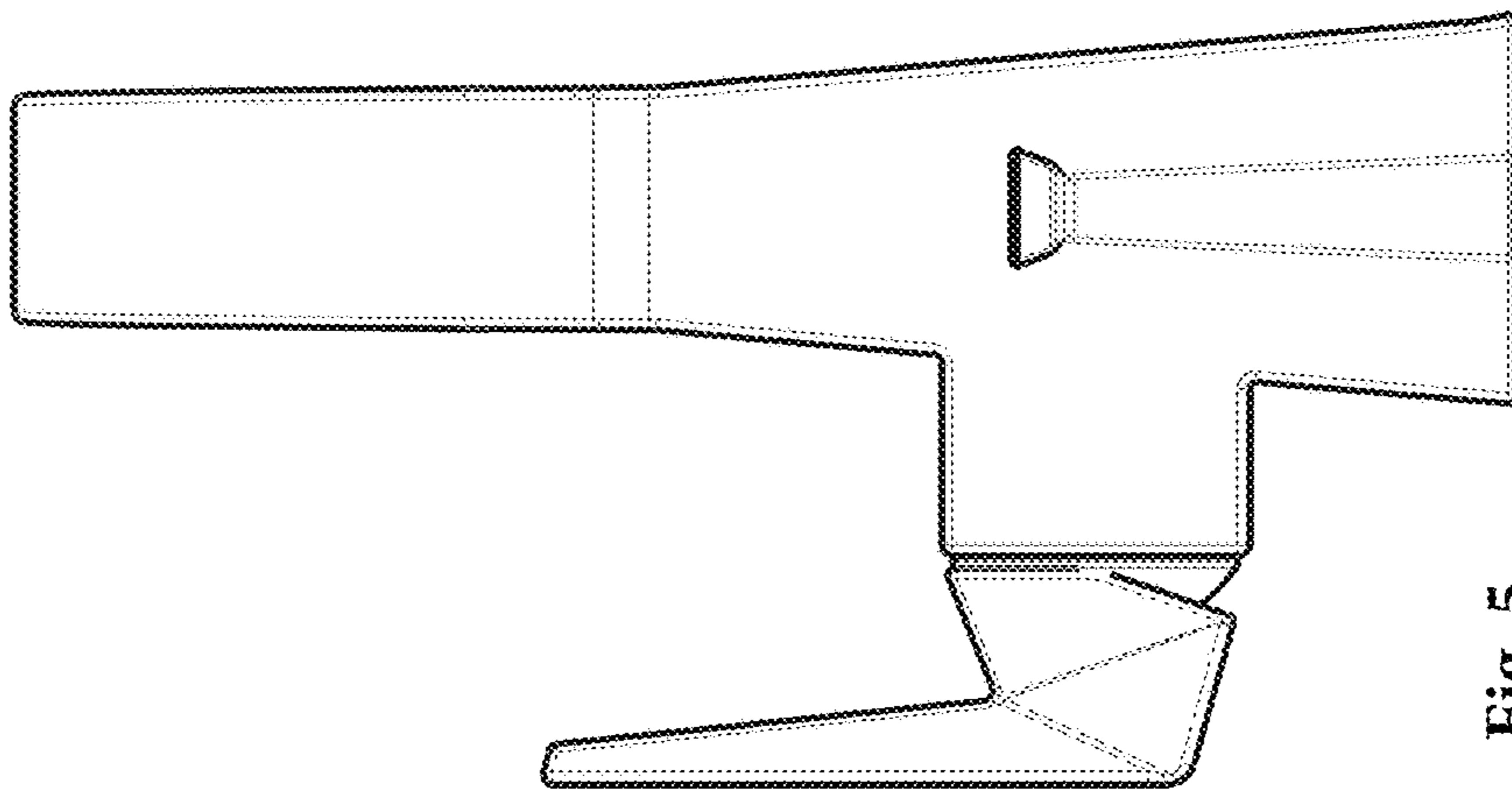


Fig. 5

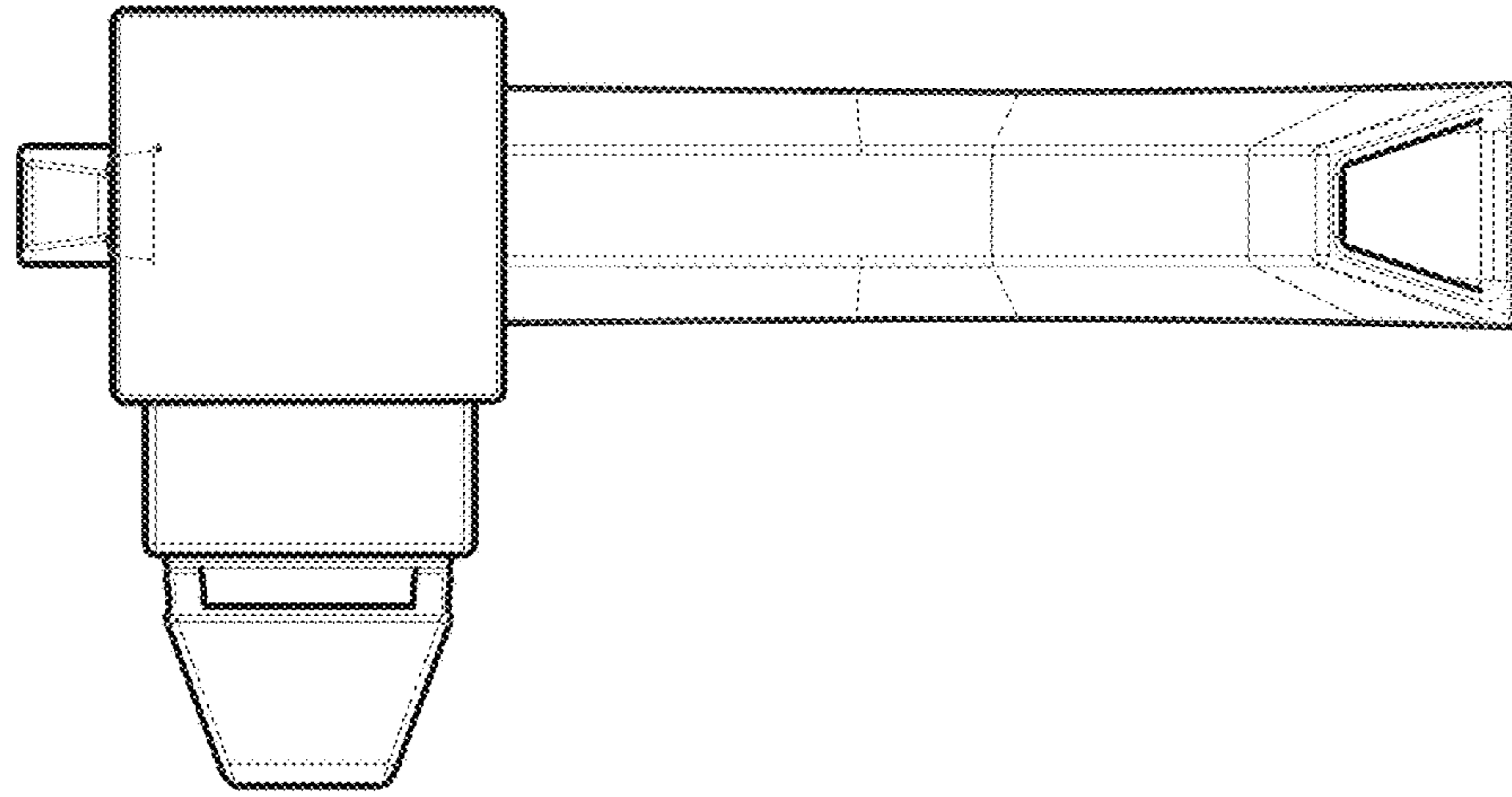


Fig. 8

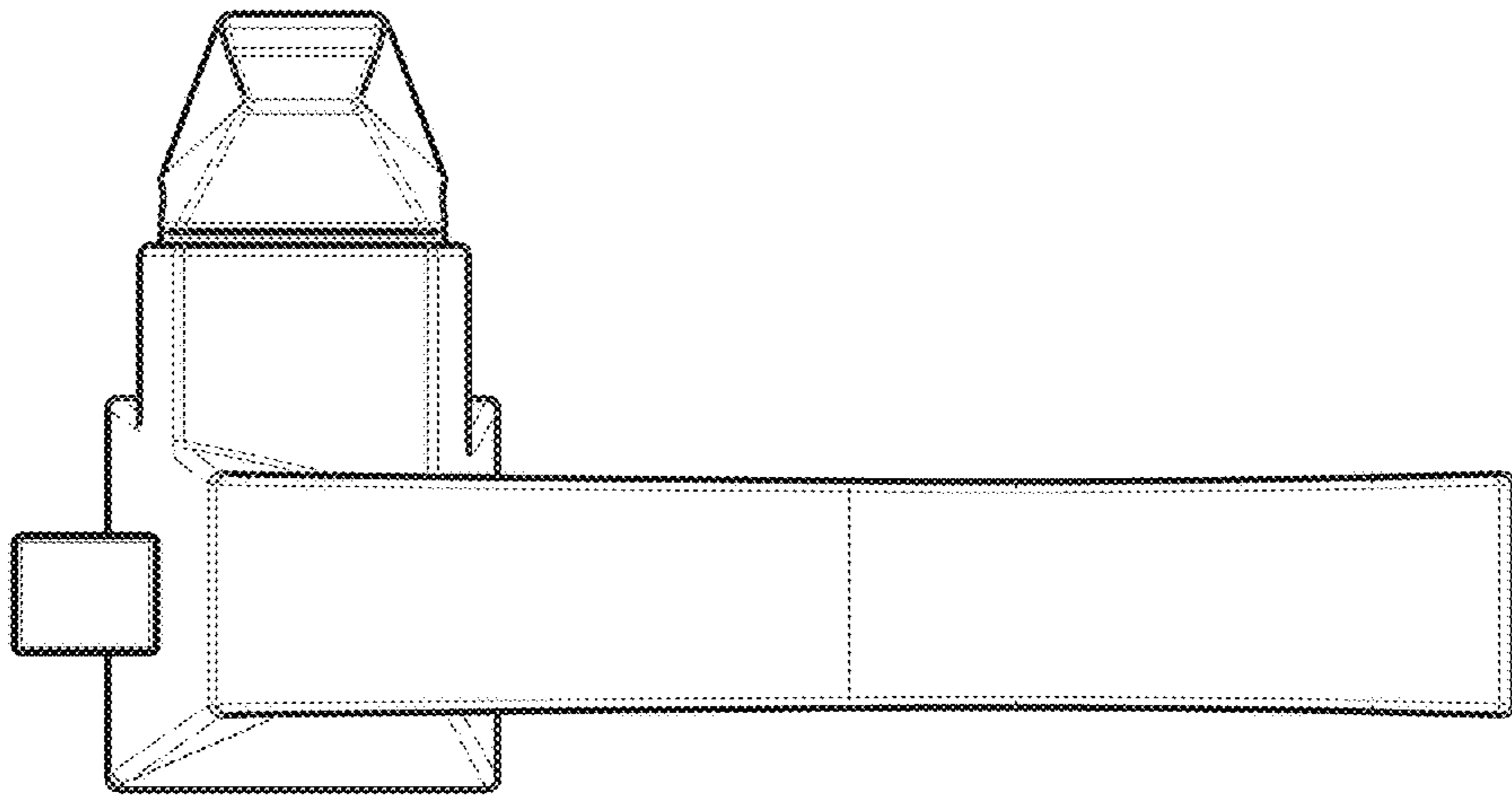


Fig. 7