



US00D846702S

(12) **United States Design Patent** (10) **Patent No.:** **US D846,702 S**
Liu (45) **Date of Patent:** **** Apr. 23, 2019**

(54) **WALL MIXER**

FOREIGN PATENT DOCUMENTS

(71) Applicant: **Phoenix Industries Pty Ltd,**
Bayswater, Victoria (AU)

AU 308198 7/2006
AU 308199 7/2006

(Continued)

(72) Inventor: **Ban Hsi Liu,** Bayswater (AU)

OTHER PUBLICATIONS

(73) Assignee: **Phoenix Industries Pty Ltd,**
Bayswater, Victoria (AU)

TOI Wall Basin/Bath Mixer Set, <http://www.phoenixtapware.com.au/toi-wall-basin-mixer-set180mm>, known at least as early as Oct. 25, 2016, 3 pgs.

(Continued)

(**) Term: **15 Years**

(21) Appl. No.: **29/601,545**

Primary Examiner — Robert A Delehanty

(22) Filed: **Apr. 24, 2017**

(74) *Attorney, Agent, or Firm* — Womble Bond Dickinson (US) LLP

(30) **Foreign Application Priority Data**

(57) **CLAIM**

Oct. 26, 2016 (AU) 201616017
Oct. 26, 2016 (AU) 201616020

The ornamental design for a wall mixer, as shown and described.

(51) **LOC (11) Cl.** **23-01**

DESCRIPTION

(52) **U.S. Cl.**
USPC **D23/238**

The file of this patent contains at least one drawing executed in color. Copies of this patent or patent application publication with color drawing(s) will be provided by the Office upon request and payment of the necessary fee.

(58) **Field of Classification Search**
USPC D23/238, 241–243, 249–250, 252, 255,
D23/257; D08/307–308
CPC E03C 1/04; E03C 1/0401; E03C 1/0402;
E03C 1/0404; E03C 1/042; Y10T
137/9464

FIG. 1 is a front perspective view of a first embodiment of my design;

FIG. 2 is a top view thereof;

FIG. 3 is a right side view thereof;

FIG. 4 is a left side view thereof; and

FIG. 5 is a front view thereof.

FIG. 6 is a front perspective view of a second embodiment of my design;

FIG. 7 is a top view thereof;

FIG. 8 is a right side view thereof;

FIG. 9 is a left side view thereof; and,

FIG. 10 is a front view thereof.

The views not shown form no part of the claimed design.

See application file for complete search history.

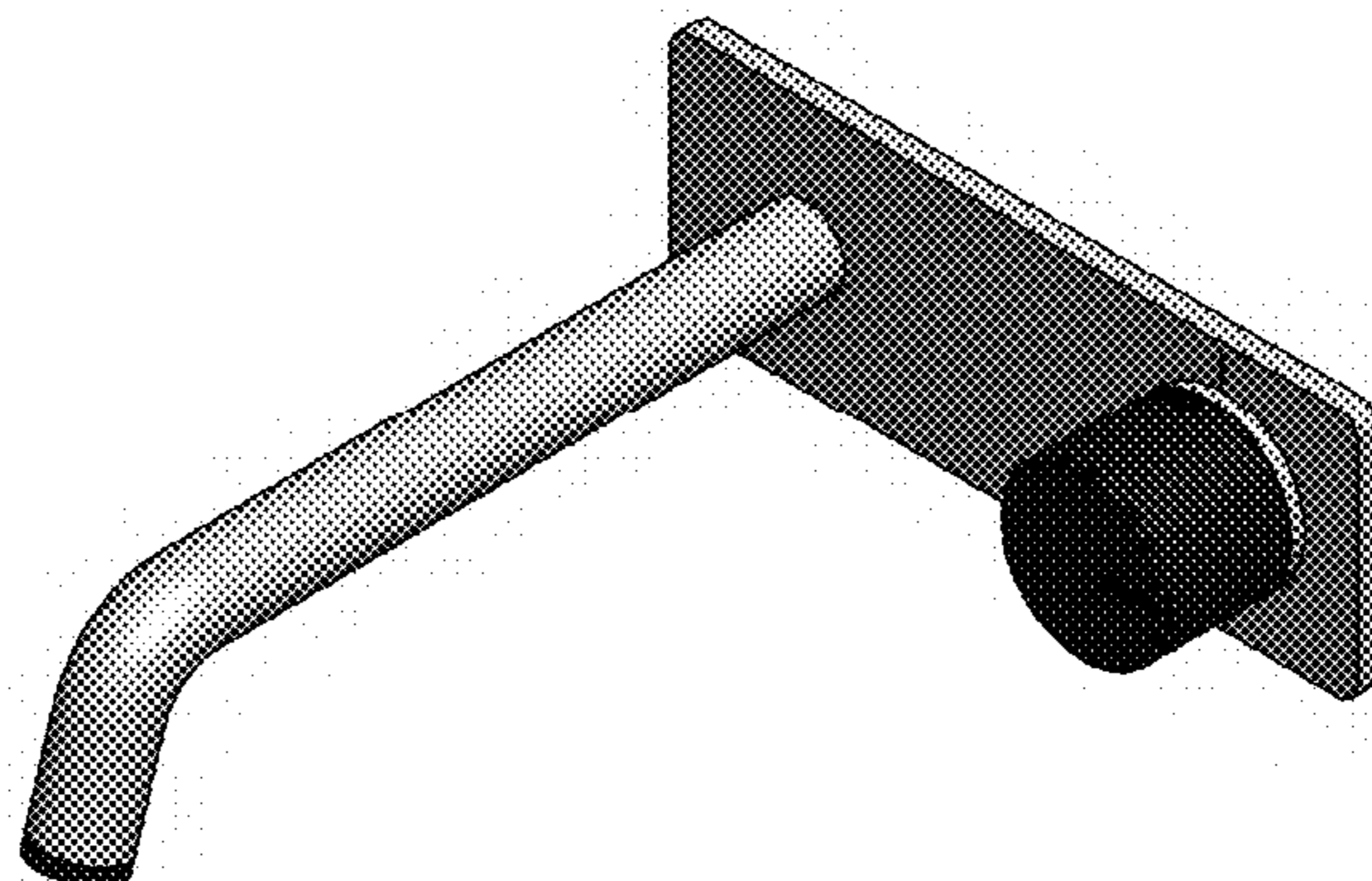
(56) **References Cited**

U.S. PATENT DOCUMENTS

D441,851 S 5/2001 Starck
D466,979 S 12/2002 Schulz
D481,445 S 10/2003 Haug
D492,011 S * 6/2004 Blattner D23/238
D525,342 S 7/2006 Starck
D532,866 S 11/2006 Kirar

(Continued)

1 Claim, 8 Drawing Sheets
(8 of 8 Drawing Sheet(s) Filed in Color)



(56)

References Cited

U.S. PATENT DOCUMENTS

D533,924	S	*	12/2006	Kirar	D23/255
D575,848	S		8/2008	Kirar		
D577,418	S		9/2008	Lammel		
D580,525	S		11/2008	Citterio		
D582,009	S	*	12/2008	Citterio	D23/238
D618,765	S		6/2010	Wang		
D635,221	S		3/2011	Rubin		
D685,878	S		7/2013	Fritz		
D697,588	S		1/2014	Schoenherr		
D708,714	S		7/2014	Georgeson		
D737,936	S		9/2015	Pony		
D739,501	S		9/2015	Flowers		
D740,395	S		10/2015	Flowers		
D757,223	S		5/2016	Schoenherr		
D757,225	S		5/2016	Schoenherr		
D757,903	S		5/2016	Schoenherr		
D787,020	S		5/2017	Ziemann		
D791,919	S		7/2017	Schoenherr		
D799,642	S		10/2017	Sieger		
D802,101	S		11/2017	Kirar		
D811,531	S	*	2/2018	Schoenherr	D23/238
D813,986	S		3/2018	Schoenherr		
D813,988	S		3/2018	Schoenherr		
D828,511	S		9/2018	Liu et al.		
D828,512	S		9/2018	Liu et al.		
D828,516	S		9/2018	Liu et al.		
D828,909	S		9/2018	Liu et al.		

FOREIGN PATENT DOCUMENTS

AU	308201	7/2006
AU	308202	7/2006

AU	314560	6/2007
AU	314563	6/2007
AU	321286	10/2008
AU	328364	11/2009
AU	328365	11/2009
AU	334096	12/2010
AU	336356	5/2011
AU	336357	5/2011
AU	337781	7/2011
AU	337782	7/2011
AU	344493	9/2012
AU	344494	9/2012
AU	350490	8/2013
AU	355991	6/2014
AU	355992	6/2014
AU	355993	6/2014
AU	355994	6/2014
AU	357542	9/2014
AU	357840	9/2014
AU	357842	9/2014
AU	357843	9/2014

OTHER PUBLICATIONS

TOI Basin Mixer, Phoenix Tapware, Showers & Accessories, <http://www.phoenixtapware.com.au/products/toi-basin-mixer>, known at least as early as Oct. 25, 2016, 3 pgs.

TOI Sink Mixer Squareline, Phoenix Tapware, Showers & Accessories, <http://www.phoenixtapware.com.au/toi-sink-mixer-180mm-squareline>, known at least as early as Oct. 25, 2016, 3 pgs.

* cited by examiner

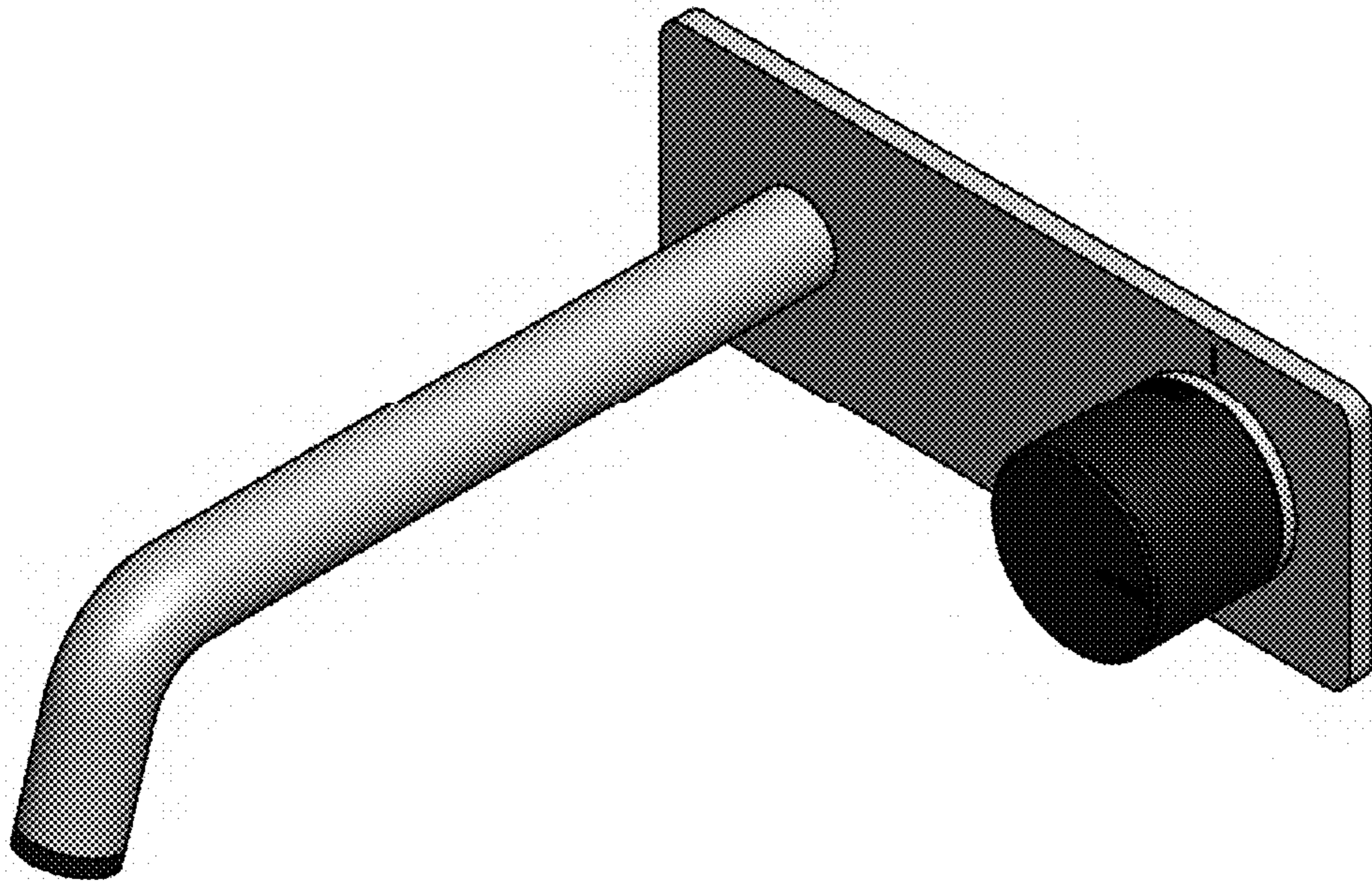


FIG. 1

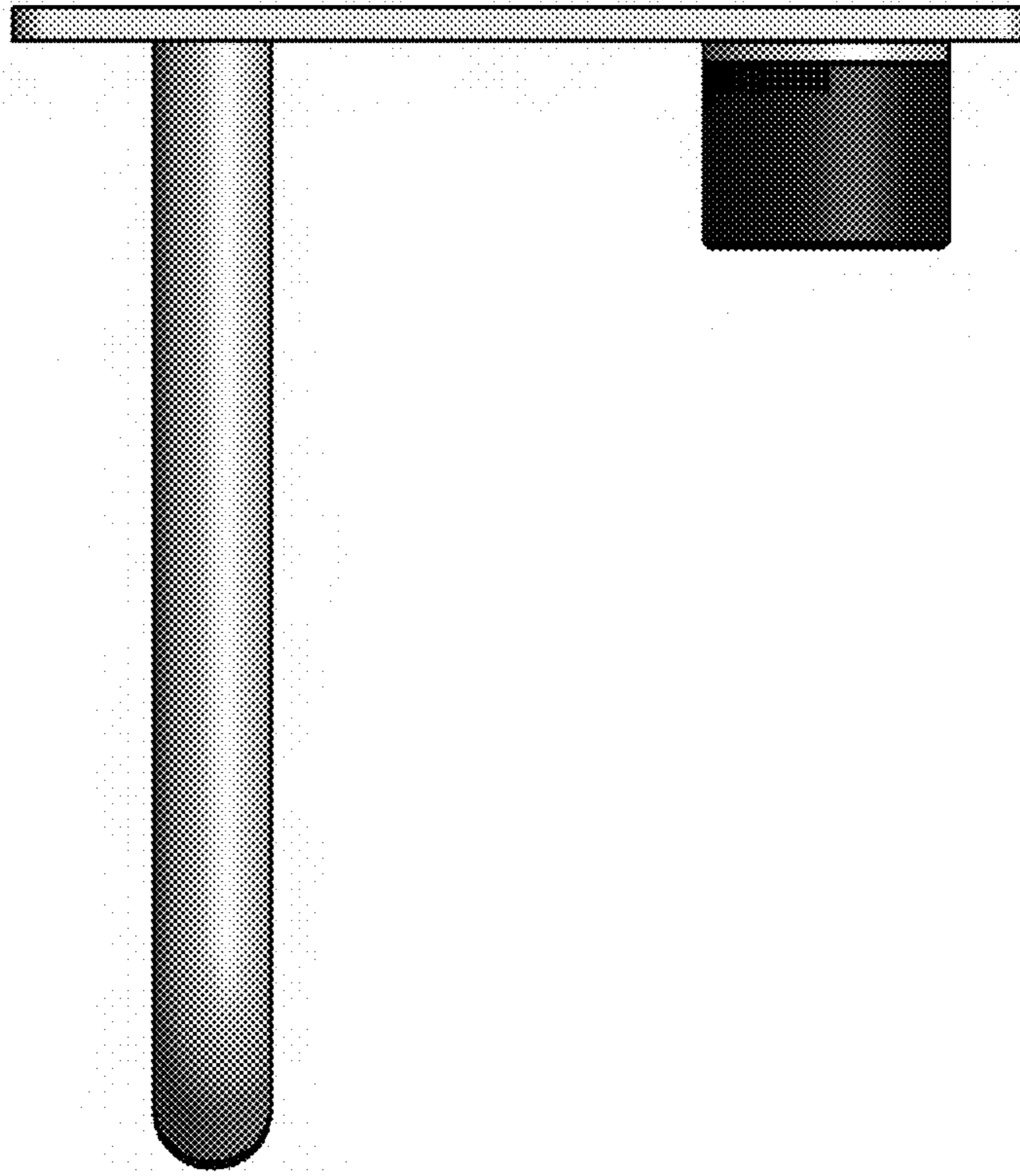


FIG. 2

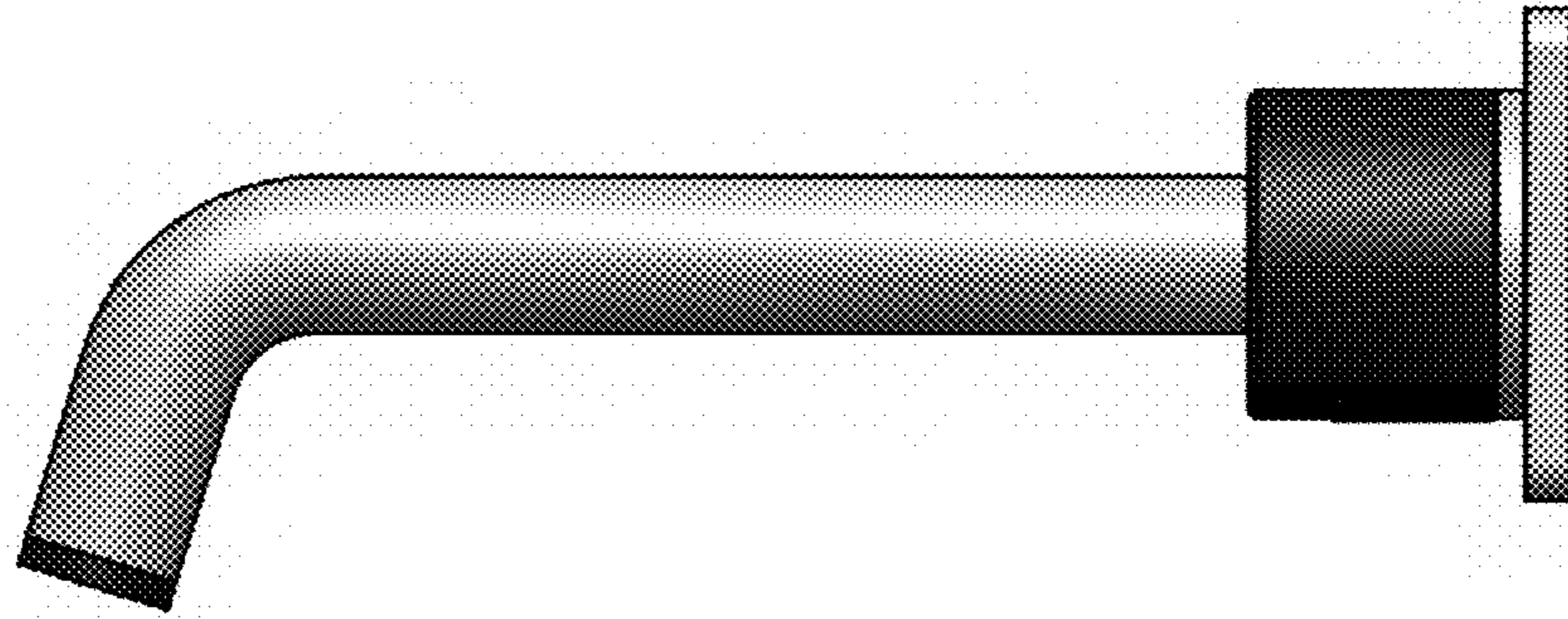


FIG. 3

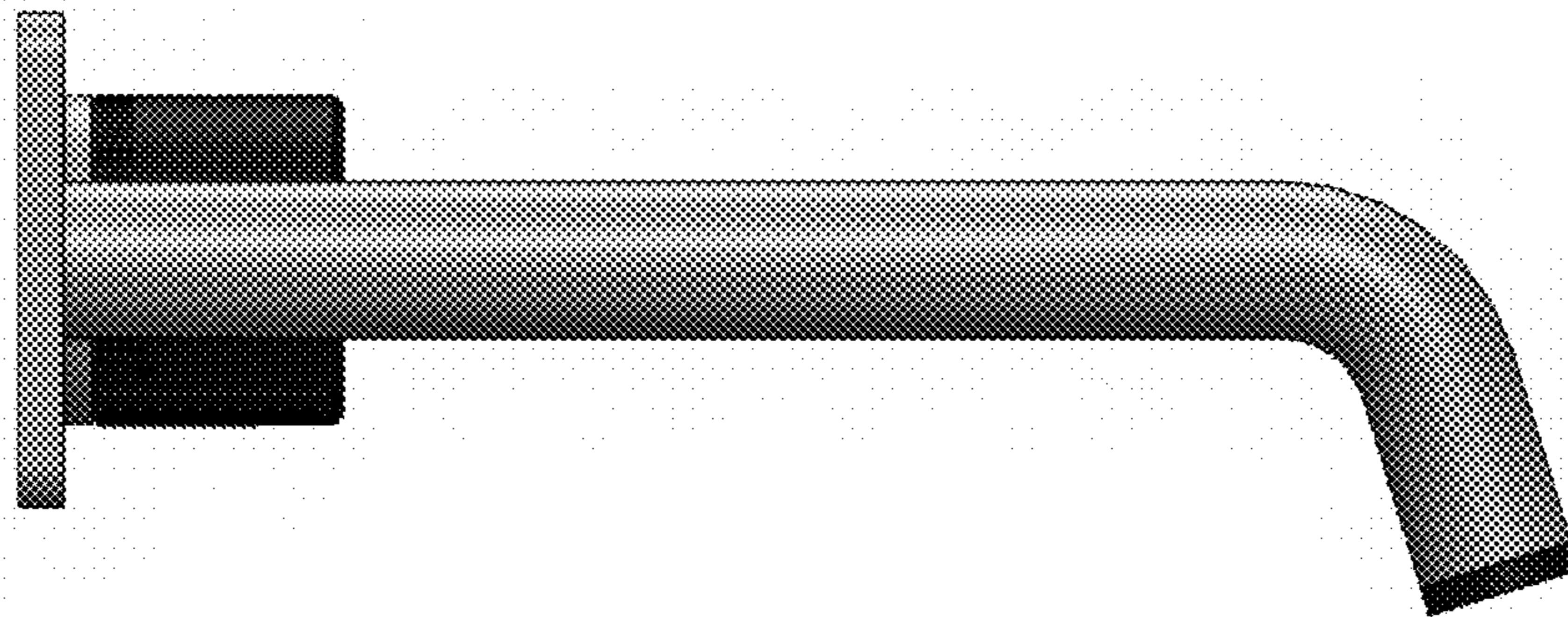


FIG. 4

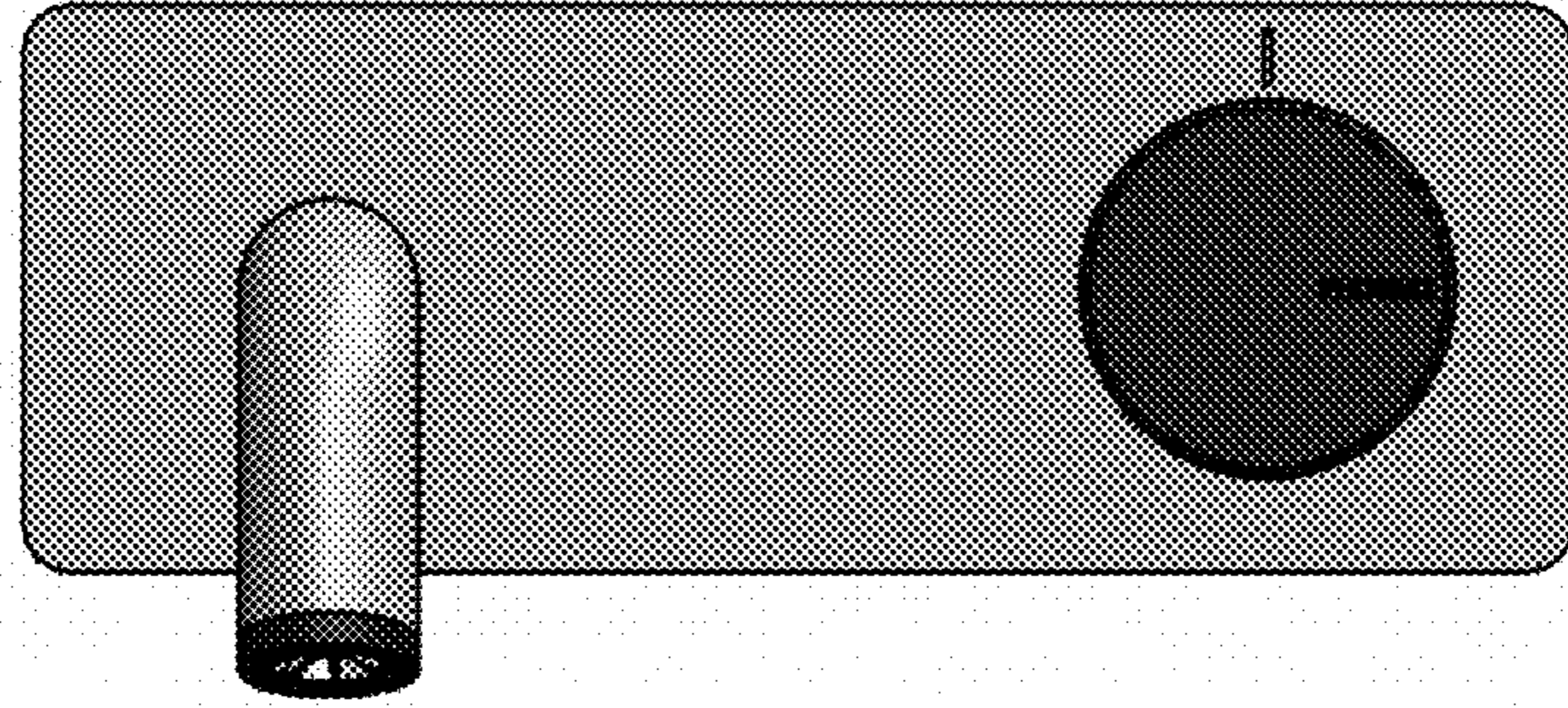


FIG. 5

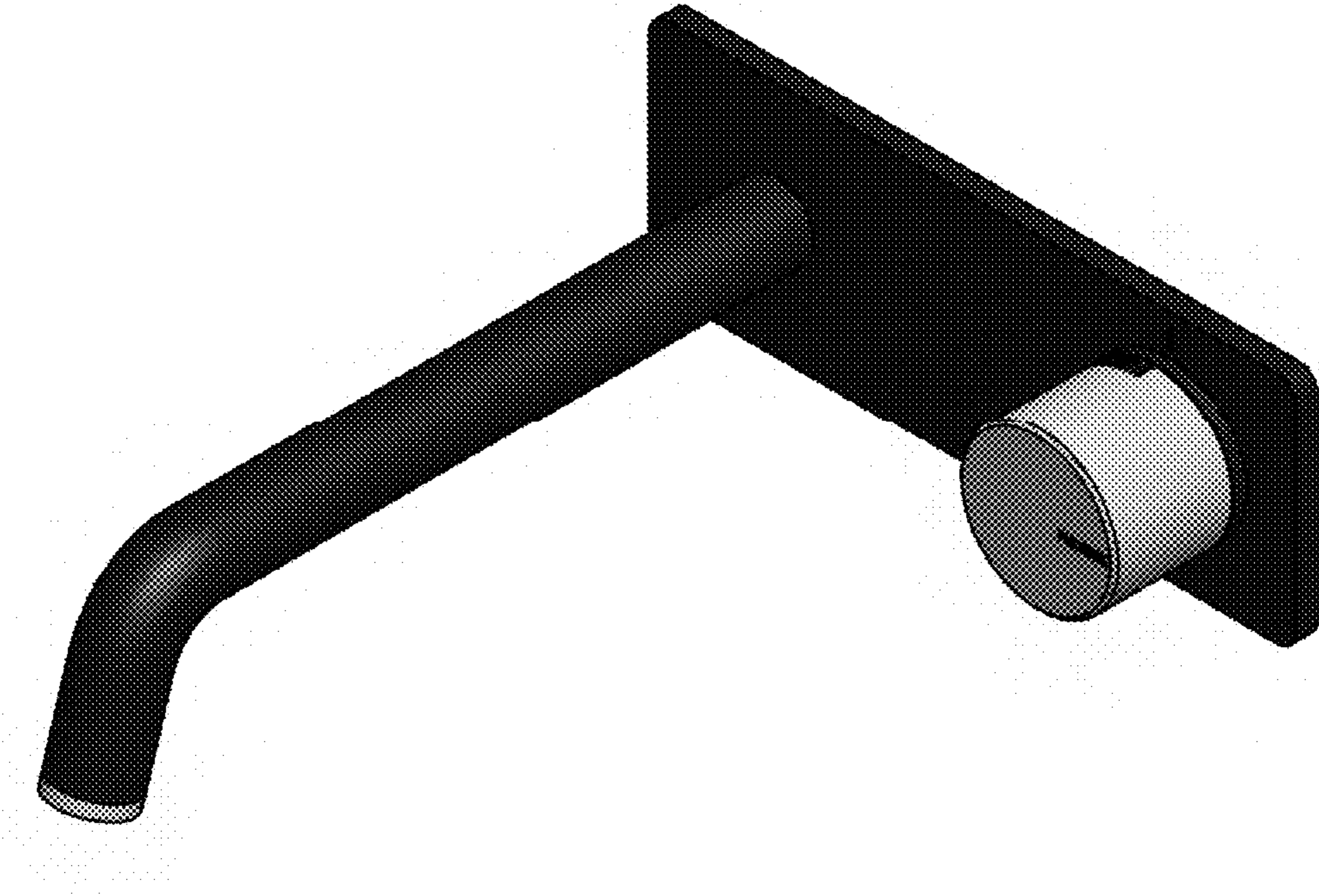


FIG. 6



FIG. 7

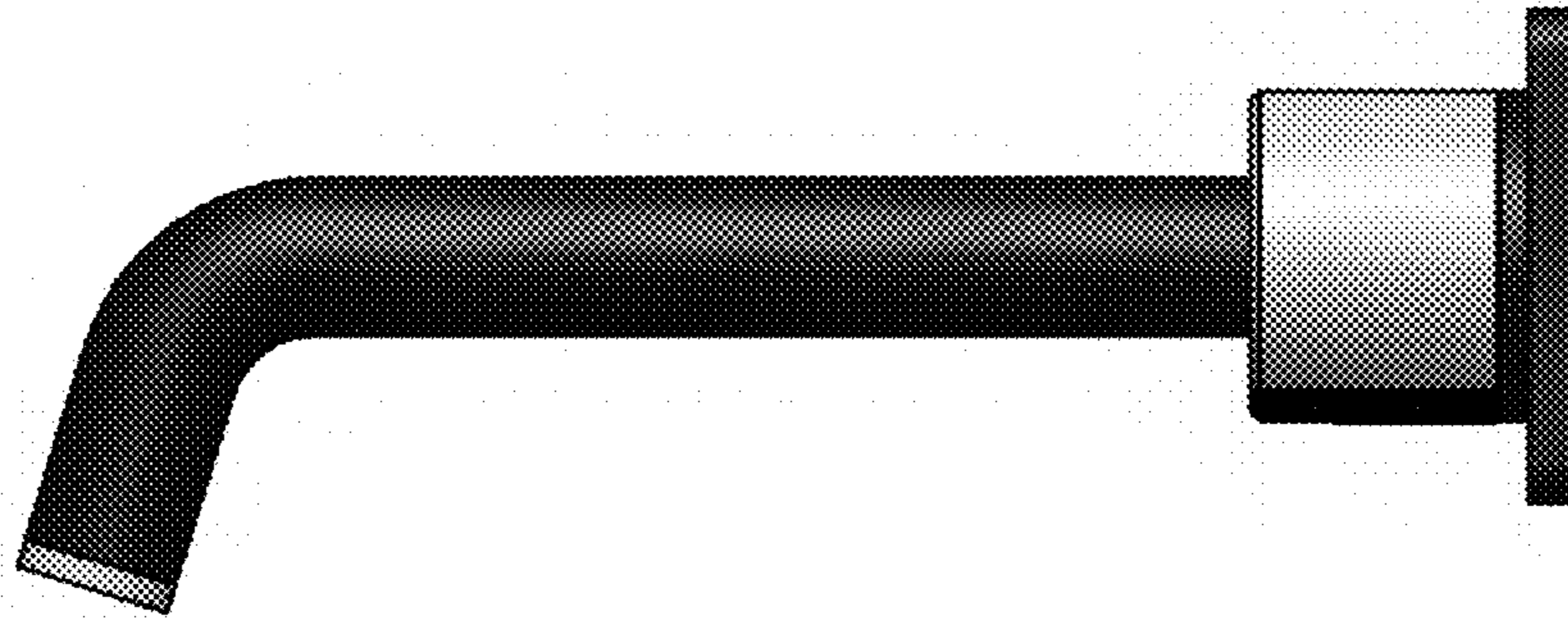


FIG. 8

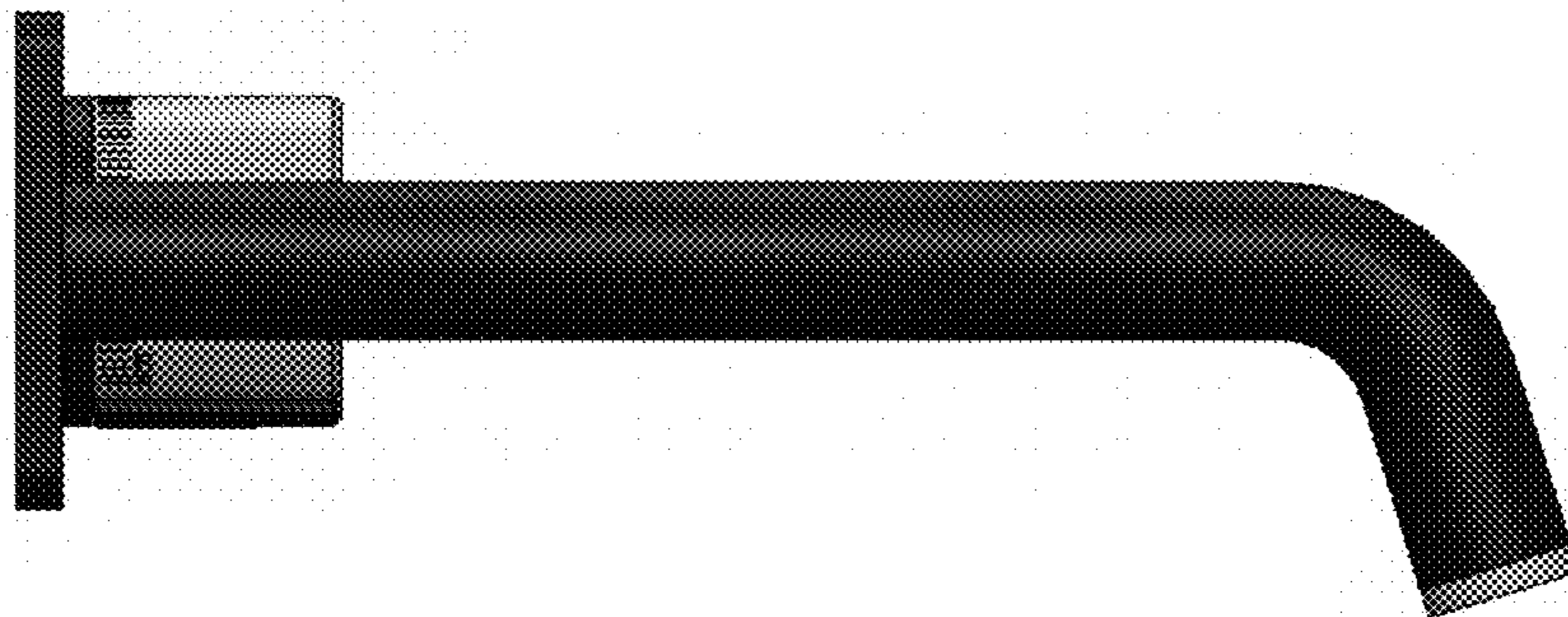


FIG. 9

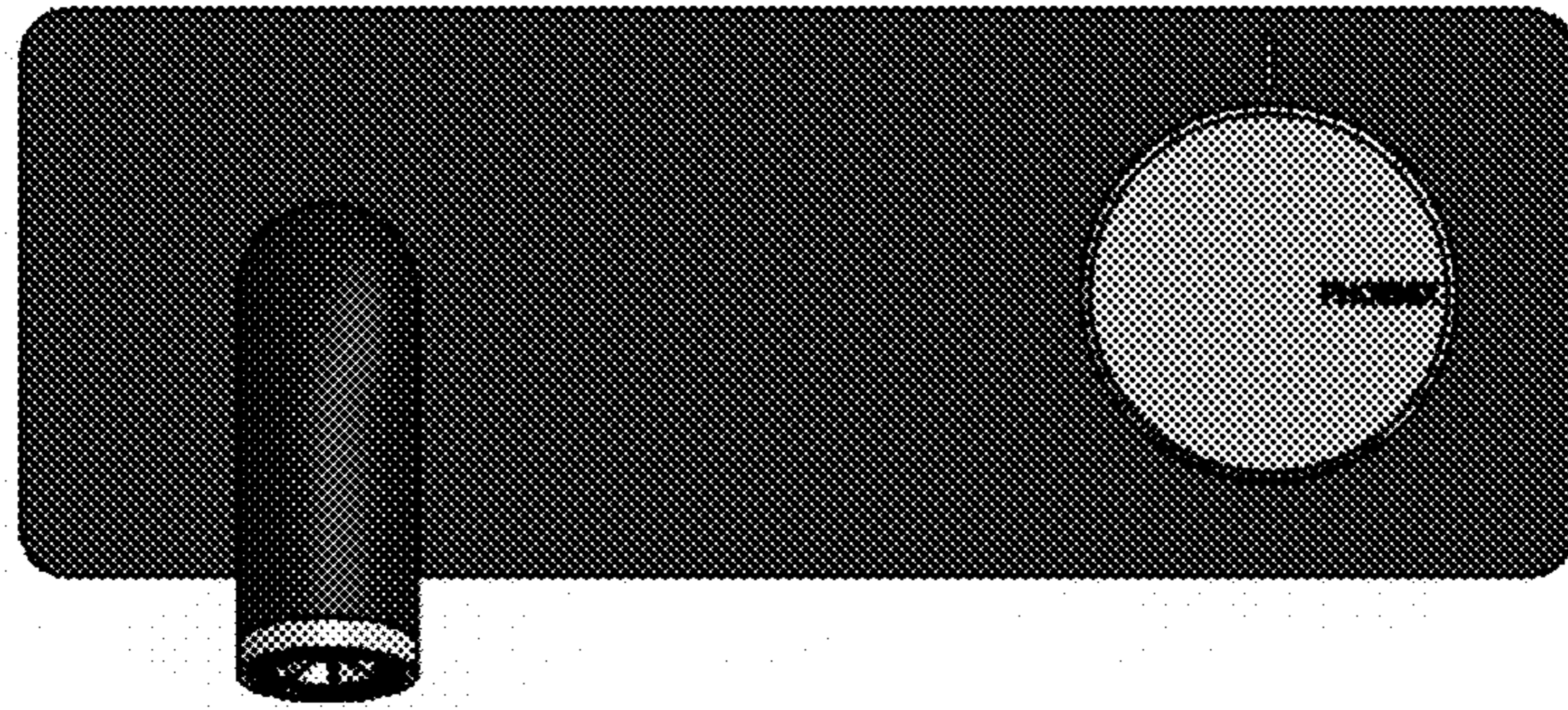


FIG. 10