



US00D846699S

(12) **United States Design Patent** (10) **Patent No.:** **US D846,699 S**
L'Henaff et al. (45) **Date of Patent:** **** *Apr. 23, 2019**

(54) **FAUCET**

(71) Applicant: **AS IP Holdco, LLC**, Piscataway, NJ (US)

(72) Inventors: **Jean-Jacques L'Henaff**, New Canaan, CT (US); **Gabriela Ravassa**, Brooklyn, NY (US)

(73) Assignee: **AS IP Holdco, LLC**, Piscataway, NJ (US)

(*) Notice: This patent is subject to a terminal disclaimer.

(**) Term: **15 Years**

(21) Appl. No.: **29/590,314**

(22) Filed: **Jan. 9, 2017**

(51) **LOC (11) Cl.** **23-01**

(52) **U.S. Cl.**
USPC **D23/238**

(58) **Field of Classification Search**
USPC D23/237, 238, 240-243, 249, 254, 255, D23/257; D6/524
CPC E03C 1/0401; E03C 1/04; E03C 1/0402; E03C 1/0404; B25B 23/16; C02F 1/50; A47K 5/14; Y10T 137/9464
See application file for complete search history.

(56) **References Cited**

U.S. PATENT DOCUMENTS

3,600,723	A	8/1971	Mongerson et al.	
4,796,329	A	1/1989	Bory	
5,361,431	A	11/1994	Freier et al.	
5,813,433	A	9/1998	Oswaks et al.	
D402,738	S	12/1998	Oswaks et al.	
D459,443	S *	6/2002	Weiland	D23/249
D487,305	S *	3/2004	Ouyoung	D23/238
D488,541	S *	4/2004	Lin	D23/238
D491,633	S *	6/2004	Ouyoung	D23/238
7,225,828	B2	6/2007	Giagni, Jr. et al.	

7,963,003	B1	6/2011	Keene	
8,061,386	B2	11/2011	Mueller et al.	
D662,181	S *	6/2012	Thun	D23/238
8,376,316	B2	2/2013	Gustafson et al.	
8,469,056	B2	6/2013	Marty et al.	
9,057,184	B2	6/2015	Meehan et al.	
9,255,387	B2	2/2016	Yang et al.	
D753,800	S *	4/2016	Callaghan	D23/249

(Continued)

FOREIGN PATENT DOCUMENTS

AU	31014	1/1973
EP	0866180	9/1998
WO	2008/006167	1/2008

OTHER PUBLICATIONS

Examiners's Report dated Jan. 10, 2018, directed to CA Application No. 175823; 2 pages.

(Continued)

Primary Examiner — Lakiya G Rogers
Assistant Examiner — John A Voytek
(74) *Attorney, Agent, or Firm* — Morrison & Foerster LLP

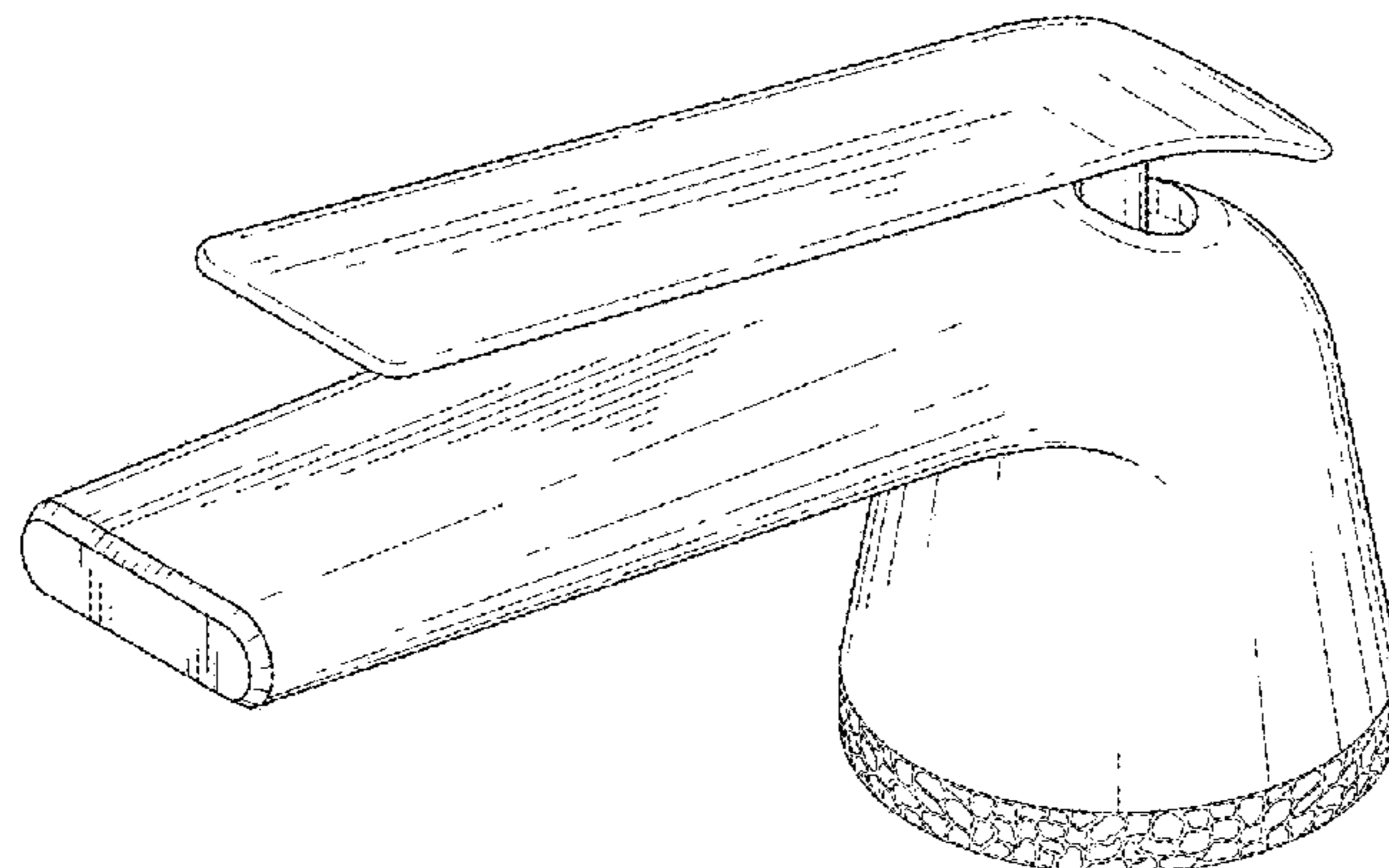
(57) **CLAIM**

The ornamental design for a faucet, as shown and described.

DESCRIPTION

FIG. 1 is a front and right side perspective view of a faucet showing the new design;
FIG. 2 is a front elevational view thereof;
FIG. 3 is a rear elevational view thereof;
FIG. 4 is a right side elevational view thereof;
FIG. 5 is a left side elevational view thereof;
FIG. 6 is a top plan view thereof; and,
FIG. 7 is a bottom plan view thereof.
The features shown in broken lines form no part of the claimed design.

1 Claim, 4 Drawing Sheets



(56)

References Cited

U.S. PATENT DOCUMENTS

9,333,698	B2	5/2016	DeVries et al.	
D787,637	S *	5/2017	Hong	D23/238
D796,636	S *	9/2017	Downey	D23/238
D797,898	S *	9/2017	Bennett	D23/255
D799,642	S *	10/2017	Sieger	D23/238
D802,101	S *	11/2017	Kirar	D23/257
2006/0180213	A1	8/2006	Ko	
2009/0172878	A1	7/2009	Shieh	
2012/0272784	A1	11/2012	Bailey et al.	
2014/0261767	A1	9/2014	DeVries et al.	
2015/0345118	A1	12/2015	Yang et al.	

OTHER PUBLICATIONS

First Office Action dated Nov. 16, 2017, directed to CN Application No. 201730296865.1; 2 pages.
 Delta Faucet. "Delta Faucet RP34359SS Victorian Decorative Trim Ring, Stainless," located at <<https://www.amazon.com/Faucet-RP34359SS-Victorian-Decorative-Stainless/dp/B000UB62UQ>> (6 pages).
 Examiner's Report dated Jan. 10, 2018, directed to CA Application No. 175821; 2 pages.
 Examiner's Report dated Jan. 10, 2018, directed to CA Application No. 175830; 2 pages.
 First Office Action dated Nov. 16, 2017, directed to CN Application No. 201730297269.5; 2 pages.

First Office Action dated Nov. 20, 2017, directed to CN Application No. 201730296569.1; 2 pages.
 International Search Report and Written Opinion dated Apr. 30, 2018, directed to International Application No. PCT/US2018/012835; 11 pages.
 L'Henaff et al., U.S. Office Action dated Jul. 12, 2018, directed to U.S. Appl. No. 29/590,311; 4 pages.
 L'Henaff et al., U.S. Office Action dated Jun. 29, 2018, directed to U.S. Appl. No. 29/590,317; 4 pages.
 Office Action dated Aug. 6, 2018, directed to MX Application No. MX/f/2017/002001; 7 pages.
 Office Action dated Aug. 6, 2018, directed to MX Application No. MX/f/2017/002012; 7 pages.
 Office Action dated Aug. 6, 2018, directed to MX Application No. MX/f/2017/002016; 7 pages.
 Office Action dated May 22, 2018, directed to BR Application No. BR 30 2017 002764-4; 2 pages.
 Office Action dated May 22, 2018, directed to BR Application No. BR 30 2017 002772-5; 2 pages.
 Office Action dated May 22, 2018, directed to BR Application No. BR 30 2017 002774-1; 2 pages.
 Office Action dated Jun. 1, 2018, directed to JP Application No. 2017-014867; 3 pages.
 Office Action dated Jun. 1, 2018, directed to JP Application No. 2017-014868; 3 pages.
 Office Action dated Jun. 1, 2018, directed to JP Application No. 2017-014869; 3 pages.
 Office Action dated Oct. 19, 2018, directed to JP Application No. 2017-0147868; 6 pages.

* cited by examiner

FIG. 1

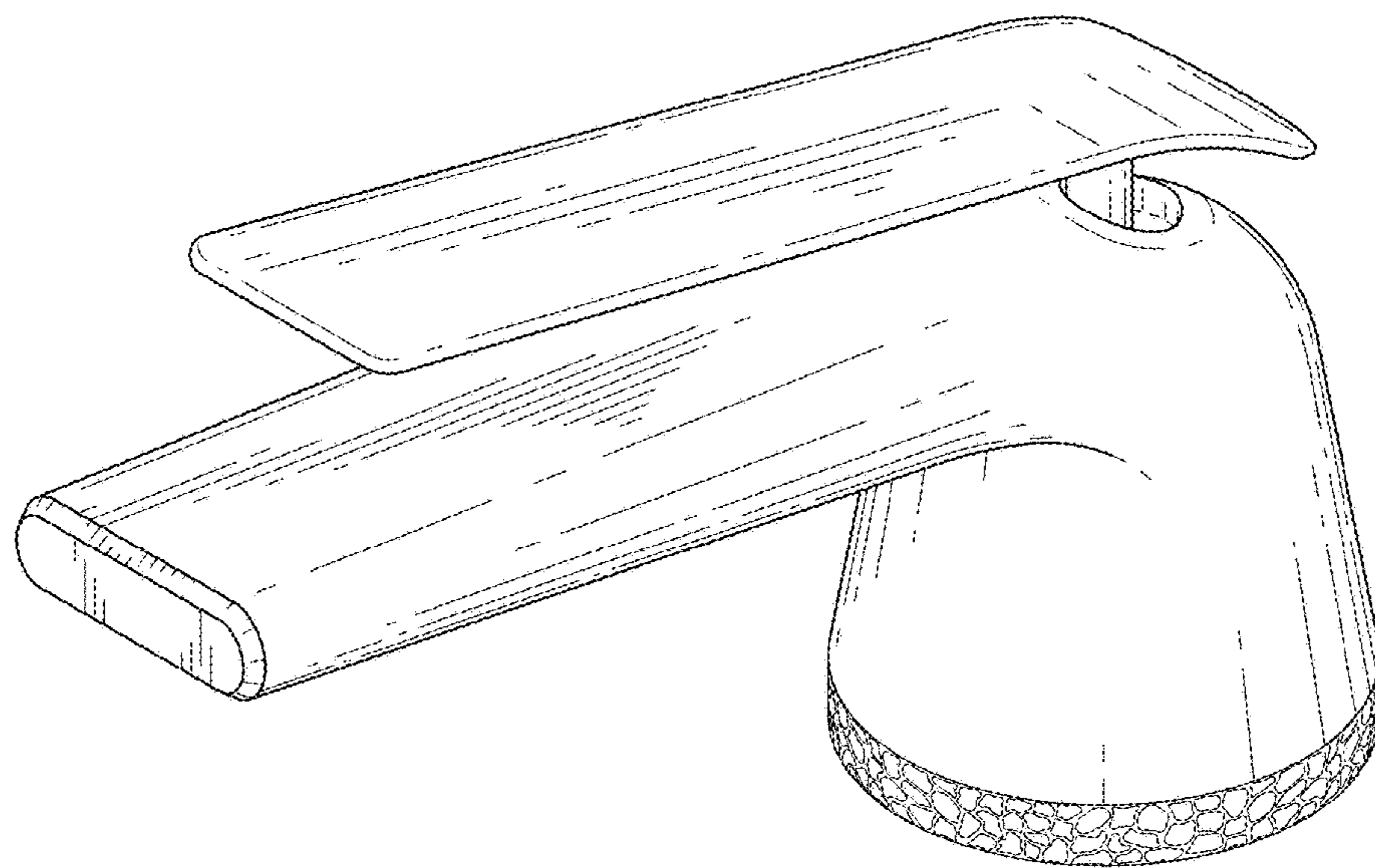


FIG. 2

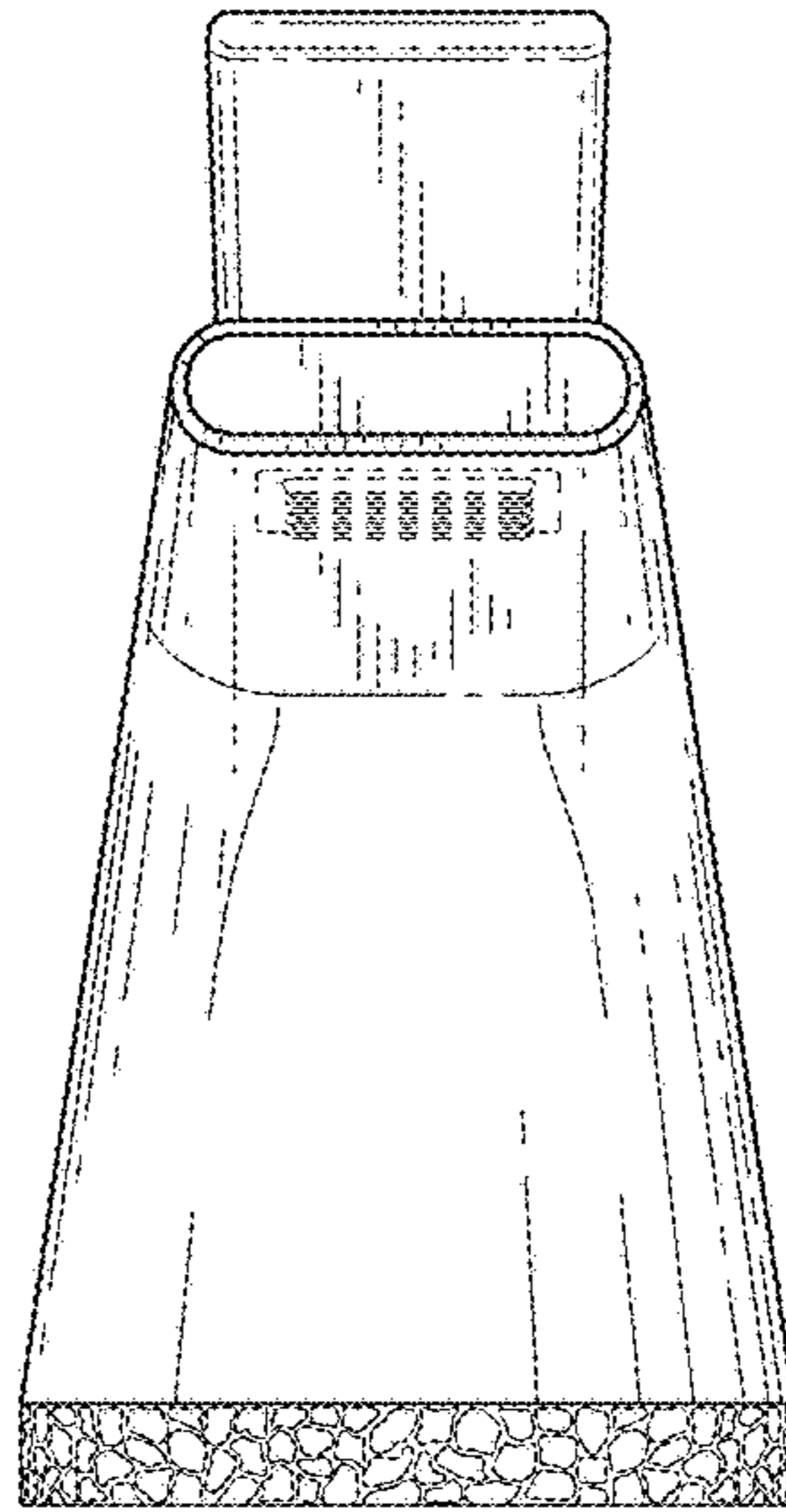


FIG. 3

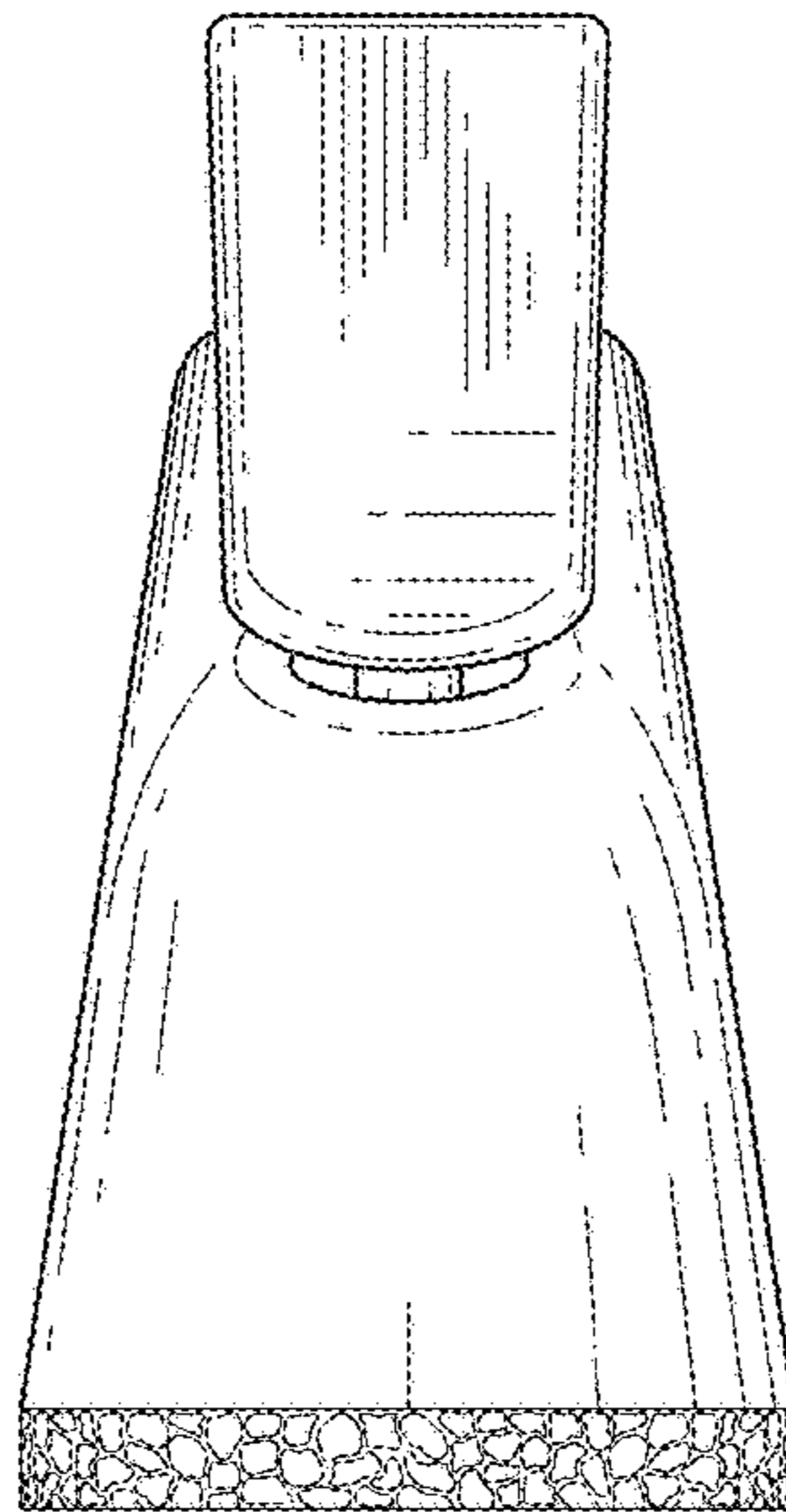


FIG. 4

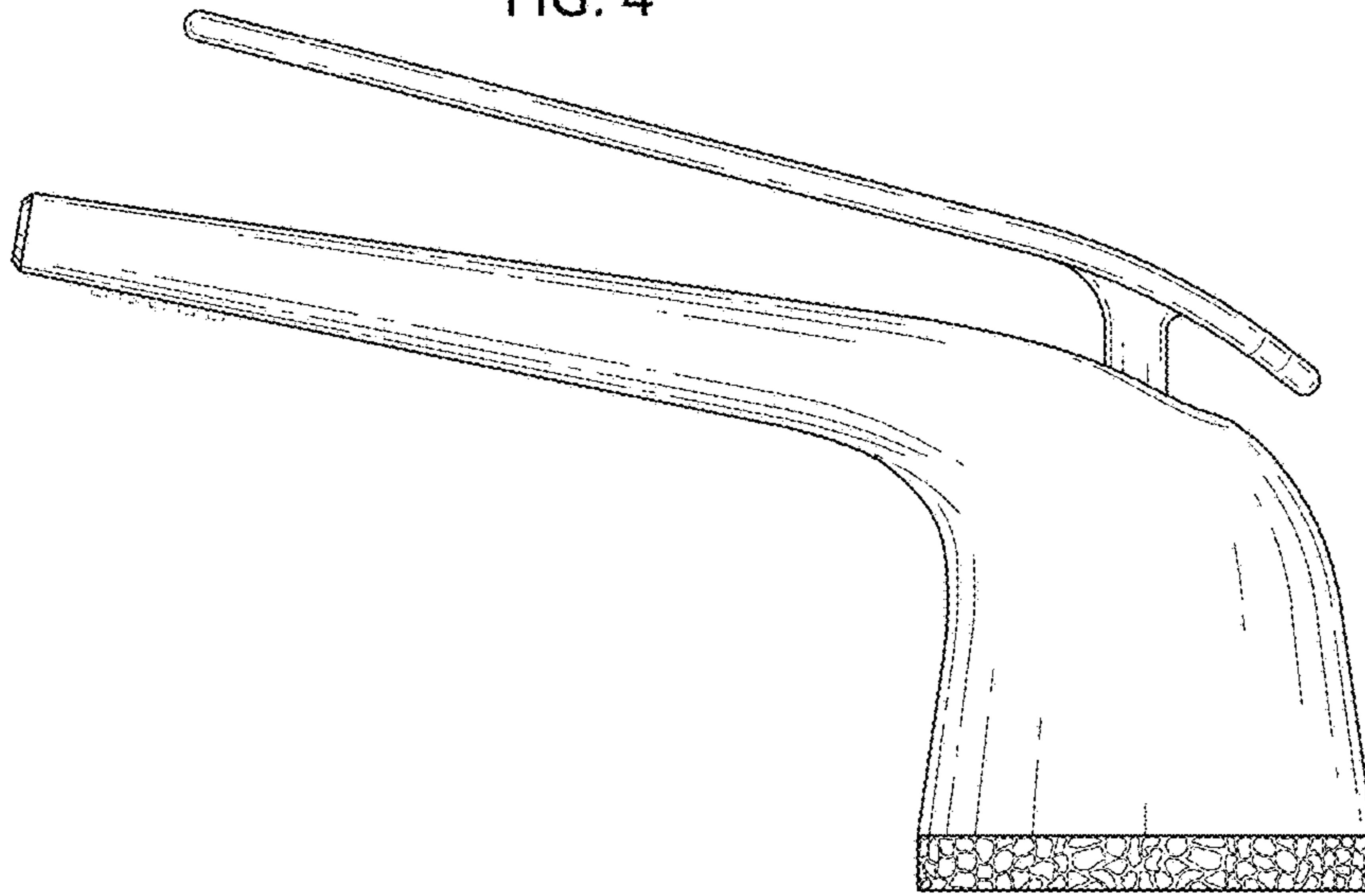


FIG. 5

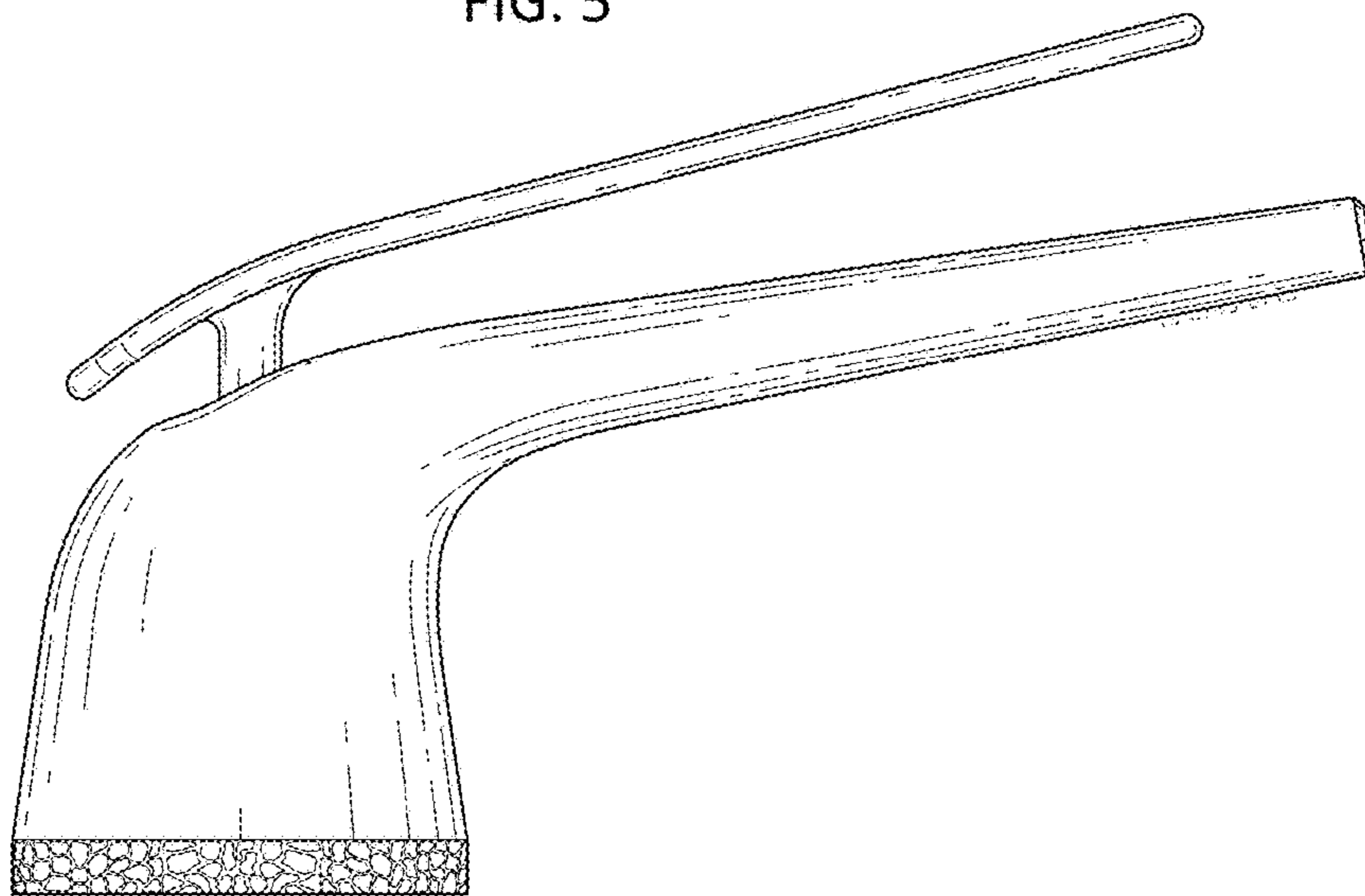


FIG. 6

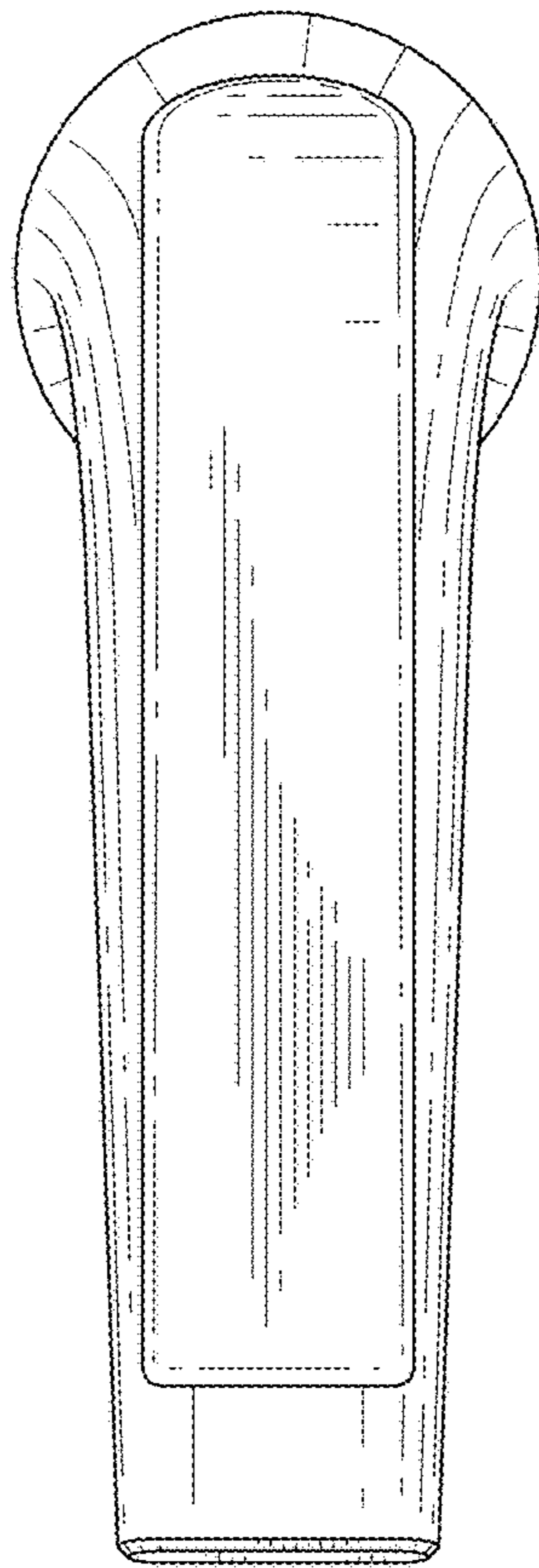


FIG. 7

