

US00D846698S

(12) **United States Design Patent** (10) **Patent No.:** **US D846,698 S**
L'Henaff et al. (45) **Date of Patent:** **** Apr. 23, 2019**

(54) **FAUCET**

(71) Applicant: **AS IP Holdco, LLC**, Piscataway, NJ (US)

(72) Inventors: **Jean-Jacques L'Henaff**, New Canaan, CT (US); **Gabriela Ravassa**, Brooklyn, NY (US)

(73) Assignee: **AS IP Holdco, LLC**, Piscataway, NJ (US)

(**) Term: **15 Years**

(21) Appl. No.: **29/590,311**

(22) Filed: **Jan. 9, 2017**

(51) **LOC (11) Cl.** **23-01**

(52) **U.S. Cl.**
USPC **D23/238**

(58) **Field of Classification Search**
USPC D23/237, 238, 240-243, 249, 254, 255, D23/257; D6/524
CPC E03C 1/0401; E03C 1/04; E03C 1/0402; E03C 1/0404; B25B 23/16; C02F 1/50; A47K 5/14; Y10T 137/9464
See application file for complete search history.

(56) **References Cited**

U.S. PATENT DOCUMENTS

| | | | | |
|-----------|-----|---------|--------------------|---------|
| 3,600,723 | A | 8/1971 | Mongerson et al. | |
| 4,796,329 | A | 1/1989 | Bory | |
| 5,361,431 | A | 11/1994 | Freier et al. | |
| 5,813,433 | A | 9/1998 | Oswaks et al. | |
| D402,738 | S | 12/1998 | Oswaks et al. | |
| D459,443 | S * | 6/2002 | Weiland | D23/249 |
| D487,305 | S * | 3/2004 | Ouyoung | D23/238 |
| D488,541 | S * | 4/2004 | Lin | D23/238 |
| D491,633 | S * | 6/2004 | Ouyoung | D23/238 |
| 7,225,828 | B2 | 6/2007 | Giagni, Jr. et al. | |
| 7,963,003 | B1 | 6/2011 | Keene | |
| 8,061,386 | B2 | 11/2011 | Mueller et al. | |
| D662,181 | S * | 6/2012 | Thun | D23/238 |

| | | | | |
|-----------|-----|--------|------------------|---------|
| 8,376,316 | B2 | 2/2013 | Gustafson et al. | |
| 8,469,056 | B2 | 6/2013 | Marty et al. | |
| 9,057,184 | B2 | 6/2015 | Meehan et al. | |
| 9,255,387 | B2 | 2/2016 | Yang et al. | |
| D753,800 | S * | 4/2016 | Callaghan | D23/249 |
| 9,333,698 | B2 | 5/2016 | DeVries et al. | |
| D787,637 | S * | 5/2017 | Hong | D23/238 |

(Continued)

FOREIGN PATENT DOCUMENTS

| | | |
|----|-------------|--------|
| AU | 31014 | 1/1973 |
| EP | 0866180 | 9/1998 |
| WO | 2008/006167 | 1/2008 |

OTHER PUBLICATIONS

Examiner's Report dated Jan. 10, 2018, directed to CA Application No. 175830; 2 pages.

(Continued)

Primary Examiner — Lakiya G Rogers
Assistant Examiner — John A Voytek
(74) *Attorney, Agent, or Firm* — Morrison & Foerster LLP

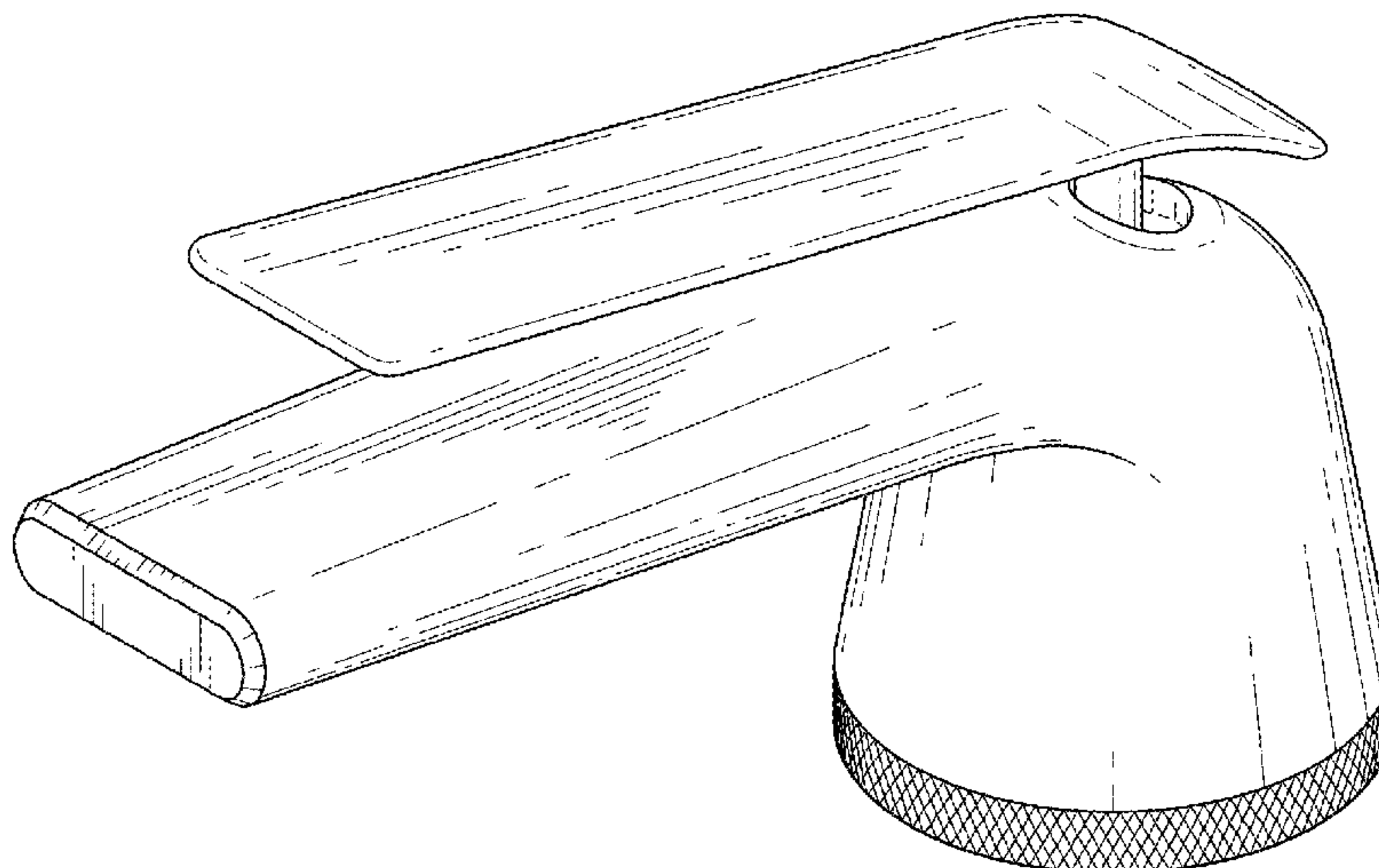
(57) **CLAIM**

The ornamental design for a faucet, as shown and described.

DESCRIPTION

FIG. 1 is a front and right side perspective view of a faucet showing the new design;
FIG. 2 is a front elevational view thereof;
FIG. 3 is a rear elevational view thereof;
FIG. 4 is a right side elevational view thereof;
FIG. 5 is a left side elevational view thereof;
FIG. 6 is a top plan view thereof; and,
FIG. 7 is a bottom plan view thereof.
The features shown in broken lines form no part of the claimed design.

1 Claim, 4 Drawing Sheets



(56)

References Cited

U.S. PATENT DOCUMENTS

| | | | | | | |
|--------------|----|---|---------|----------------|-------|---------|
| D796,636 | S | * | 9/2017 | Downey | | D23/238 |
| D797,898 | S | * | 9/2017 | Bennett | | D23/255 |
| D799,642 | S | * | 10/2017 | Sieger | | D23/238 |
| D802,101 | S | * | 11/2017 | Kirar | | D23/257 |
| 2006/0180213 | A1 | | 8/2006 | Ko | | |
| 2009/0172878 | A1 | | 7/2009 | Shieh | | |
| 2012/0272784 | A1 | | 11/2012 | Bailey et al. | | |
| 2014/0261767 | A1 | | 9/2014 | DeVries et al. | | |
| 2015/0345118 | A1 | | 12/2015 | Yang et al. | | |

OTHER PUBLICATIONS

First Office Action dated Nov. 16, 2017, directed to CN Application No. 201730297269.5; 2 pages.
 Delta Faucet. "Delta Faucet RP34359SS Victorian Decorative Trim Ring, Stainless," located at <<https://www.amazon.com/Faucet-RP34359SS-Victorian-Decorative-Stainless/dp/B000UB62UQ>> (6 pages).
 Examiner's Report dated Jan. 10, 2018, directed to CA Application No. 175821; 2 pages.
 Examiner's Report dated Jan. 10, 2018, directed to CA Application No. 175823; 2 pages.
 First Office Action dated Nov. 16, 2017, directed to CN Application No. 201730296865.1; 2 pages.
 First Office Action dated Nov. 20, 2017, directed to CN Application No. 201730296569.1; 2 pages.

International Search Report and Written Opinion dated Apr. 30, 2018, directed to International Application No. PCT/US2018/012835; 11 pages.
 L'Henaff et al., U.S. Office Action dated Jul. 12, 2018, directed to U.S. Appl. No. 29/590,314; 4 pages.
 L'Henaff et al., U.S. Office Action dated Jun. 29, 2018, directed to U.S. Appl. No. 29/590,317; 4 pages.
 Office Action dated Aug. 6, 2018, directed to MX Application No. MX/f/2017/002001; 7 pages.
 Office Action dated Aug. 6, 2018, directed to MX Application No. MX/f/2017/002012; 7 pages.
 Office Action dated Aug. 6, 2018, directed to MX Application No. MX/f/2017/002016; 7 pages.
 Office Action dated May 22, 2018, directed to BR Application No. BR 30 2017 002764-4; 2 pages.
 Office Action dated May 22, 2018, directed to BR Application No. BR 30 2017 002772-5; 2 pages.
 Office Action dated May 22, 2018, directed to BR Application No. BR 30 2017 002774-1; 2 pages.
 Office Action dated Jun. 1, 2018, directed to JP Application No. 2017-014867; 3 pages.
 Office Action dated Jun. 1, 2018, directed to JP Application No. 2017-014868; 3 pages.
 Office Action dated Jun. 1, 2018, directed to JP Application No. 2017-014869; 3 pages.
 Office Action dated Oct. 19, 2018, directed to JP Application No. 2017-0147867; 6 pages.

* cited by examiner

FIG. 1

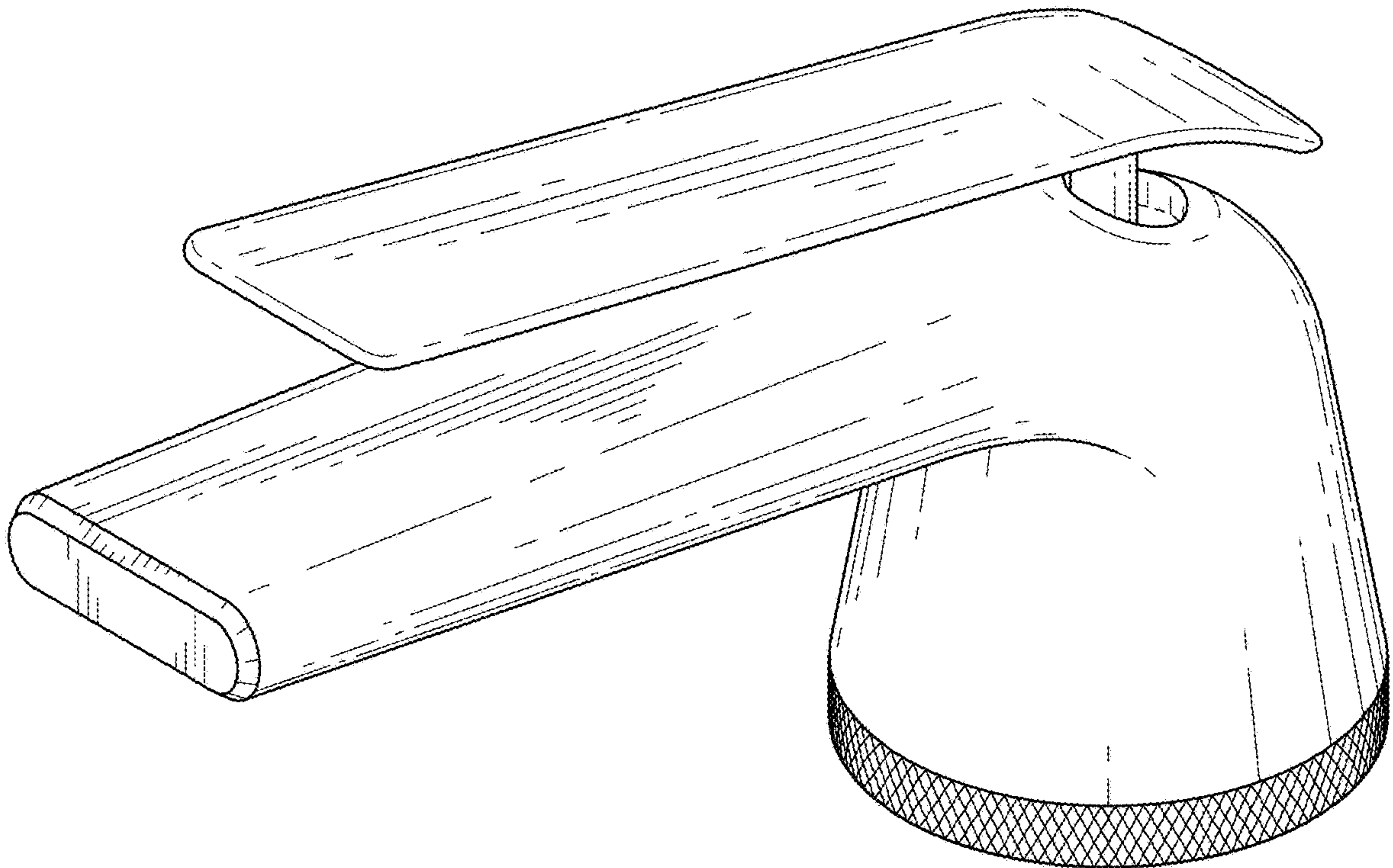


FIG. 2

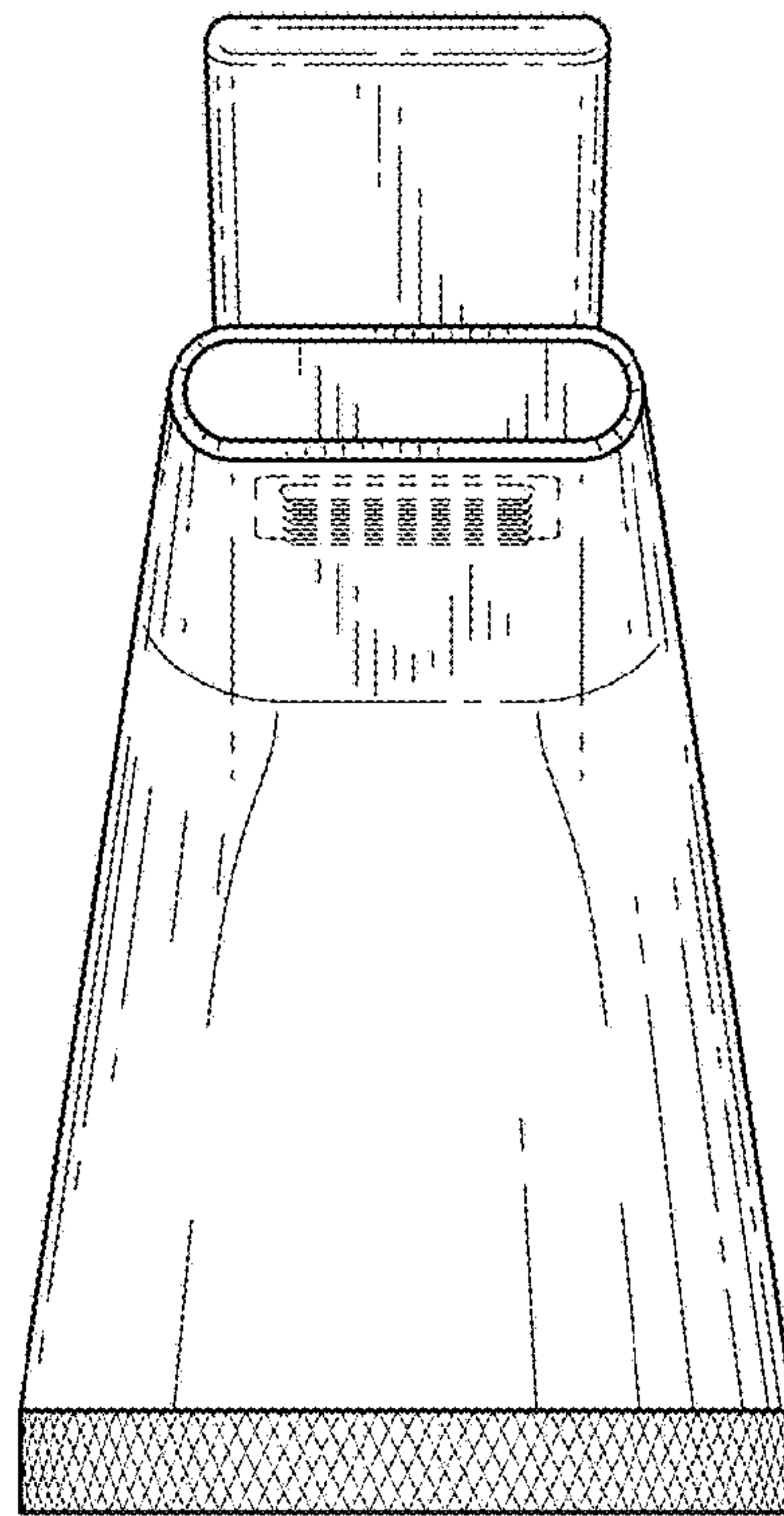


FIG. 3

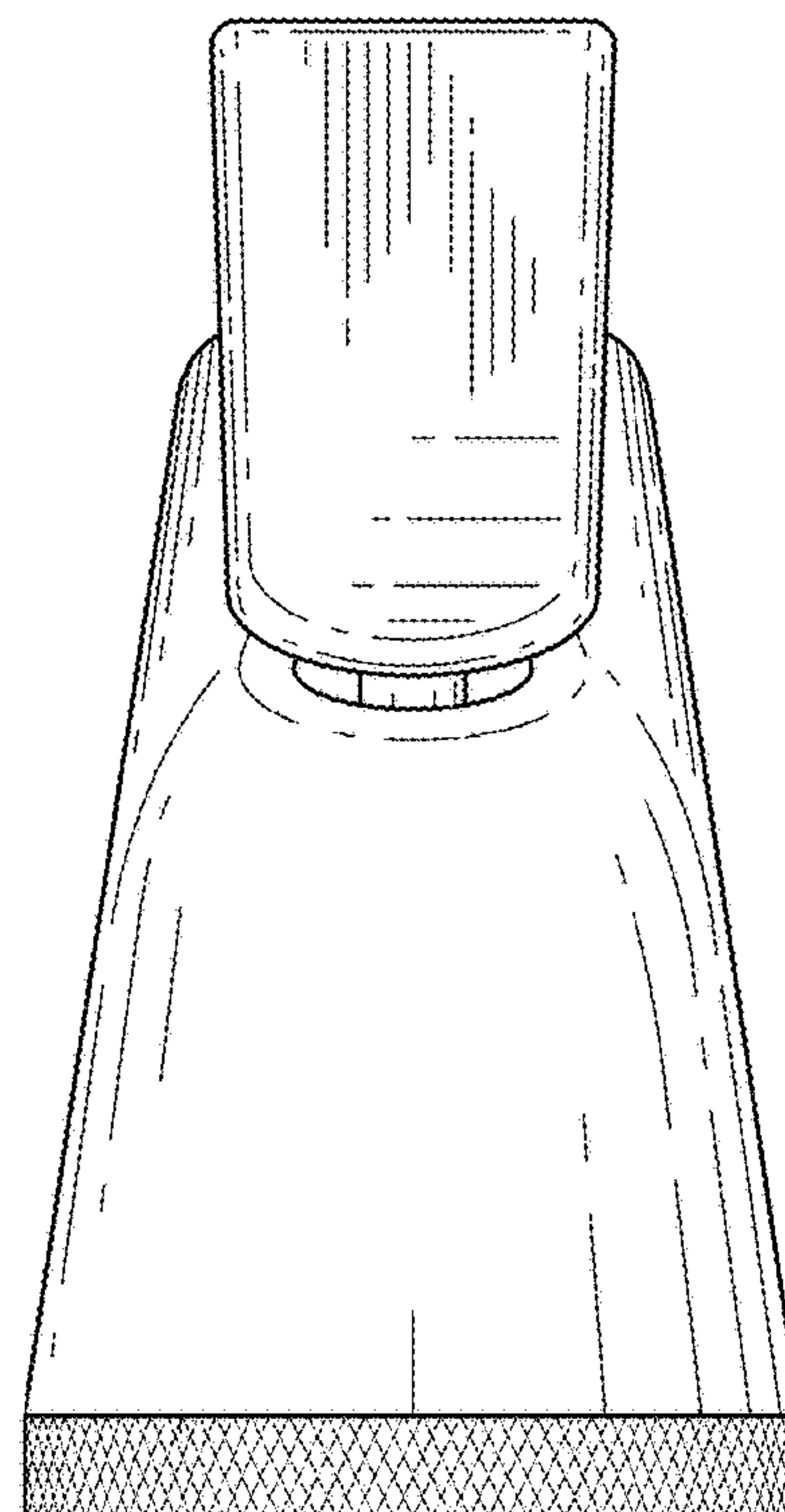


FIG. 4

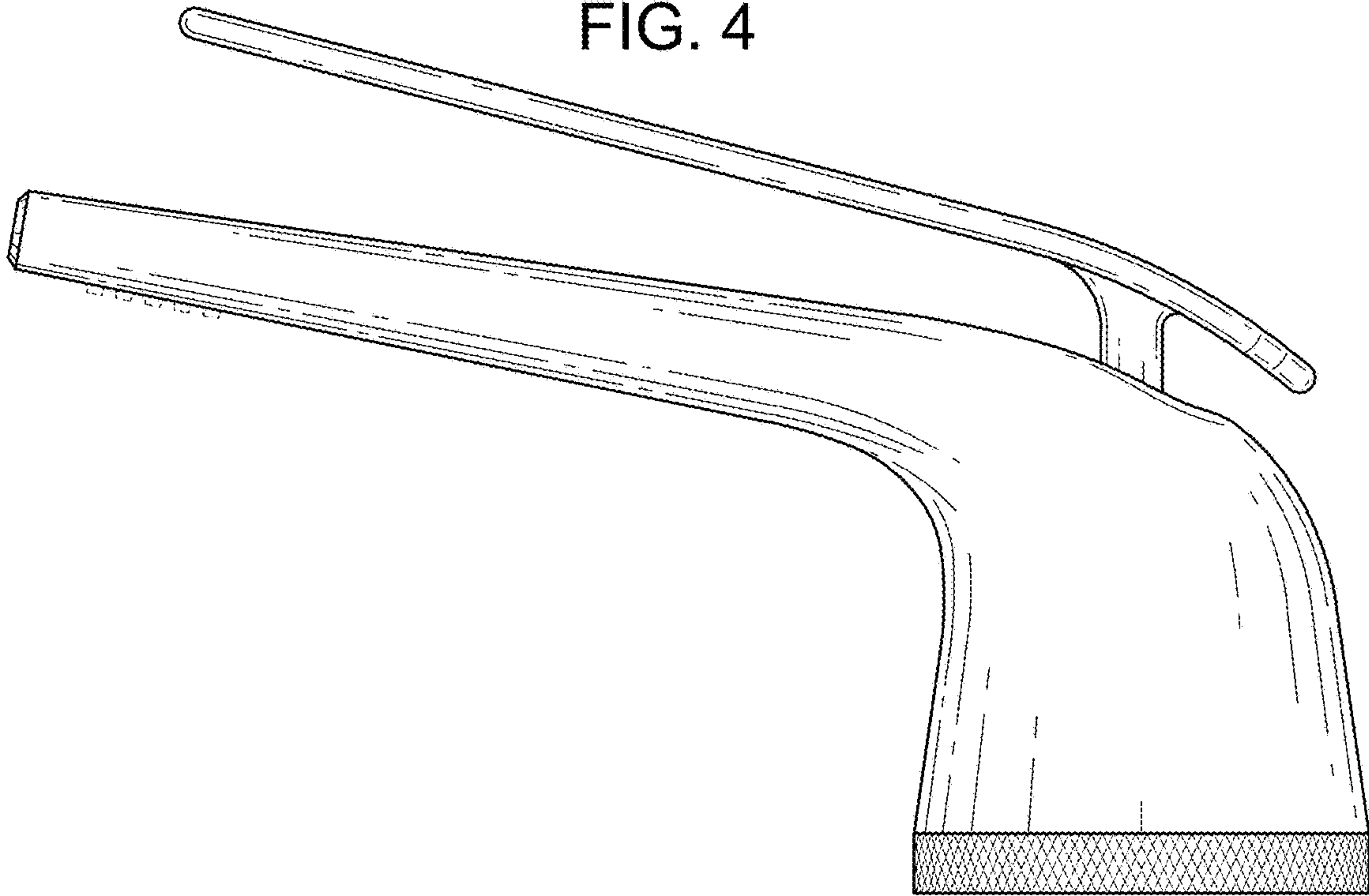


FIG. 5

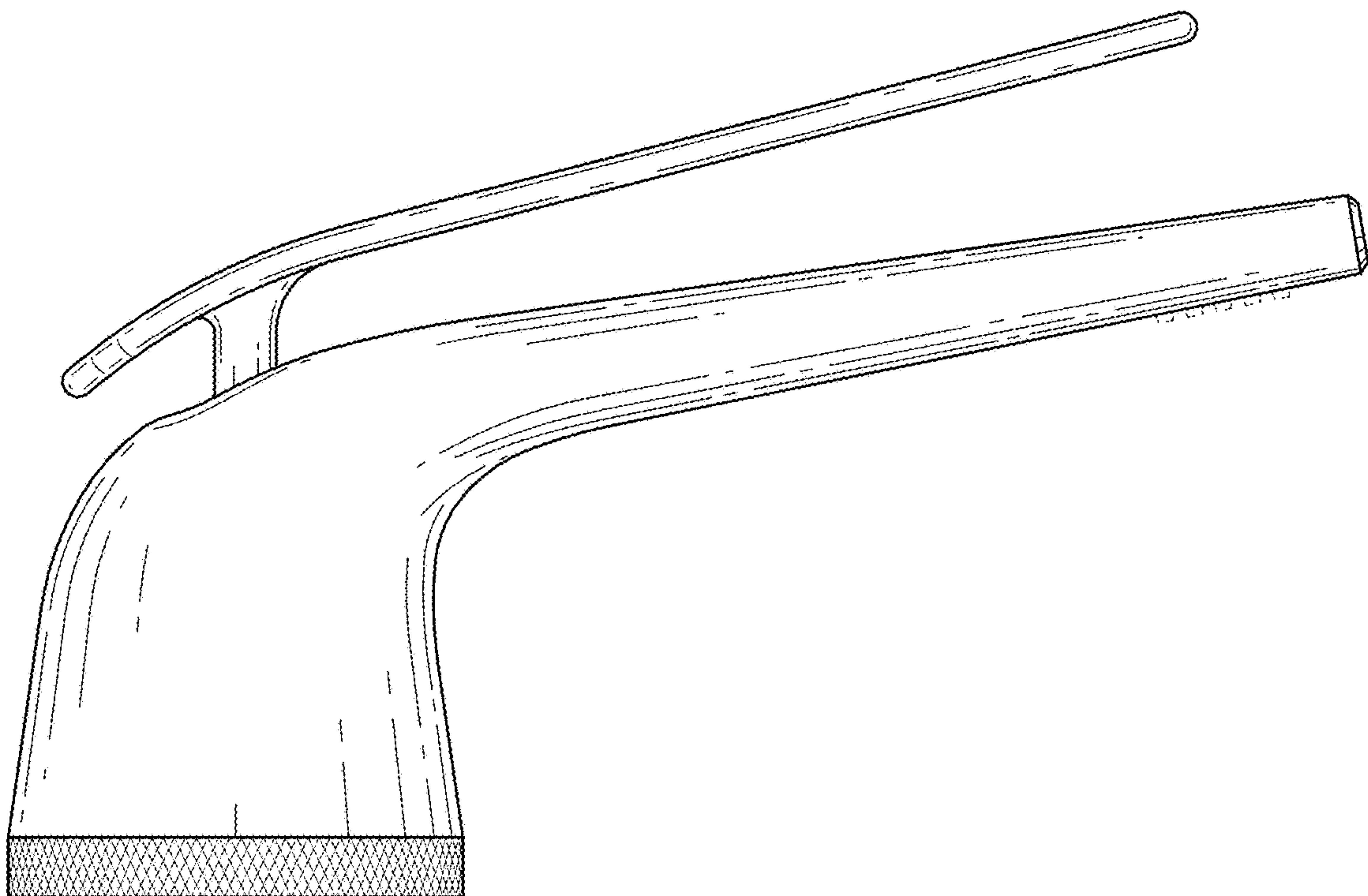


FIG. 6

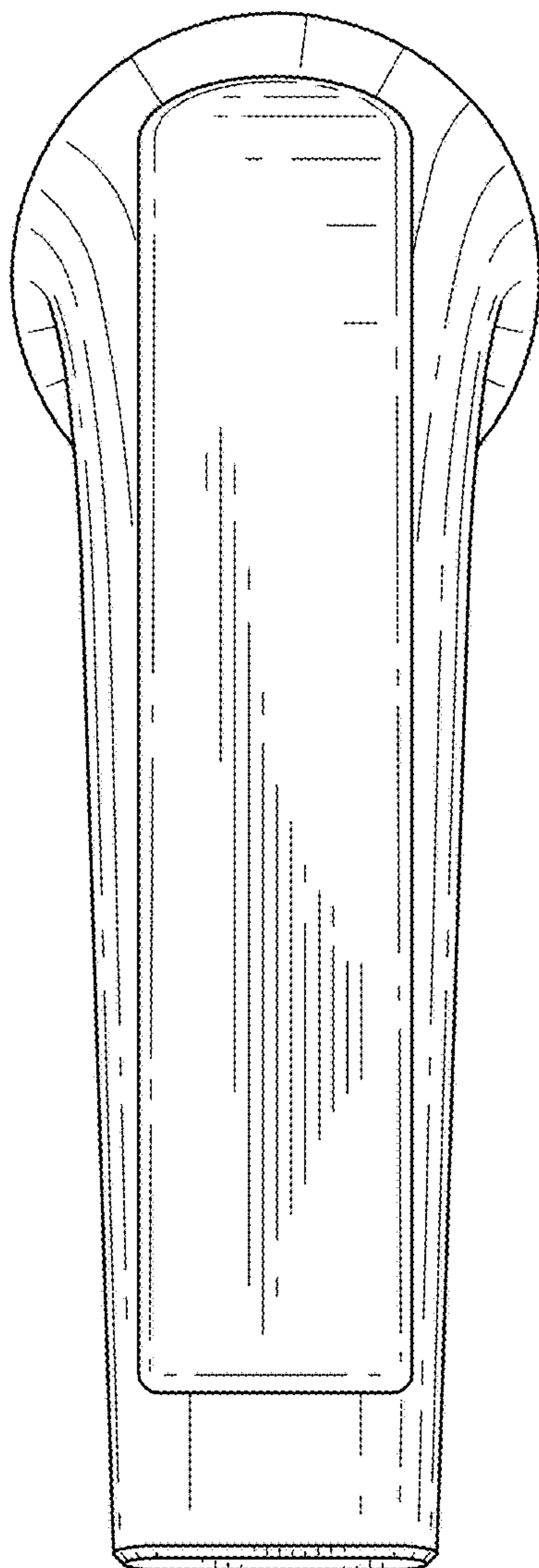


FIG. 7

