



US00D846697S

(12) **United States Design Patent** (10) **Patent No.:** **US D846,697 S**
Yoshimura et al. (45) **Date of Patent:** **** Apr. 23, 2019**

(54) **ELECTROMAGNETIC VALVE**
 (71) Applicant: **SMC CORPORATION**, Chiyoda-ku (JP)

D720,046 S * 12/2014 Morodomi D23/233
 D736,894 S * 8/2015 Morodomi D23/233
 D740,918 S * 10/2015 Morodomi D23/233
 D749,700 S * 2/2016 Miyazoe D23/233
 D801,479 S * 10/2017 Doi D23/233

(72) Inventors: **Shinichi Yoshimura**, Moriya (JP);
Masaru Yoshida, Ushiku (JP); **Kenichi Matsumura**, Kashiwa (JP)

FOREIGN PATENT DOCUMENTS

CN 303441076 S 11/2015

(73) Assignee: **SMC CORPORATION**, Chiyoda-ku (JP)

OTHER PUBLICATIONS

Office Action issued Jul. 2, 2018 in Japanese Patent Application No. 2017-018624, (with English translation), citing document AO therein, 4 pages.

(**) Term: **15 Years**

* cited by examiner

(21) Appl. No.: **29/637,026**

(22) Filed: **Feb. 13, 2018**

(30) **Foreign Application Priority Data**

Aug. 30, 2017 (JP) 2017-018624

(51) **LOC (11) Cl.** **23-01**

(52) **U.S. Cl.**
 USPC **D23/233**

(58) **Field of Classification Search**
 USPC D23/233, 235-237, 241-249; D15/5, 7, D15/9, 199; 137/269, 271, 343, 554, 137/557, 560, 625.64, 882, 884, 861; 251/129.01, 129.15, 596.13, 596.16, 15, 251/130, 219, 331, 129.04
 CPC .. F16K 31/0675; F16K 27/029; F16K 27/048; F16K 31/082; F16K 31/06; F16K 31/02; F16K 31/0606
 See application file for complete search history.

Primary Examiner — Cynthia Ramirez
Assistant Examiner — Gino Colan

(74) *Attorney, Agent, or Firm* — Oblon, McClelland, Maier & Neustadt, L.L.P.

(57) **CLAIM**

The ornamental design for an electromagnetic valve, as shown and described.

DESCRIPTION

FIG. 1 is a front, top and left perspective view of an electromagnetic valve showing our new design;
 FIG. 2 is a rear, bottom, and right perspective view thereof;
 FIG. 3 is a front elevational view thereof;
 FIG. 4 is a rear elevational view thereof;
 FIG. 5 is a top plan view thereof;
 FIG. 6 is a bottom plan view thereof;
 FIG. 7 is a left side elevational view thereof; and,
 FIG. 8 is a right side elevational view thereof.

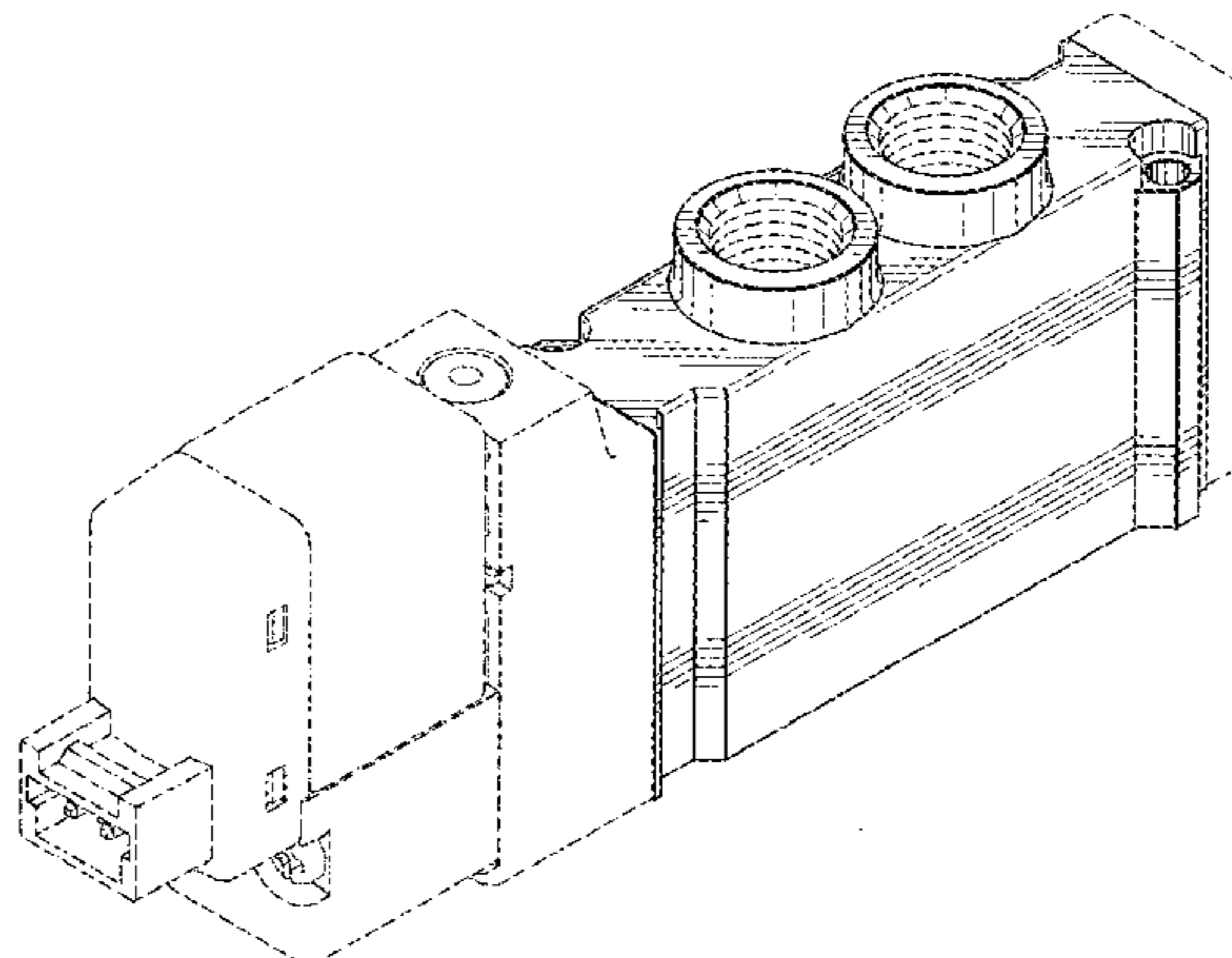
The broken lines in the drawings illustrate portions of the electromagnetic valve that form no part of the claimed design.

(56) **References Cited**

U.S. PATENT DOCUMENTS

D563,517 S * 3/2008 Miyazoe D23/233
 D563,518 S * 3/2008 Miyazoe D23/233
 D564,630 S * 3/2008 Miyazoe D23/233
 D638,101 S * 5/2011 Kato D23/233
 D690,392 S * 9/2013 Miyazoe D23/233

1 Claim, 5 Drawing Sheets



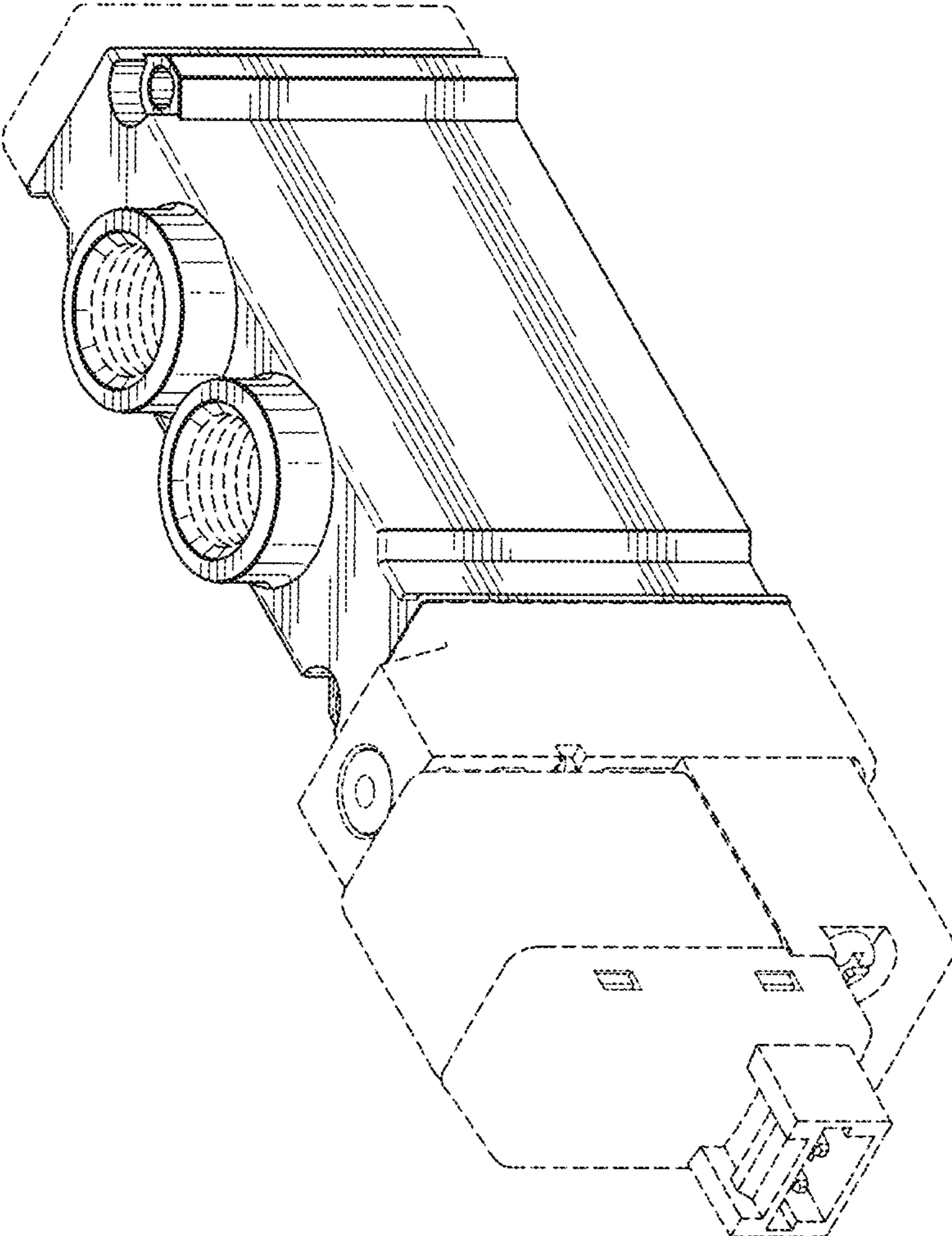


FIG. 1

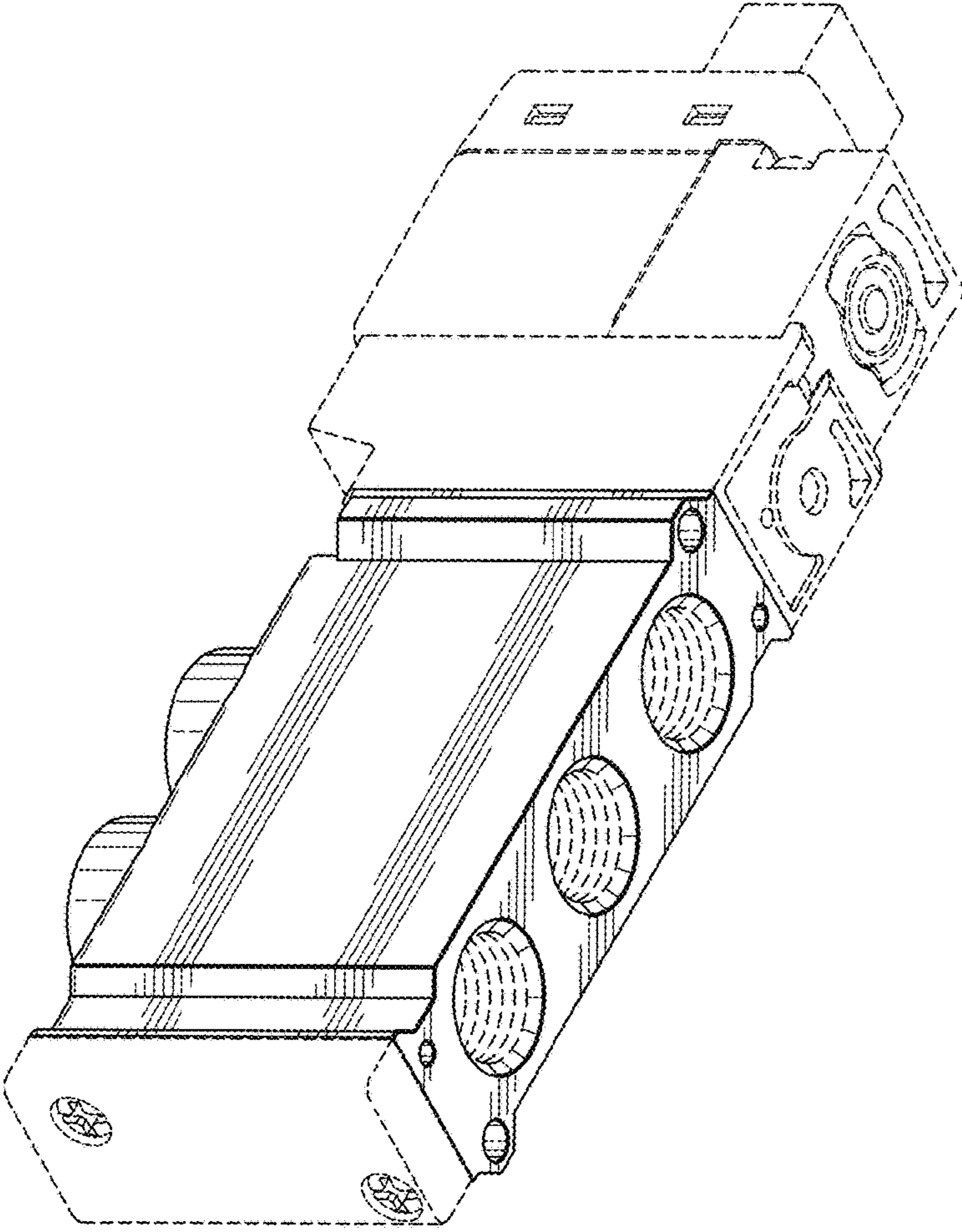


FIG. 2

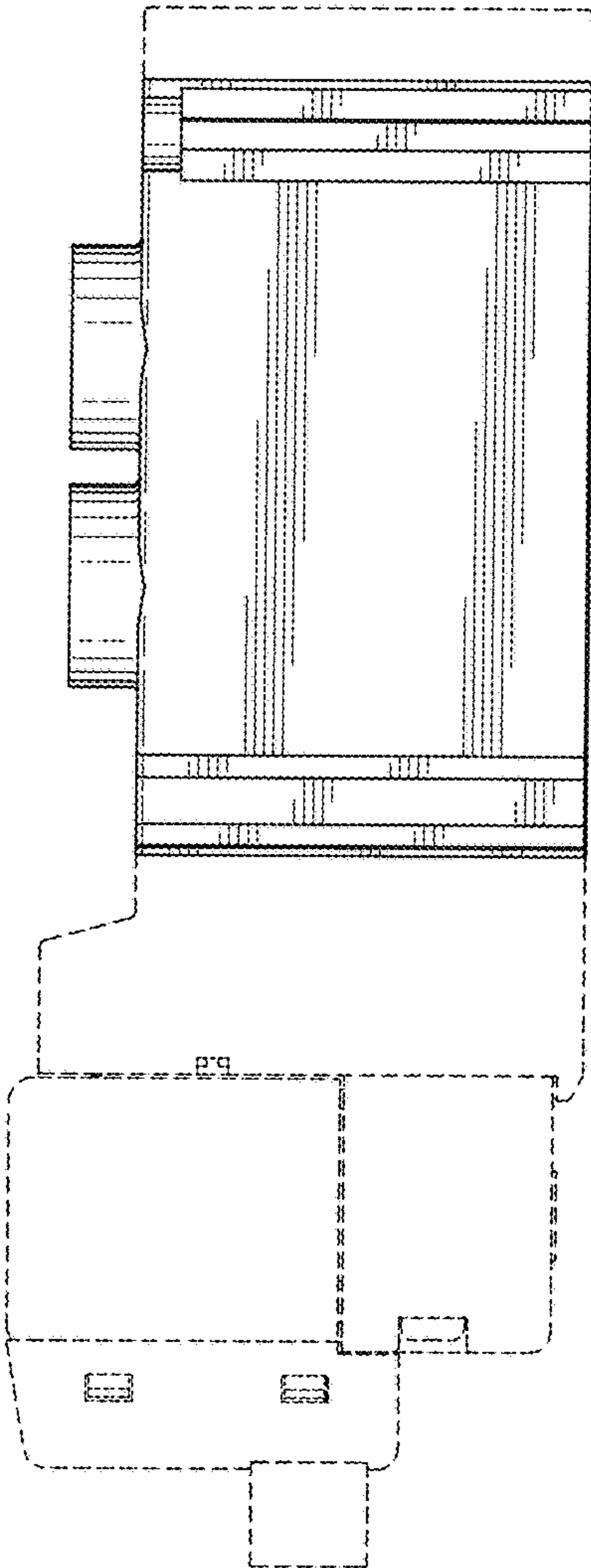


FIG. 3

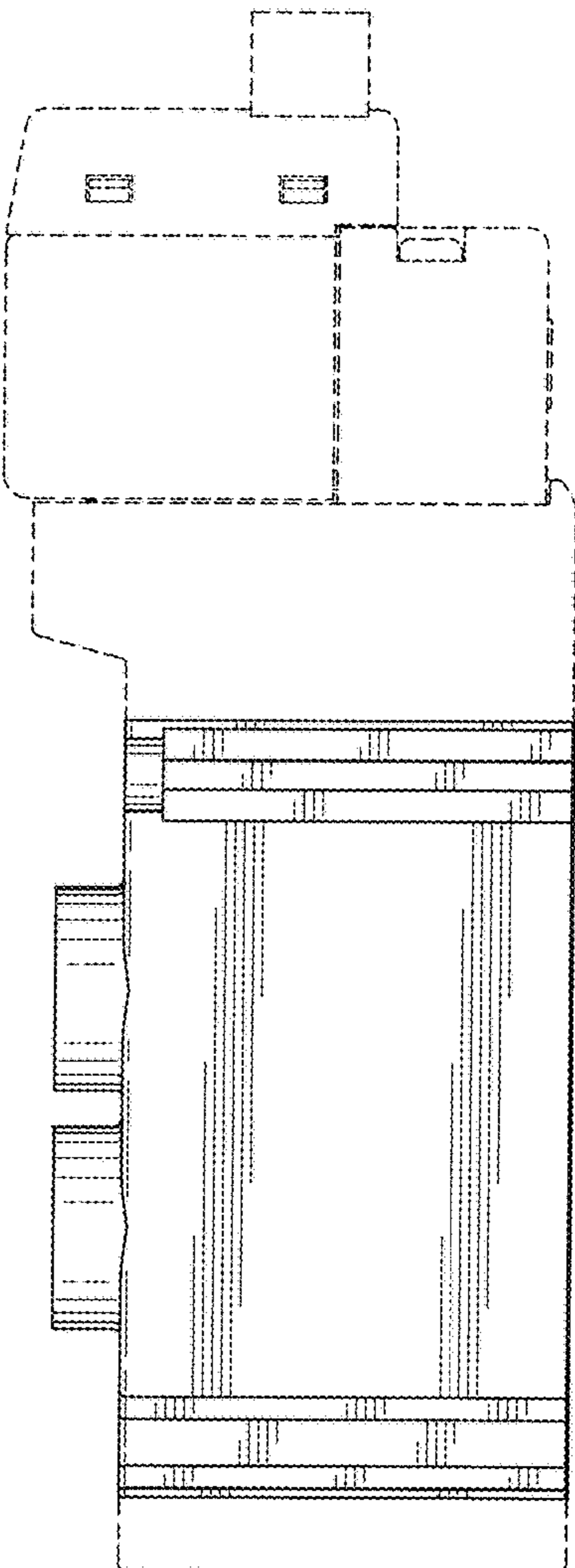


FIG. 4

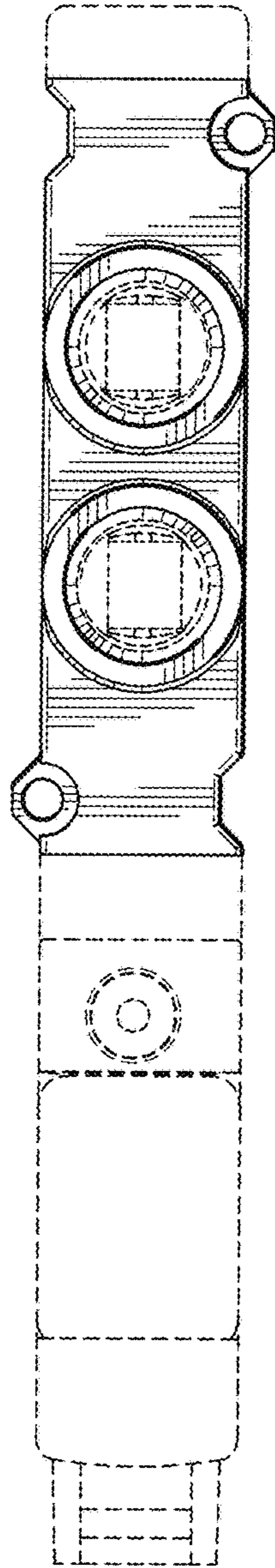


FIG. 5

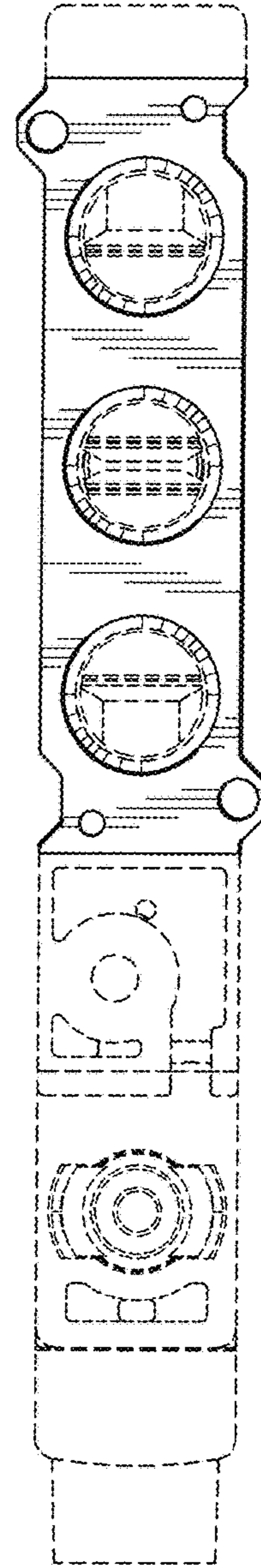


FIG. 6

FIG. 8

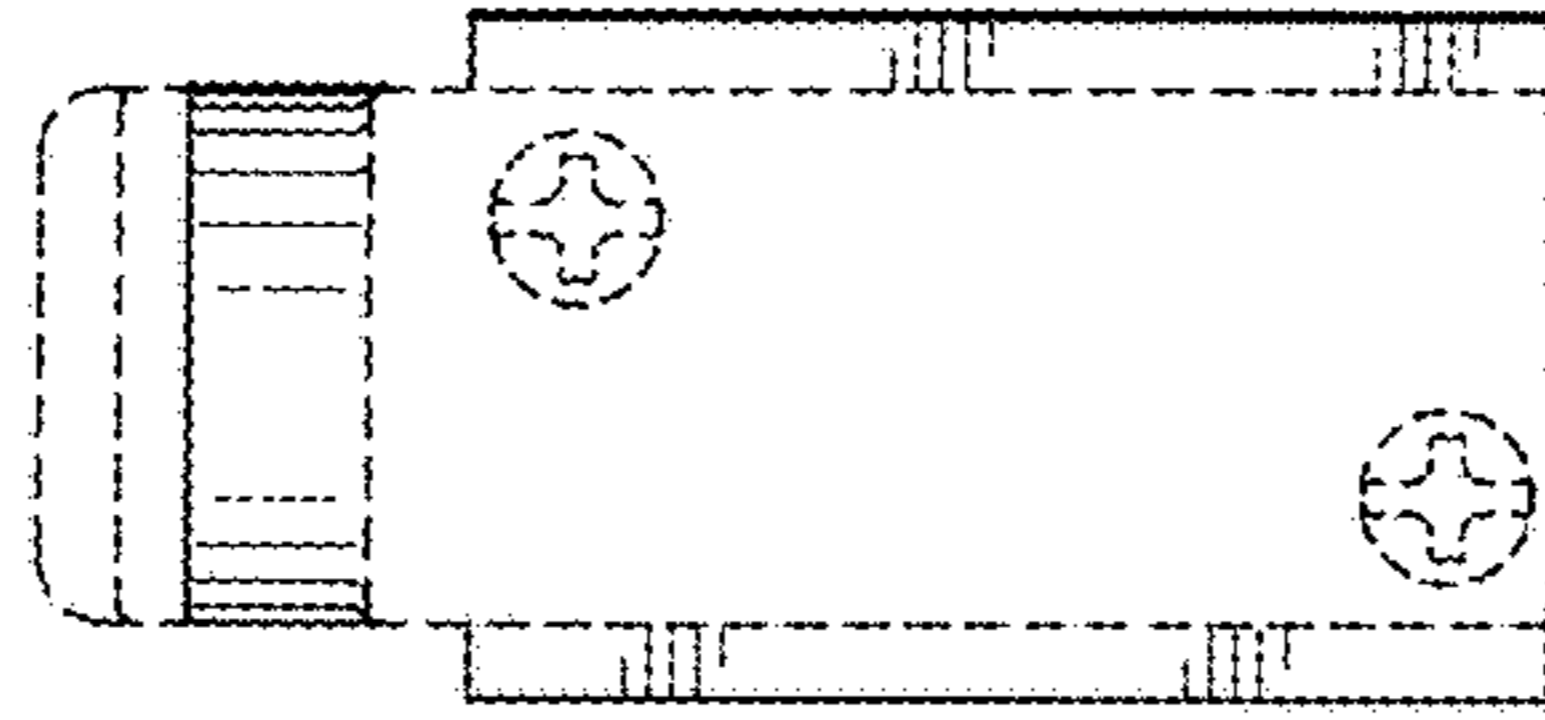


FIG. 7

