



US00D846696S

(12) **United States Design Patent** (10) **Patent No.:** **US D846,696 S**  
**Cocks et al.** (45) **Date of Patent:** **\*\* Apr. 23, 2019**

(54) **HAND SHOWER**  
(71) Applicant: **Phoenix Industries Pty Ltd,**  
Bayswater, Victoria (AU)  
(72) Inventors: **Andrew John Cocks,** Bayswater (AU);  
**Ban Hsi Liu,** Bayswater (AU)  
(73) Assignee: **Phoenix Industries Pty Ltd,**  
Bayswater, Victoria (AU)  
(\*\*) Term: **15 Years**  
(21) Appl. No.: **29/630,814**  
(22) Filed: **Dec. 22, 2017**

D669,156 S \* 10/2012 Schoenherr ..... D23/223  
D694,361 S \* 11/2013 Schoenherr ..... D23/223  
D697,177 S \* 1/2014 Schoenherr ..... D23/223  
D713,004 S \* 9/2014 Schoenherr ..... D23/223  
D713,498 S \* 9/2014 Schoenherr ..... D23/223  
D714,421 S \* 9/2014 Flowers ..... D23/223  
8,991,432 B2 \* 3/2015 Zhou ..... B05B 1/18  
137/883  
9,027,857 B2 \* 5/2015 Kull ..... B05B 1/1609  
239/569  
D733,258 S \* 6/2015 Sandee ..... D23/223  
9,046,261 B2 \* 6/2015 Zhang ..... F21V 33/004  
D737,932 S \* 9/2015 Nikles ..... D23/223  
D749,694 S \* 2/2016 Madsen ..... D23/213  
D778,402 S \* 2/2017 Schoenherr ..... D23/223  
D778,404 S \* 2/2017 Schoenherr ..... D23/223

\* cited by examiner

(30) **Foreign Application Priority Data**

Jun. 28, 2017 (AU) ..... 201713939

(51) **LOC (11) Cl.** ..... **23-01**

(52) **U.S. Cl.**  
USPC ..... **D23/223**

(58) **Field of Classification Search**  
USPC ..... D23/213, 223, 226, 229, 230  
CPC ..... A61H 9/0021; A61H 33/00; B05B 1/00;  
B05B 1/14; B05B 1/185; B05B 1/08;  
B05B 1/02; B05B 1/26; B05B 12/002;  
B05B 1/18  
See application file for complete search history.

(56) **References Cited**

U.S. PATENT DOCUMENTS

D590,917 S \* 4/2009 Schoenherr ..... D23/223  
D654,983 S \* 2/2012 Schoenherr ..... D23/223  
D655,386 S \* 3/2012 Schoenherr ..... D23/223  
D655,783 S \* 3/2012 Schoenherr ..... D23/223  
D659,794 S \* 5/2012 Flowers ..... D23/223

*Primary Examiner* — Robin V Webster

(74) *Attorney, Agent, or Firm* — Womble Bond Dickinson  
(US) LLP

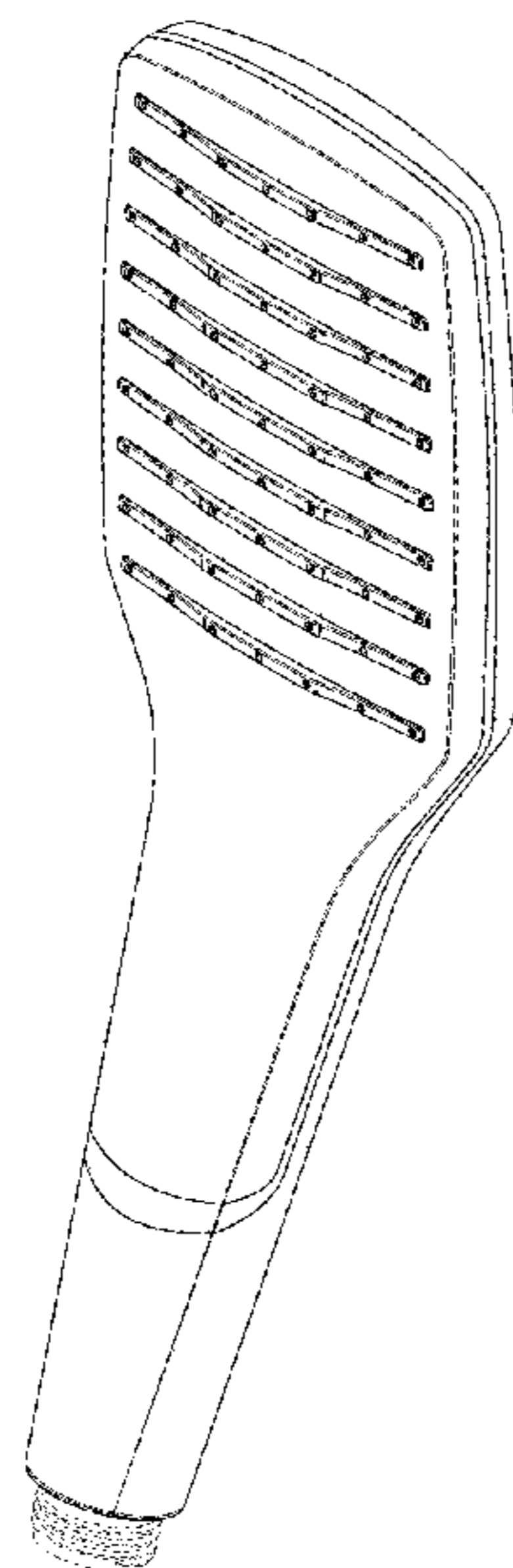
(57) **CLAIM**

The ornamental design for a hand shower, as shown and described.

**DESCRIPTION**

FIG. 1 is a front right perspective view of a hand shower incorporating our new design;  
FIG. 2 is a rear view thereof;  
FIG. 3 is a front view thereof;  
FIG. 4 is a right side view thereof, the left side view being a mirror image thereof;  
FIG. 5 is a top view thereof; and,  
FIG. 6 is a bottom view thereof.  
The broken line showing a portion of the hand shower is for illustration only and forms no part of the claimed design.

**1 Claim, 5 Drawing Sheets**



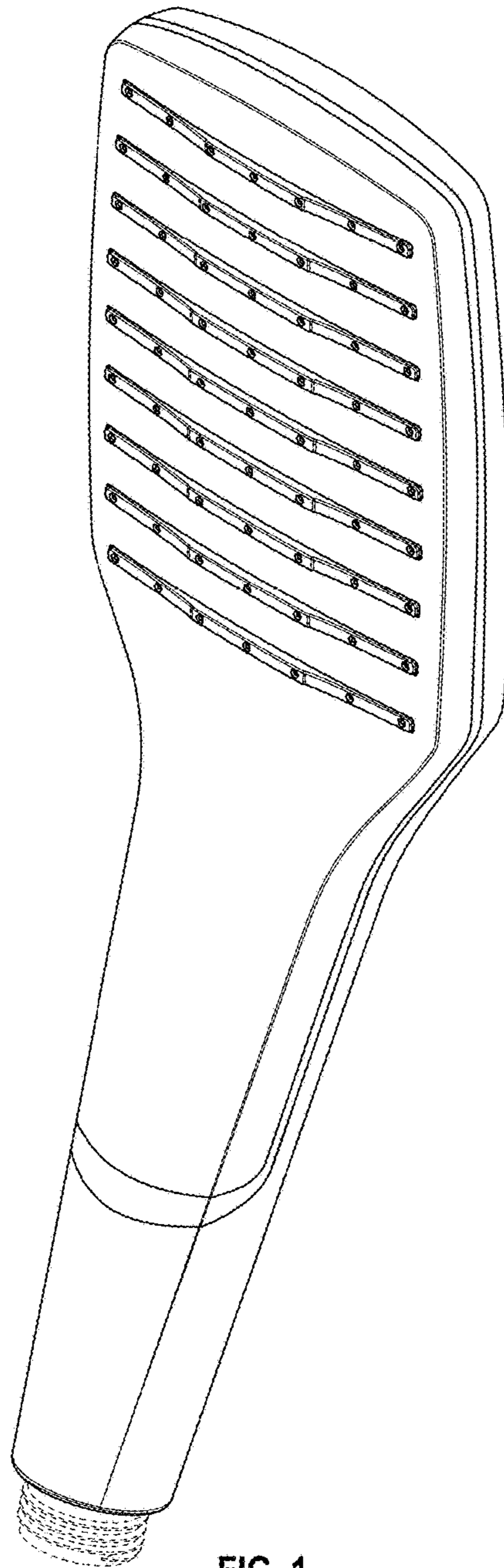


FIG. 1

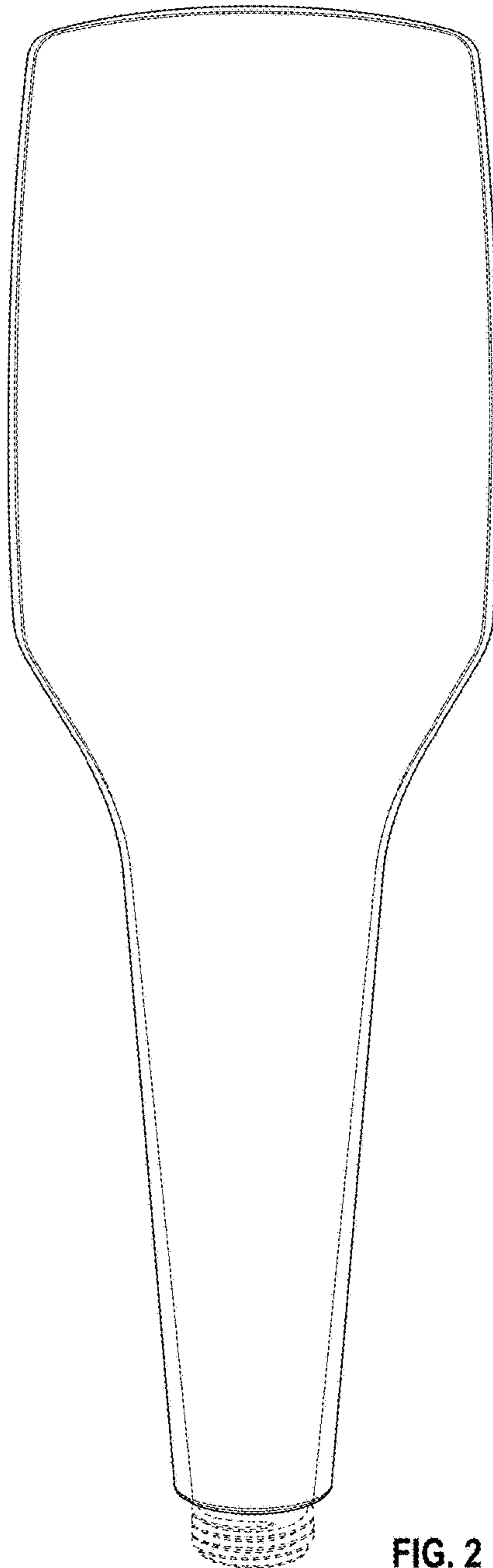


FIG. 2

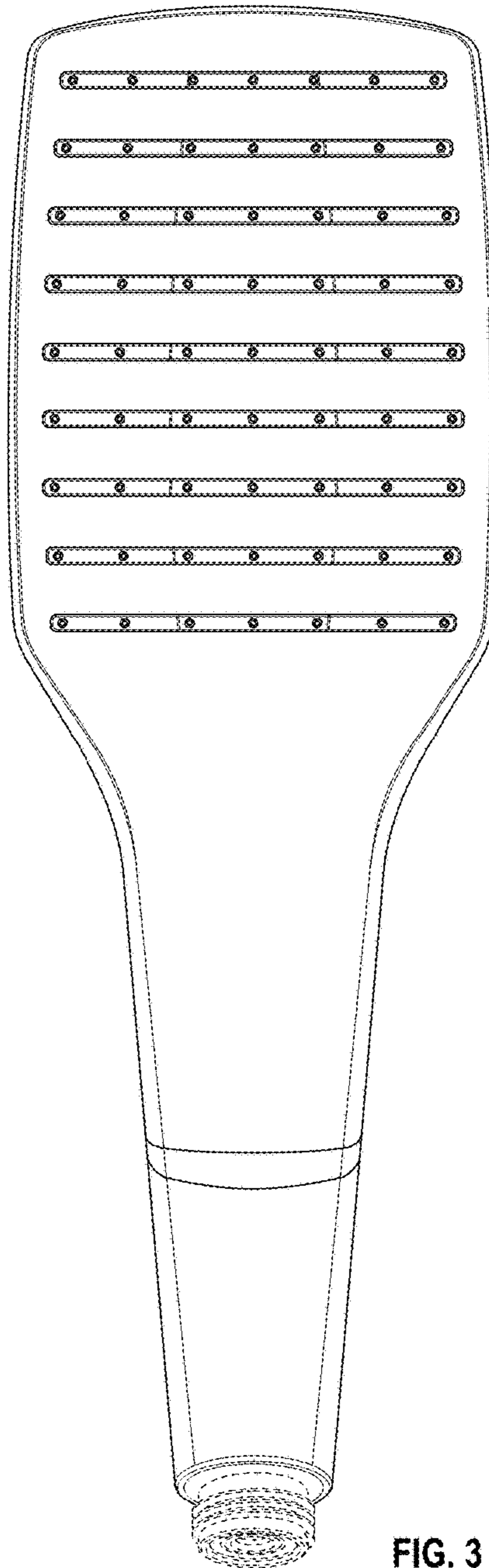


FIG. 3

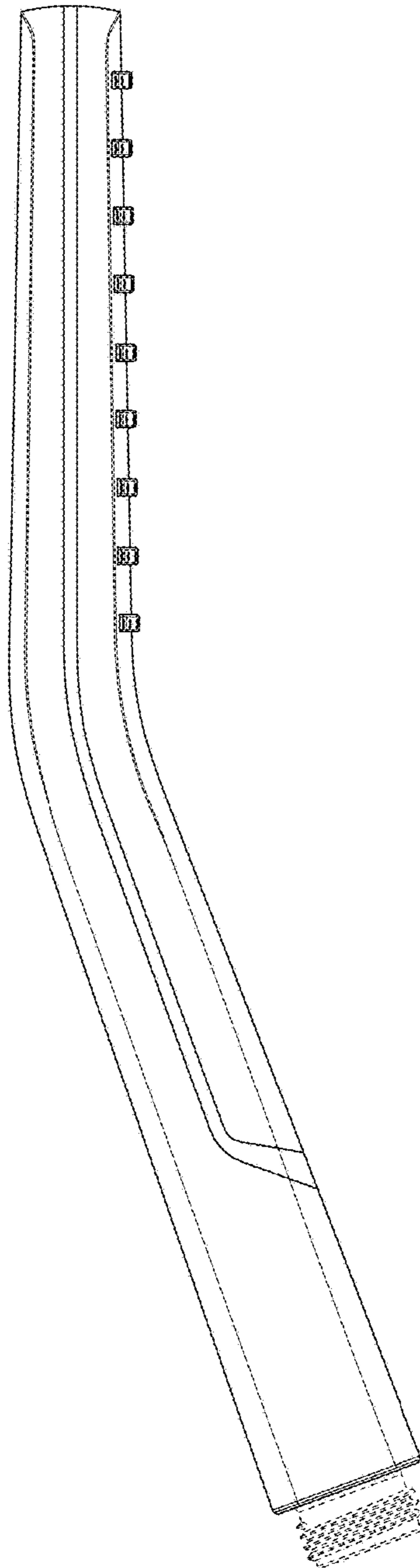


FIG. 4

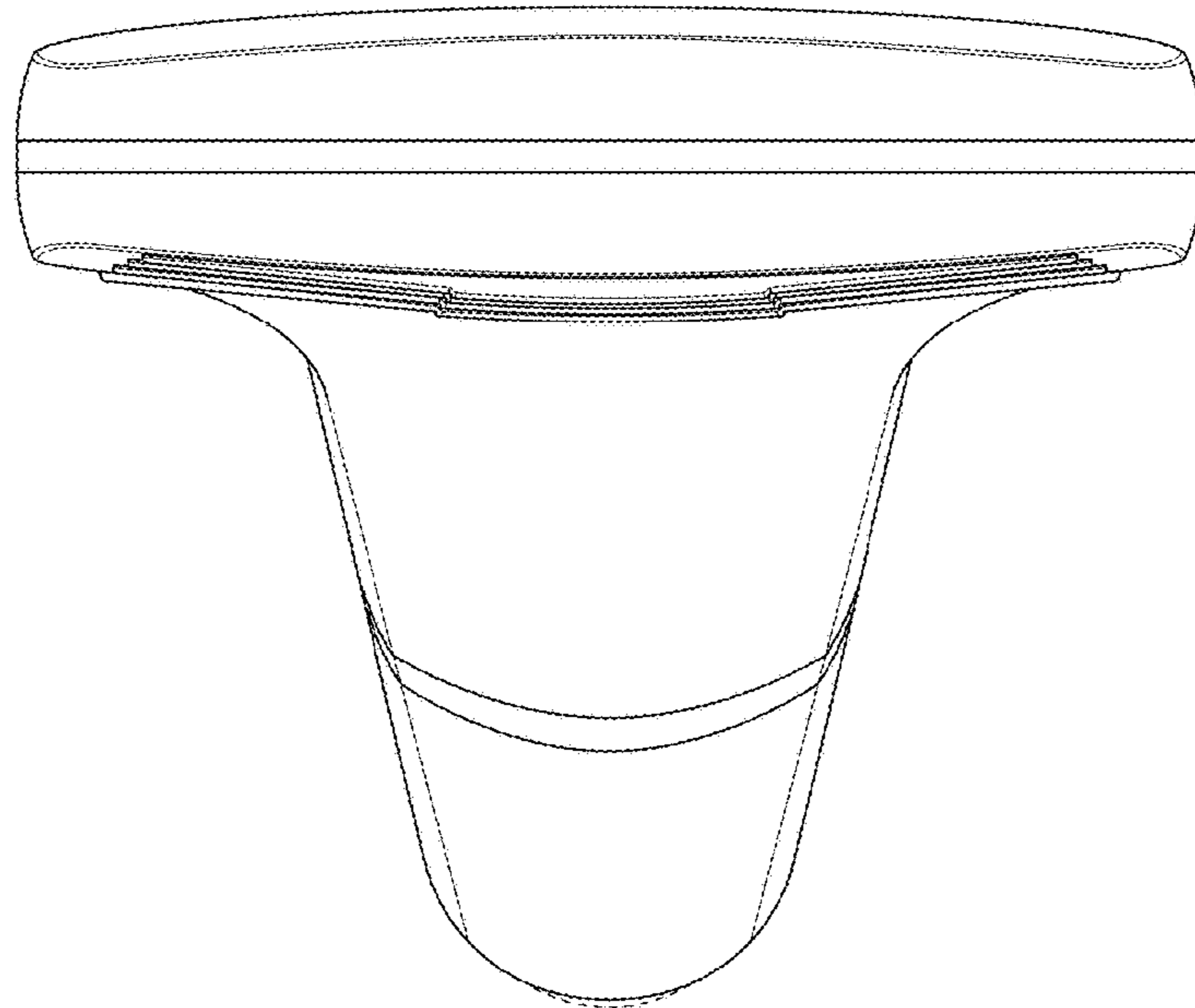


FIG. 5

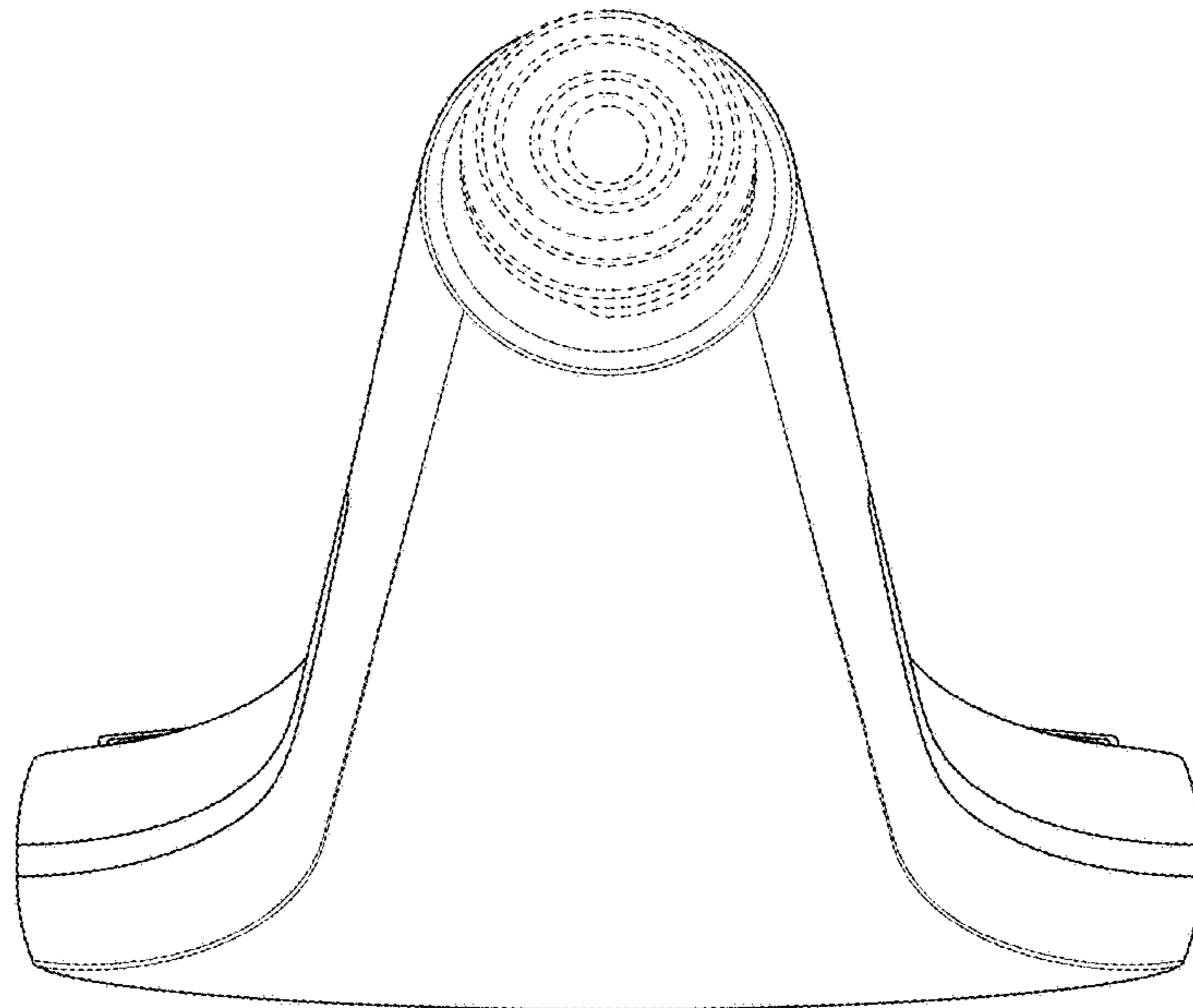


FIG. 6