



US00D846693S

(12) **United States Design Patent**
Zou

(10) **Patent No.:** **US D846,693 S**
(45) **Date of Patent:** **** Apr. 23, 2019**

(54) **FILTER UNIT**

D656,580 S * 3/2012 Sherman D23/209
D762,813 S * 8/2016 Lu D23/209
D831,787 S * 10/2018 Luo D23/209

(71) Applicant: **Qingdao Ecopure Filter Co., Ltd,**
Qingdao (CN)

* cited by examiner

(72) Inventor: **Zhibin Zou,** Qingdao (CN)

Primary Examiner — Robin V Webster

(73) Assignee: **QINGDAO ECOPURE FILTER CO., LTD.,** Jimo, Qingdao (CN)

(74) *Attorney, Agent, or Firm* — Muncy, Geissler, Olds & Lowe, P.C.

(**) Term: **15 Years**

(21) Appl. No.: **29/624,456**

(57) **CLAIM**

(22) Filed: **Nov. 1, 2017**

The ornamental design for a filter unit, as shown and described.

(51) **LOC (11) Cl.** **23-01**

(52) **U.S. Cl.**
USPC **D23/209**

(58) **Field of Classification Search**
USPC D23/200, 207, 209
CPC B01D 35/30; B01D 35/153; B01D 35/306;
B01D 2201/30; B01D 2201/29; B01D
24/10; B01D 36/02; C02F 1/002; C02F
1/003

DESCRIPTION

See application file for complete search history.

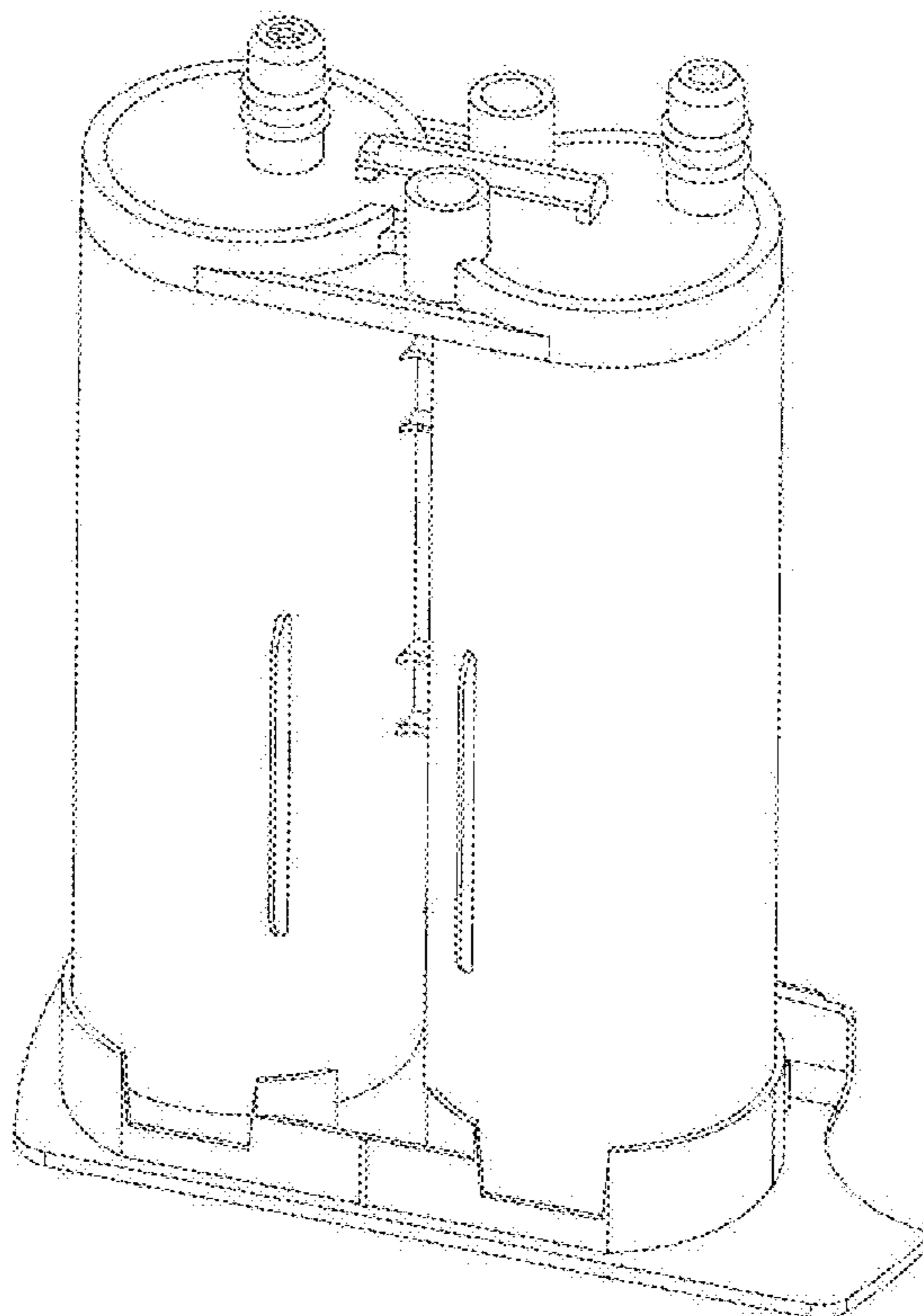
FIG. 1 is a Front elevational view of a filter unit showing my new design;
FIG. 2 is a Rear elevational view thereof;
FIG. 3 is a Left side view thereof;
FIG. 4 is a Right side view thereof;
FIG. 5 is a Top plan view thereof;
FIG. 6 is a Bottom plan view thereof; and,
FIG. 7 is a Perspective views thereof.

(56) **References Cited**

U.S. PATENT DOCUMENTS

D656,578 S * 3/2012 Sherman D23/209
D656,579 S * 3/2012 Sherman D23/209

1 Claim, 7 Drawing Sheets



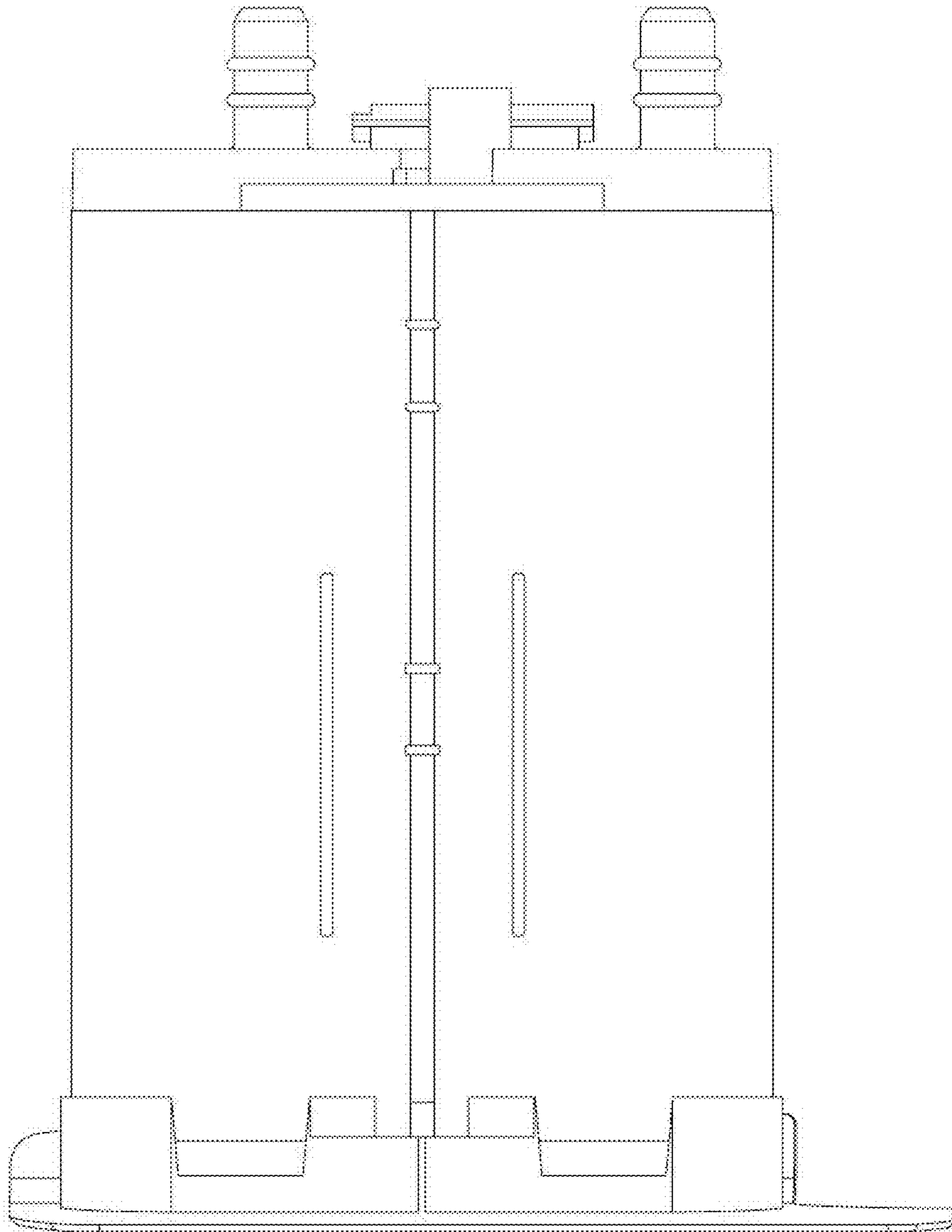


FIG. 1

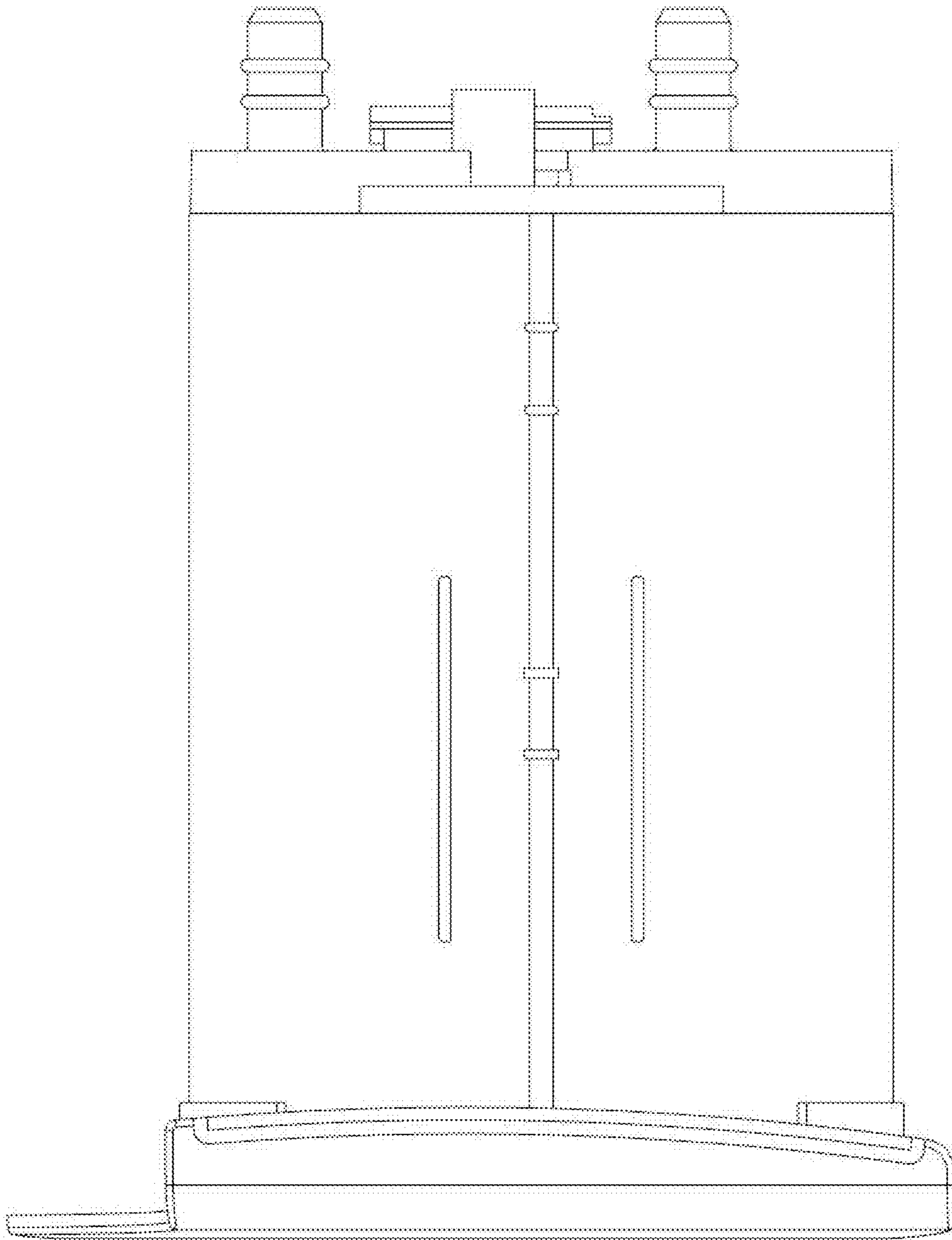


FIG. 2

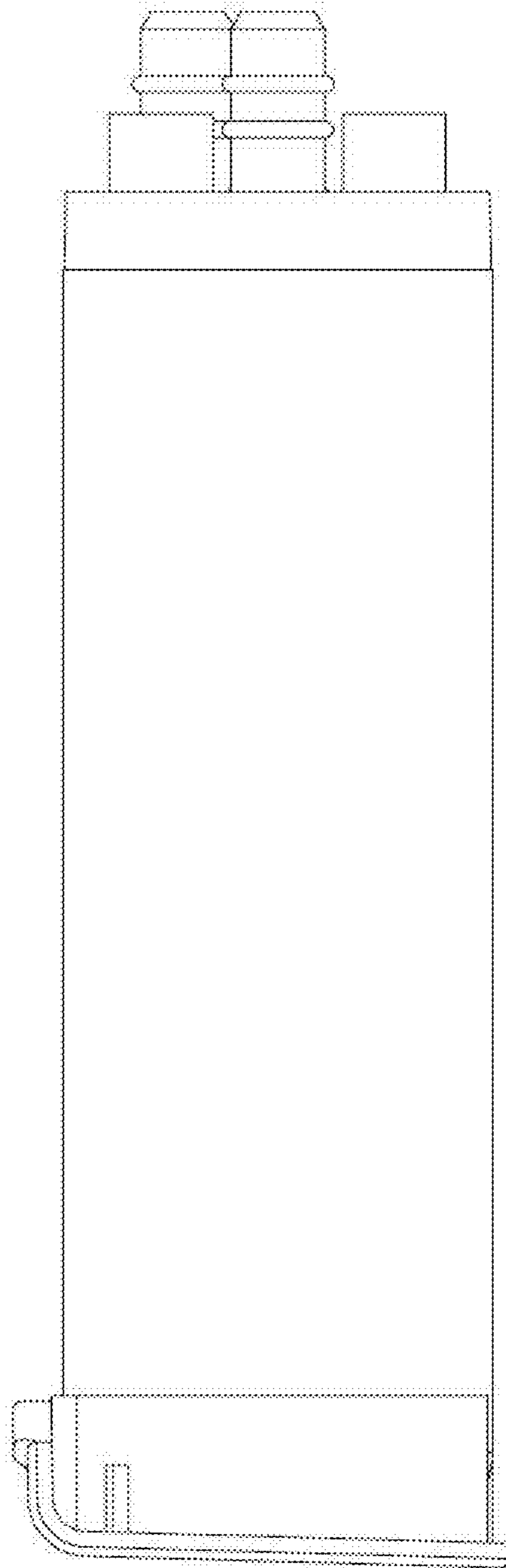


FIG. 3

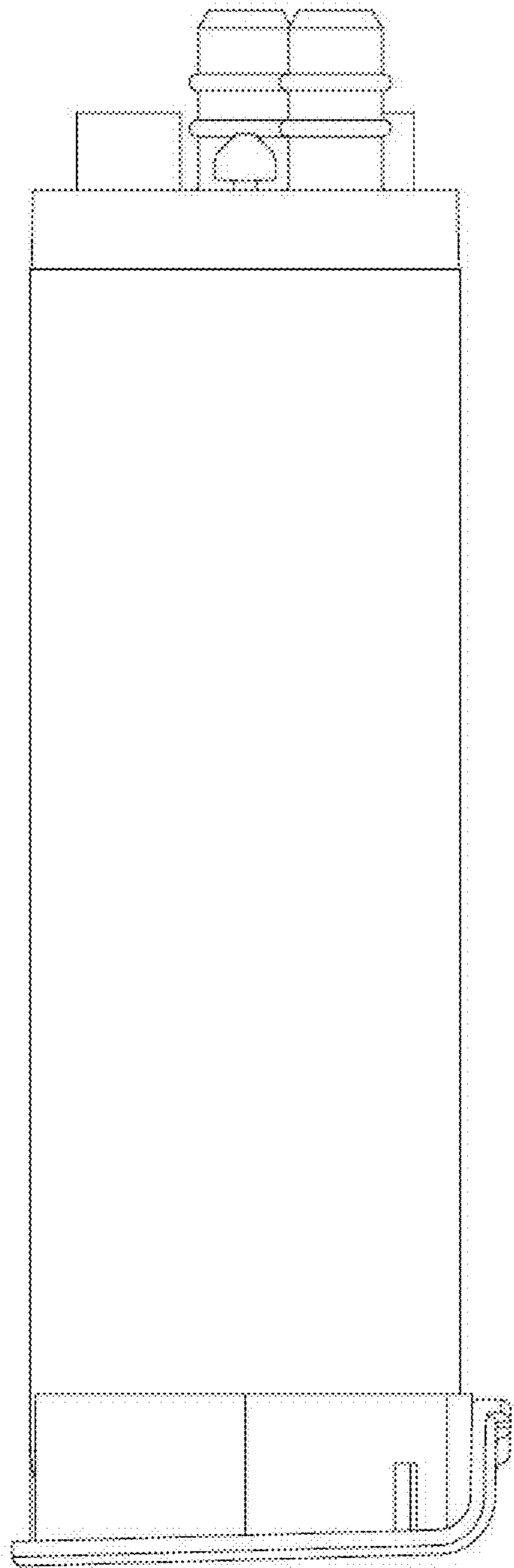


FIG. 4

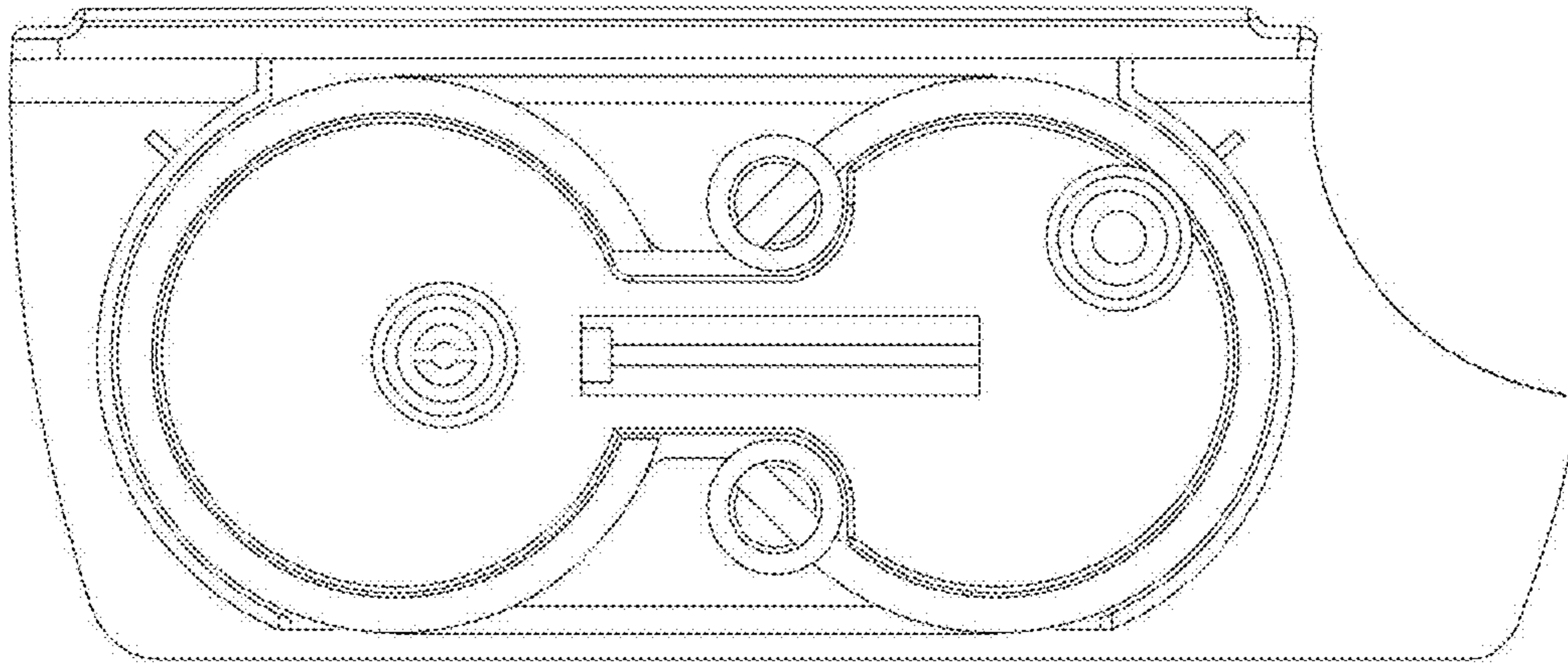


FIG. 5

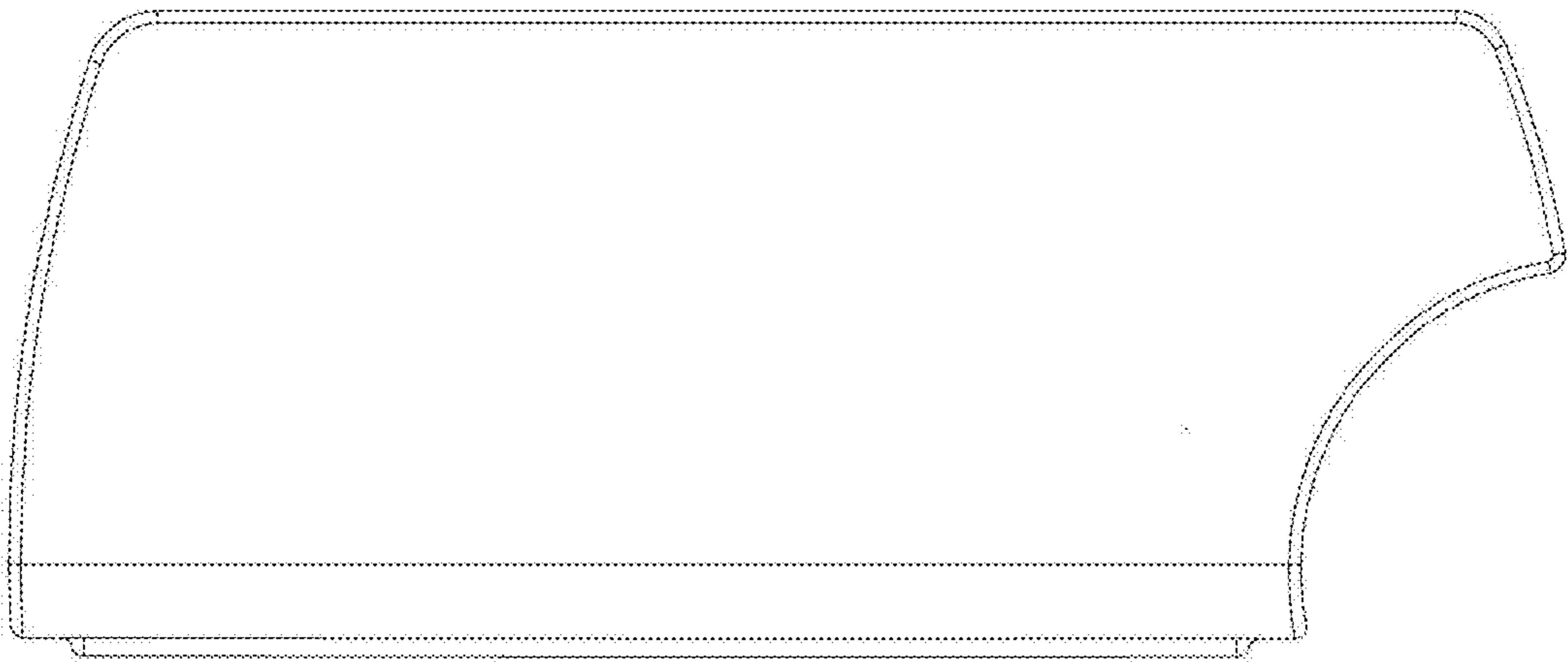


FIG. 6

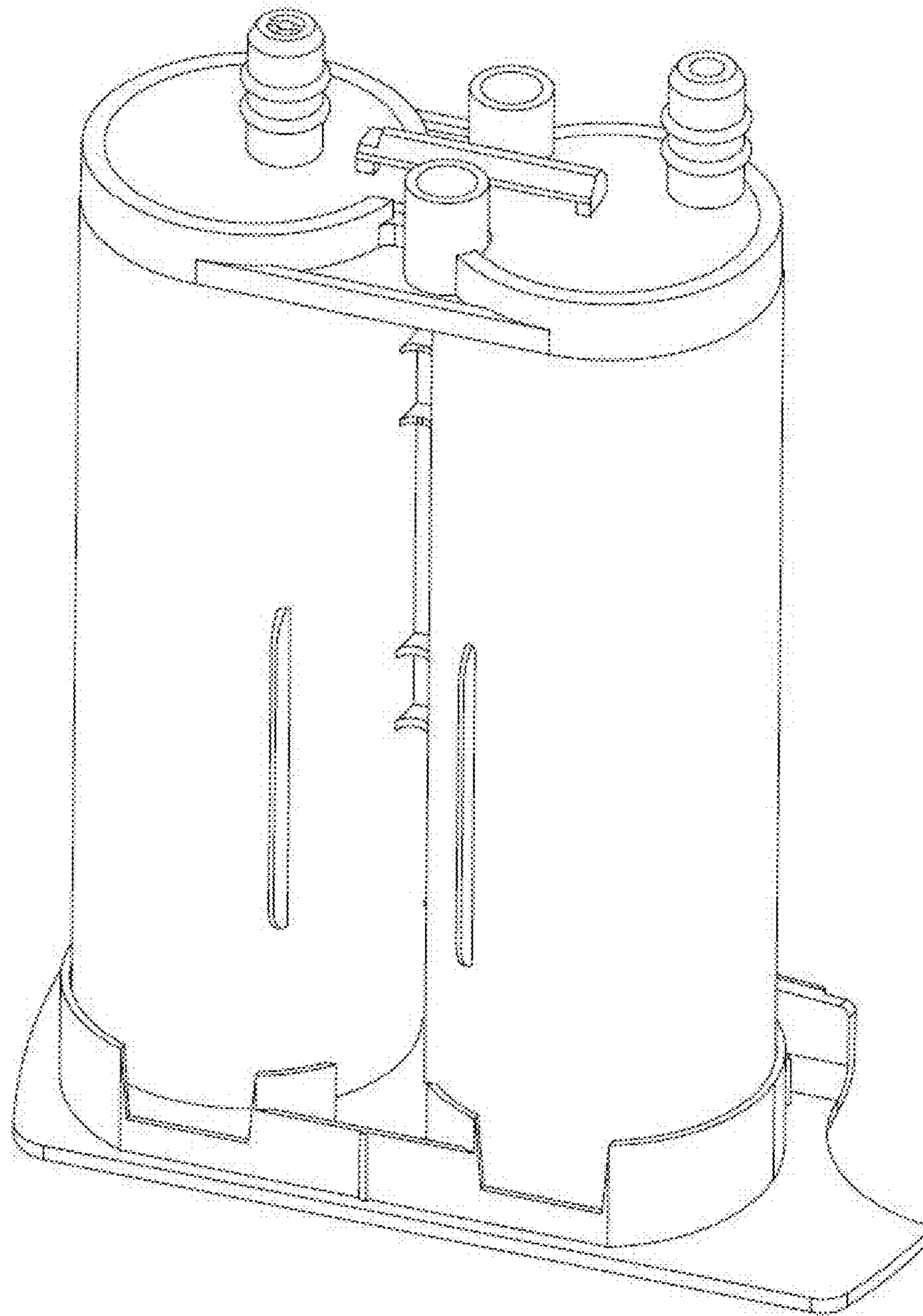


FIG. 7