

US00D846691S

(12) **United States Design Patent**
Cheng et al.

(10) **Patent No.:** **US D846,691 S**

(45) **Date of Patent:** **** Apr. 23, 2019**

(54) **REFLEX SIGHT**

(71) Applicants: **Carson Cheng**, City of Industry, CA (US); **Michael Cheng**, City of Industry, CA (US); **Changan Tian**, City of Industry, CA (US)

(72) Inventors: **Carson Cheng**, City of Industry, CA (US); **Michael Cheng**, City of Industry, CA (US); **Changan Tian**, City of Industry, CA (US)

(73) Assignee: **NcSTAR, Inc**, City of Industry, CA (US)

(**) Term: **15 Years**

(21) Appl. No.: **29/633,789**

(22) Filed: **Jan. 16, 2018**

(51) **LOC (11) Cl.** **22-01**

(52) **U.S. Cl.**
USPC **D22/109**

(58) **Field of Classification Search**
USPC D22/100, 108, 199
CPC F41G 1/30; F41G 1/45
See application file for complete search history.

(56) **References Cited**

U.S. PATENT DOCUMENTS

D378,936 S *	4/1997	DePaoli	D22/109
7,484,856 B1 *	2/2009	Newhall	F41G 1/04 359/511
8,024,885 B1 *	9/2011	Newhall	F41G 1/04 359/511
D662,566 S *	6/2012	Estes	D22/109
D679,775 S *	4/2013	Cheng	D22/109
D704,296 S *	5/2014	Cheng	D22/109
D730,477 S *	5/2015	Huynh	D22/109

D747,431 S *	1/2016	Cheng	D22/109
D764,007 S *	8/2016	Horton	D22/109
D765,212 S *	8/2016	Cheng	D22/109
D778,390 S *	2/2017	Zhang	D22/109
D784,480 S *	4/2017	Oz	D22/109
D787,627 S *	5/2017	Horton	D22/109
D803,347 S *	11/2017	Cheng	D22/109
D819,160 S *	5/2018	Hamilton	D22/109
D837,927 S *	1/2019	Trulsson	D22/109
2012/0055063 A1 *	3/2012	Lindau	F41G 1/30 42/113
2014/0237884 A1 *	8/2014	Koesler	F41G 1/30 42/119
2014/0305021 A1 *	10/2014	Prieto	F41G 11/003 42/111
2017/0038177 A1 *	2/2017	Sun	F41G 1/30

* cited by examiner

Primary Examiner — Karen S Acker

Assistant Examiner — Steven B Reinholdt, Jr.

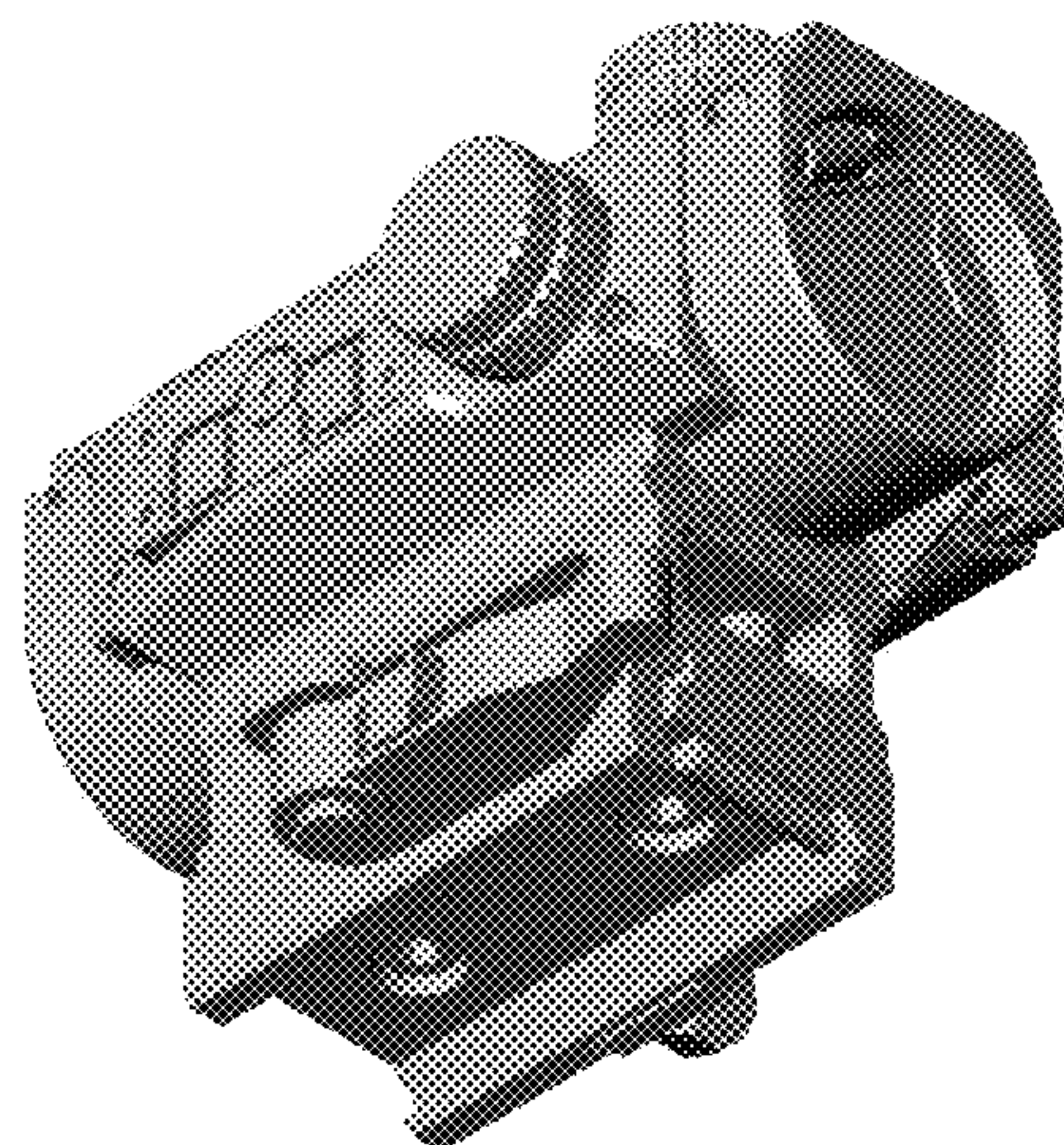
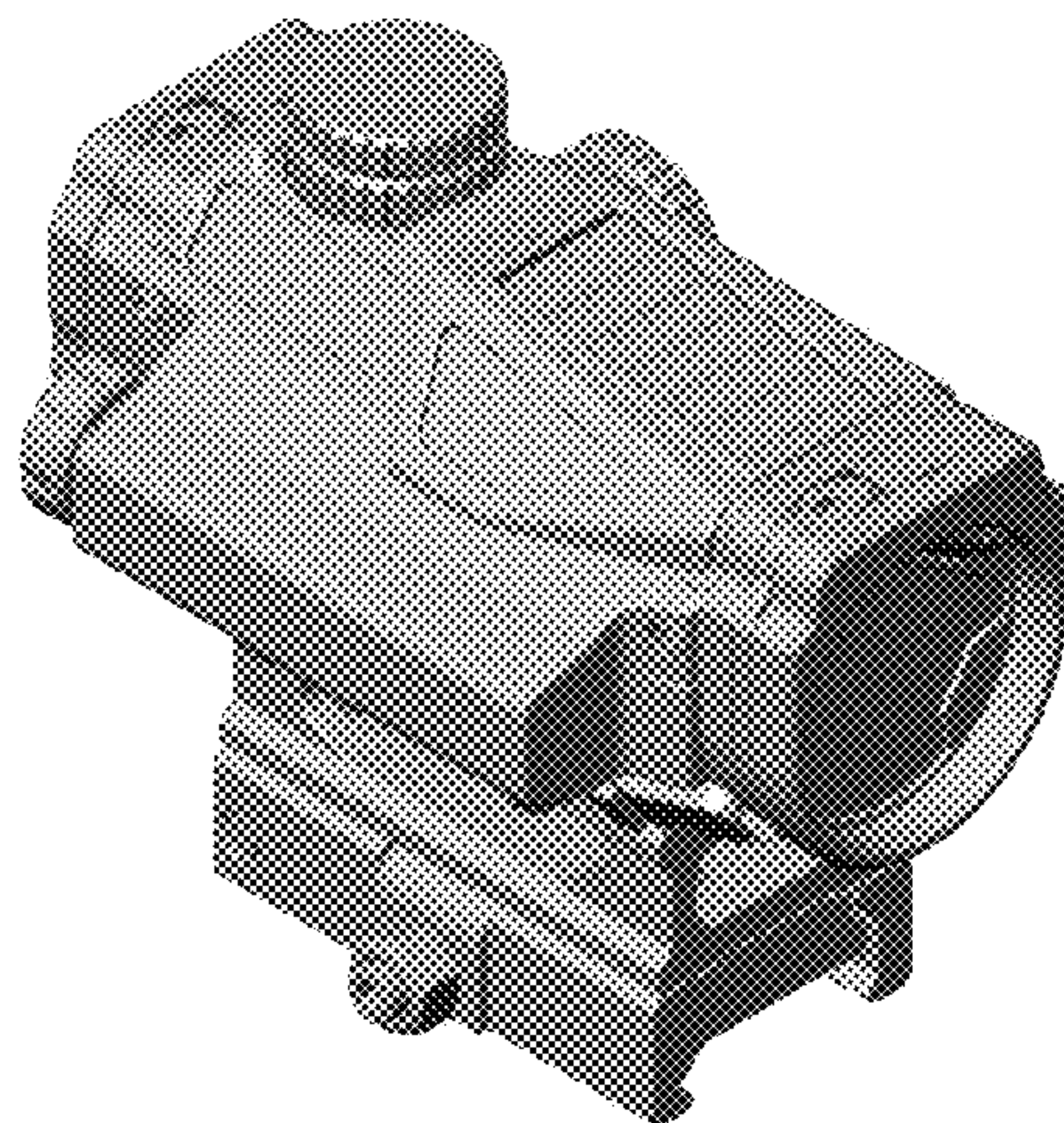
(57) **CLAIM**

The ornamental design for a reflex sight, as shown and described.

DESCRIPTION

FIG. 1 is a front view of the reflex sight of our new design; FIG. 2 is a rear view thereof; FIG. 3 is a left view thereof; FIG. 4 is a right view thereof; FIG. 5 is a top view thereof; FIG. 6 is a bottom view thereof; FIG. 7 is a top, left, and rear perspective view thereof; FIG. 8 is a top, right, and front perspective view thereof; FIG. 9 is a bottom, left, and rear perspective view thereof; and, FIG. 10 is a bottom, right, and front perspective view thereof.

1 Claim, 7 Drawing Sheets



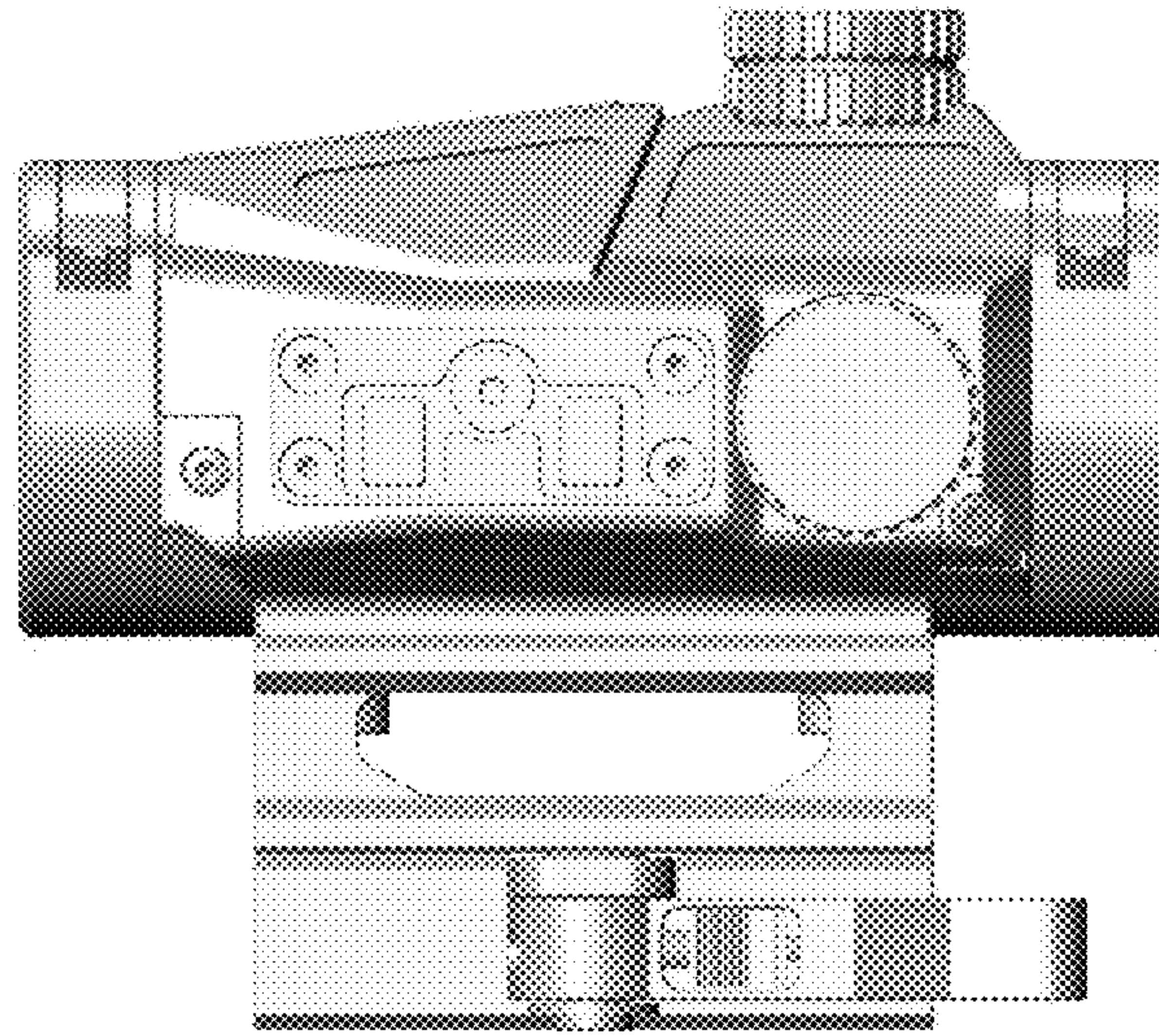


FIG. 1

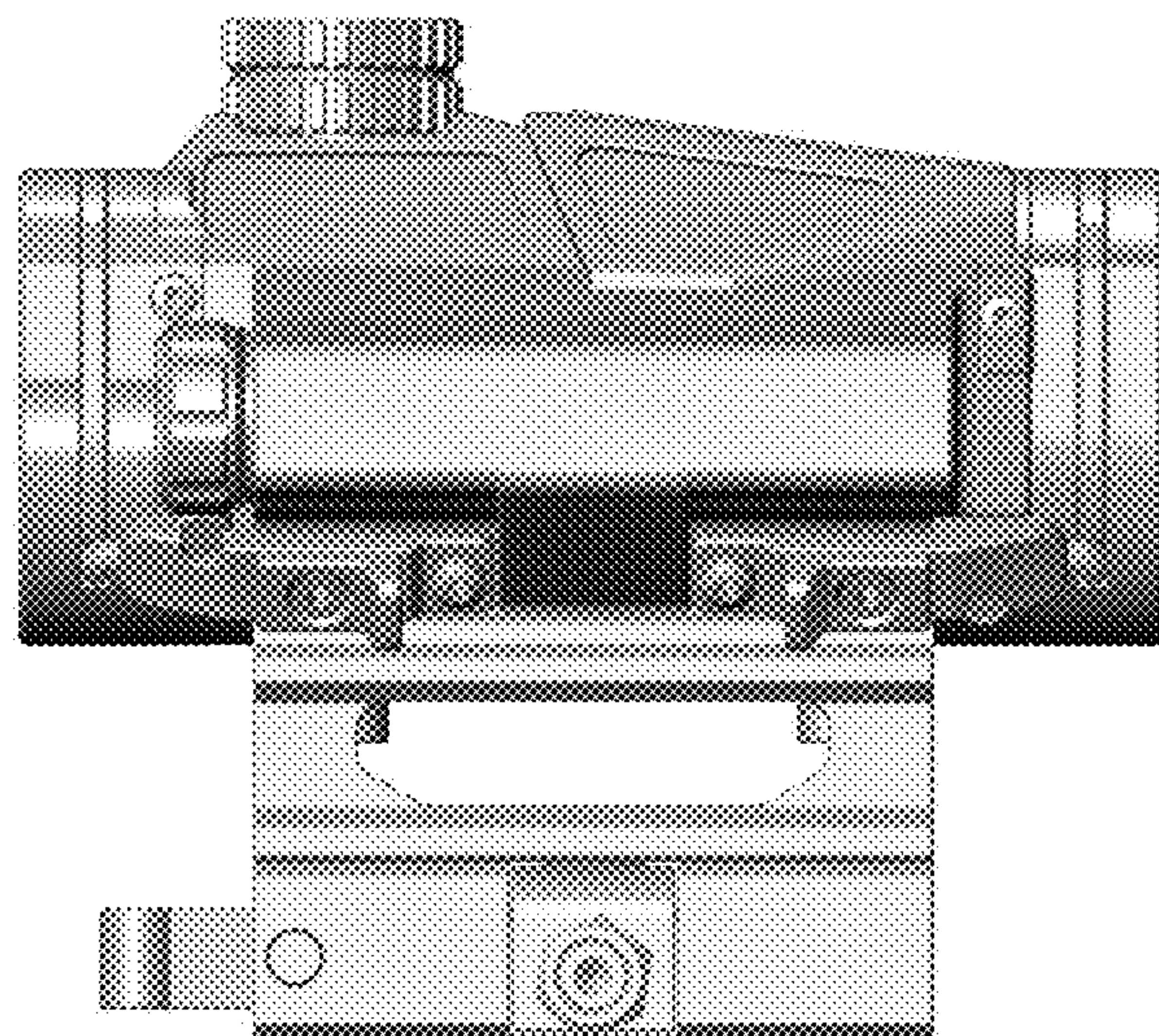


FIG. 2

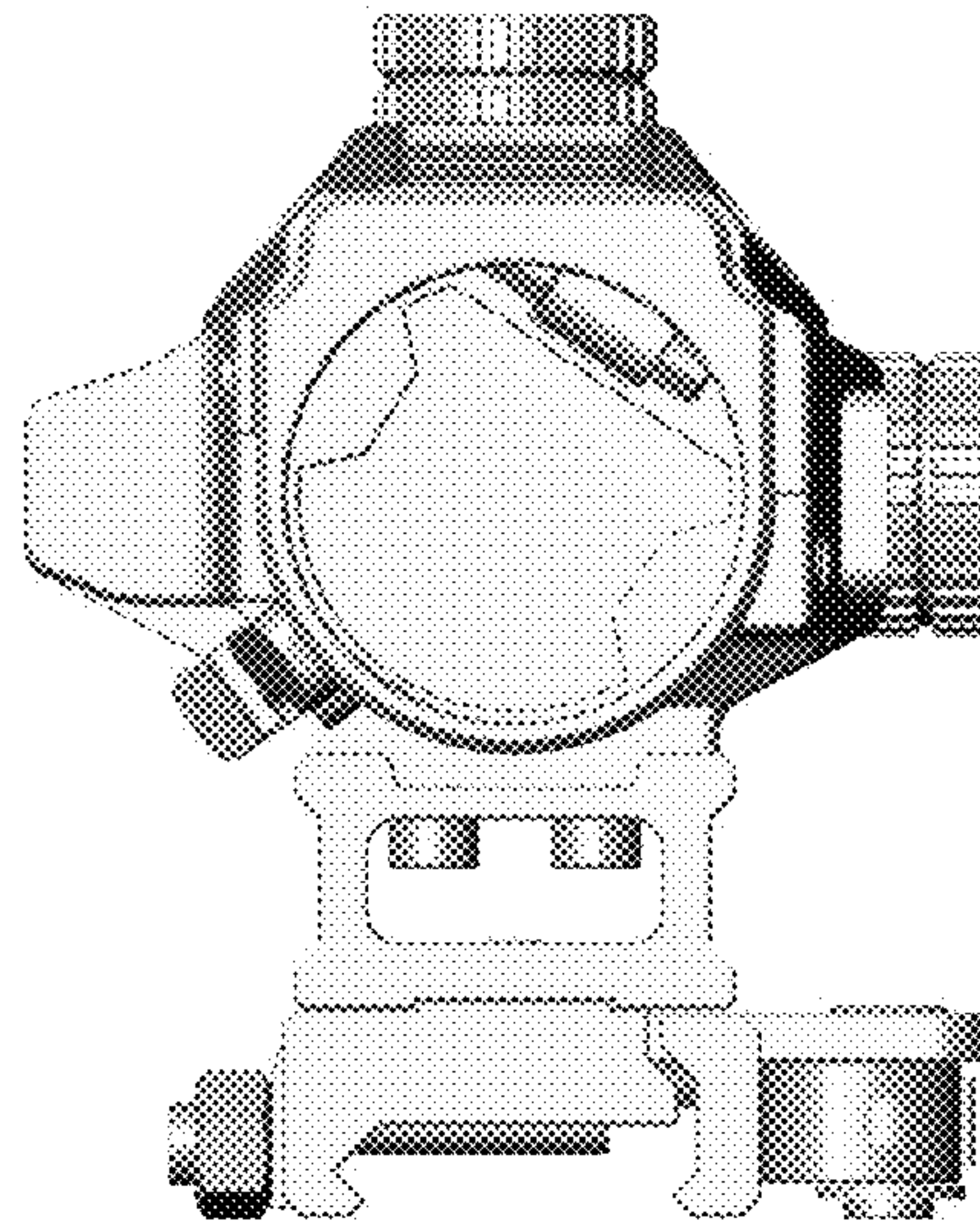


FIG. 3

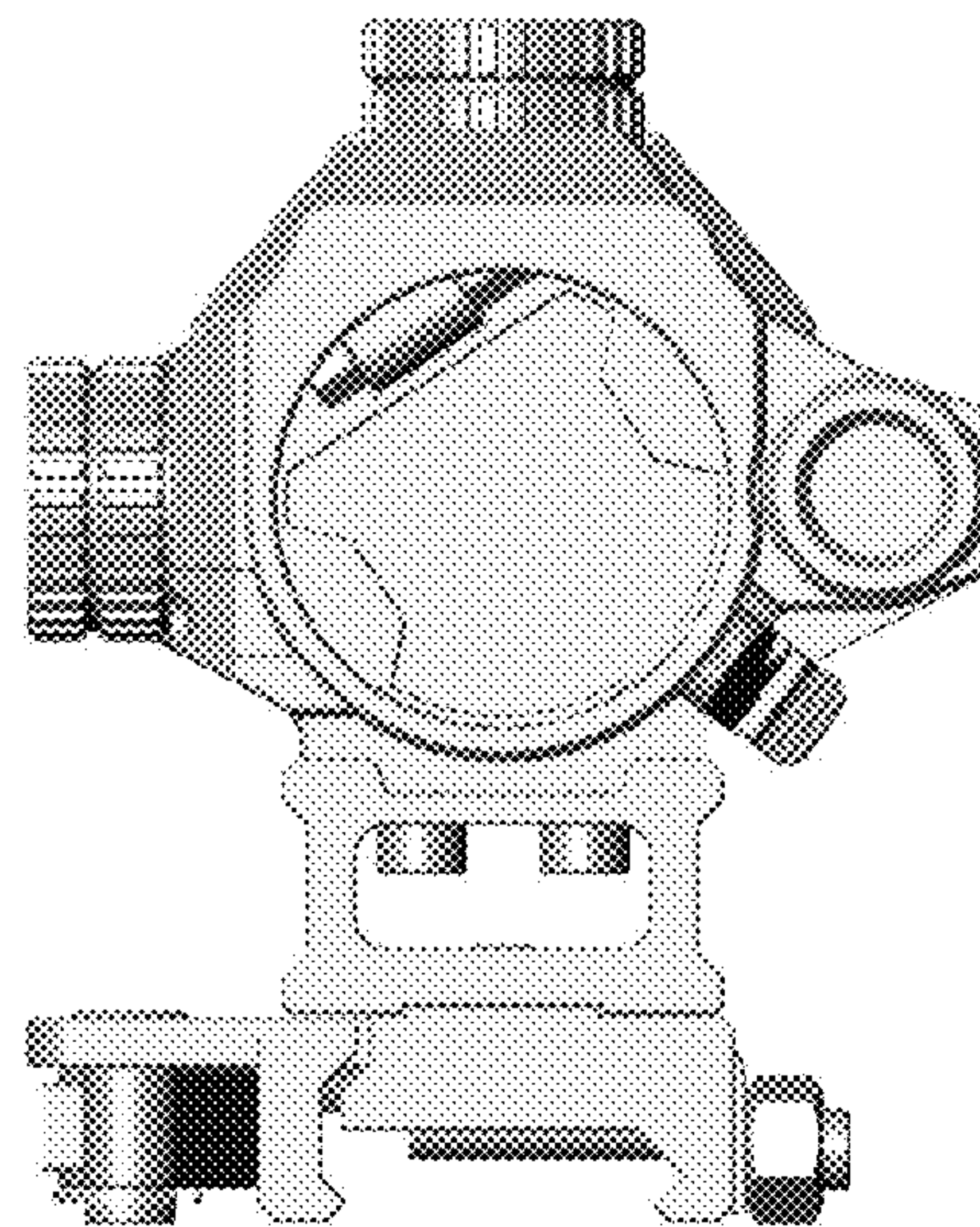


FIG. 4

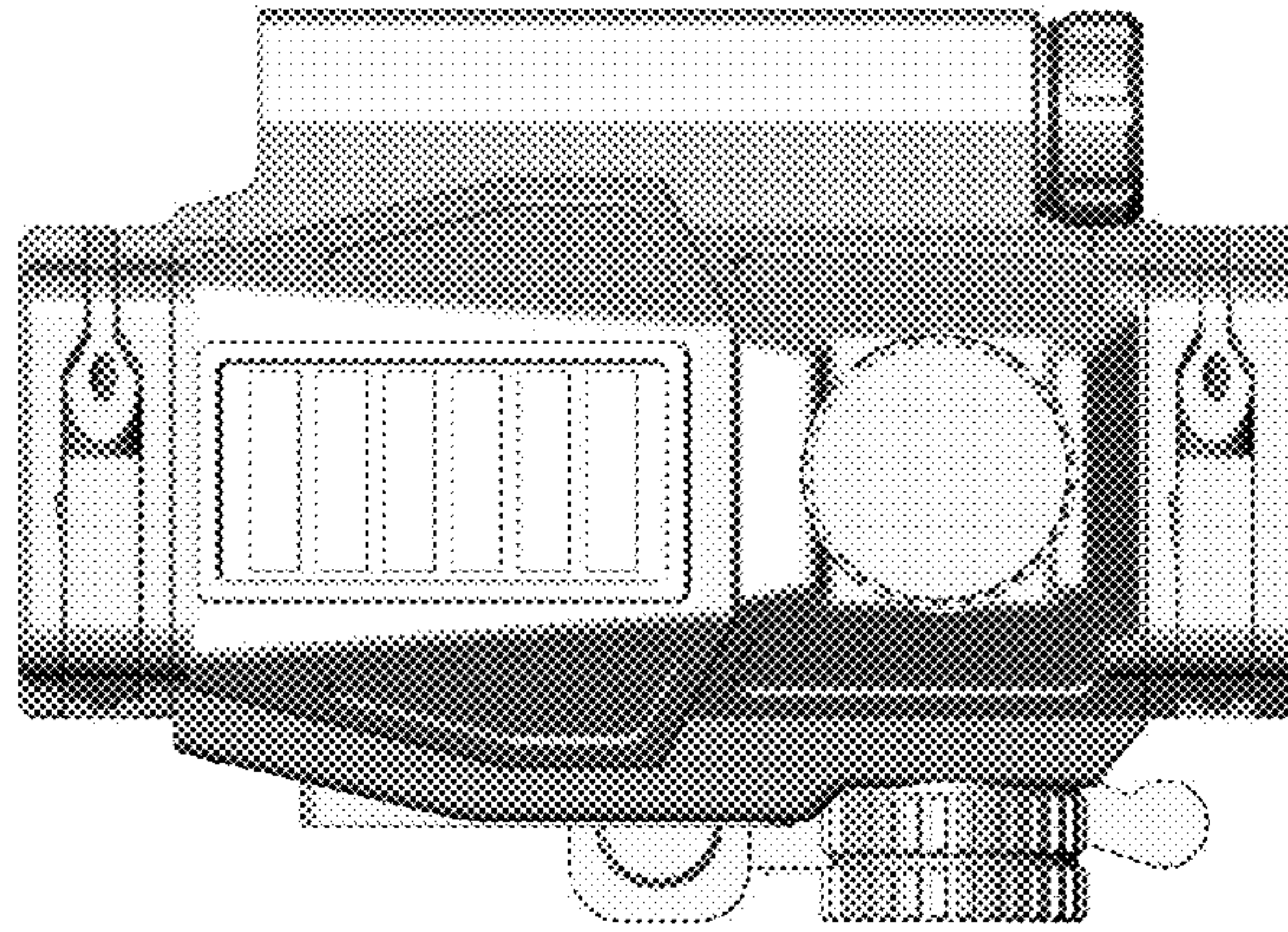


FIG. 5

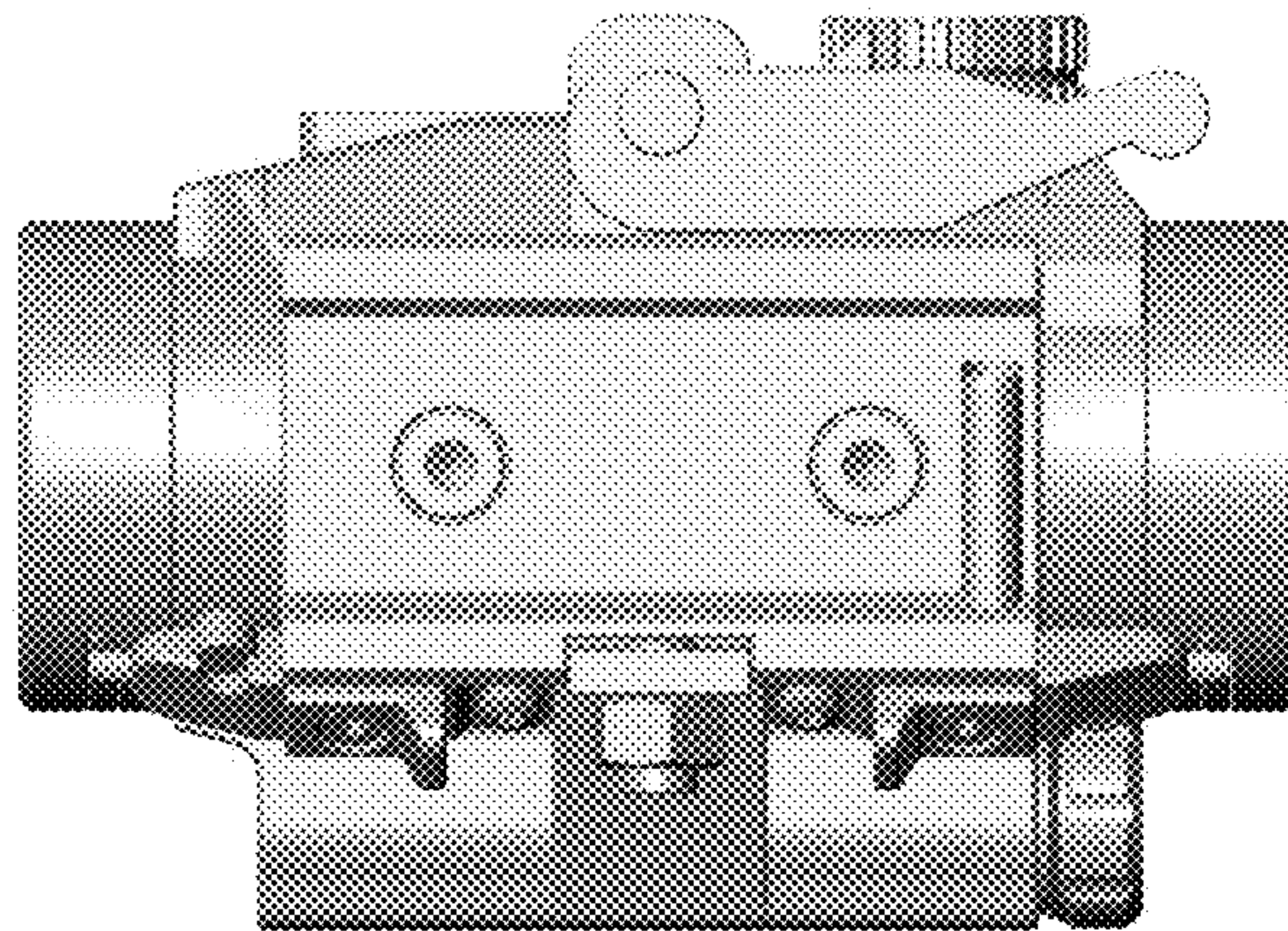


FIG. 6

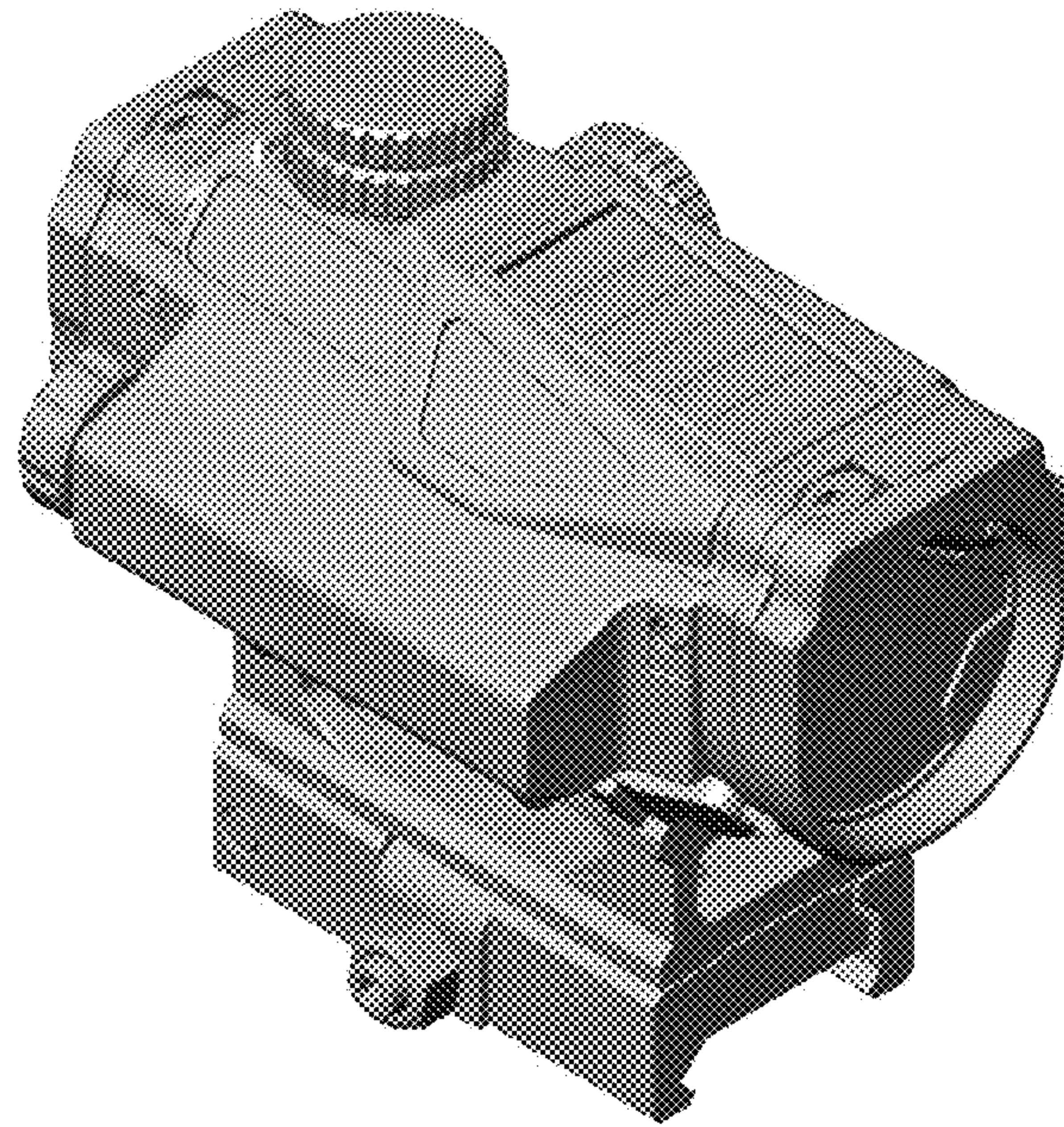


FIG. 7

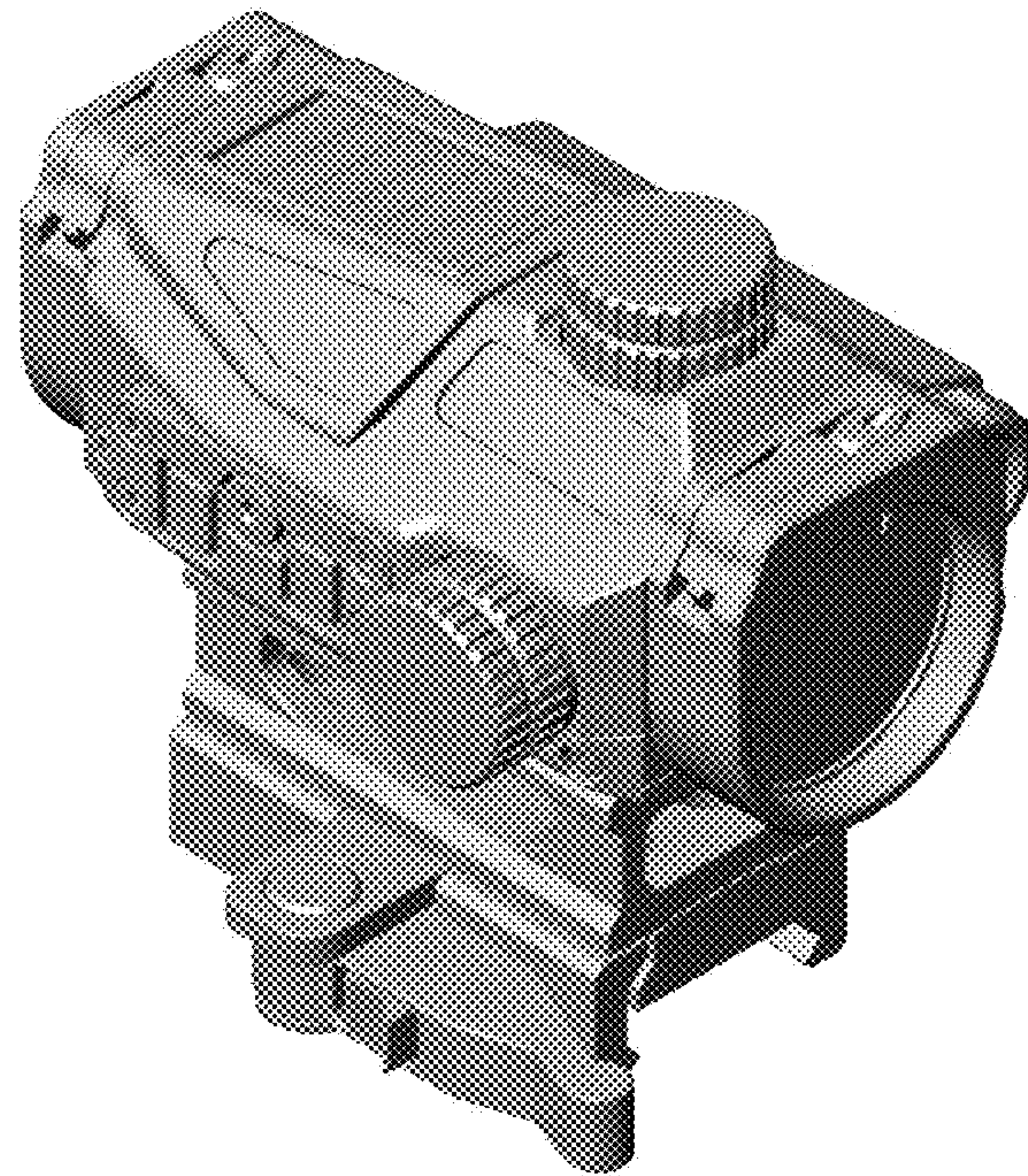


FIG. 8

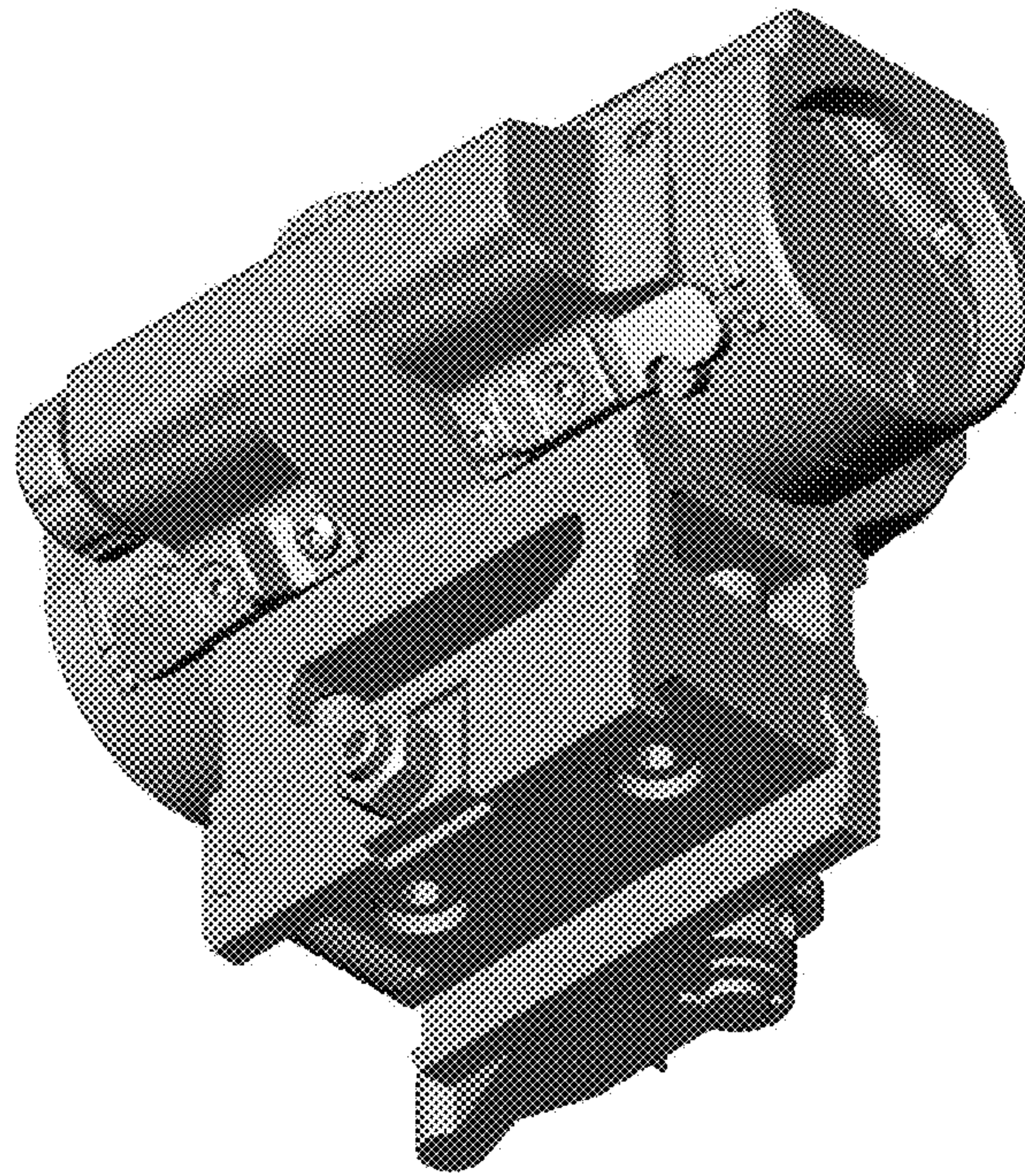


FIG. 9

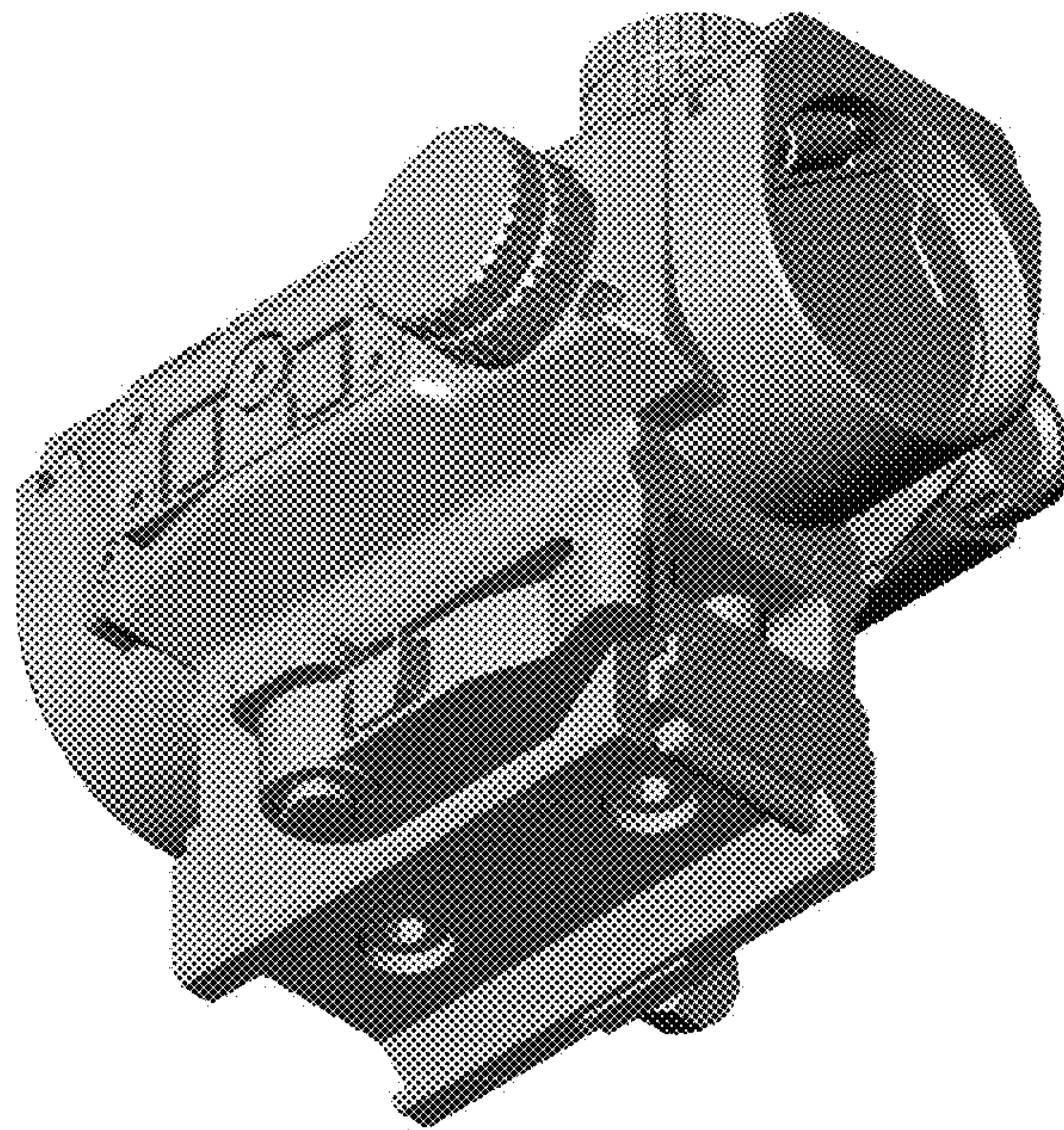


FIG. 10