



US00D846690S

(12) **United States Design Patent**
Cheng et al.

(10) **Patent No.:** **US D846,690 S**

(45) **Date of Patent:** **** Apr. 23, 2019**

(54) **REFLEX SIGHT**

7/00; F41G 11/003; F41G 11/001; F41G 11/004; F41G 11/005; A63H 5/04

See application file for complete search history.

(71) Applicants: **Carson Cheng**, City of Industry, CA (US); **Changan Tian**, City of Industry, CA (US); **Richard Thomas**, City of Industry, CA (US)

(56) **References Cited**

U.S. PATENT DOCUMENTS

5,369,888 A * 12/1994 Kay F41G 1/30 356/252
D612,006 S * 3/2010 Kohler D22/109
8,082,688 B2 * 12/2011 Elpedes F41G 1/14 42/131

(Continued)

OTHER PUBLICATIONS

“Tormach—NcSTAR VISM FlipDot—RMR Glock Milling” [online]. NCEngravers. [Published on Mar. 16, 2018]. Retrieved from the Internet: <<https://www.youtube.com/watch?v=Ue6skqvU9cI>>.*

(Continued)

Primary Examiner — Khawaja Anwar
Assistant Examiner — Mojtaba Tehrani

(57) **CLAIM**

The ornamental design for a reflex sight, as shown and described.

DESCRIPTION

FIG. 1 is a front view of the reflex sight of our new design; FIG. 2 is a rear view thereof; FIG. 3 is a left view thereof; FIG. 4 is a right view thereof; FIG. 5 is a top view thereof; FIG. 6 is a bottom view thereof; FIG. 7 is a top front perspective view thereof; FIG. 8 is a top rear perspective view thereof; FIG. 9 is a bottom front perspective view thereof; FIG. 10 is a bottom rear perspective view thereof. FIG. 11 is a top front perspective view, showing the lens of the reflex sight being folded thereof; FIG. 12 is a top rear perspective view, showing the lens of the reflex sight being folded thereof;

(Continued)

(72) Inventors: **Carson Cheng**, City of Industry, CA (US); **Changan Tian**, City of Industry, CA (US); **Richard Thomas**, City of Industry, CA (US)

(73) Assignee: **NcSTAR, Inc.**, City of Industry, CA (US)

(**) Term: **15 Years**

(21) Appl. No.: **29/627,698**

(22) Filed: **Nov. 29, 2017**

(51) **LOC (11) Cl.** **22-01**

(52) **U.S. Cl.**
USPC **D22/109**

(58) **Field of Classification Search**
USPC D21/301, 304, 567, 570, 571, 573, 574, D21/575, 746; D22/100, 101, 102, 103, D22/106, 107, 108, 109, 110, 111, 112, D22/115, 116, 199
CPC F41A 3/26; F41A 3/12; F41A 5/02; F41A 17/22; F41B 5/143; F41B 5/14; F41B 5/066; F41B 7/08; F41B 5/1446; F41B 5/148; F41B 5/1465; F42B 6/04; F42B 6/08; F42B 6/02; F42B 6/06; F42B 12/362; F41C 23/16; F41C 27/00; F41C

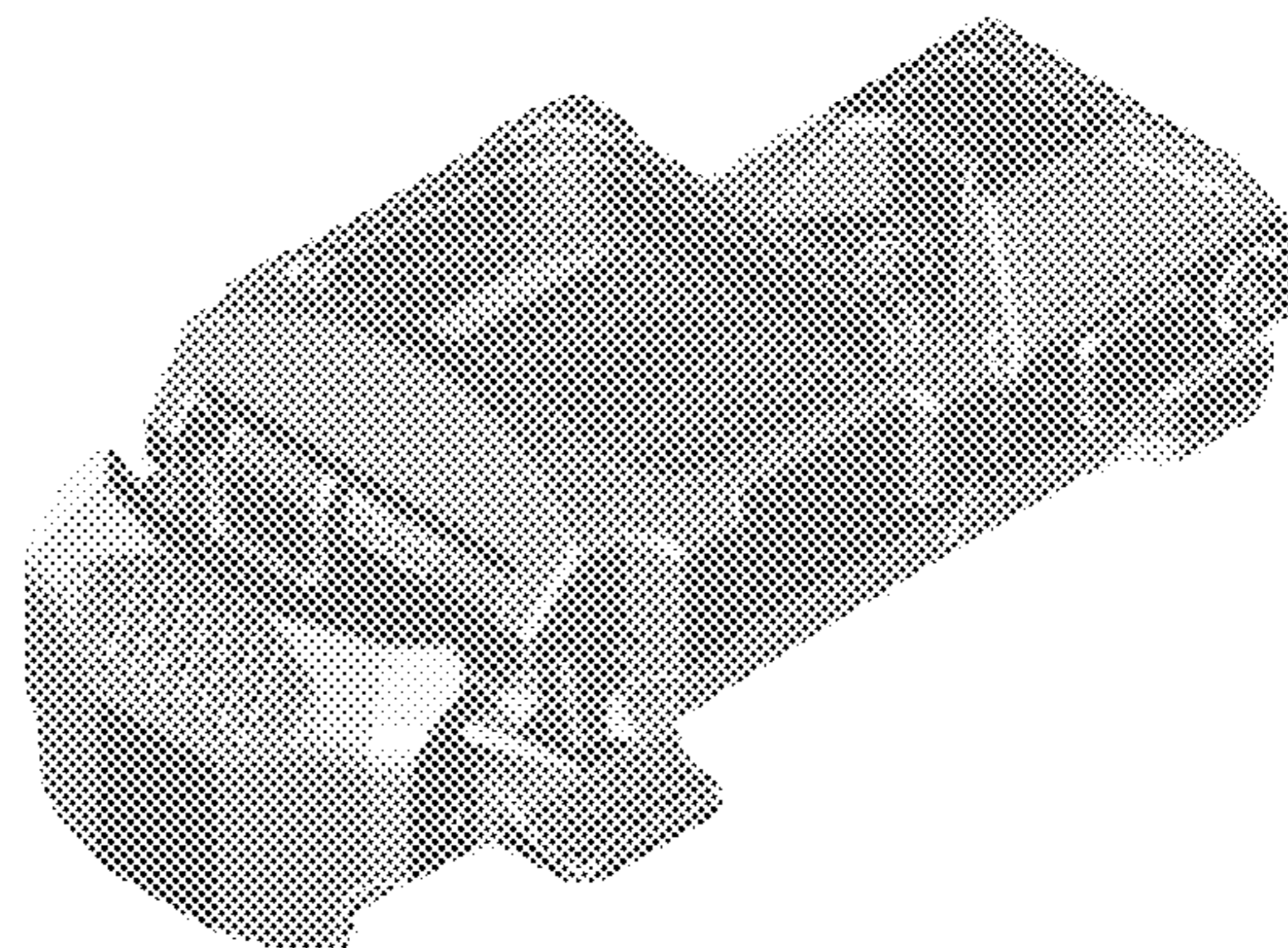
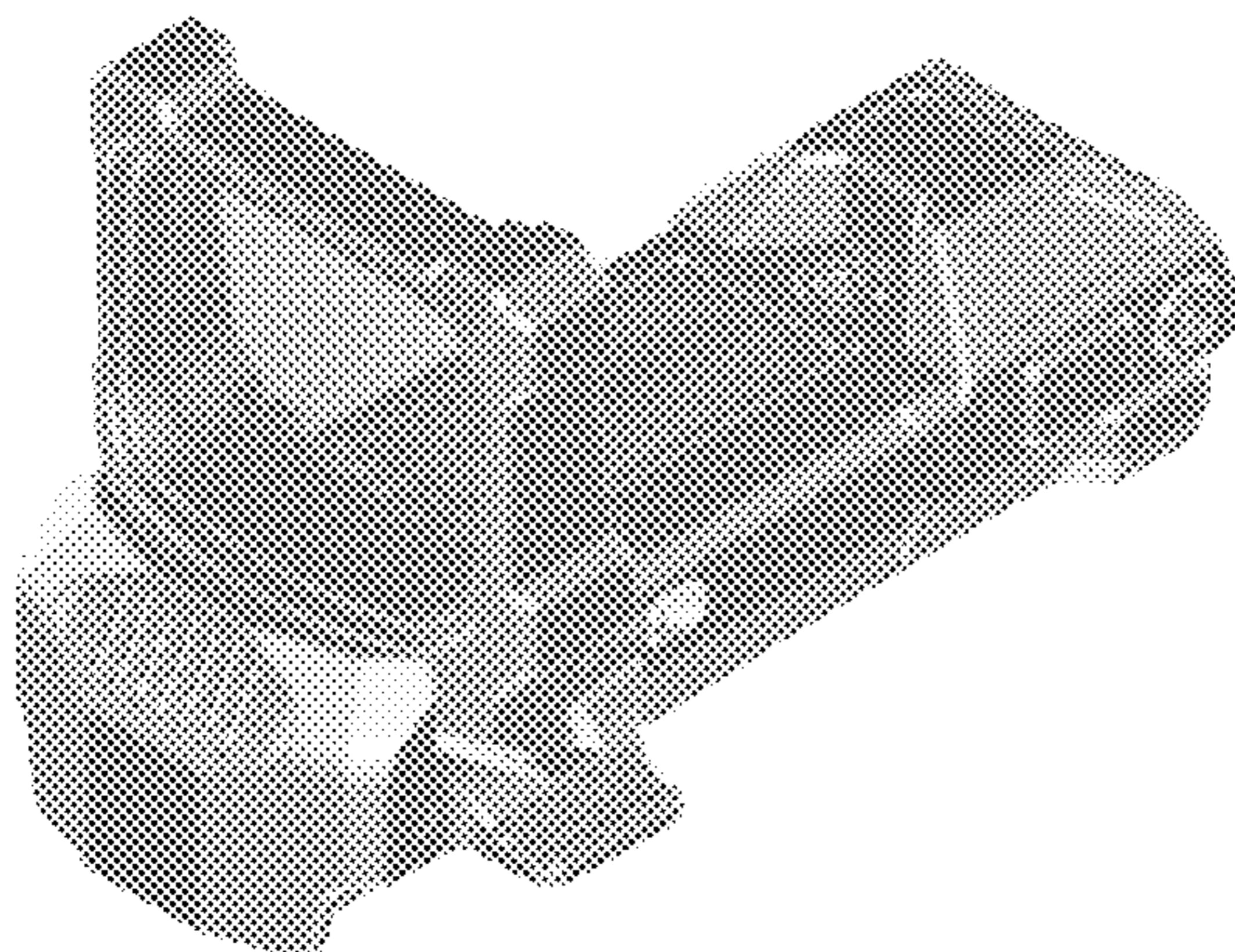


FIG. 13 is a bottom front perspective view, showing the lens of the reflex sight being folded thereof; and, FIG. 14 is a bottom rear perspective view, showing the of the reflex sight being folded thereof.

1 Claim, 11 Drawing Sheets

(56)

References Cited

U.S. PATENT DOCUMENTS

8,109,031 B2 * 2/2012 Tang G02B 27/0101
42/113
8,151,509 B2 * 4/2012 Rozitis F41G 11/003
42/125
D676,096 S * 2/2013 Gambino D22/109
D730,477 S * 5/2015 Huynh D22/109
9,417,034 B1 * 8/2016 Swan F41G 11/008
9,423,212 B2 * 8/2016 Campean F41G 1/18
RE46,226 E * 12/2016 Gambino D22/109
9,752,853 B2 * 9/2017 Teetzel F41G 1/35
D803,347 S * 11/2017 Cheng D22/109
9,869,526 B1 * 1/2018 Cheng F41G 1/17

10,066,903 B2 * 9/2018 Crispin F41G 11/001
10,086,527 B2 * 10/2018 Teetzel F41G 1/35
2008/0216379 A1 * 9/2008 Javorsky F41G 1/12
42/115
2008/0266541 A1 * 10/2008 Yung G01S 7/4813
356/4.01
2010/0077646 A1 * 4/2010 Gaber F41G 1/30
42/123
2010/0175297 A1 * 7/2010 Speroni F41G 1/35
42/114
2014/0096431 A1 * 4/2014 Tang F41G 1/30
42/132
2014/0150325 A1 * 6/2014 Keng F41G 11/003
42/118
2015/0198415 A1 * 7/2015 Campean F41G 1/18
42/137
2015/0267997 A1 * 9/2015 Collin G03H 1/0005
359/1

OTHER PUBLICATIONS

“NcStar VISM SPD Solar Flipdot” [online]. TheNandor. [Published on Apr. 22, 2018]. Retrieved from the Internet: <<https://www.youtube.com/watch?v=ihtRrFUrFV8>>.*

* cited by examiner

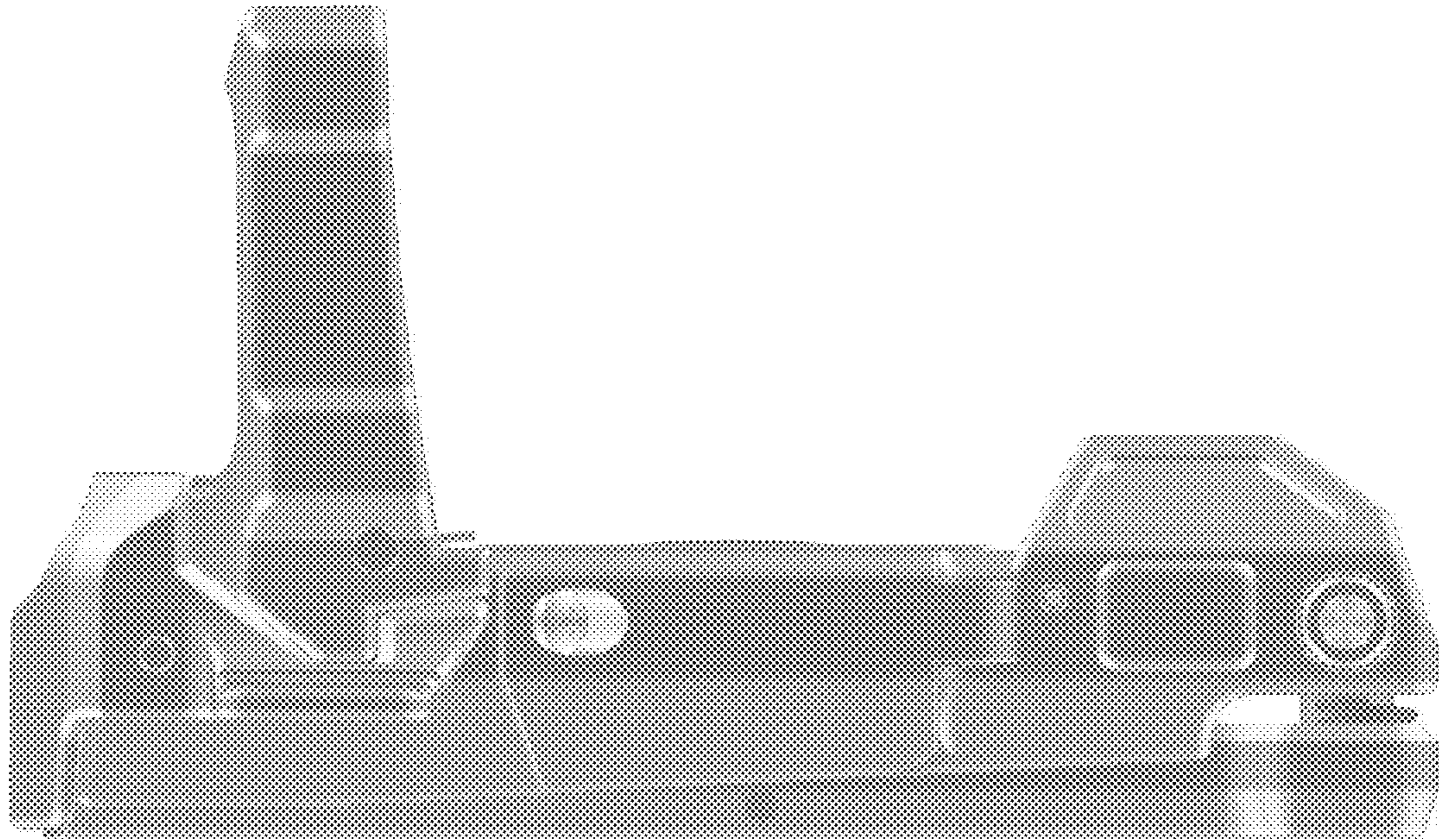


FIG. 1

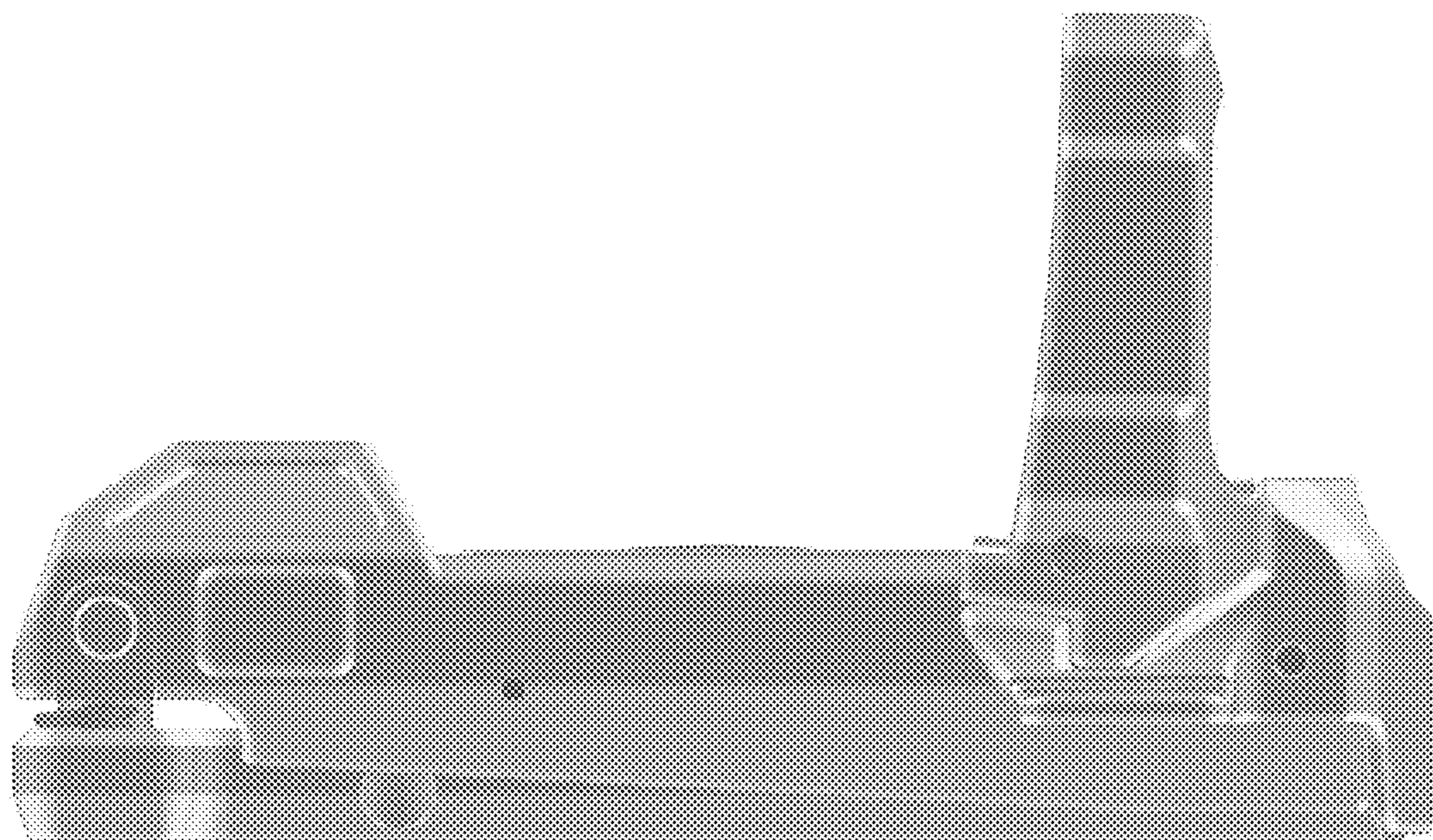


FIG. 2

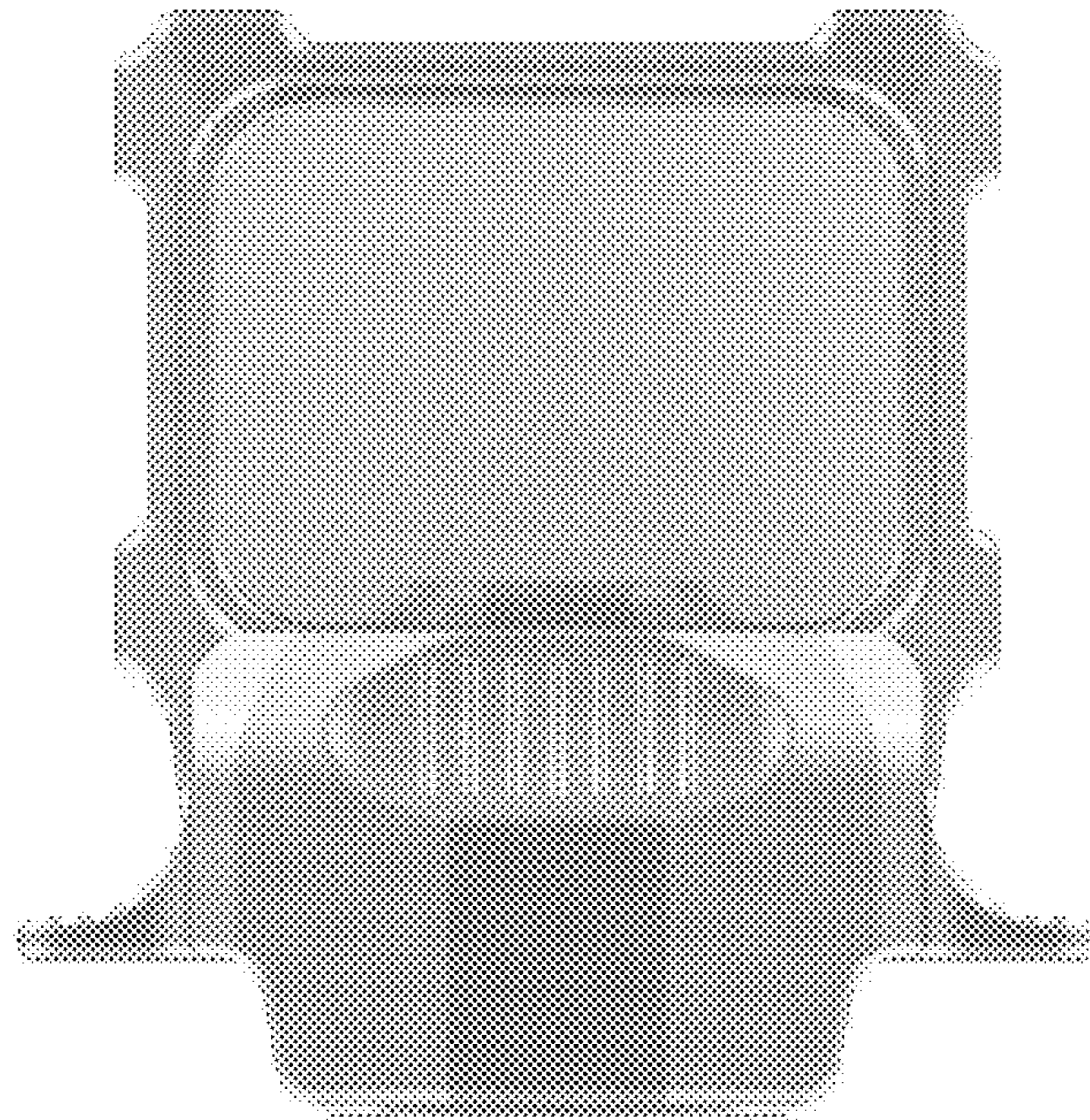


FIG. 3

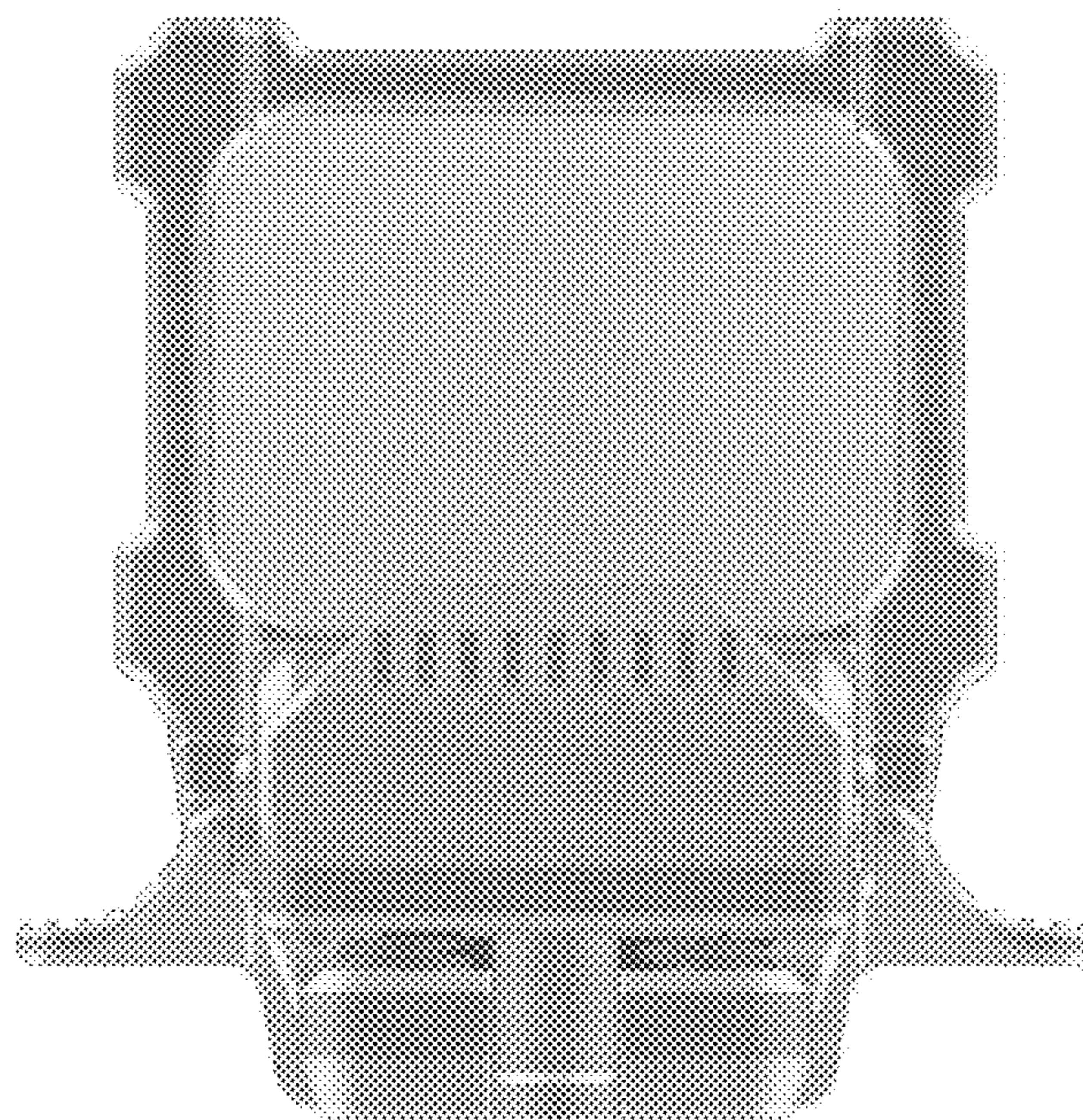


FIG. 4

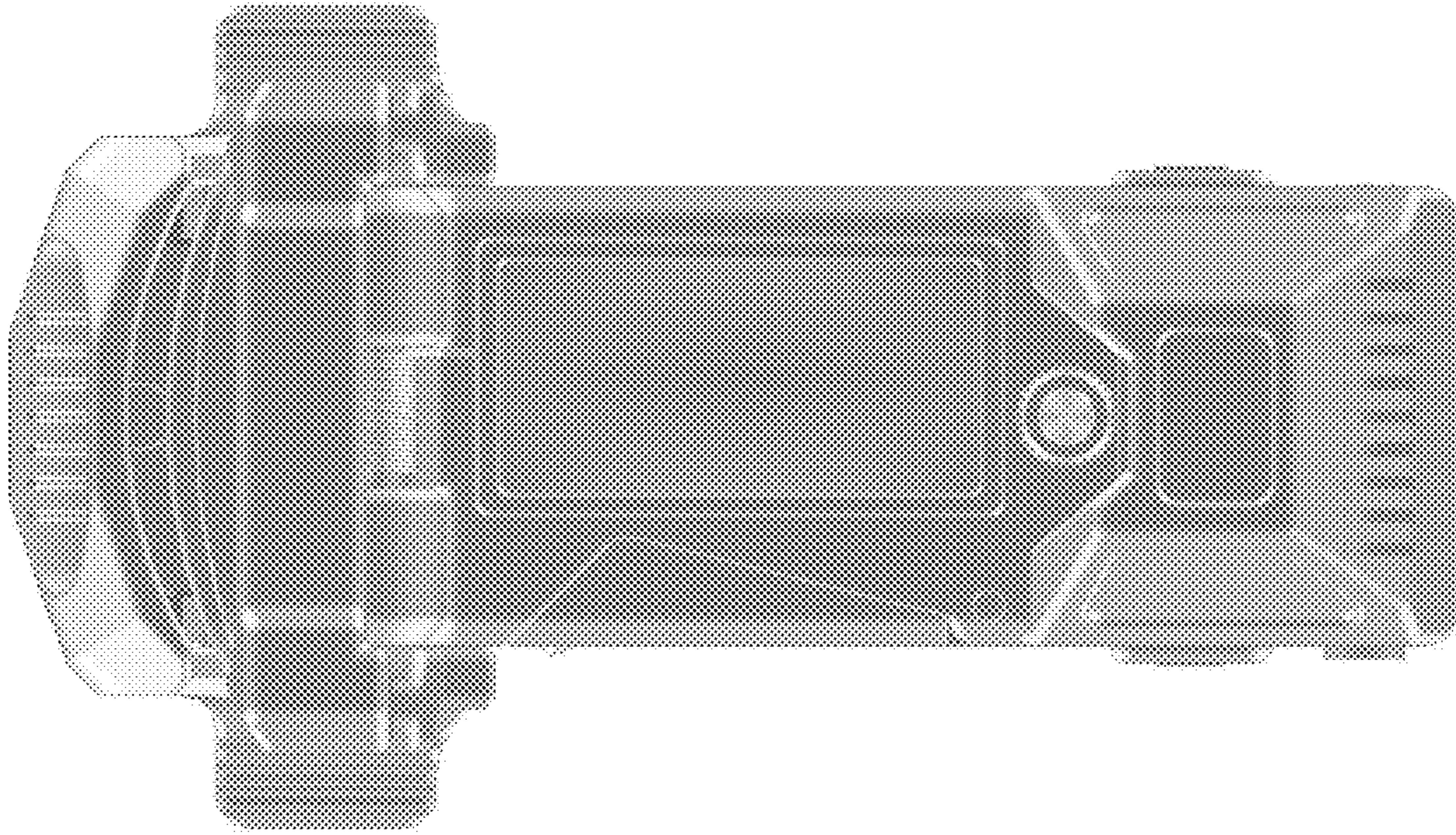


FIG. 5

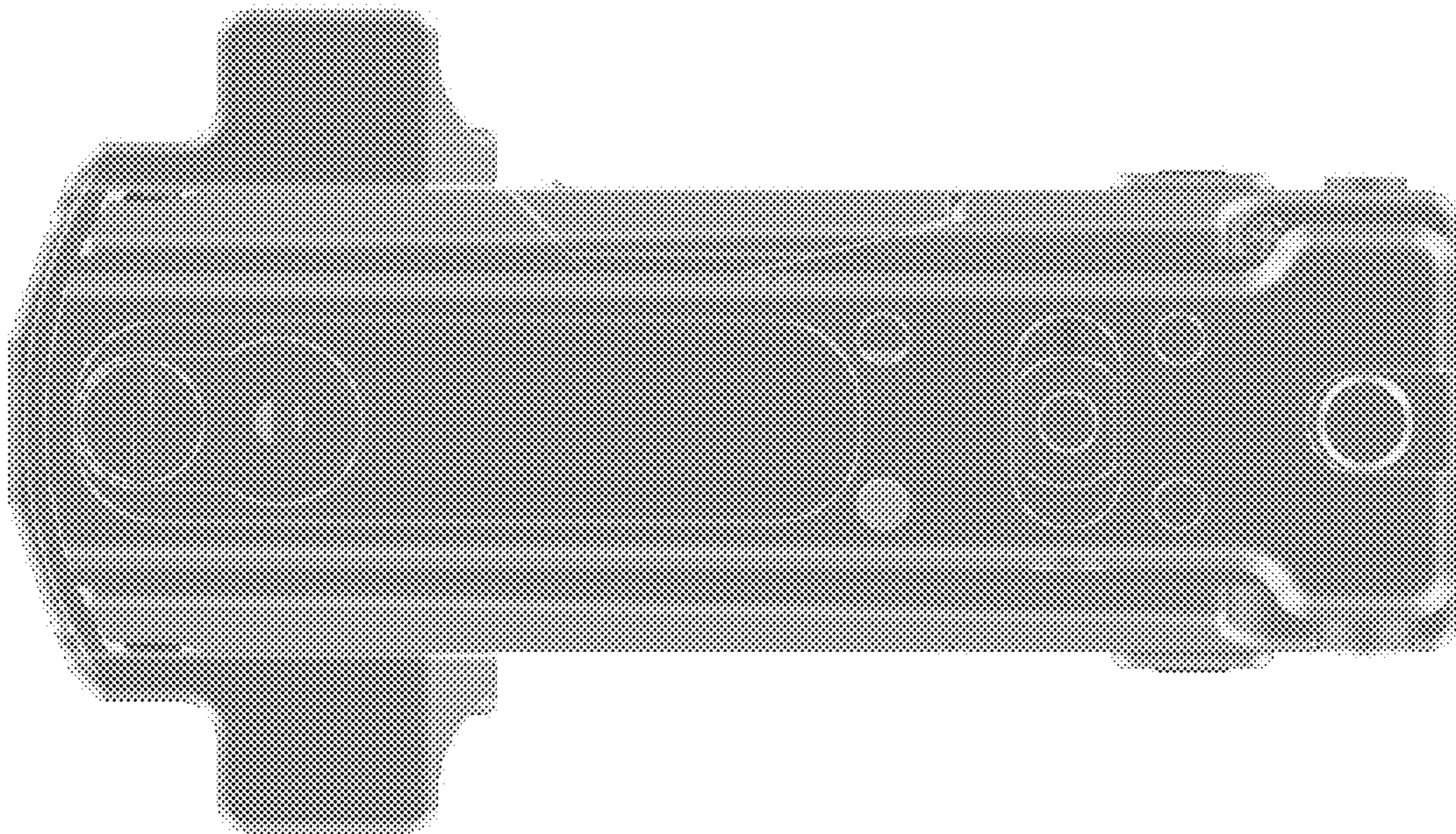


FIG. 6

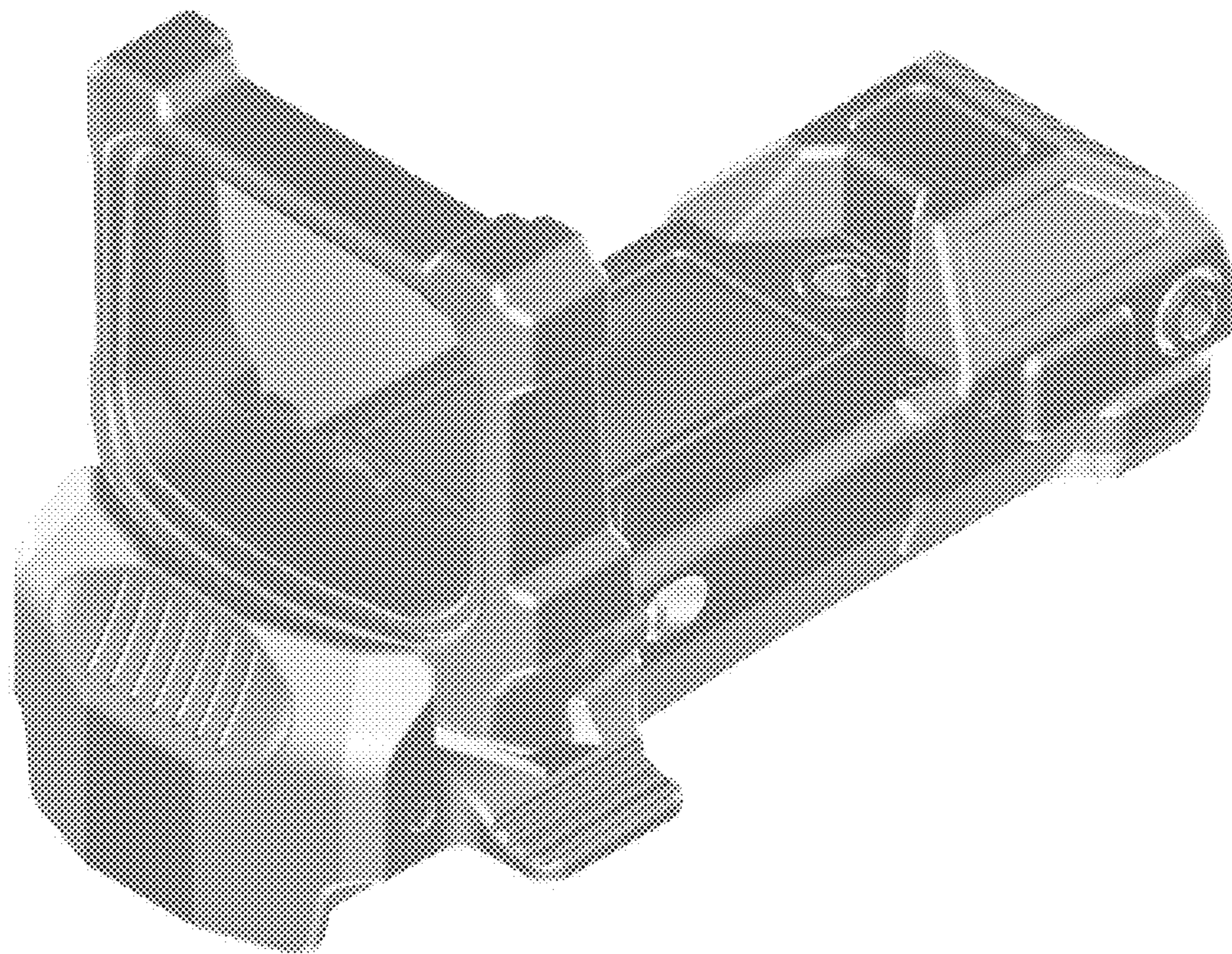


FIG. 7

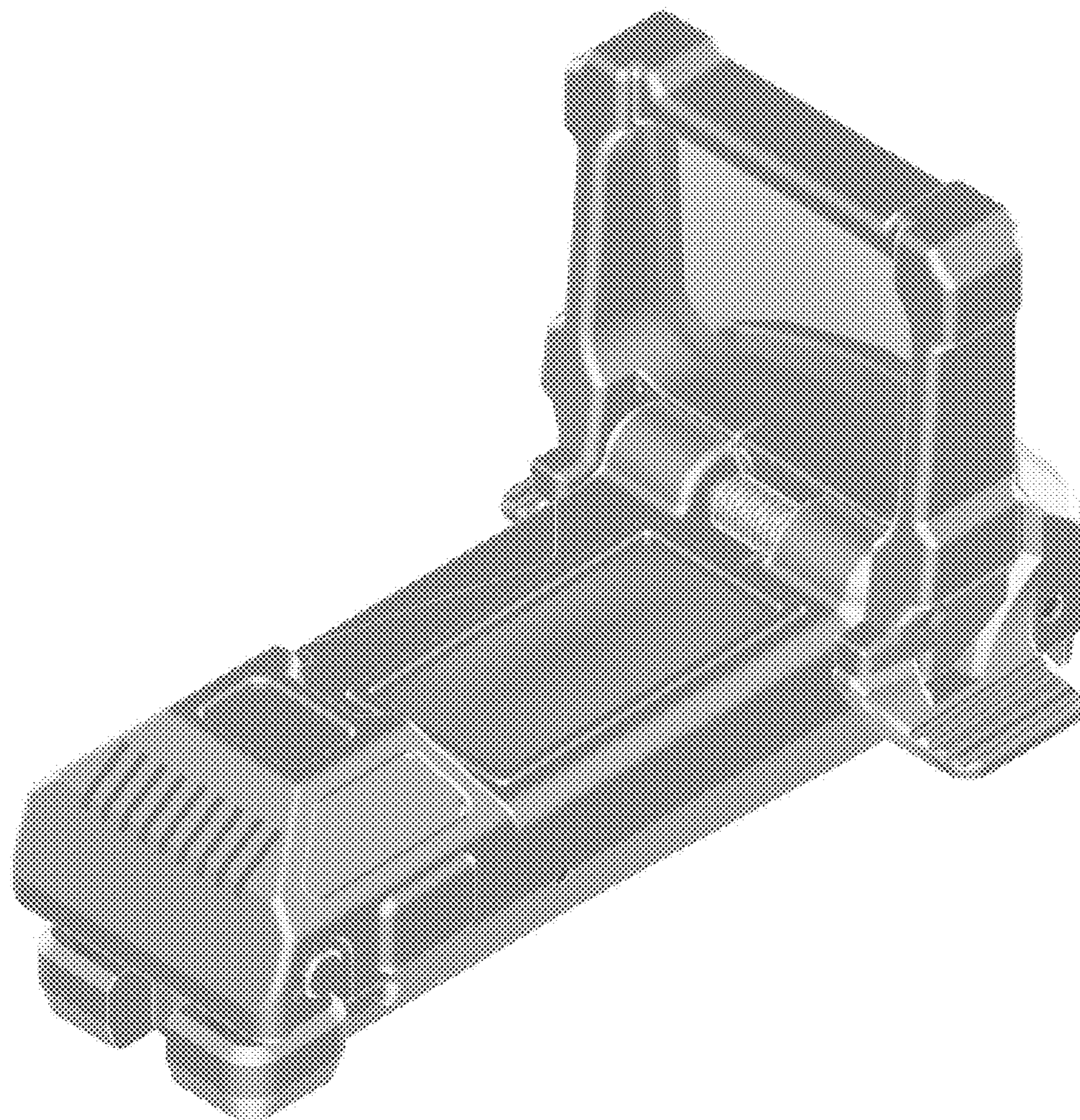


FIG. 8

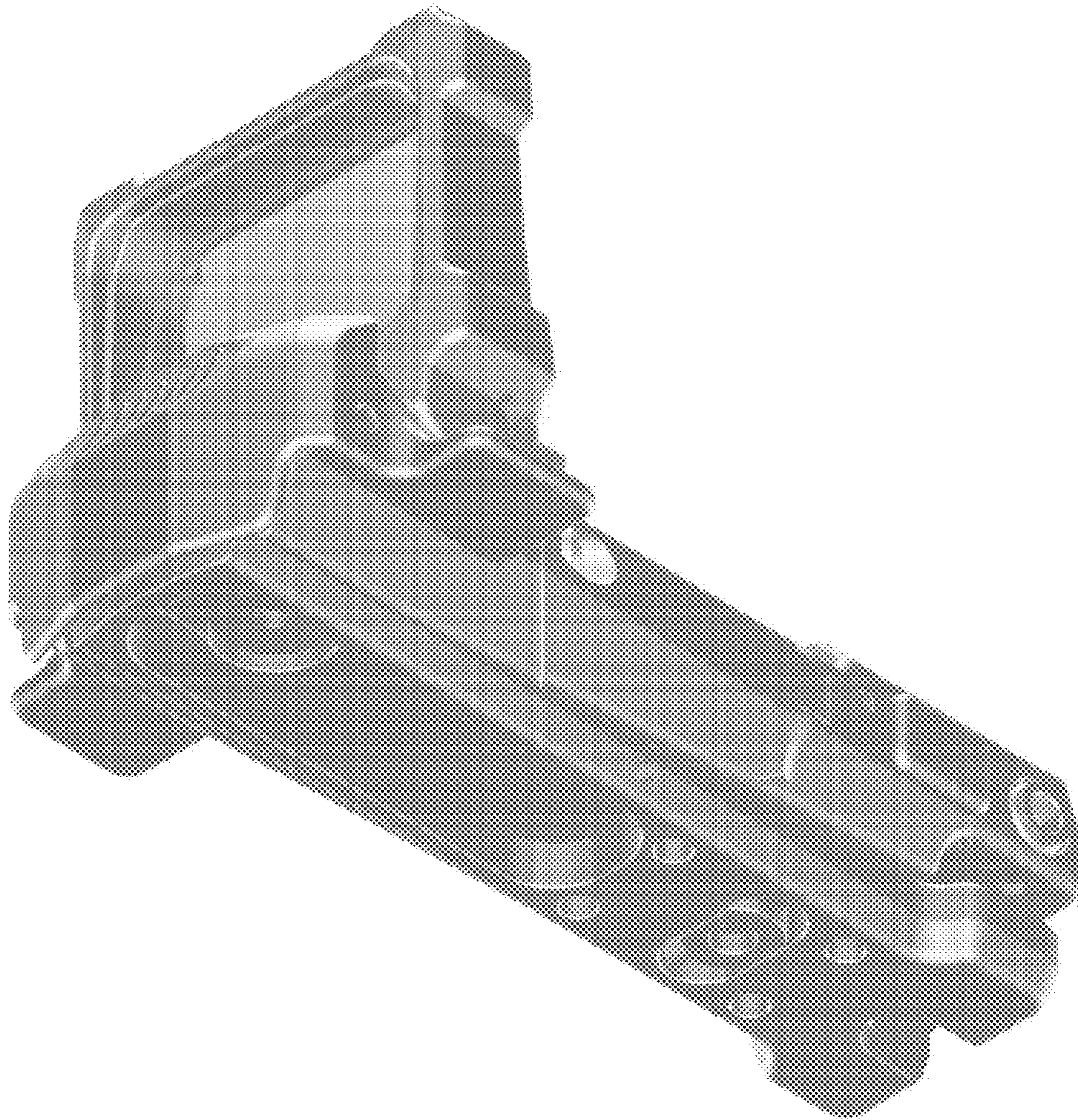


FIG. 9

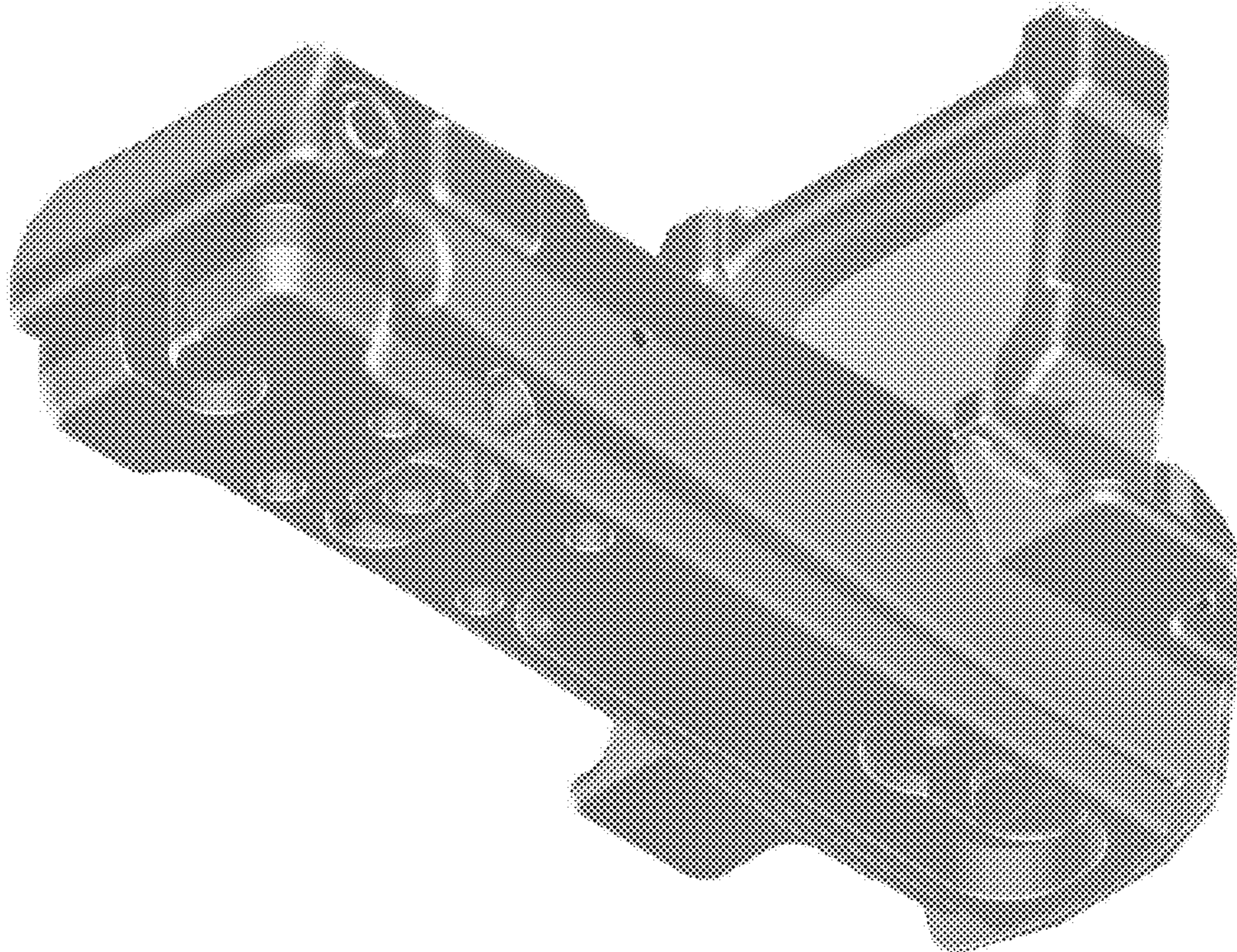


FIG. 10

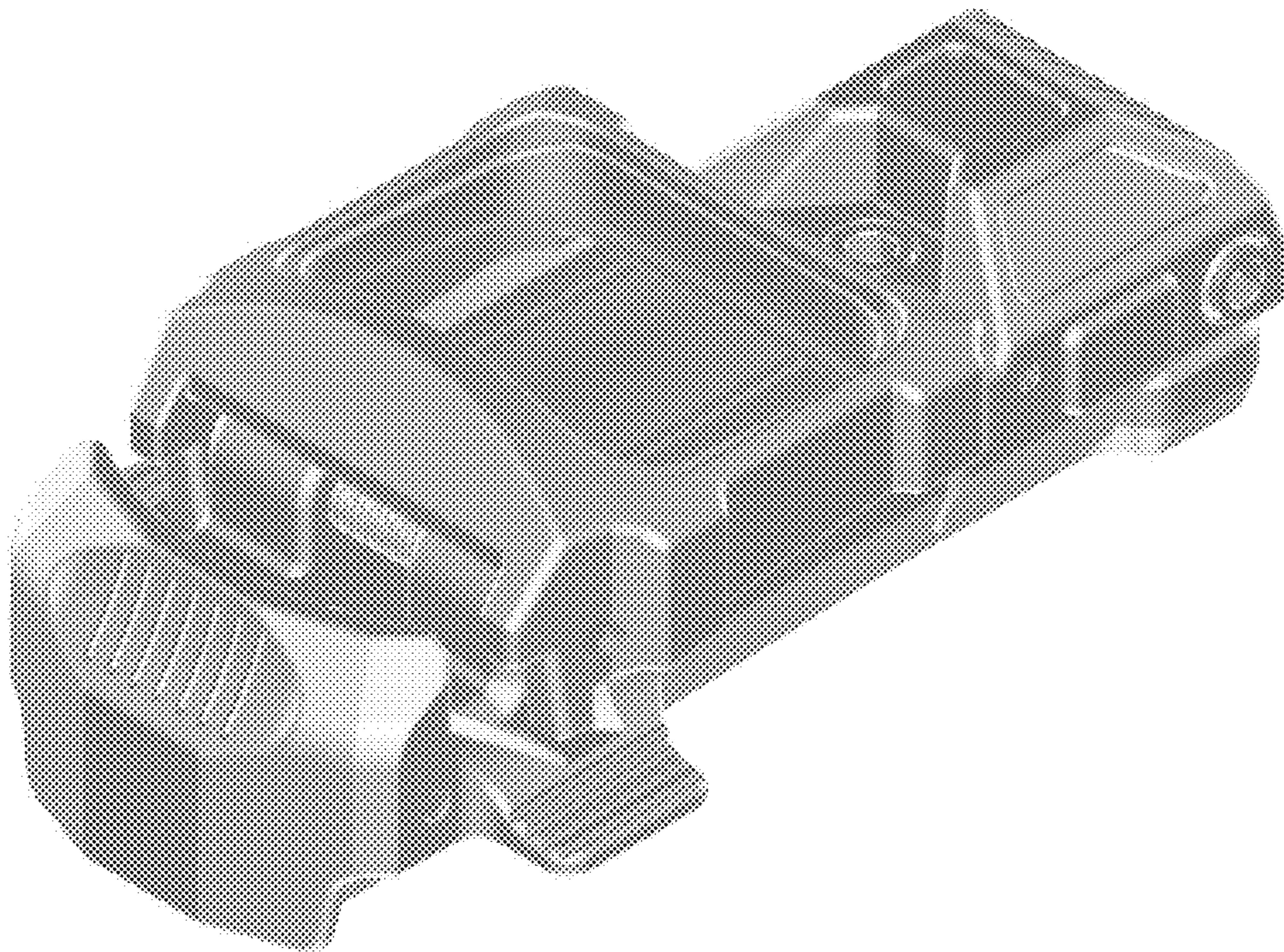


FIG. 11

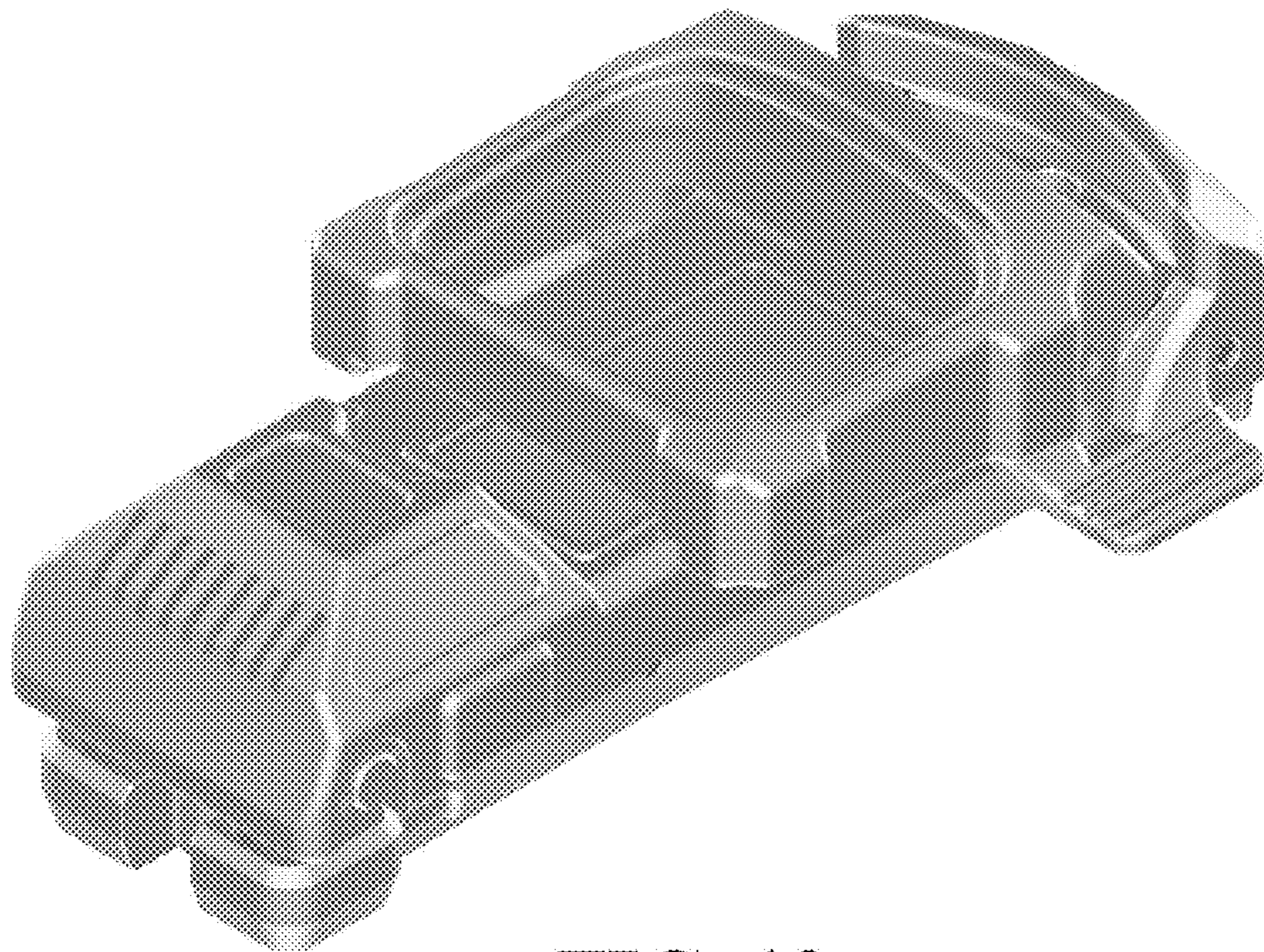


FIG. 12

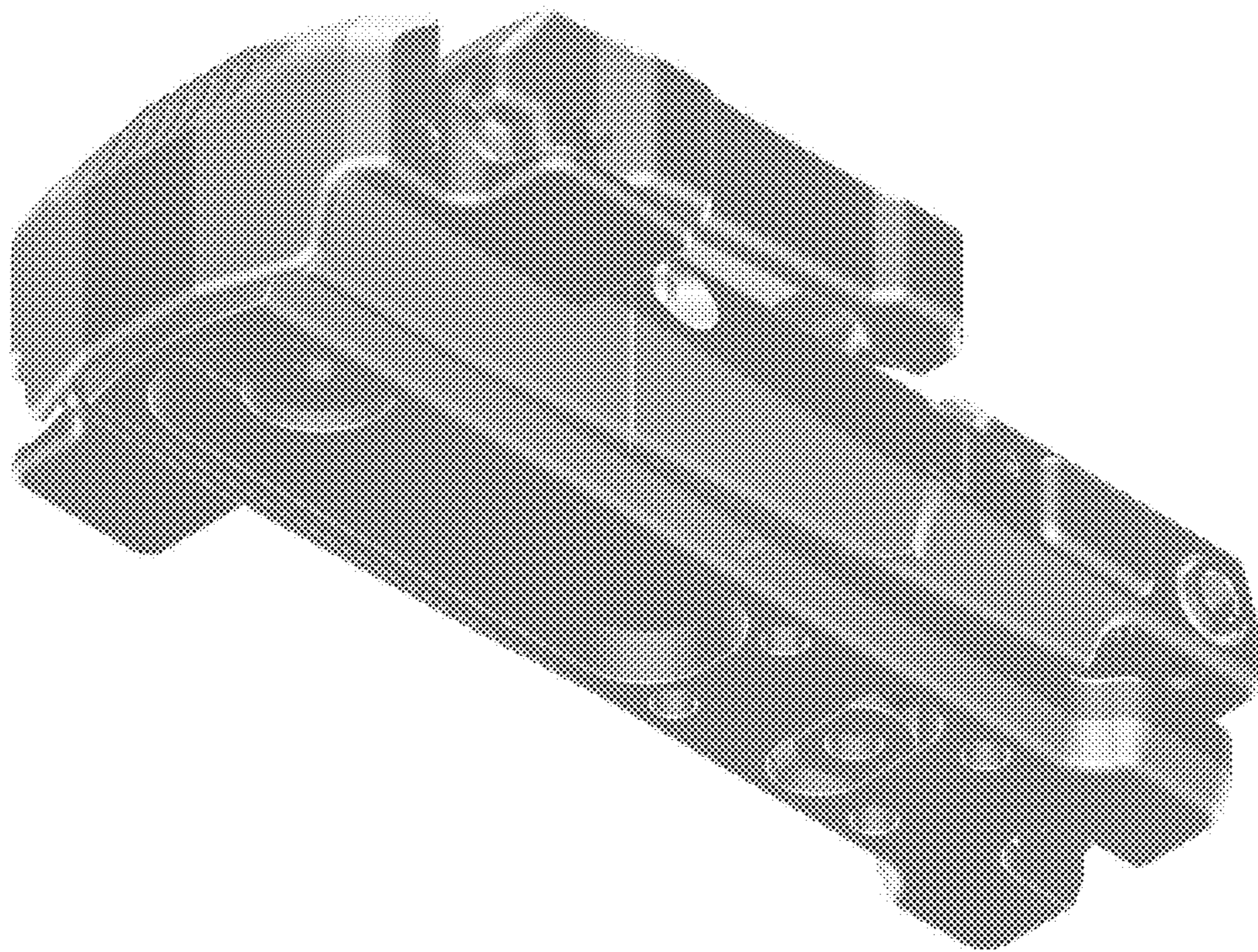


FIG. 13

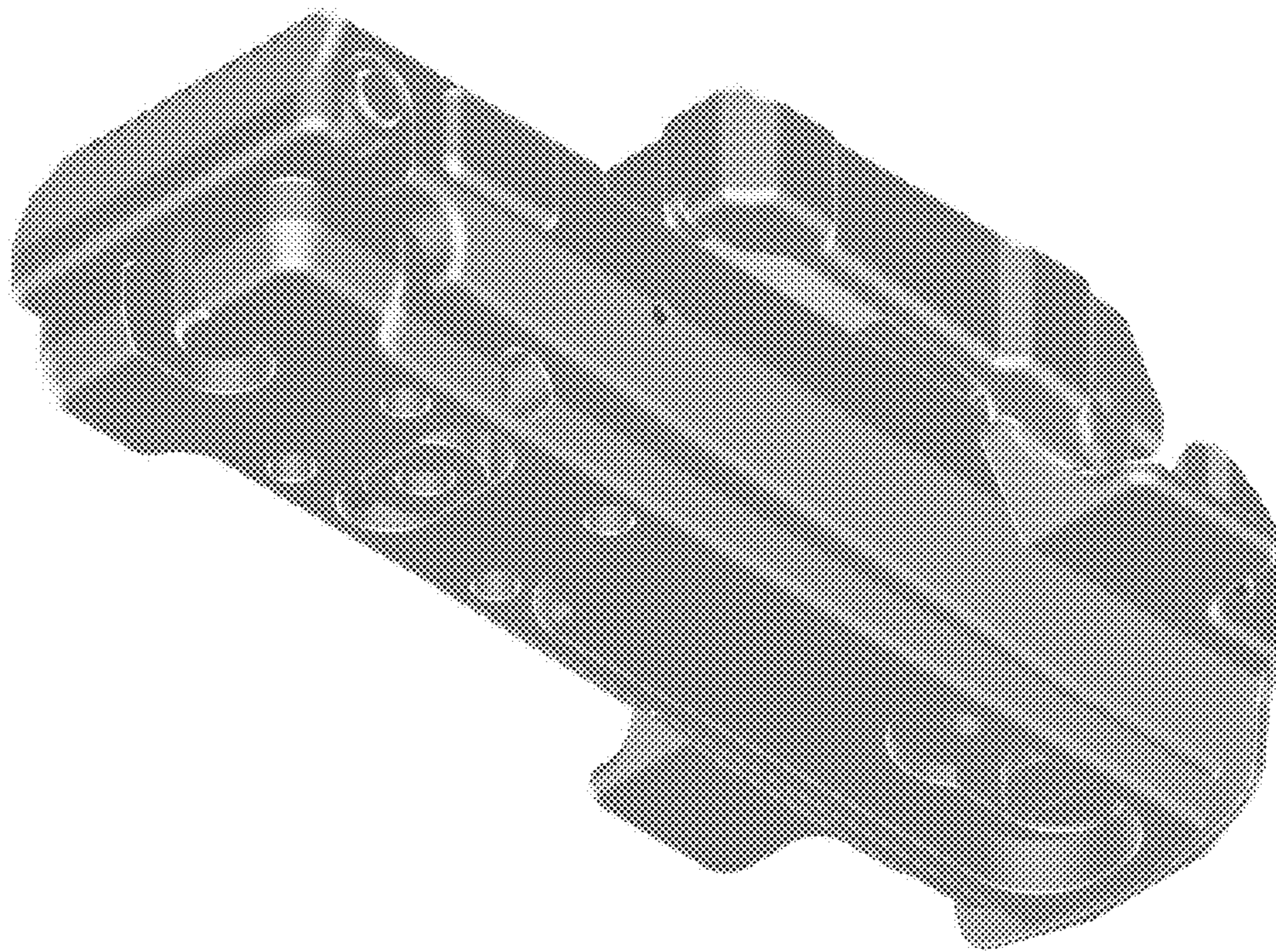


FIG. 14