



US00D846685S

(12) **United States Design Patent**
Ewer

(10) **Patent No.:** **US D846,685 S**

(45) **Date of Patent:** **** Apr. 23, 2019**

(54) **ADJUSTABLE PISTOL STABILIZER**

(71) Applicant: **Martin Ewer**, Palm Harbor, FL (US)

(72) Inventor: **Martin Ewer**, Palm Harbor, FL (US)

(73) Assignee: **Shockwave Technologies, LLC**,
Dunedin, FL (US)

(**) Term: **15 Years**

(21) Appl. No.: **29/603,781**

(22) Filed: **May 12, 2017**

(51) **LOC (11) Cl.** **22-01**

(52) **U.S. Cl.**
USPC **D22/108**

(58) **Field of Classification Search**
USPC D22/104–105, 107–110, 199;
D21/571–575
CPC F41C 23/04; F41C 23/06; F41C 23/14;
F41C 23/22; F41C 33/007
See application file for complete search history.

(56) **References Cited**

U.S. PATENT DOCUMENTS

D631,122 S *	1/2011	Domagtoy	D22/108
D636,833 S *	4/2011	Mayberry	D22/108
D640,342 S *	6/2011	Fitzpatrick	D22/108
8,978,284 B1 *	3/2015	Zusman	F41C 23/14 42/1.06
D738,981 S *	9/2015	Zusman	D22/108
D745,622 S *	12/2015	Zusman	D22/108
D747,427 S *	1/2016	Zusman	D22/108
D748,216 S *	1/2016	Zusman	D22/108
9,279,640 B1 *	3/2016	Hurley	F41C 23/22
D771,765 S	11/2016	Ewer	
D773,005 S *	11/2016	Ding	D22/108
D774,618 S *	12/2016	Bosco	D22/108
9,551,549 B1 *	1/2017	Chvala	F41C 23/14
D780,279 S *	2/2017	Bosco	D22/108
9,664,479 B1 *	5/2017	Robinson	F41C 23/14
D795,984 S *	8/2017	Frederickson	D22/108

D795,985 S *	8/2017	Frederickson	D22/108
D796,617 S *	9/2017	Chow	D22/108
9,909,835 B1 *	3/2018	Smith	F41C 23/06
D828,476 S *	9/2018	Smith	D22/108
10,156,421 B2 *	12/2018	Smith	F41C 23/04
2012/0174456 A1 *	7/2012	DePierro	F41C 23/20 42/71.01

(Continued)

OTHER PUBLICATIONS

Blade 2.0 All Colors, posted at Shockwave Technologies, review posted Aug. 3, 2018. [Site visited Nov. 6, 2018] URL: <https://shockwavetechnologies.com/sitelatest/product/black-shockwave-blade-2-0-pistol-stabilizer/> (Year: 2018).*

(Continued)

Primary Examiner — Kevin K Rudzinski

Assistant Examiner — Kathleen L Jones

(74) *Attorney, Agent, or Firm* — Larson & Larson, P.A.;
Justin P. Miller; Frank Liebenow

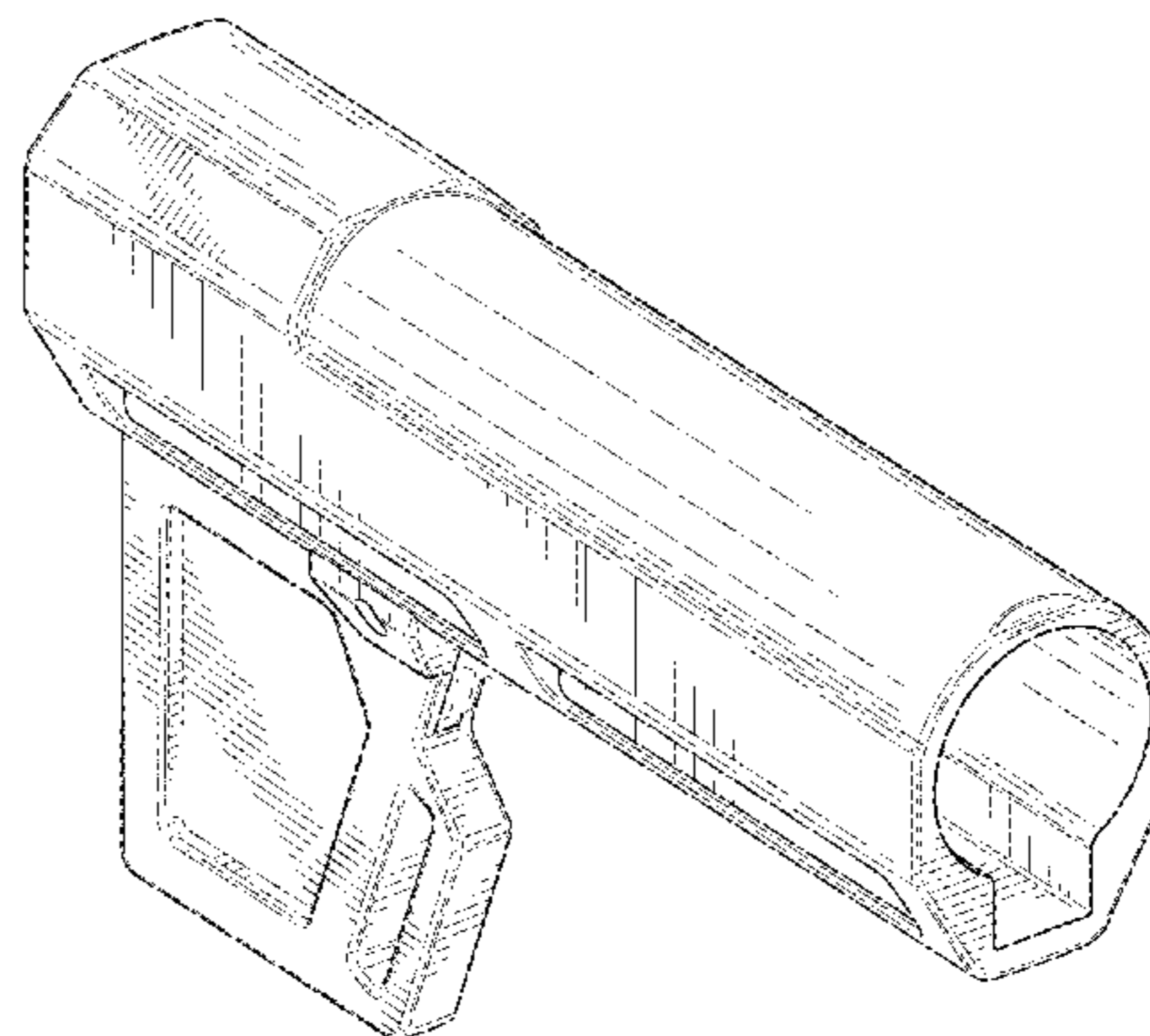
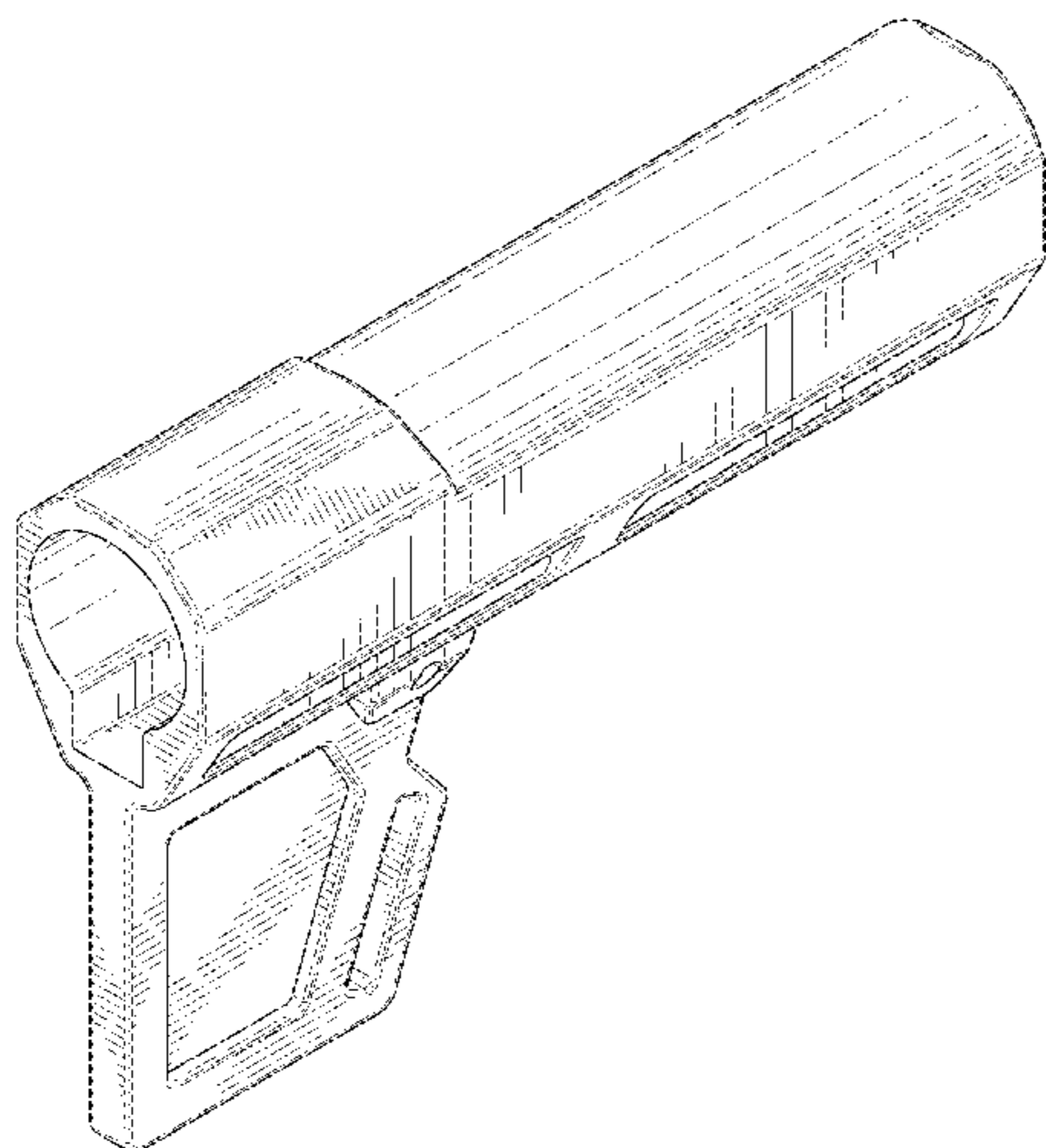
(57) **CLAIM**

I claim the ornamental design for an adjustable pistol stabilizer, as shown and described.

DESCRIPTION

FIG. 1 is a back perspective view of an adjustable pistol stabilizer showing my new design;
FIG. 2 is a front perspective view thereof;
FIG. 3 is a left-side elevation view thereof;
FIG. 4 is a right-side elevation view thereof;
FIG. 5 is a top plan view thereof;
FIG. 6 is a bottom plan view thereof;
FIG. 7 is a front elevation view thereof; and,
FIG. 8 is a back elevation thereof view thereof.
The broken lines depicting a lever and clip are included for the purpose of illustrating environmental structure and form no part of the claimed design.

1 Claim, 8 Drawing Sheets



(56)

References Cited

U.S. PATENT DOCUMENTS

2013/0305579 A1* 11/2013 Ward F41C 23/22
42/71.01
2015/0176944 A1* 6/2015 Kupanoff F41C 23/14
42/73
2018/0073835 A1* 3/2018 Saltzman F41C 23/08

OTHER PUBLICATIONS

704 Tactical, Shockwave Blade (Full Review), posted at YouTube, posting date Oct. 22, 2016. [Site visited Nov. 6, 2018] URL: <<https://www.youtube.com/watch?v=hbY1MkbDsh8>> (Year: 2016).*
Shockwave Technologies—Blade AR Pistol Stabilizer, posted at Soldier Systems, review posted Aug. 15, 2014. [Site visited Nov. 6, 2018] URL: <<http://soldiersystems.net/2014/08/15/shockwave-technologies-blade-ar-pistol-stabilizer/>> (Year: 2014).*

* cited by examiner

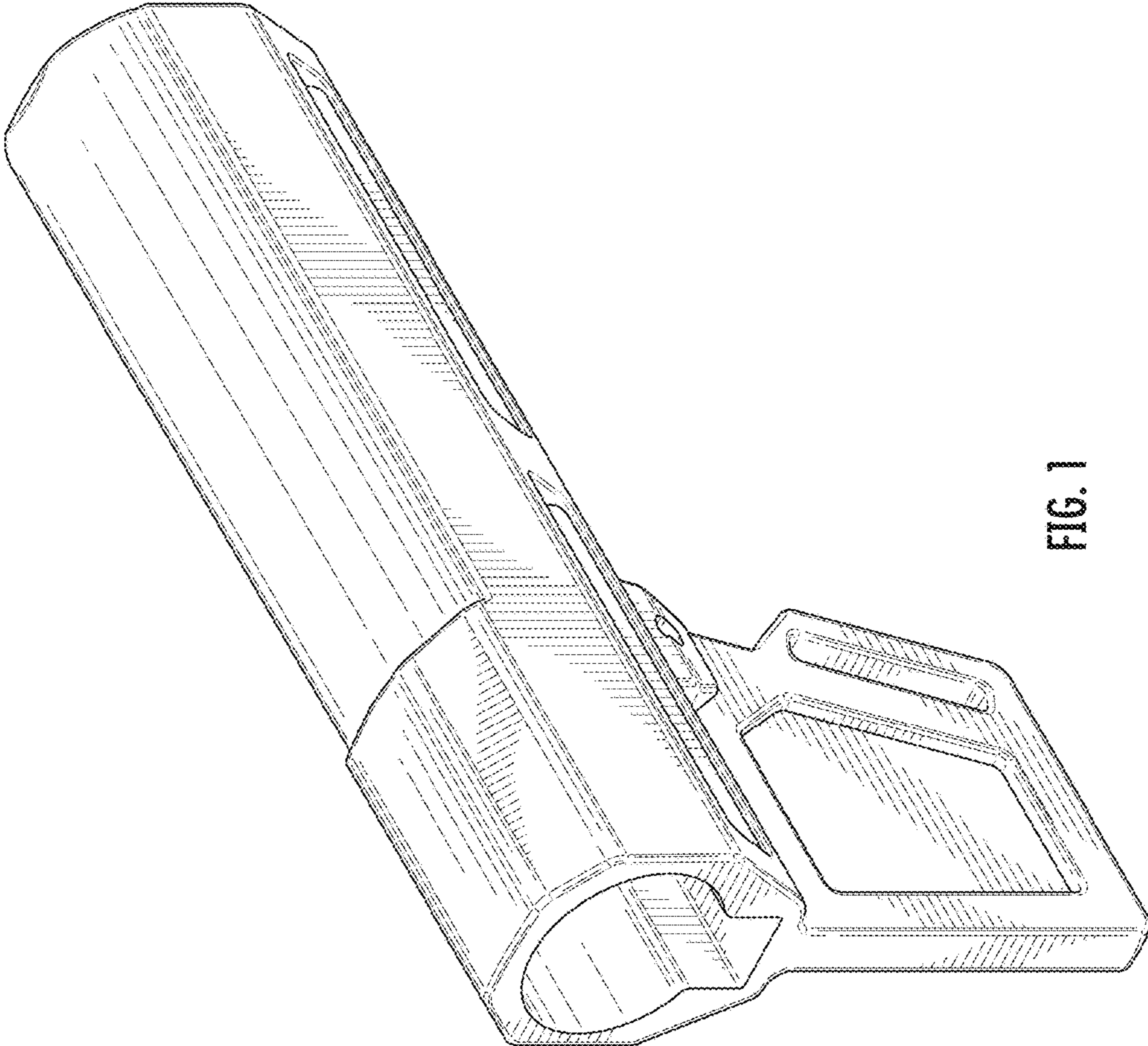


FIG. 1

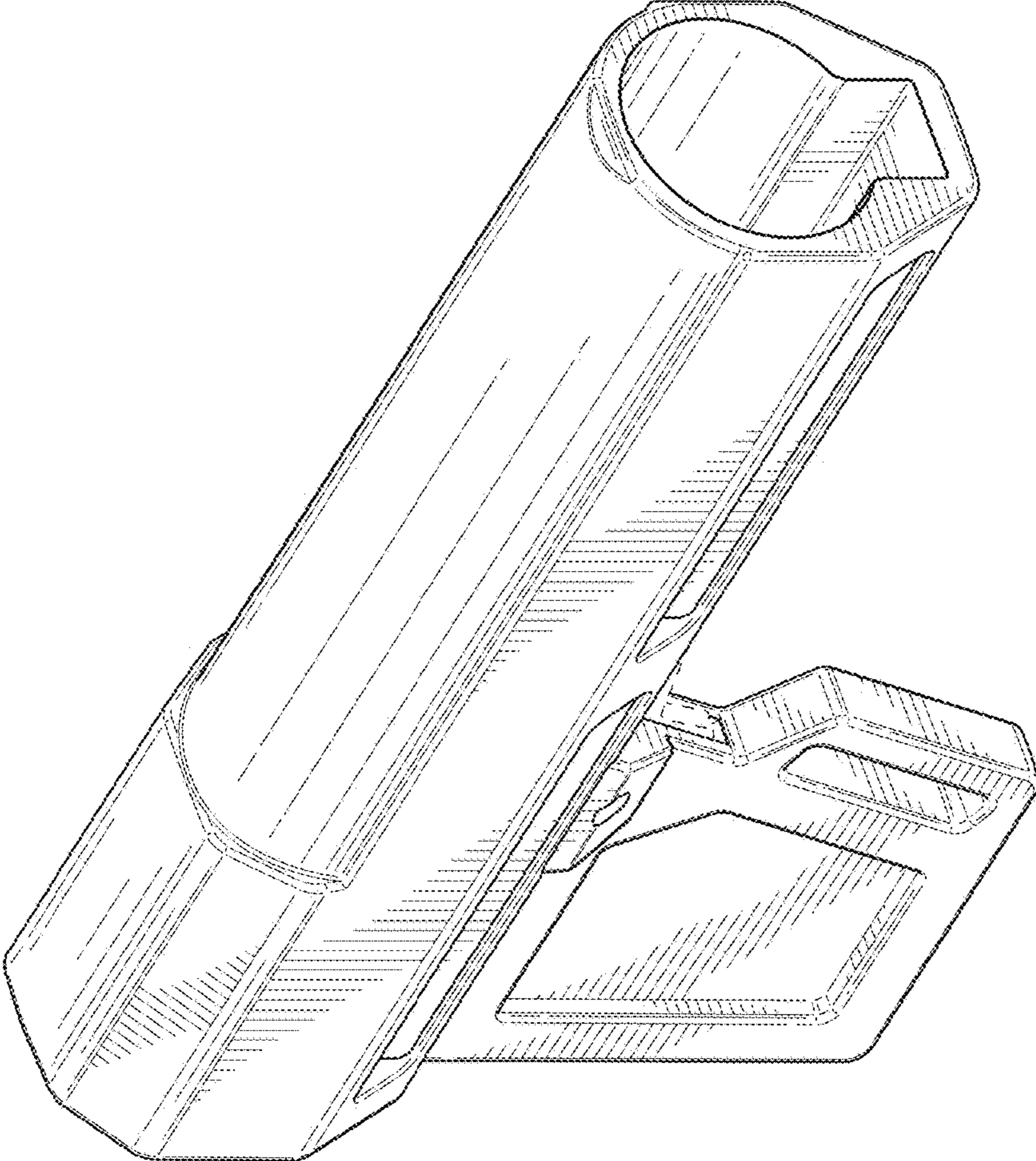


FIG. 2

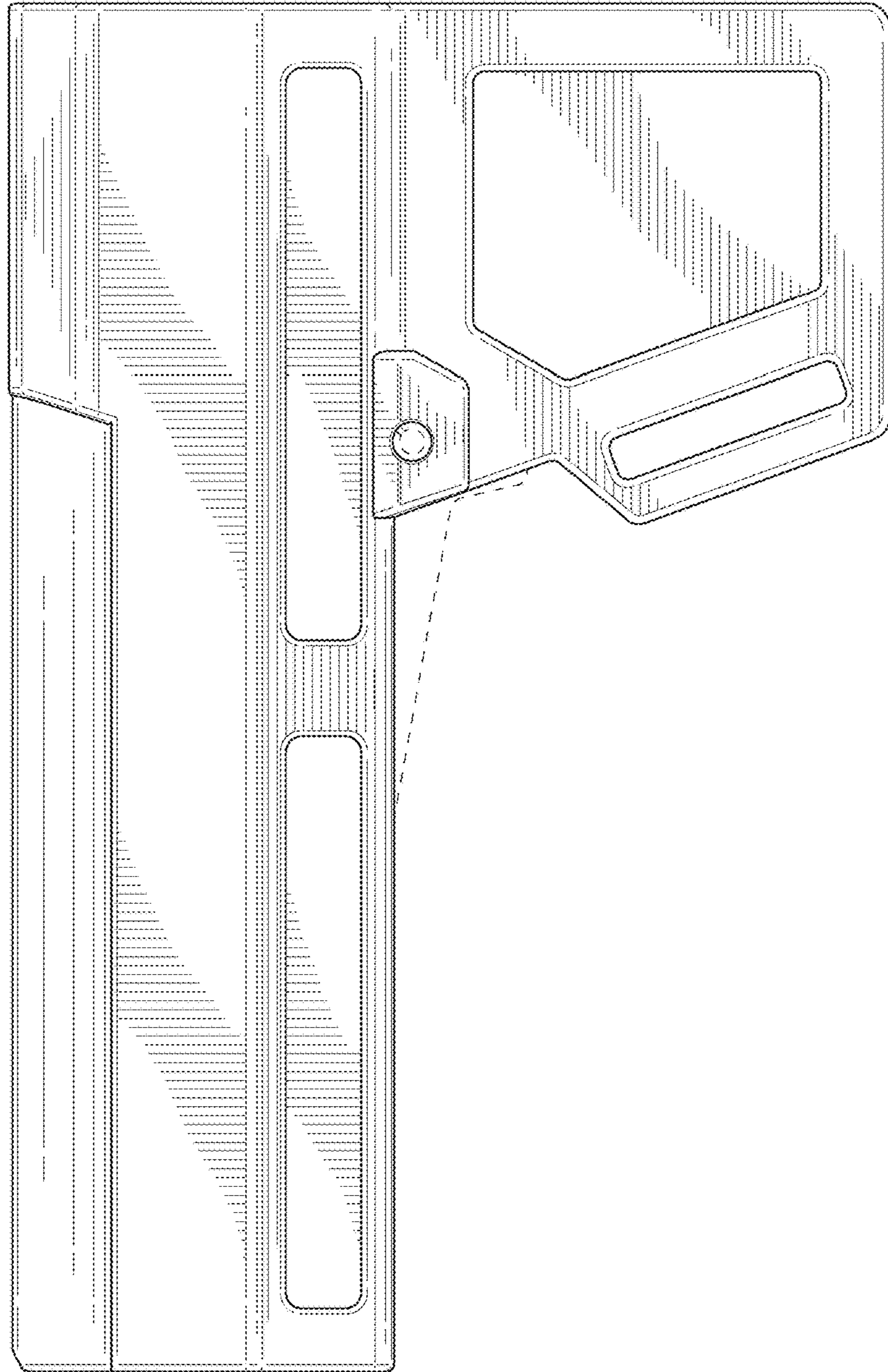


FIG. 3

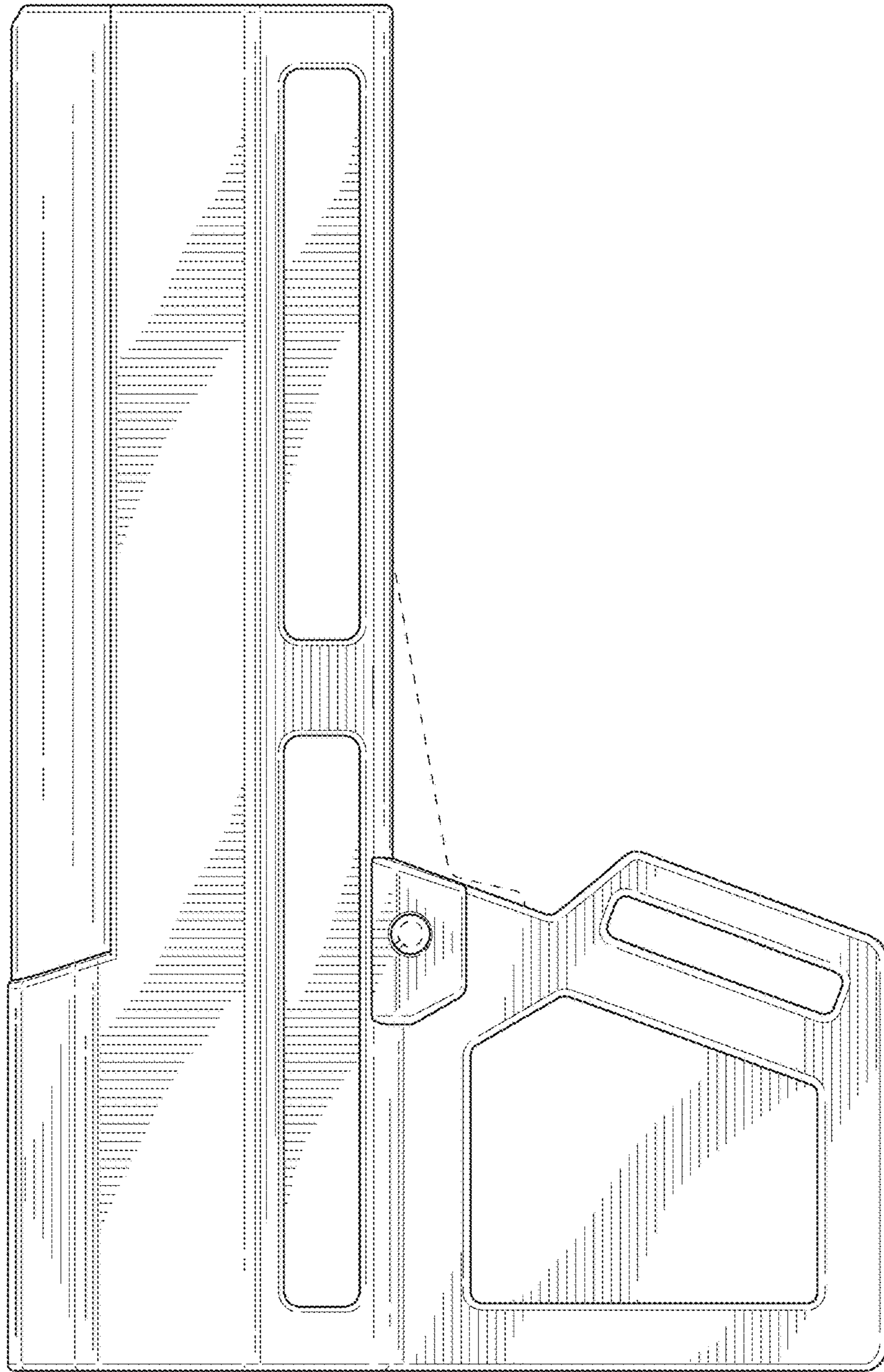


FIG. 4

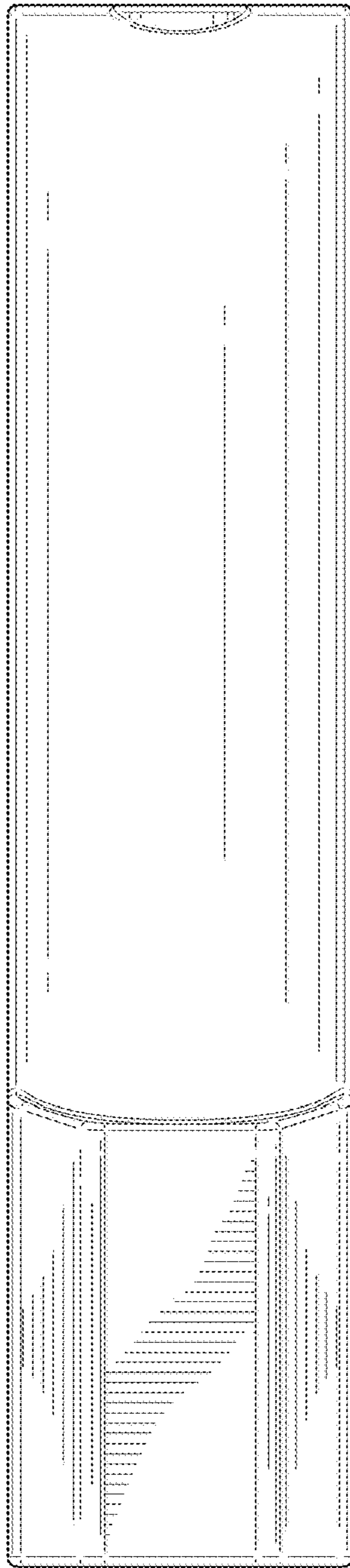


FIG. 5

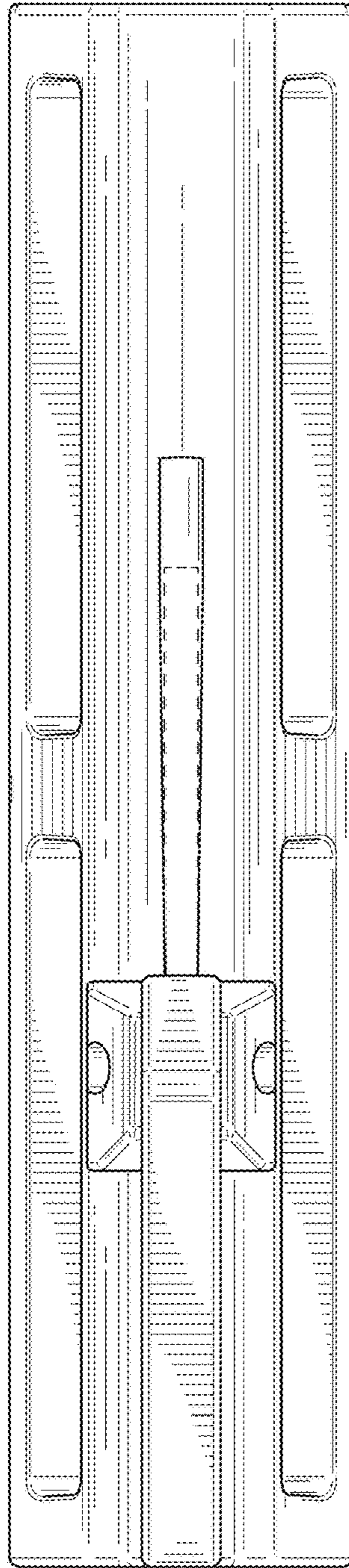


FIG. 6

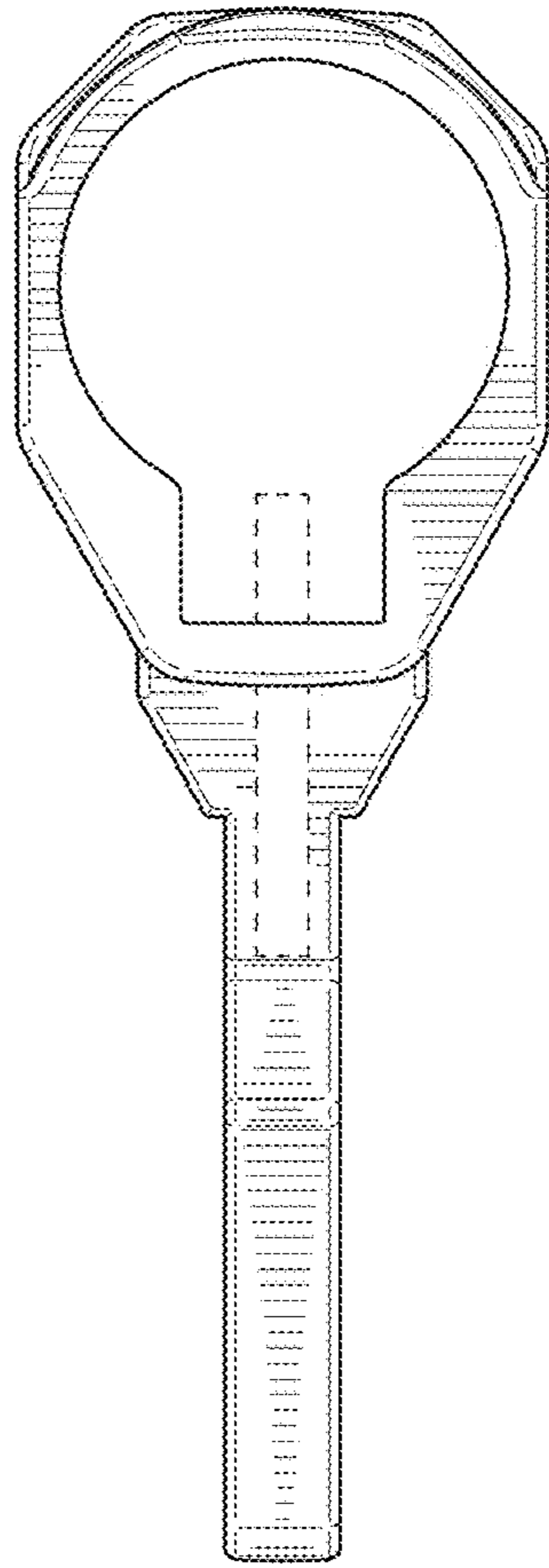


FIG. 7

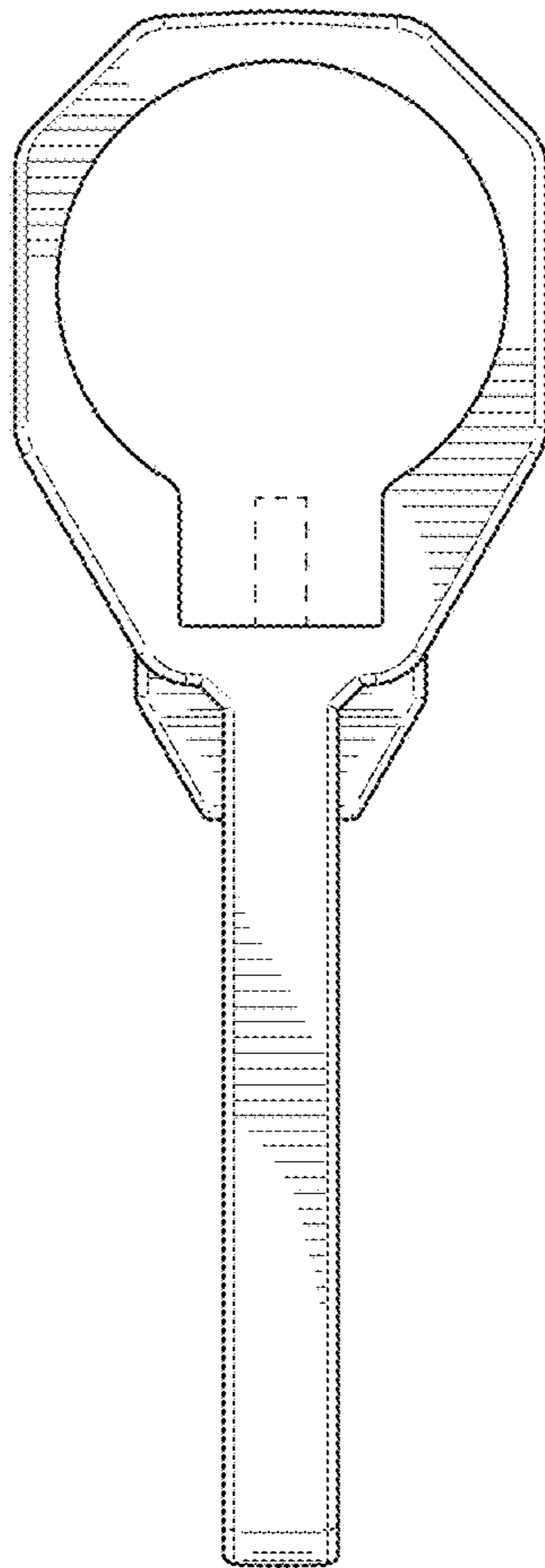


FIG. 8