



US00D846684S

(12) **United States Design Patent**
Montes et al.

(10) **Patent No.:** **US D846,684 S**

(45) **Date of Patent:** **** Apr. 23, 2019**

(54) **FIREARM MUZZLE BRAKE DEVICE**

(71) Applicant: **Phase 5 Weapon Systems Inc.**,
Roseville, CA (US)

(72) Inventors: **Kenneth Montes**, Roseville, CA (US);
Leon A. Wauters, Roseville, CA (US)

(73) Assignee: **Phase 5 Weapon Systems Inc.**,
Roseville, CA (US)

(**) Term: **15 Years**

(21) Appl. No.: **29/561,575**

(22) Filed: **Apr. 18, 2016**

(51) **LOC (11) Cl.** **22-01**

(52) **U.S. Cl.**
USPC **D22/108**

(58) **Field of Classification Search**
USPC D22/103, 108, 199
CPC F41A 21/28; F41A 21/32; F41A 21/34;
F41A 21/36; F41A 21/325
See application file for complete search history.

(56) **References Cited**

U.S. PATENT DOCUMENTS

- D417,252 S * 11/1999 Kay D22/100
- 6,820,530 B2 * 11/2004 Vais F41A 21/36
- 89/14.3
- D692,086 S * 10/2013 Nierenberg D22/108
- D720,031 S * 12/2014 Buffoni D22/108
- D737,922 S * 9/2015 Pace D22/108
- D747,429 S * 1/2016 Larson, Jr. D22/108

- D763,395 S * 8/2016 Joplin D22/108
- D767,074 S * 9/2016 Sui D22/108
- D767,076 S * 9/2016 Bebee D22/108
- D779,019 S * 2/2017 Arnedo Vera D22/108
- D787,622 S * 5/2017 Geissele D22/108
- 2016/0169606 A1 * 6/2016 Joplin F41A 21/36
- 42/1.06
- 2016/0334181 A1 * 11/2016 Bennington F41A 21/32

* cited by examiner

Primary Examiner — Karen S Acker

(74) *Attorney, Agent, or Firm* — Law Office of Andrei D Popovici, PC

(57) **CLAIM**

What is claimed is the ornamental design for a firearm muzzle brake device, as shown and described.

DESCRIPTION

FIG. 1 shows an isometric view of a fireman muzzle brake device.

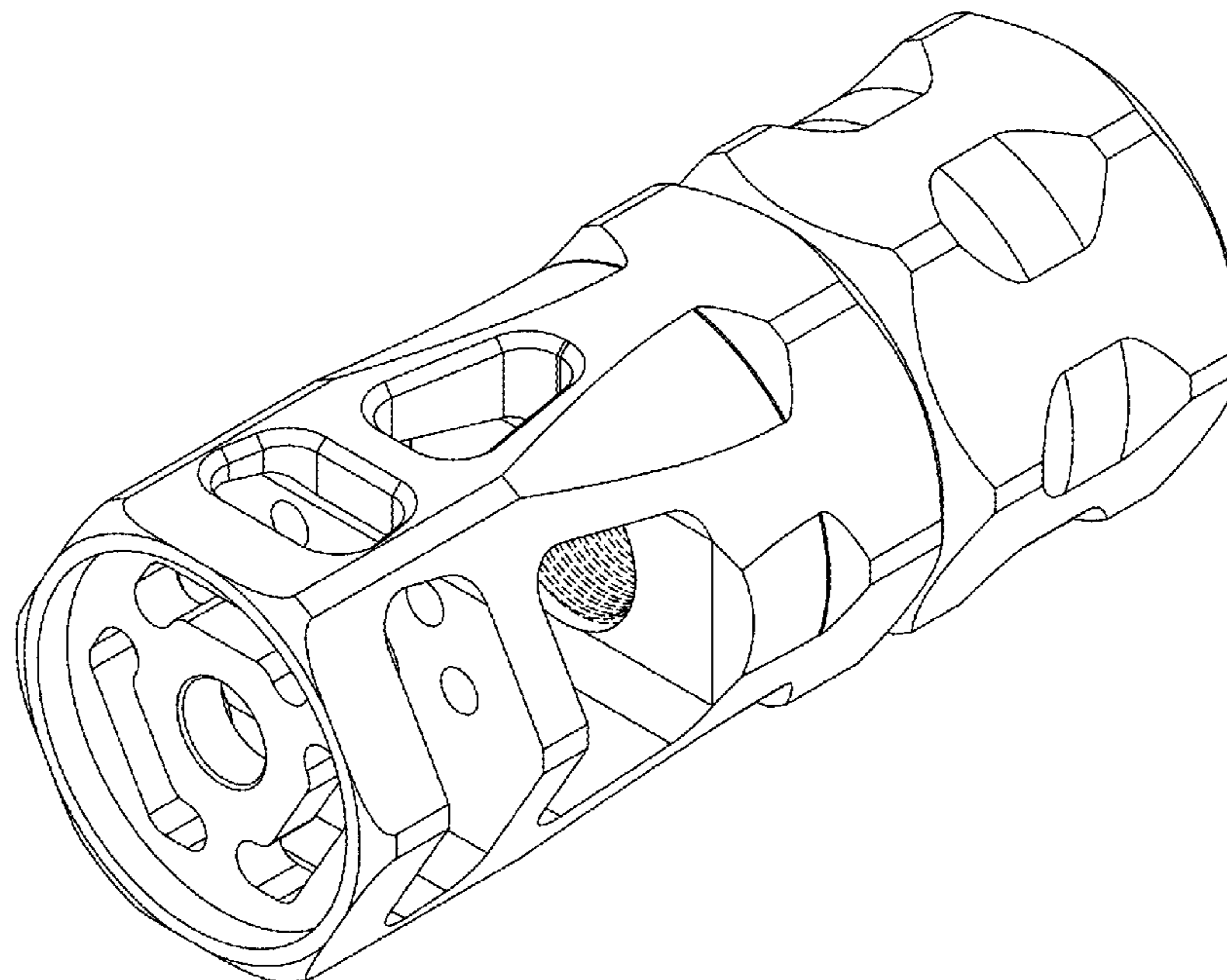
FIG. 2 shows a front elevation view of a firearm muzzle brake device.

FIG. 3 shows a back elevation view of a firearm muzzle brake device.

FIG. 4 shows a right side plan view, which is identical to a left side plan view, of a firearm muzzle brake device; and, FIG. 5 shows a top plan view, which is identical to a bottom plan view, of a firearm muzzle brake device.

The outermost and innermost broken lines in FIG. 3 depict the boundaries of the claim and form no part of the claimed design. The other broken lines depict portions of the fireman muzzle brake device that form no part of the claimed design.

1 Claim, 3 Drawing Sheets



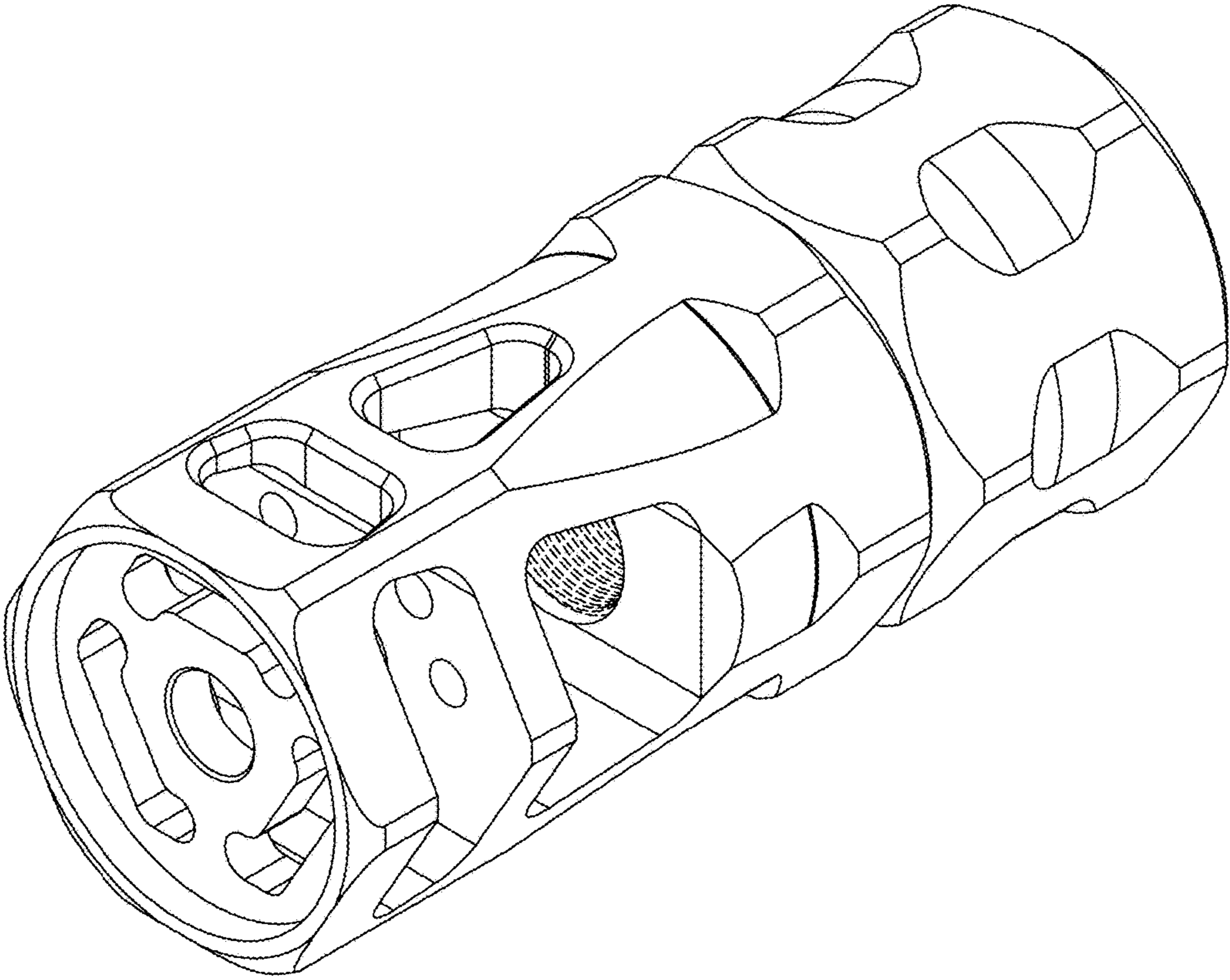


FIG. 1

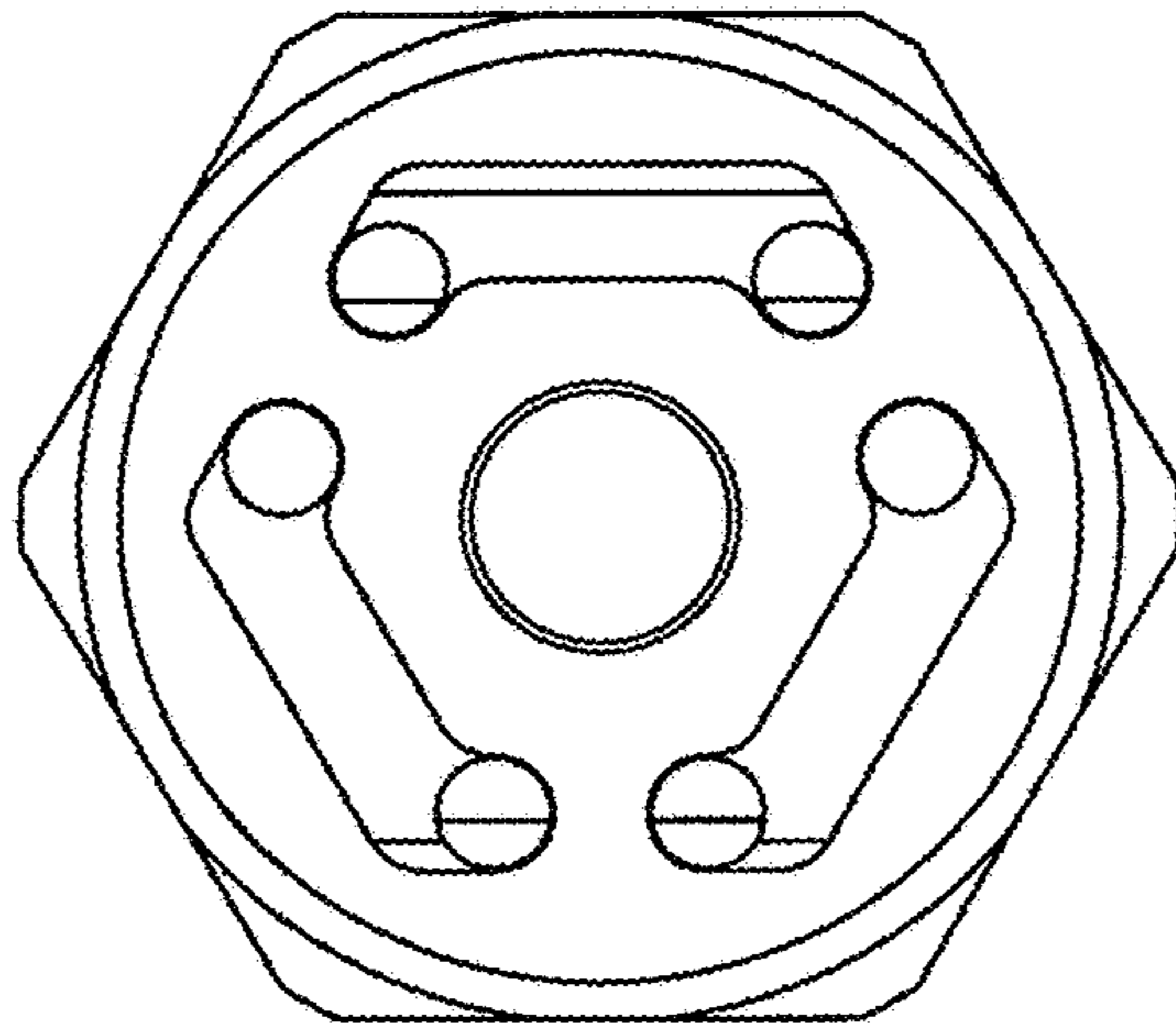


FIG. 2

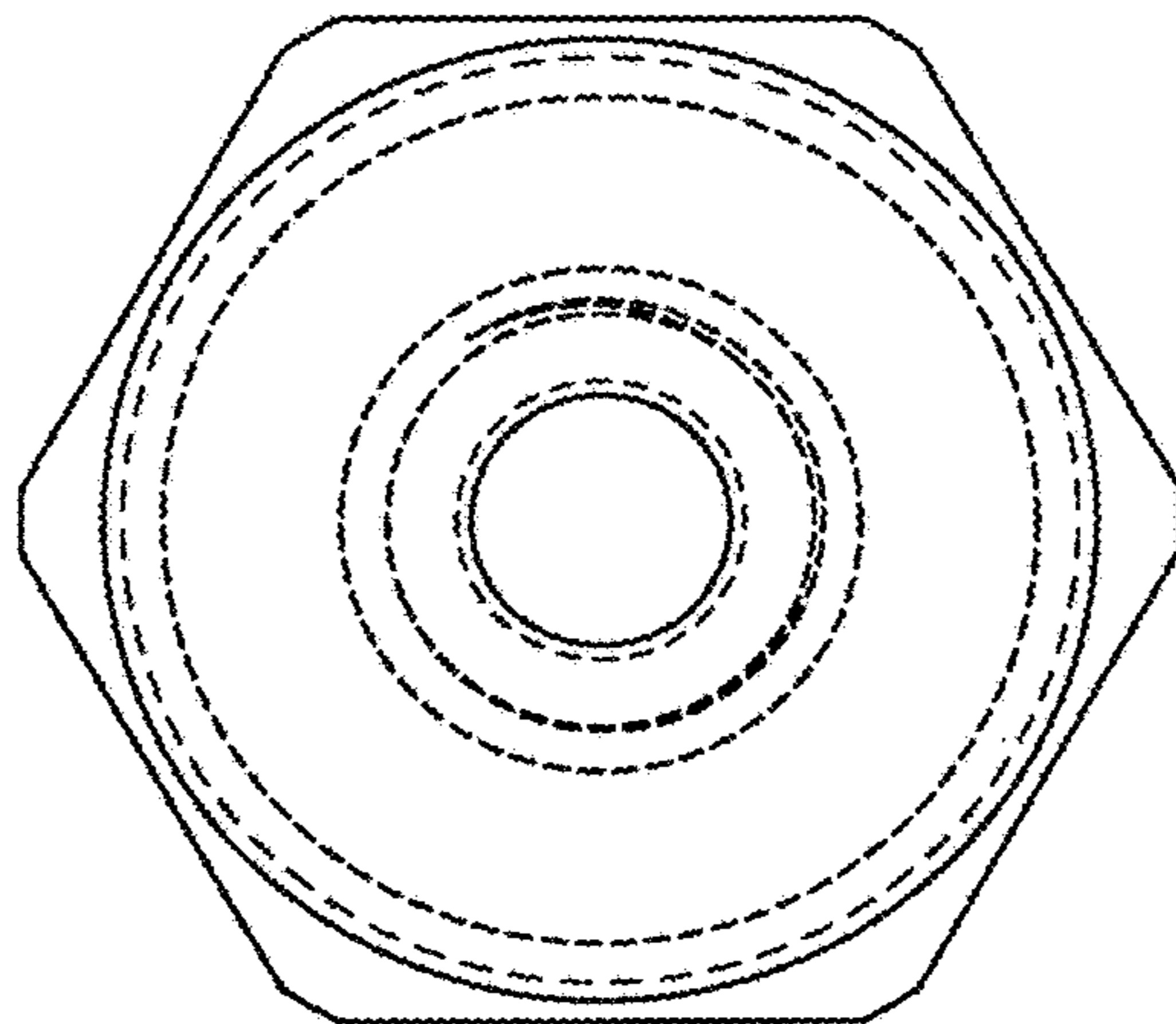


FIG. 3

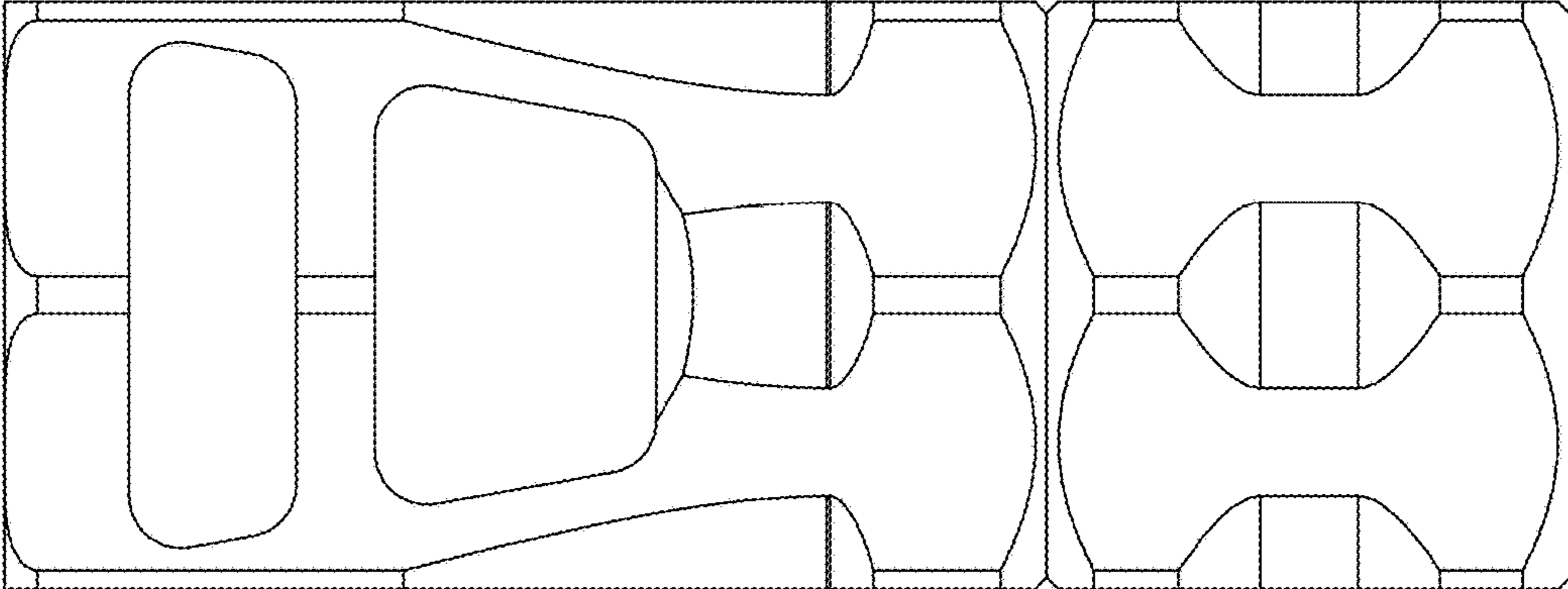


FIG. 4

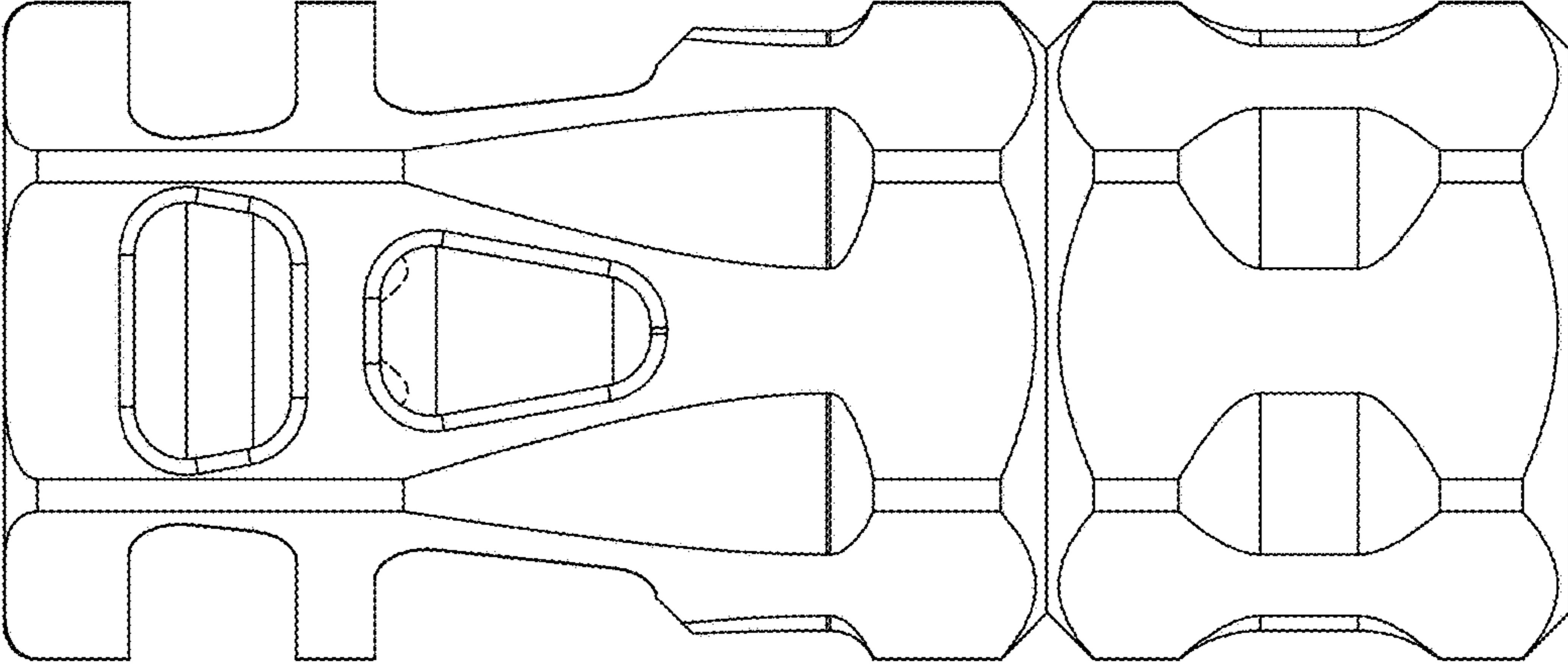


FIG. 5