



US00D846681S

(12) **United States Design Patent**
Zukowski

(10) **Patent No.:** **US D846,681 S**

(45) **Date of Patent:** **** Apr. 23, 2019**

- (54) **PISTOL WITH GRIP SAFETY**
- (71) Applicant: **Smith & Wesson Corp.**, Springfield, MA (US)
- (72) Inventor: **Gary Zukowski**, Ludlow, MA (US)
- (73) Assignee: **Smith & Wesson Corp.**, Springfield, MA (US)
- (**) Term: **15 Years**
- (21) Appl. No.: **29/605,493**
- (22) Filed: **May 26, 2017**
- (51) **LOC (11) Cl.** **22-01**
- (52) **U.S. Cl.**
USPC **D22/104**
- (58) **Field of Classification Search**
USPC D22/104-105, 107-110, 199;
D21/571-575
CPC F41C 3/14; F41C 3/16; F41C 3/04
See application file for complete search history.

- D814,592 S * 4/2018 Curry D22/104
- D814,593 S * 4/2018 O'Clair D22/104
- D814,596 S * 4/2018 Curry D22/108
- D815,233 S * 4/2018 Toner D22/104
- D823,969 S * 7/2018 Beville D22/104

(Continued)

OTHER PUBLICATIONS

SmithWessonCorp, Julie Golob Shows off the M&P. 380 Shield EZ, posted at YouTube, posting date Feb. 25, 2018. Site visited Jan. 24, 2019. URL: <https://www.youtube.com/watch?time_continue=1&v=DjLBfe8Igwk> (Year: 2018).*

(Continued)

Primary Examiner — Kevin K Rudzinski
Assistant Examiner — Kathleen L Jones
(74) *Attorney, Agent, or Firm* — John A. Chionchio, Esq.; Ballard Spahr LLP

(57) **CLAIM**

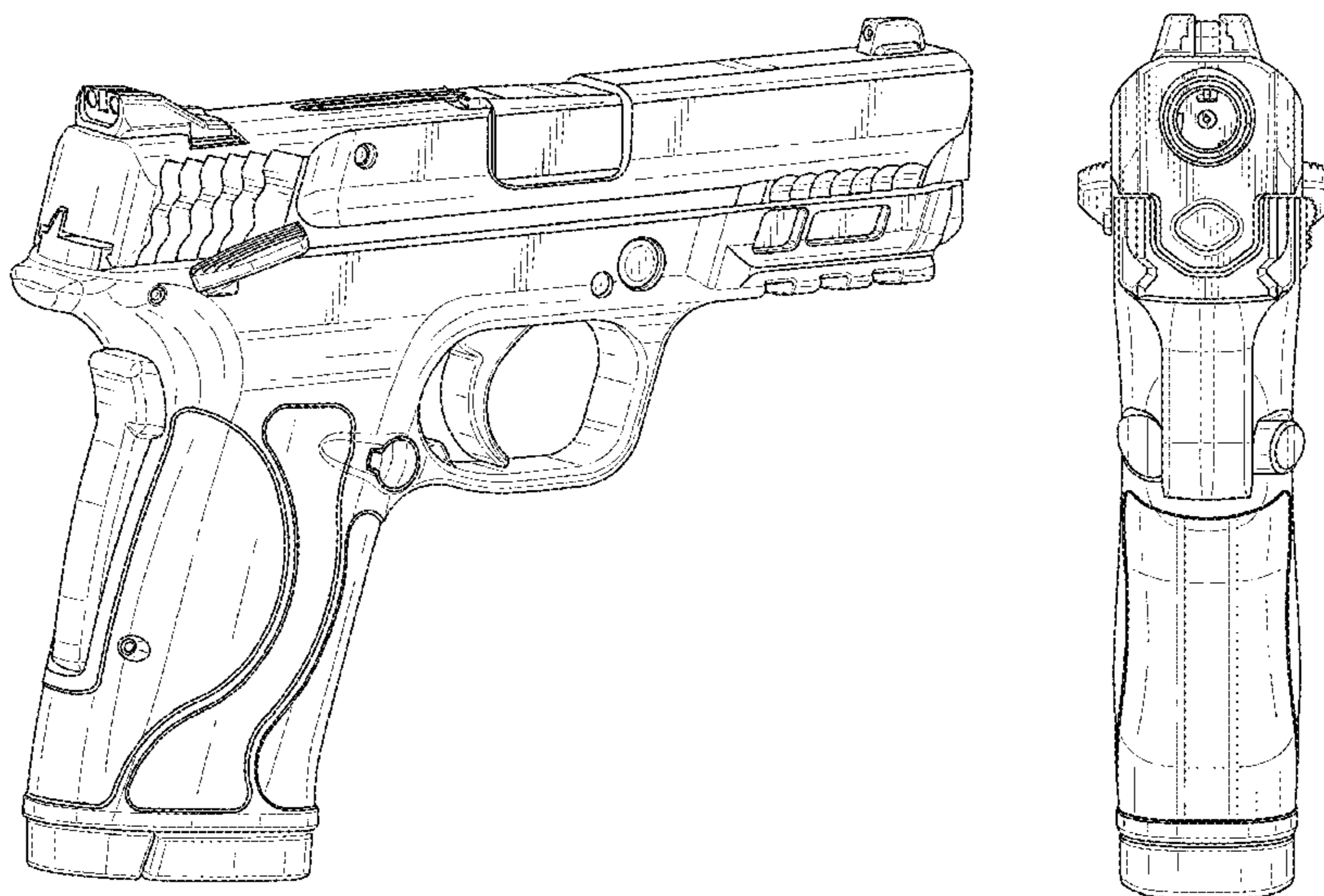
I claim the ornamental design for a pistol with grip safety, as shown and described.

DESCRIPTION

FIG. 1 is an isometric view of an embodiment of a pistol with grip safety according to the invention;
FIG. 2 is a right side view of the pistol with grip safety shown in FIG. 1;
FIG. 3 is a left side view of the pistol with grip safety shown in FIG. 1;
FIG. 4 is a rear view of the pistol with grip safety shown in FIG. 1;
FIG. 5 is a front view of the pistol with grip safety shown in FIG. 1;
FIG. 6 is a top view of the pistol with grip safety shown in FIG. 1; and,
FIG. 7 is a bottom view of the pistol with grip safety shown in FIG. 1.

1 Claim, 4 Drawing Sheets

- (56) **References Cited**
- U.S. PATENT DOCUMENTS
- D479,570 S * 9/2003 Scheunert D22/104
- D516,661 S * 3/2006 McGarry D22/104
- D579,072 S * 10/2008 McGarry D22/104
- D593,629 S * 6/2009 Bantle D22/104
- D597,625 S * 8/2009 Pflaumer D22/104
- D627,028 S * 11/2010 Coulombier D22/104
- D654,978 S * 2/2012 Karanian D22/104
- D671,610 S * 11/2012 Nebeker D22/104
- D681,131 S * 4/2013 Su D21/574
- D690,374 S * 9/2013 Lee D21/574
- 8,950,100 B2 * 2/2015 Nebeker F41A 3/64
42/108
- D755,907 S * 5/2016 Hu D21/574
- 9,651,337 B1 * 5/2017 Curry F41G 1/26
- D791,262 S * 7/2017 Brown D22/104
- D808,487 S * 1/2018 Beville D22/104



(56)

References Cited

U.S. PATENT DOCUMENTS

D828,881 S * 9/2018 Lee D21/574
 D830,480 S * 10/2018 Chu D21/574
 2008/0163531 A1 * 7/2008 Zukowski F41A 17/46
 42/21
 2017/0328656 A1 * 11/2017 O'Clair F41A 9/65
 2018/0274872 A1 * 9/2018 Zukowski F41A 19/44

OTHER PUBLICATIONS

Pete, Breaking: HK Releases SFP9 L, SFP9 SK, Maritime and Optics Ready Pistols, posted at The Firearm Blog, posting date Mar. 1, 2017. Site visited Jan. 24, 2019. URL: <<https://www.thefirearmblog.com/blog/2017/03/01/hk-sfp9-l-sfp9-sk/>> (Year: 2017).*

Nathaniel F, Grapevine: U.S. Army Pays \$207 Per Pistol to Sig Sauer, posted at The Firearm Blog, posting date Jan. 24, 2017. Site visited Jan. 24, 2019. URL: <<https://www.thefirearmblog.com/blog/2017/01/24/grapevine-us-army-pays-207-per-pistol-sig-sauer-m17-modular-handguns/>> (Year: 2017).*

SIGP320, posted at Internet Movie Firearm Database, reference dated Sep. 16, 2016. Site visited Jan. 24, 2019. URL: <<http://www.imfdb.org/wiki/File:SIGP320.jpg>> (Year: 2016).*

Smith & Wesson M&P. Compact, posted at Internet Movie Firearm Database, reference dated Oct. 8, 2010. Site visited Jan. 24, 2019. URL: <<http://www.imfdb.org/wiki/File:Smith%26WessonM%26PCompact.jpg>> (Year: 2010).*

* cited by examiner

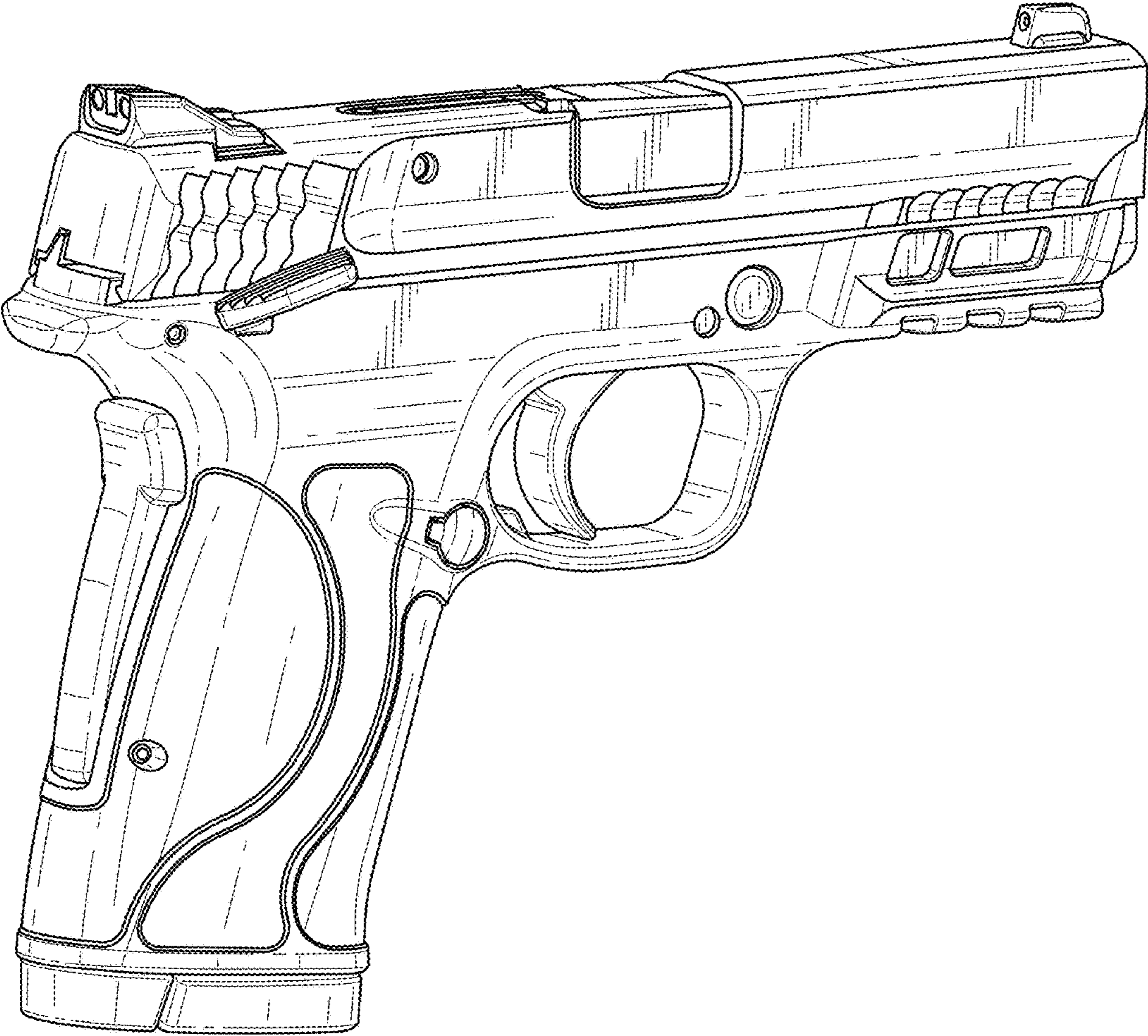


FIG. 1

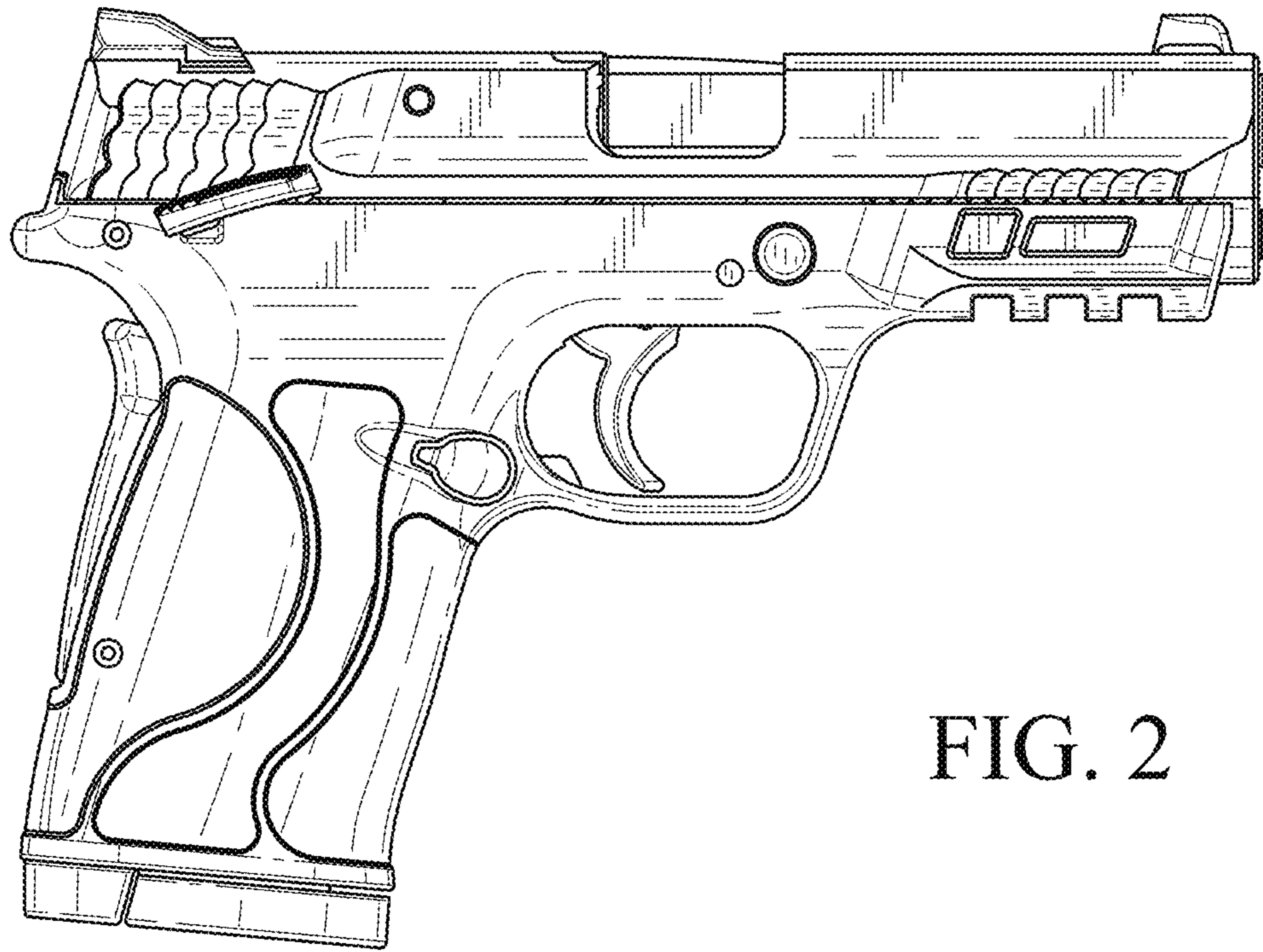


FIG. 2

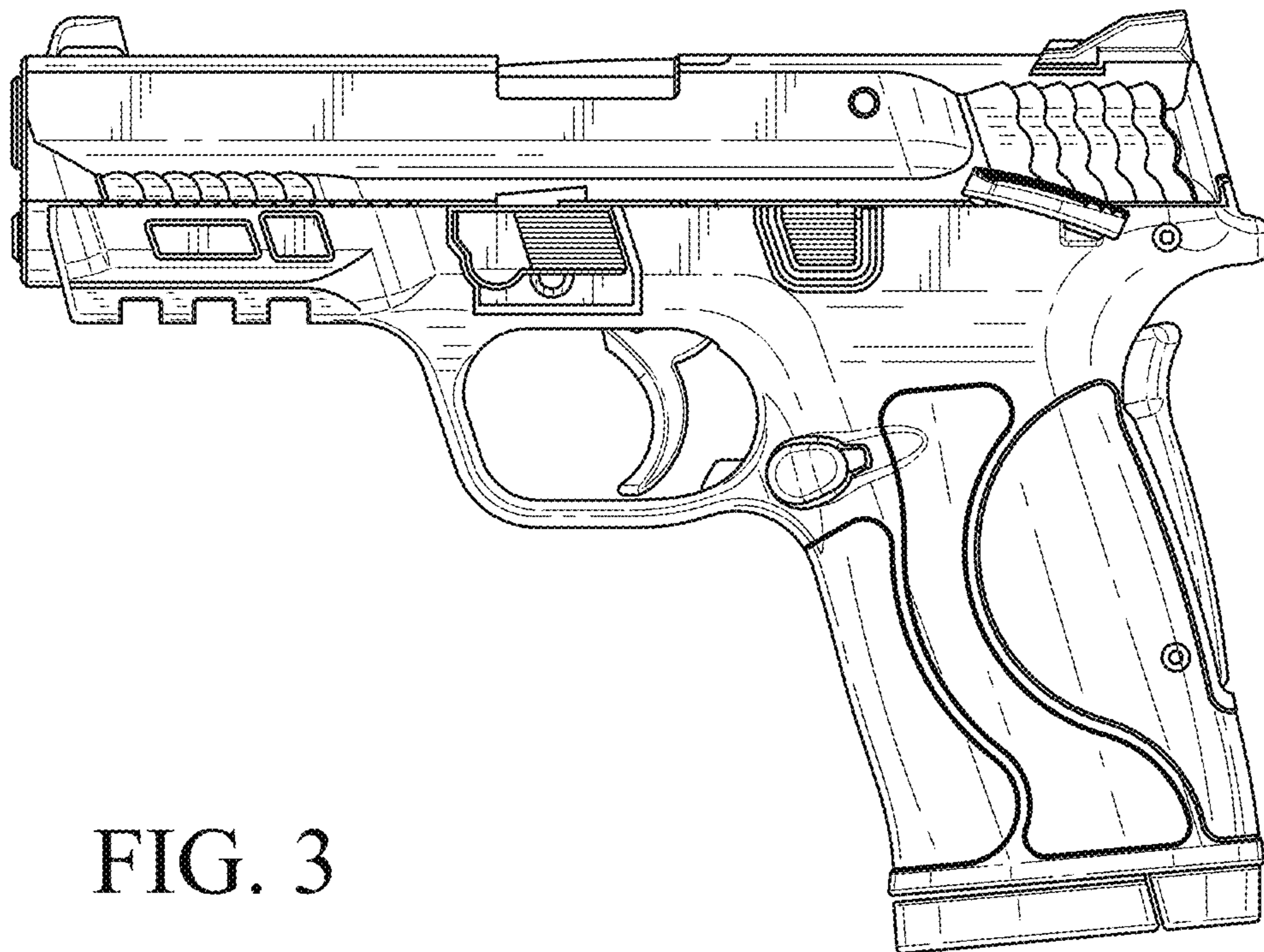


FIG. 3

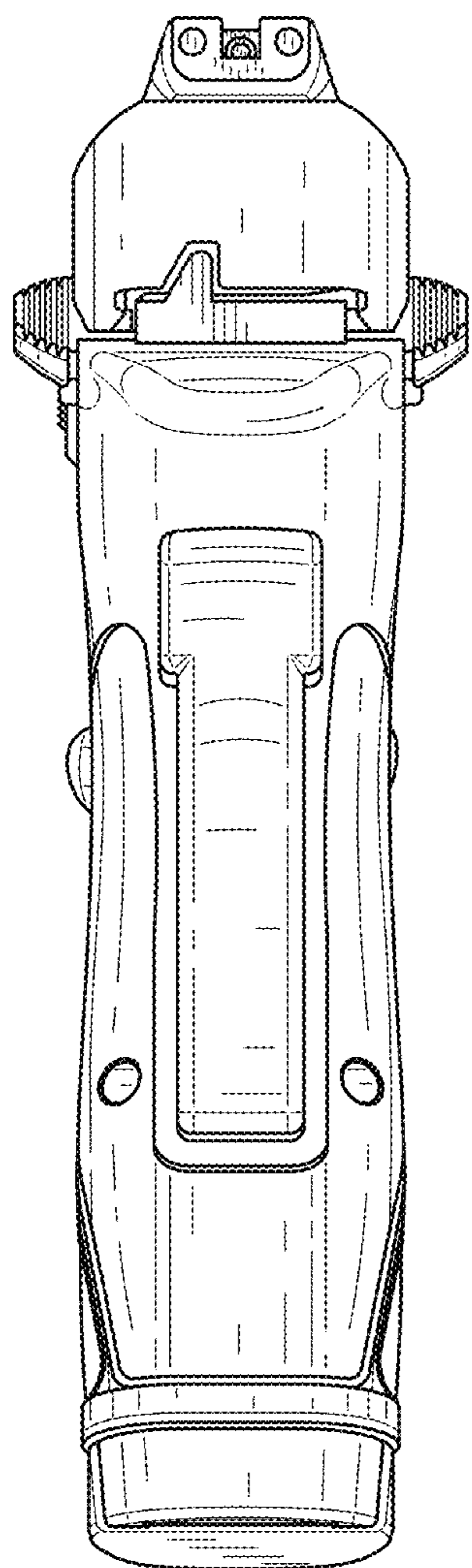


FIG. 4

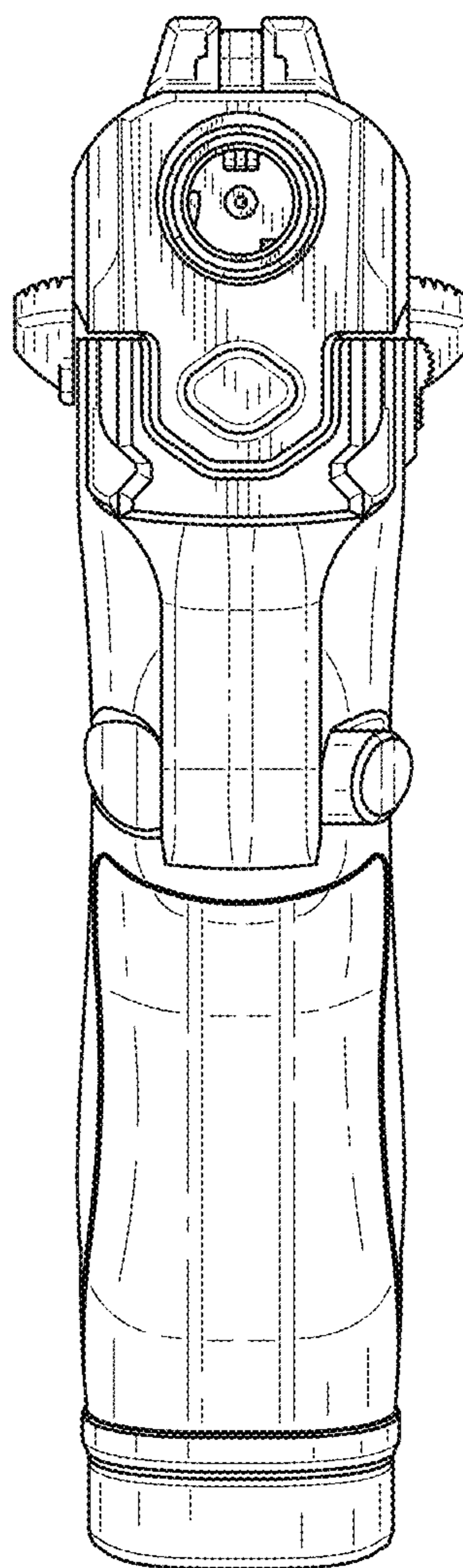


FIG. 5

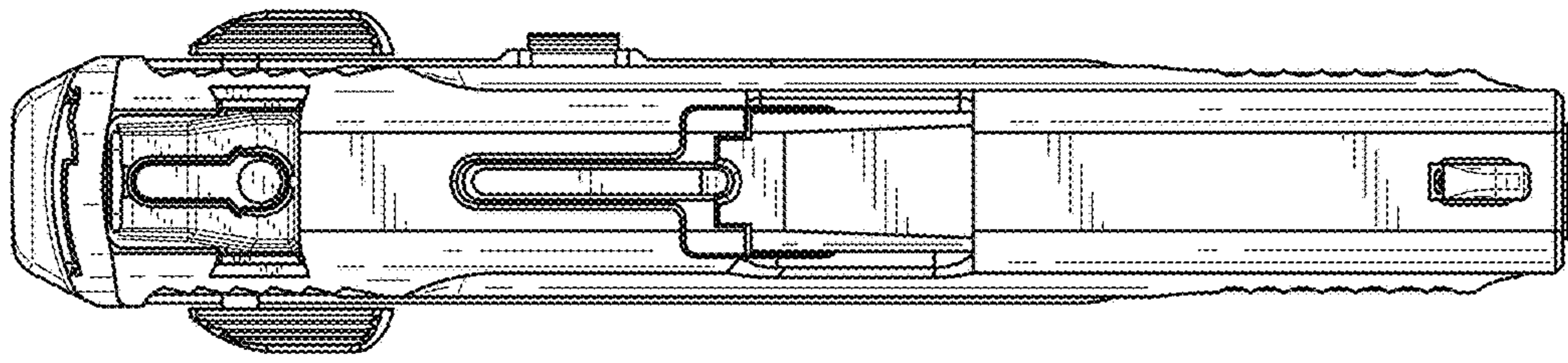


FIG. 6

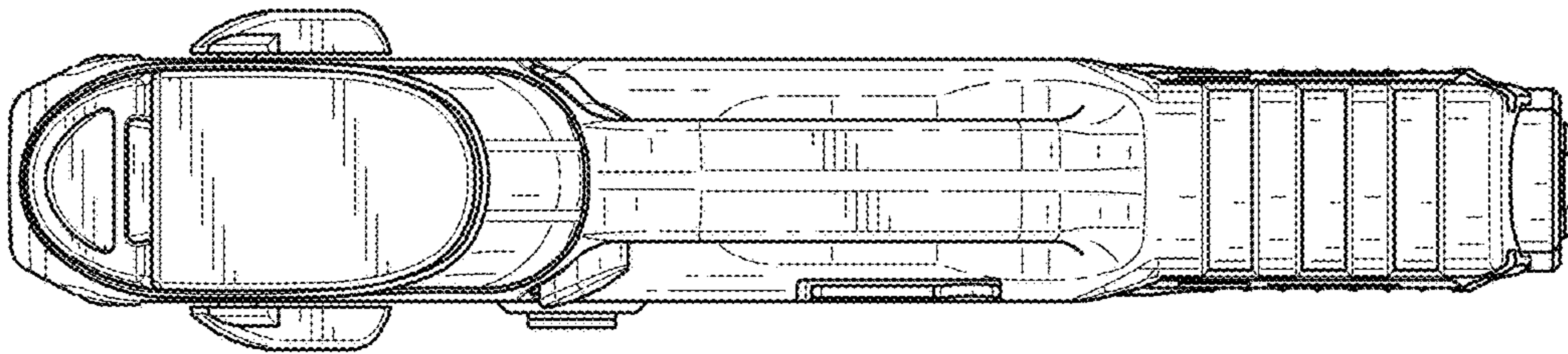


FIG. 7