



US00D846678S

(12) **United States Design Patent**  
**Arias**

(10) **Patent No.:** **US D846,678 S**

(45) **Date of Patent:** **\*\* Apr. 23, 2019**

(54) **FLOTATION DEVICE**

(71) Applicant: **Swimways Corporation**, Virginia Beach, VA (US)

(72) Inventor: **David A. Arias**, Virginia Beach, VA (US)

(73) Assignee: **Swimways Corporation**, Virginia Beach, VA (US)

(\*\*) Term: **15 Years**

(21) Appl. No.: **29/639,036**

(22) Filed: **Mar. 2, 2018**

**Related U.S. Application Data**

(62) Division of application No. 29/537,217, filed on Aug. 24, 2015, now abandoned.

(51) **LOC (11) Cl.** ..... **21-02**

(52) **U.S. Cl.**  
USPC ..... **D21/803**

(58) **Field of Classification Search**  
USPC ..... D21/803, 804, 807, 809, 810; D29/124;  
D6/392, 595, 596, 601, 604, 605  
(Continued)

(56) **References Cited**

**U.S. PATENT DOCUMENTS**

D197,197 S 12/1963 Bennett  
3,135,978 A \* 6/1964 Grasmoen ..... A47C 27/081  
441/131

(Continued)

**OTHER PUBLICATIONS**

Swimways Spring Float Sun Tube Lounger Blue/Red by Spring Float Sun Tube Lounger: Published Nov. 29, 2016 [online], site visited Oct. 23, 2018. Available from Internet URL: <http://a.co/d/5deWtzZ>.\*

(Continued)

*Primary Examiner* — Garth Rademaker

*Assistant Examiner* — Melvin L Davis

(74) *Attorney, Agent, or Firm* — Cooley LLP

(57) **CLAIM**

The ornamental design for a flotation device, as shown and described.

**DESCRIPTION**

FIG. 1 is a front perspective view of a flotation device, according to an embodiment;

FIG. 2 is a front view of the flotation device illustrated in FIG. 1;

FIG. 3 is a rear view of the flotation device illustrated in FIG. 1;

FIG. 4 is a left side view of the flotation device illustrated in FIG. 1;

FIG. 5 is a right side view of the flotation device illustrated in FIG. 1;

FIG. 6 is a top view of the flotation device illustrated in FIG. 1;

FIG. 7 is a bottom view of the flotation device illustrated in FIG. 1;

FIG. 8 is a cross-sectional view of the flotation device of FIG. 1 taken along line 8-8 in FIG. 6;

FIG. 9 is a front perspective view of a flotation device, according to another embodiment;

FIG. 10 is a front view of the flotation device illustrated in FIG. 9;

FIG. 11 is a rear view of the flotation device illustrated in FIG. 9;

FIG. 12 is a left side view of the flotation device illustrated in FIG. 9;

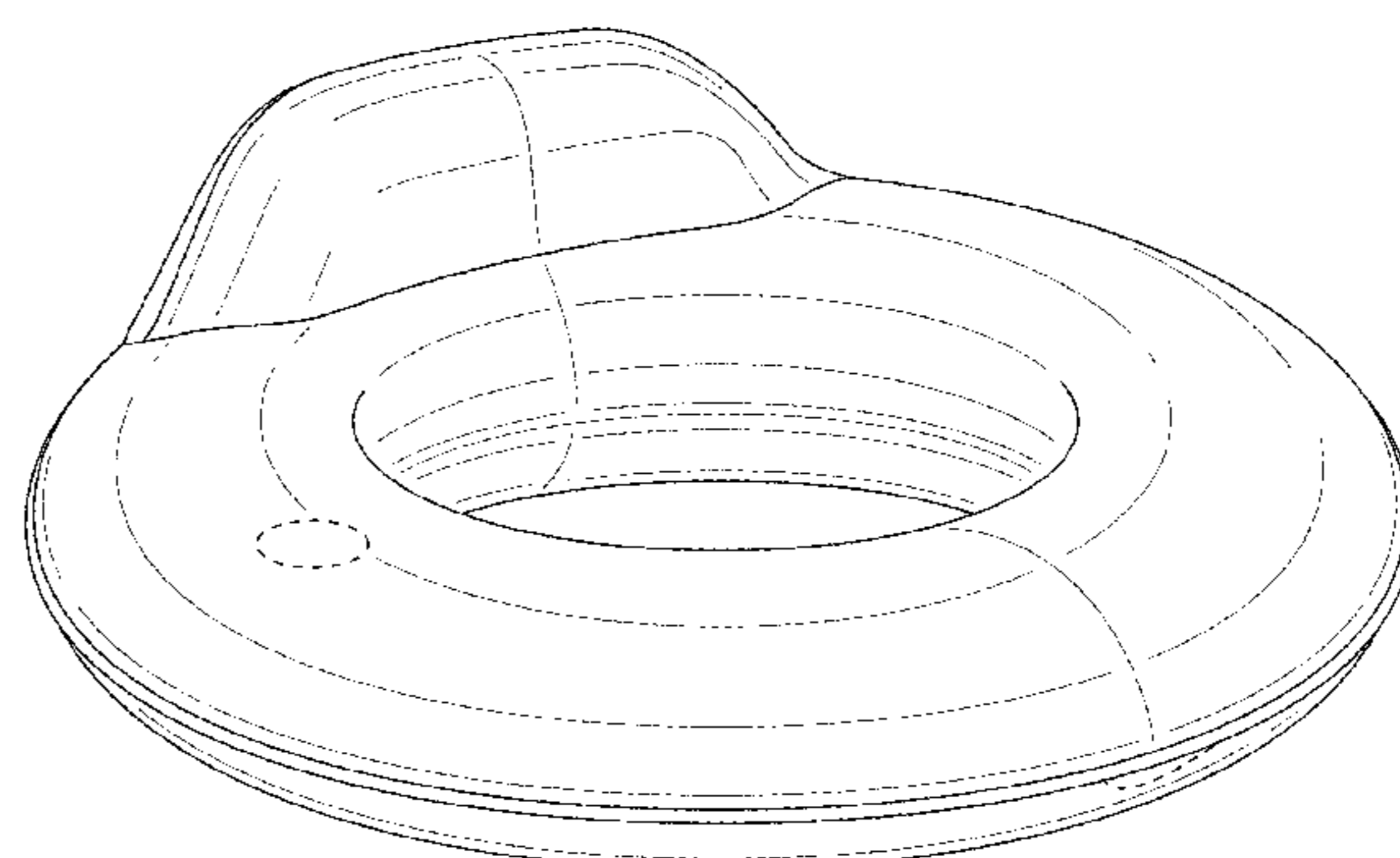
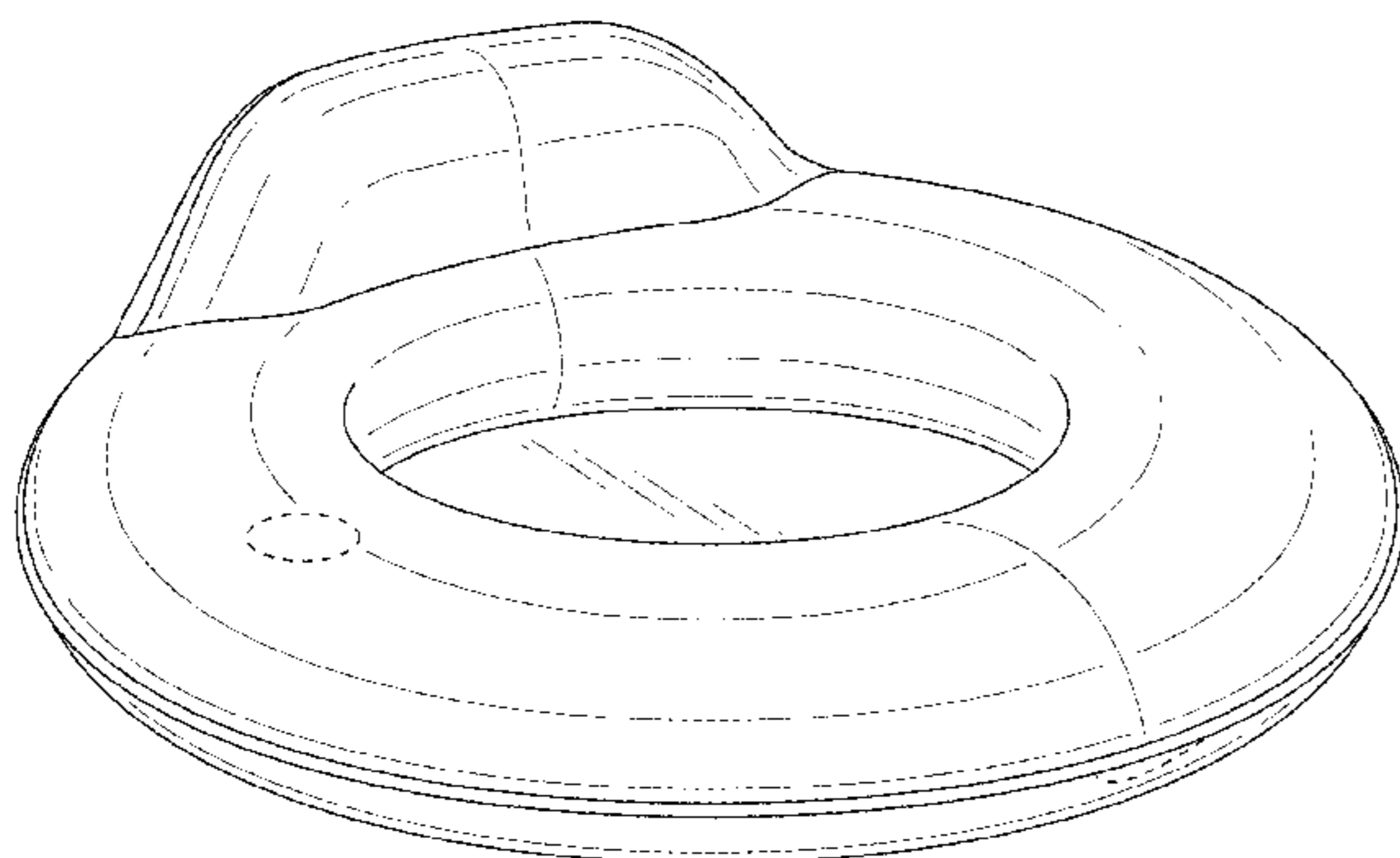
FIG. 13 is a right side view of the flotation device illustrated in FIG. 9;

FIG. 14 is a top view of the flotation device illustrated in FIG. 9;

FIG. 15 is a bottom view of the flotation device illustrated in FIG. 9; and,

FIG. 16 is a cross-sectional view of the flotation device of FIG. 9 taken along line 16-16 in FIG. 14.

(Continued)



The broken lines illustrate portions of the flotation device that form no part of the claimed design.

**1 Claim, 12 Drawing Sheets**

(58) **Field of Classification Search**

CPC .. A63B 21/4005; A47C 15/006; A47C 15/008  
See application file for complete search history.

(56) **References Cited**

U.S. PATENT DOCUMENTS

3,493,228 A	2/1970	Hicks et al.	
D230,454 S	2/1974	Thompson	
3,901,503 A *	8/1975	Klose .....	A63B 21/0608 482/110
D265,027 S	6/1982	Meyers	
D287,528 S	12/1986	Maxwell et al.	
D289,075 S	3/1987	Wolfe	
4,687,452 A	8/1987	Hull	
D293,012 S	12/1987	Storey et al.	
D315,592 S	3/1991	Tager et al.	
5,167,554 A *	12/1992	Tager .....	B63B 35/76 222/79
5,342,229 A *	8/1994	Whitt .....	B63B 21/24 114/294
D365,024 S *	12/1995	DuBow .....	D9/434
5,476,404 A *	12/1995	Price .....	A47C 15/006 441/126
D366,161 S	1/1996	Arcouette	
5,485,981 A	1/1996	Lindahl	
D371,252 S	7/1996	Chaput	
D384,721 S	10/1997	Peterson	
D386,142 S	11/1997	Peterson	
5,800,229 A	9/1998	Peterson	
D406,299 S	3/1999	Huston	
D416,063 S	11/1999	Scheurer et al.	
D429,592 S	8/2000	Dohan	
6,152,530 A	11/2000	Hsu et al.	
D437,283 S	2/2001	Peterson	
D465,540 S	11/2002	Peterson	
D476,712 S *	7/2003	Peterson .....	D21/803
D481,435 S	10/2003	Zheng	
D485,593 S	1/2004	Muci	
6,746,291 B1	6/2004	Coleman et al.	
6,971,936 B2	12/2005	Le Gette et al.	
D513,915 S	1/2006	Jacklin	
D549,298 S	8/2007	Peterson	

D554,727 S	11/2007	Peterson	
D561,405 S	2/2008	Kalatsky	
D561,861 S	2/2008	Boutin	
D571,429 S	6/2008	Roberts	
D610,216 S	2/2010	Le Gette et al.	
8,047,886 B1 *	11/2011	McLarty .....	B63B 7/06 114/346
D686,684 S	7/2013	Wolfenbarger	
D702,789 S	4/2014	Berenson et al.	
D719,630 S	12/2014	Berenson et al.	
D725,209 S	3/2015	Wampold	
D765,200 S	8/2016	Gershon	
D775,293 S *	12/2016	Miller .....	D21/803
D788,247 S *	5/2017	Lin .....	D21/815
D813,997 S *	3/2018	McGuire .....	D23/296
D821,992 S *	7/2018	Sung .....	D13/199
2004/0038603 A1	2/2004	Gaspar	

OTHER PUBLICATIONS

Spring Float Sun Tube Lounger: Published May 11, 2016 [online], site visited Oct. 31, 2018. Available from Internet URL: <https://web.archive.org/web/20160511184855/http://www.theswimshoppe.com/pool-floats/108-spring-float-sun-tube-lounger-.html>.\*

“Swimline transparent swim ring,” [online], posted Jul. 20, 2014, retrieved Mar. 29, 2017, retrieved from <<https://www.toysplash.com/review/product/list/id/15479/category/1635/#customer-reviews>>.

“Tube pro blue 44" premium river tube with backrest and cupholder,” [online], posted Jul. 10, 2014, retrieved Dec. 5, 2016, retrieved from <<https://www.amazon.com/Tube-Pro-Premium-Backrest-Cupholder/dp/B00KMGZDMC>>.

“Boy playing with blue life ring,” [online], posted Jun. 14, 2012, retrieved Apr. 27, 2017, retrieved from <<http://stockfresh.com/image/1668860/boy-playing-with-blue-life-ring>>.

“Pink rubber ring in swimming pool stock photo,” [online], posted May 20, 2012, retrieved Apr. 27, 2107, retrieved from <<http://stockfresh.com/image/1814434/pink-rubber-ring-in-swimming-pool>>.

“Tubular packs the float tube with your favorite lazy summer amenities,” [online], posted Aug. 31, 2015, retrieved Dec. 5, 2016, retrieved from <<http://www.coolthings.com/tubular-float-tube-all-in-one/>>.

“Swimways spring float sun tube lounger,” [online], posted May 27, 2016, retrieved Dec. 5, 2016, retrieved from <[https://www.amazon.com/SwimWays-Spring-Float-SunTube-Lounger/product-reviews/B00PC2AJHA/ref=cm\\_cr\\_dp\\_see\\_all\\_btm?ie=UTF8%reviewerType=avp\\_only\\_reviews&showViewpoints=1&sortBy=recent](https://www.amazon.com/SwimWays-Spring-Float-SunTube-Lounger/product-reviews/B00PC2AJHA/ref=cm_cr_dp_see_all_btm?ie=UTF8%reviewerType=avp_only_reviews&showViewpoints=1&sortBy=recent)>.

\* cited by examiner

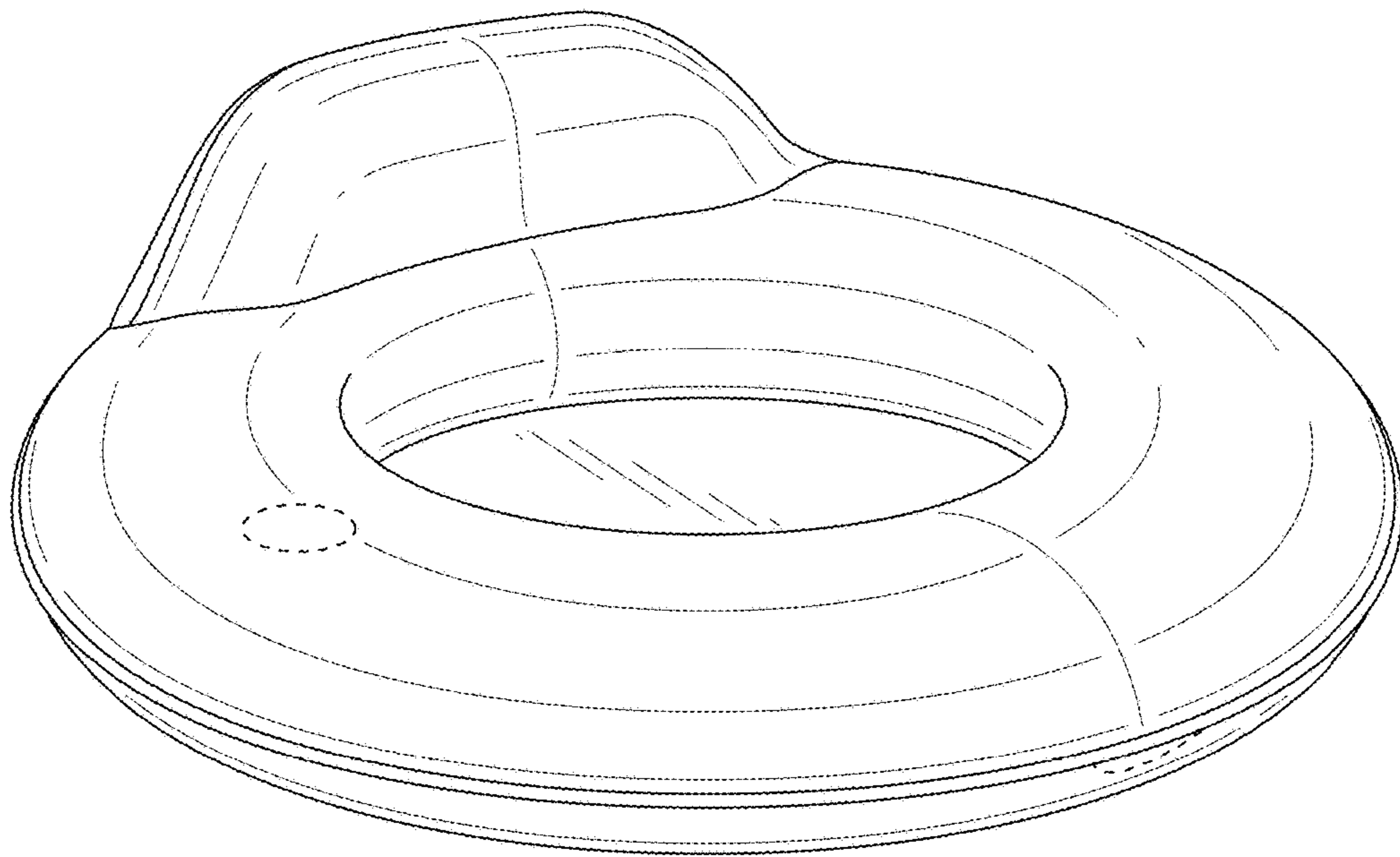


FIG.1

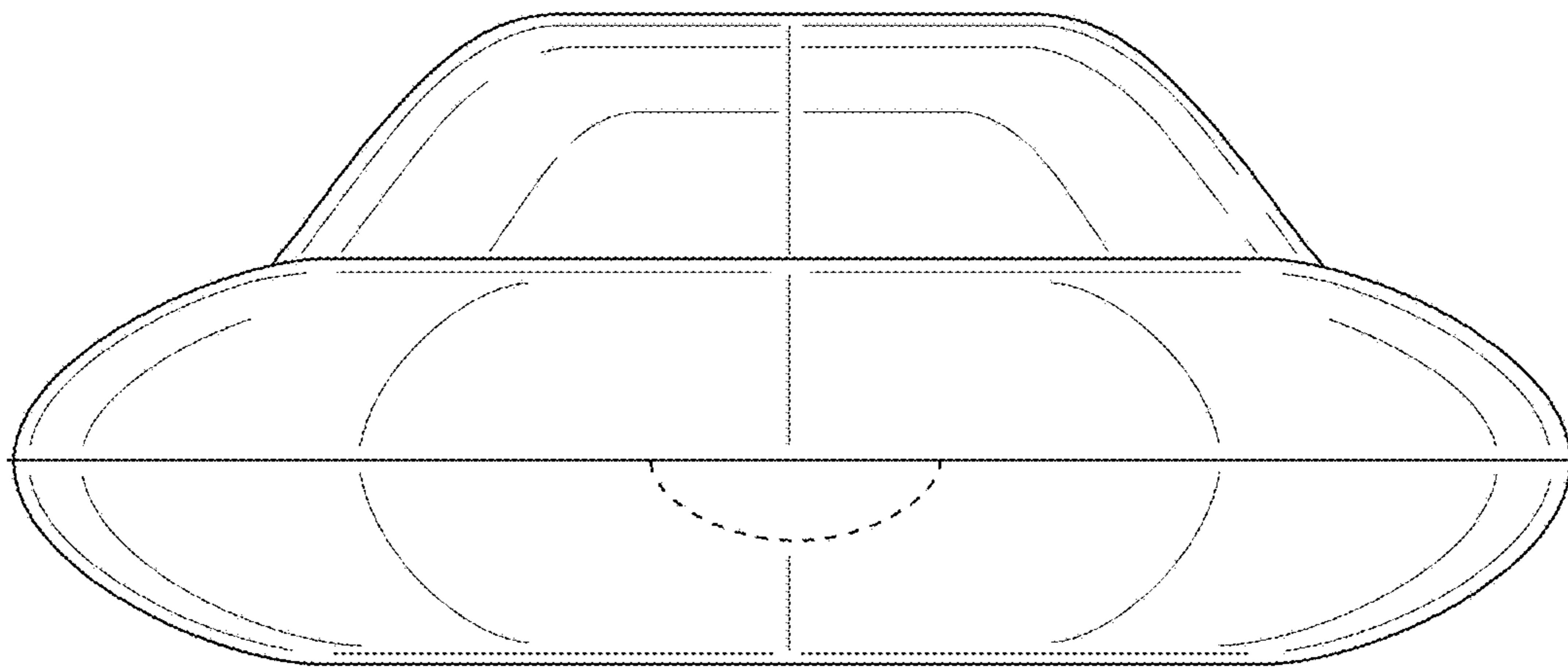


FIG. 2

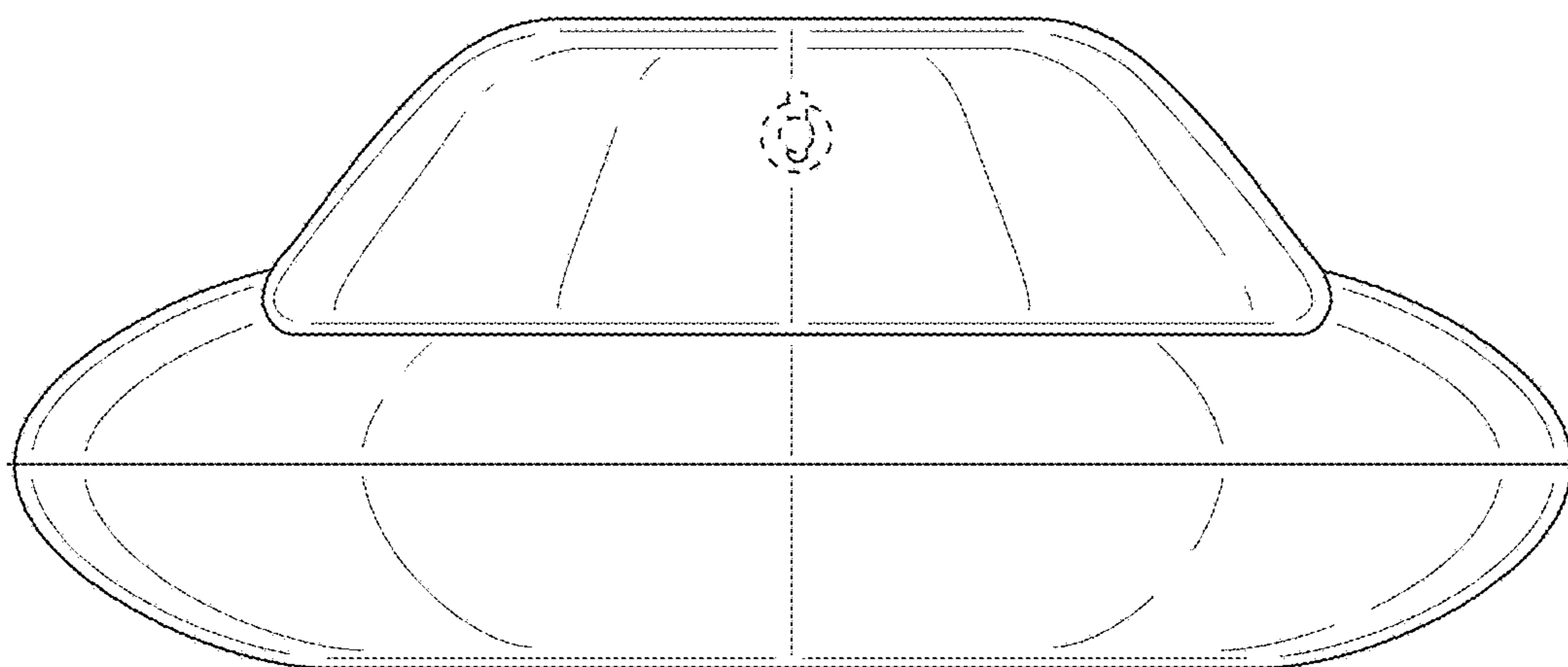


FIG. 3

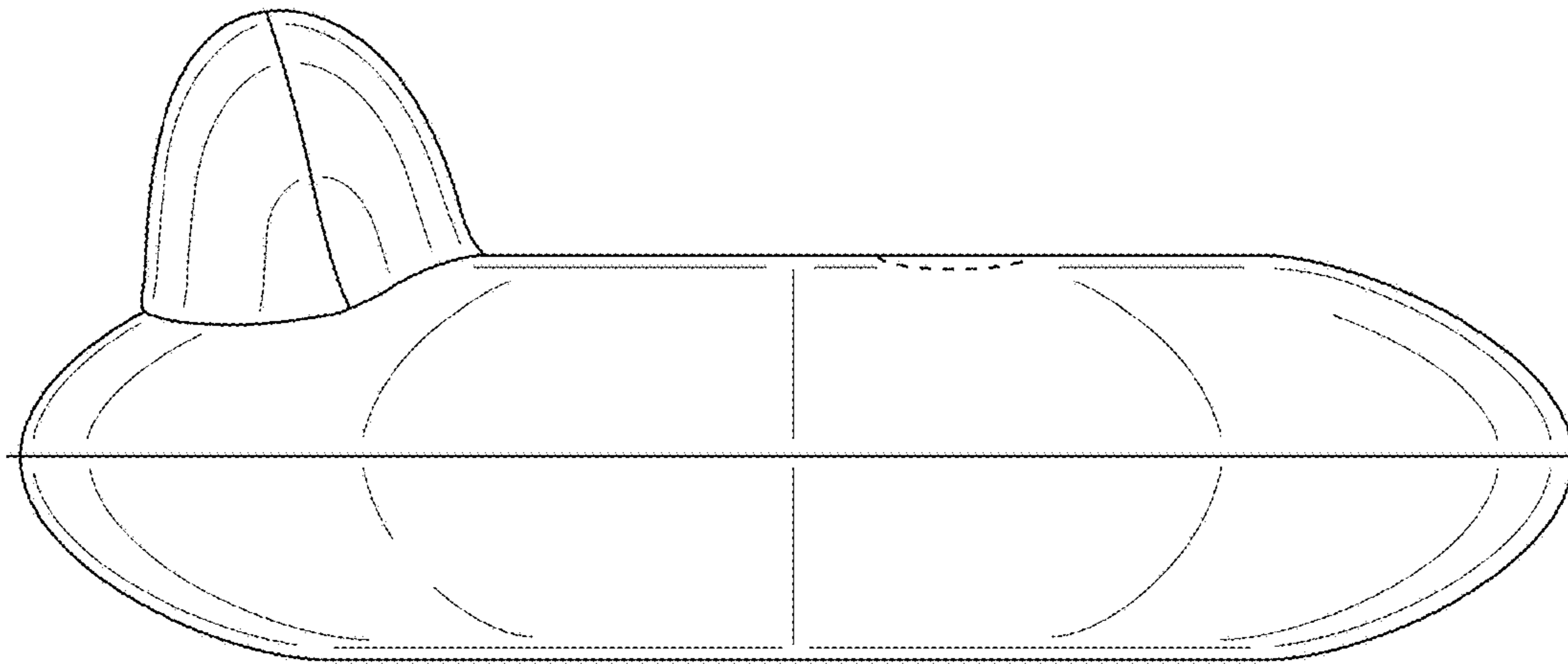


FIG. 4

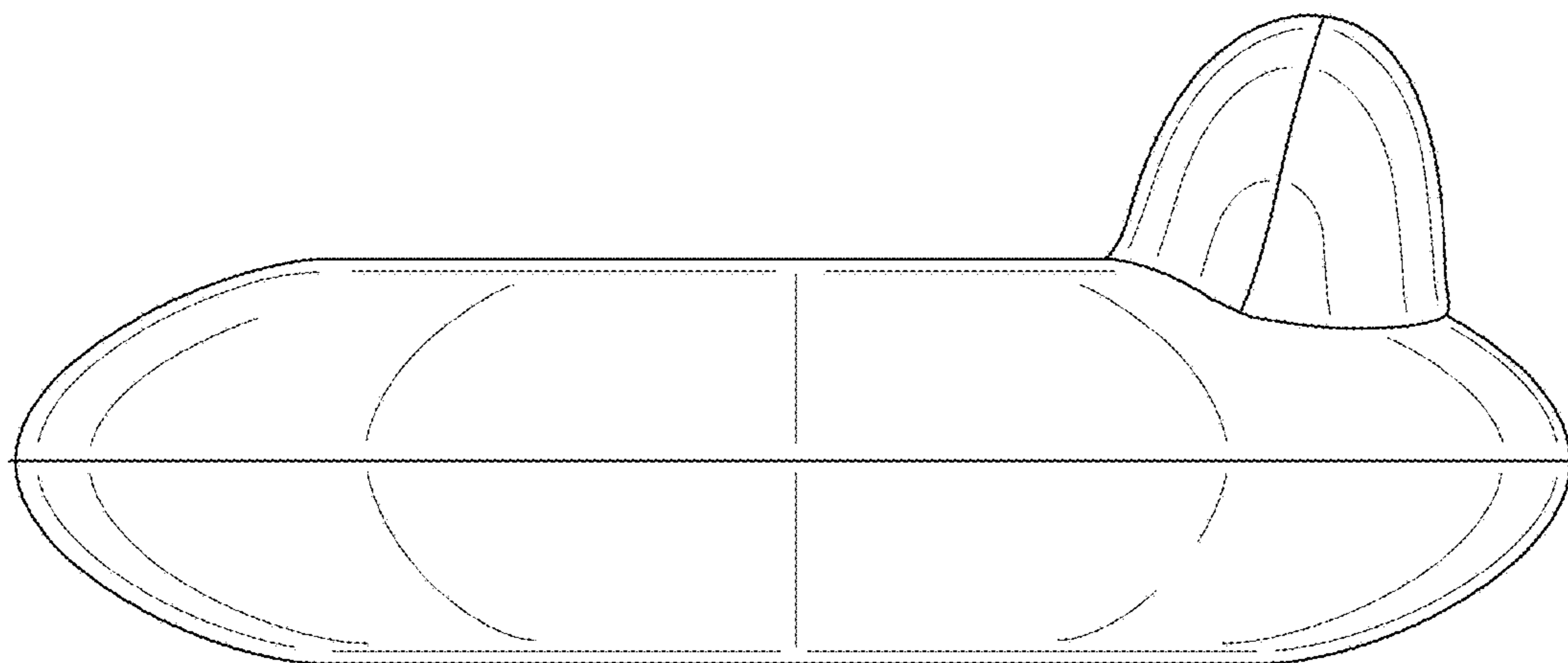


FIG. 5

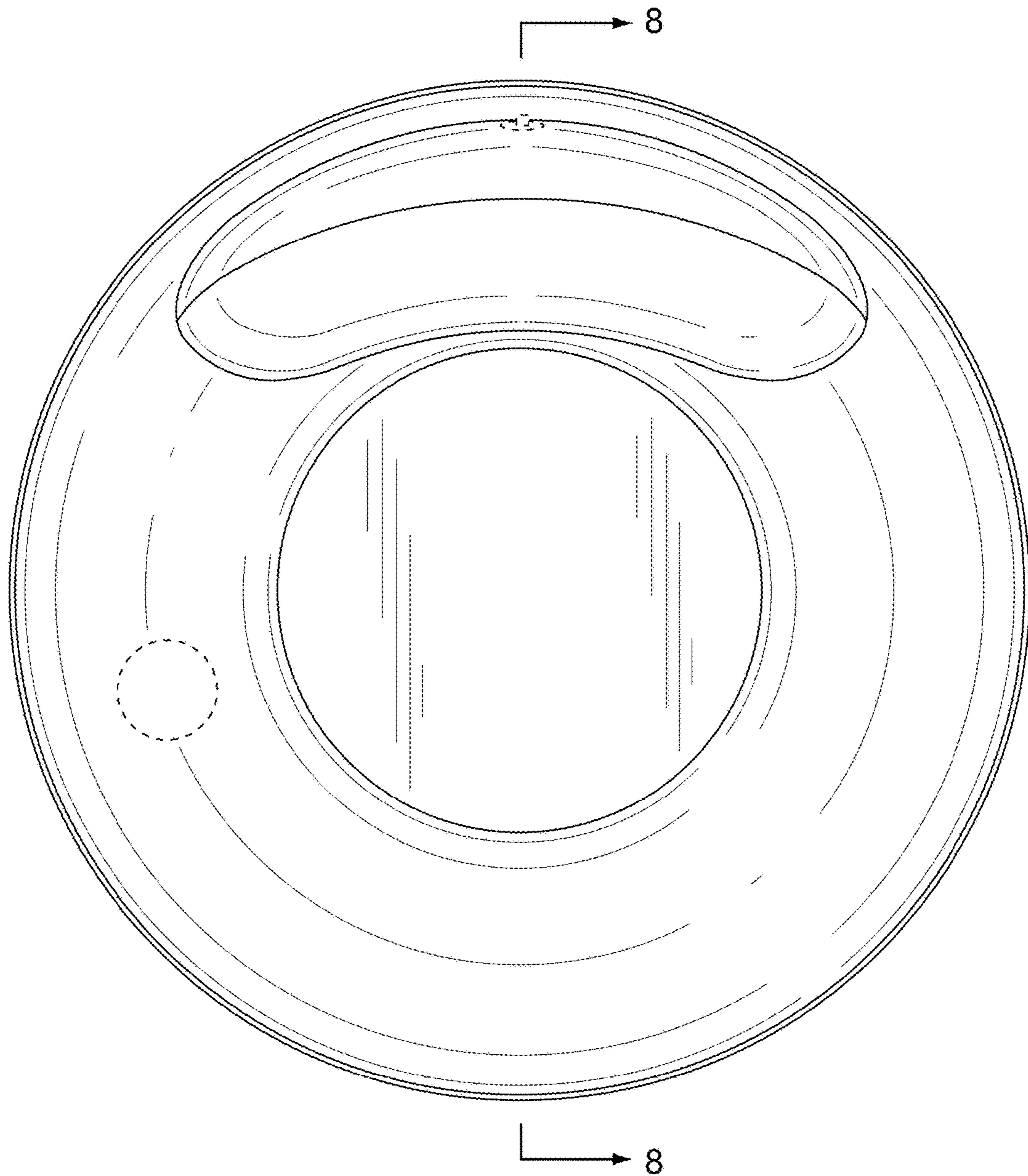


FIG.6

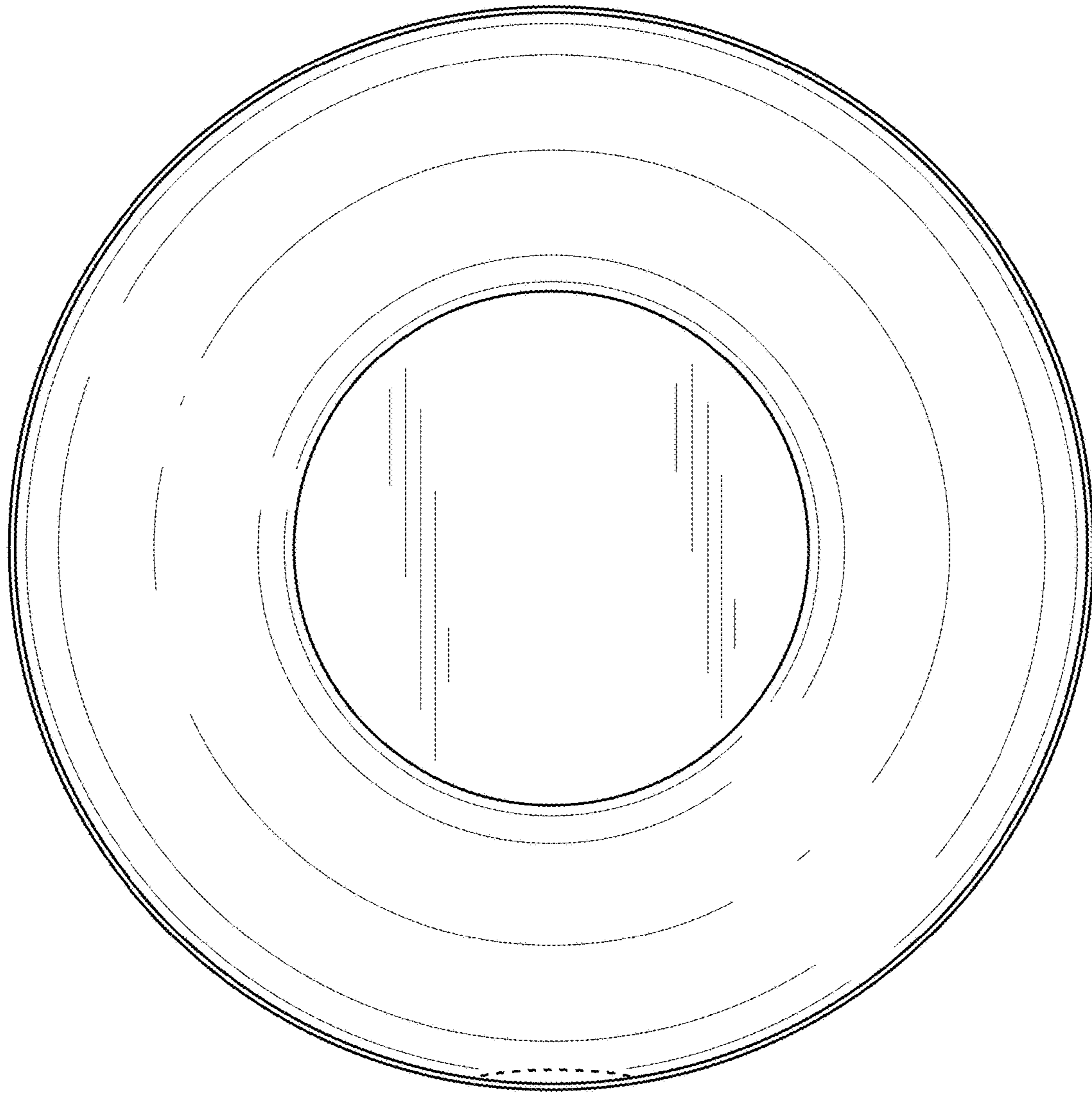


FIG.7

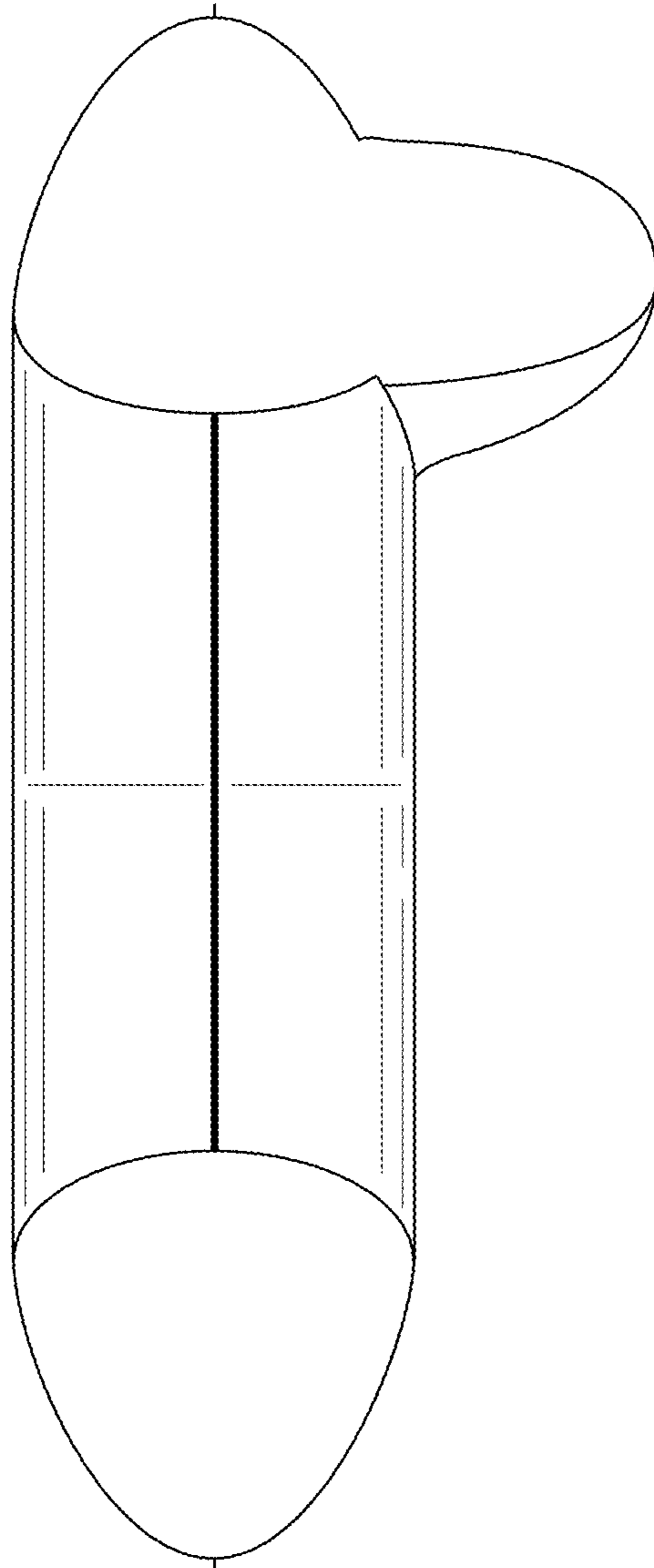


FIG.8



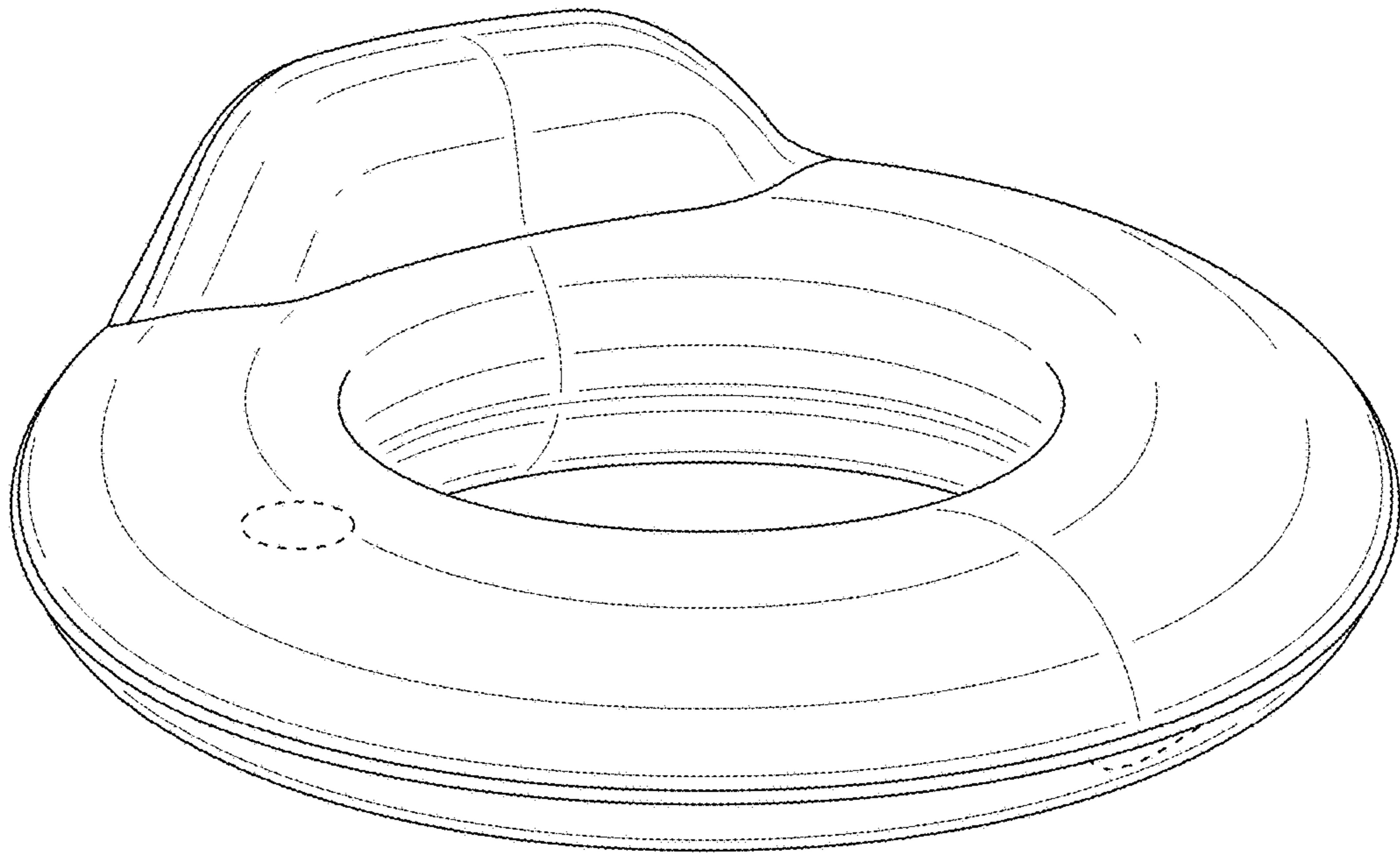


FIG. 9

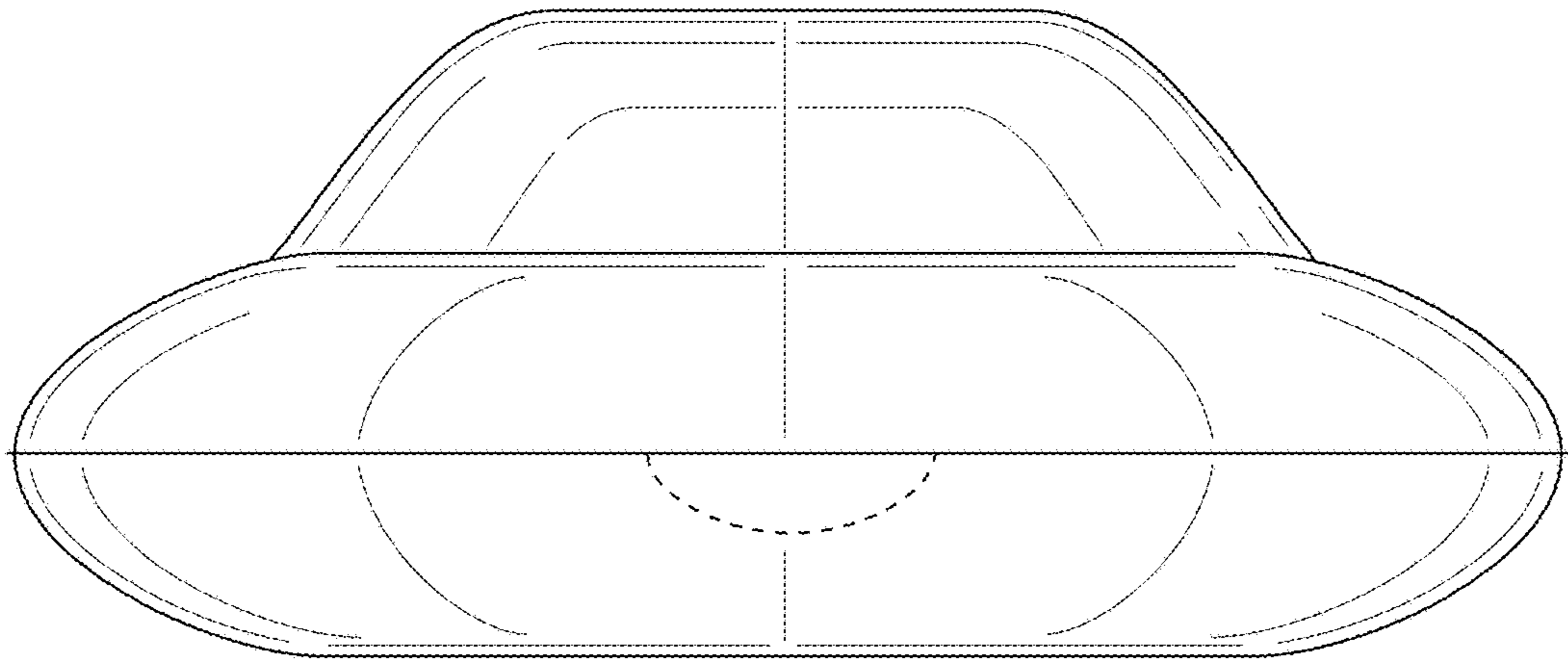


FIG.10

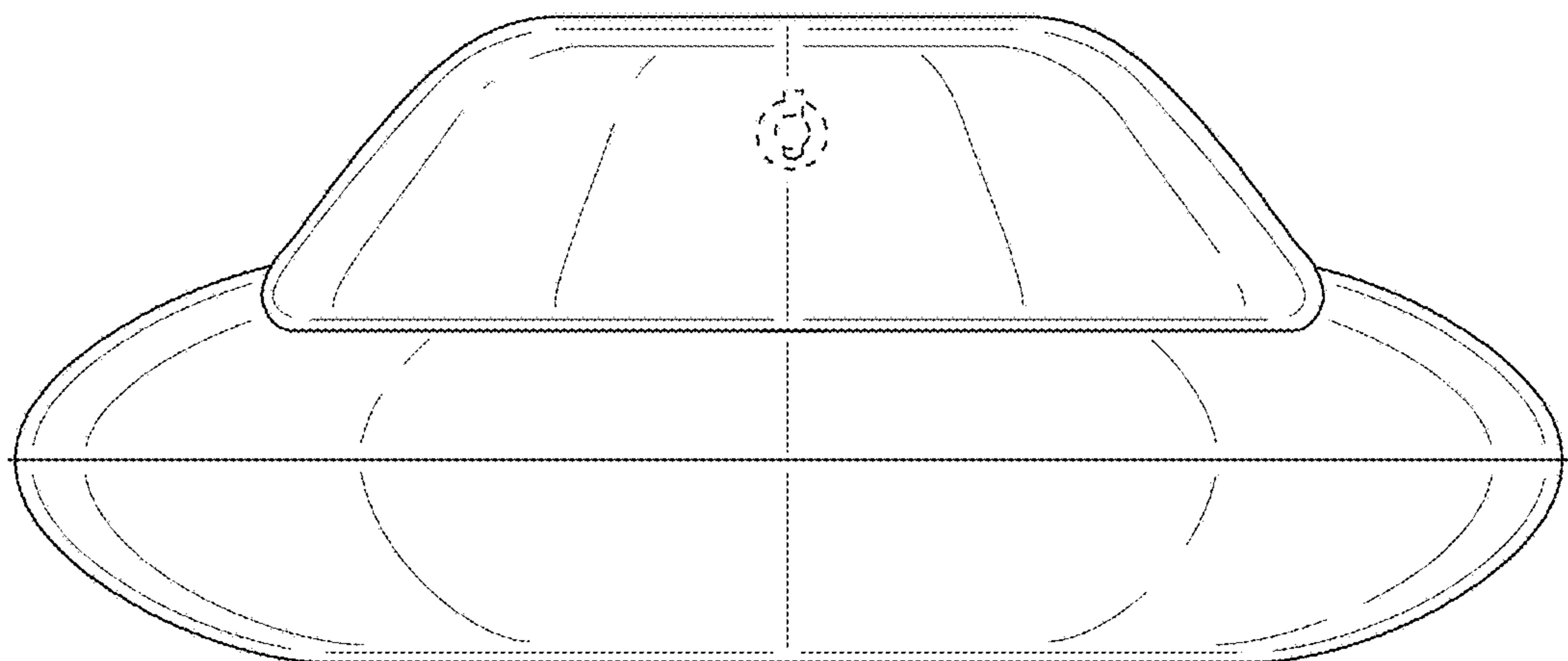


FIG.11

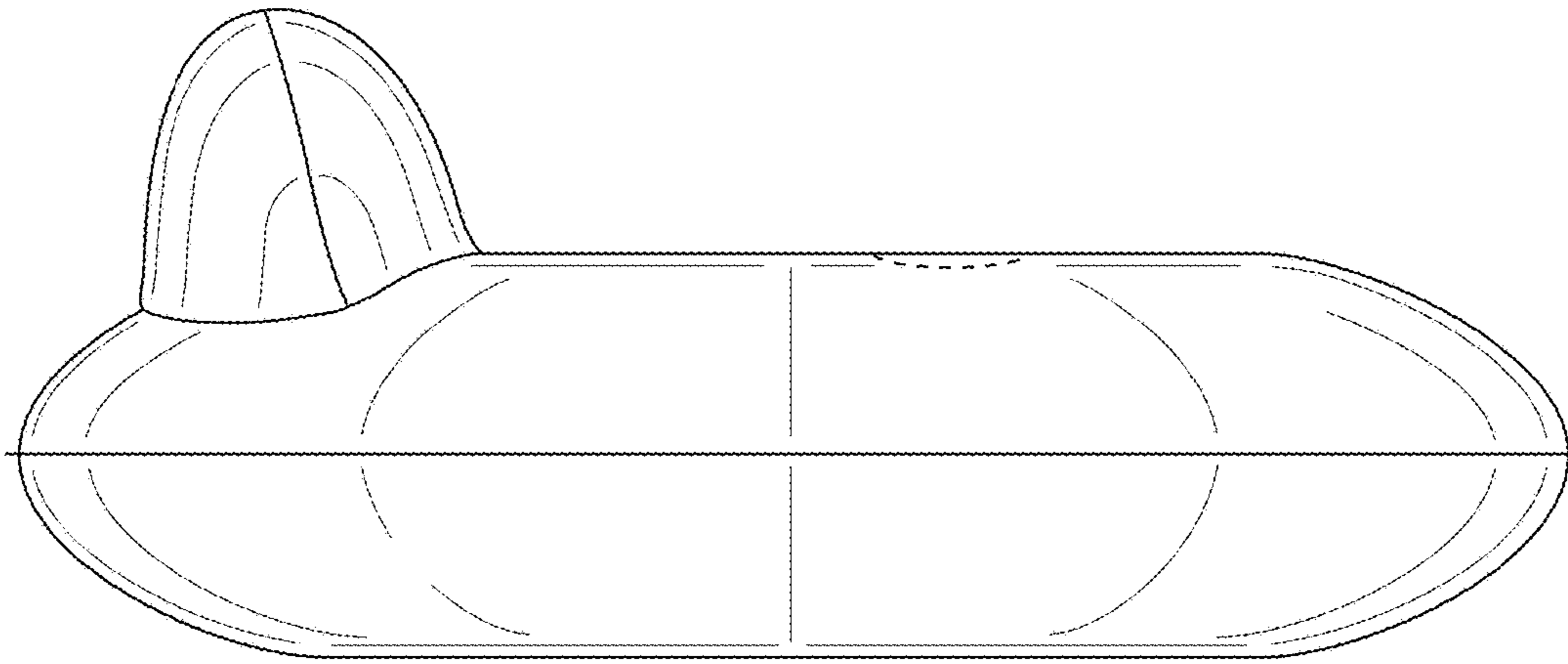


FIG.12

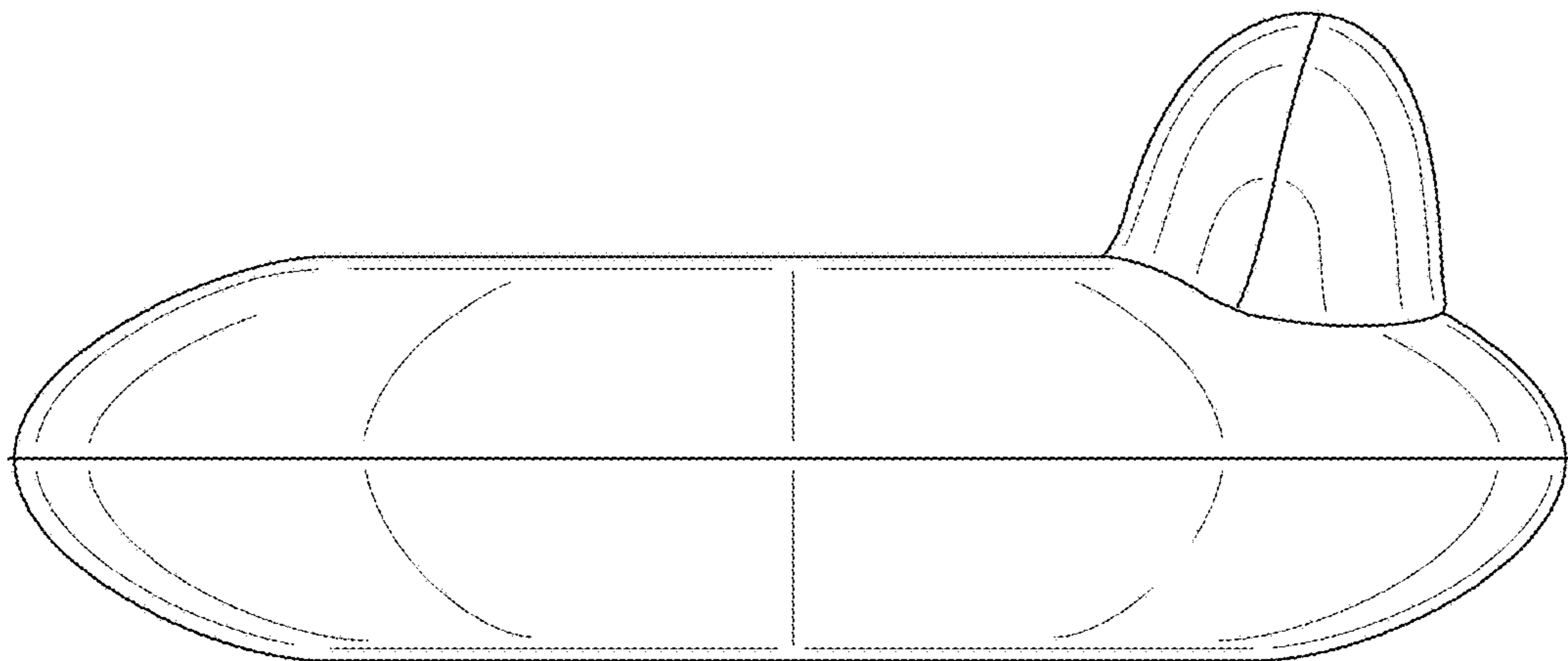


FIG.13

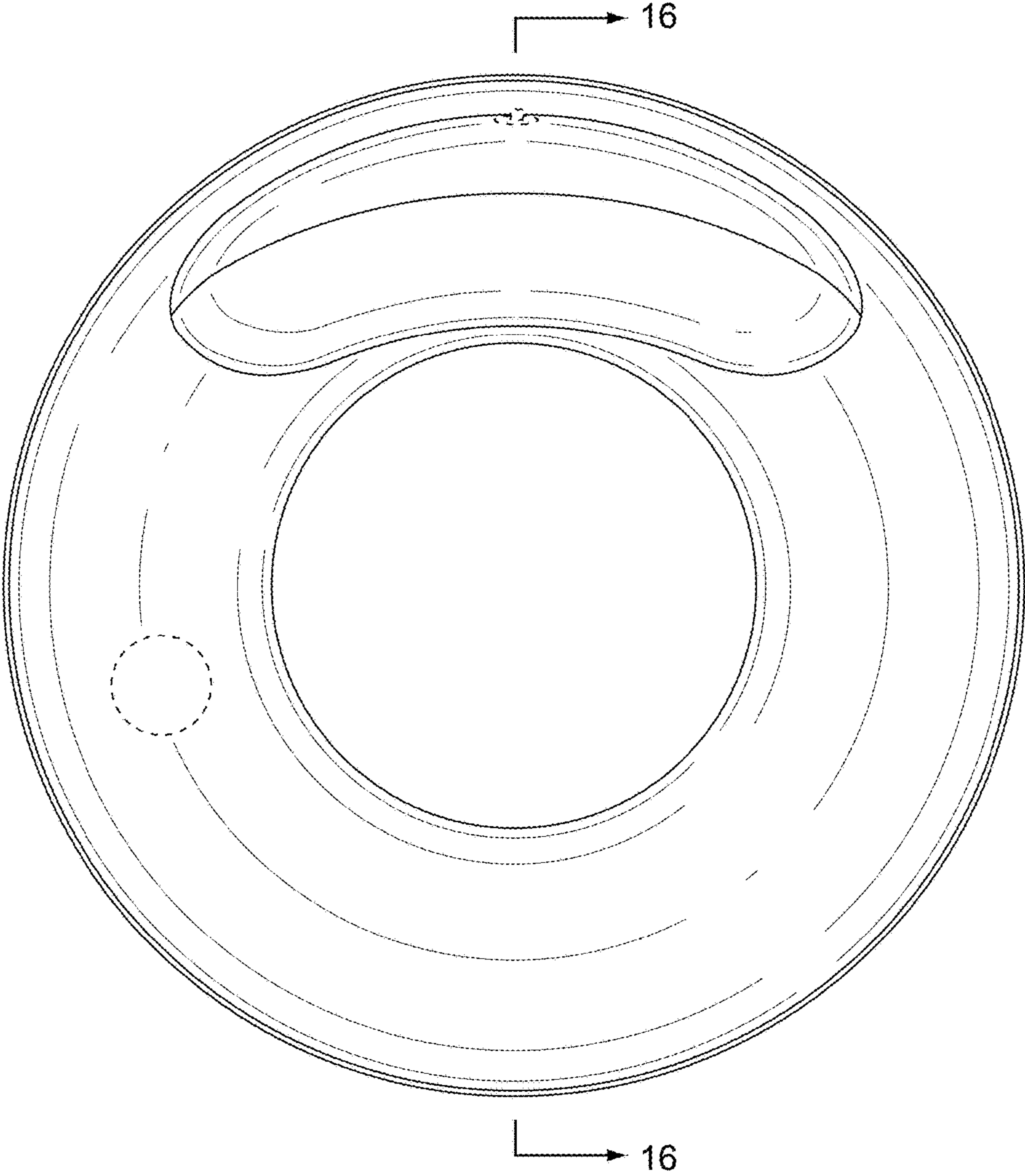


FIG.14

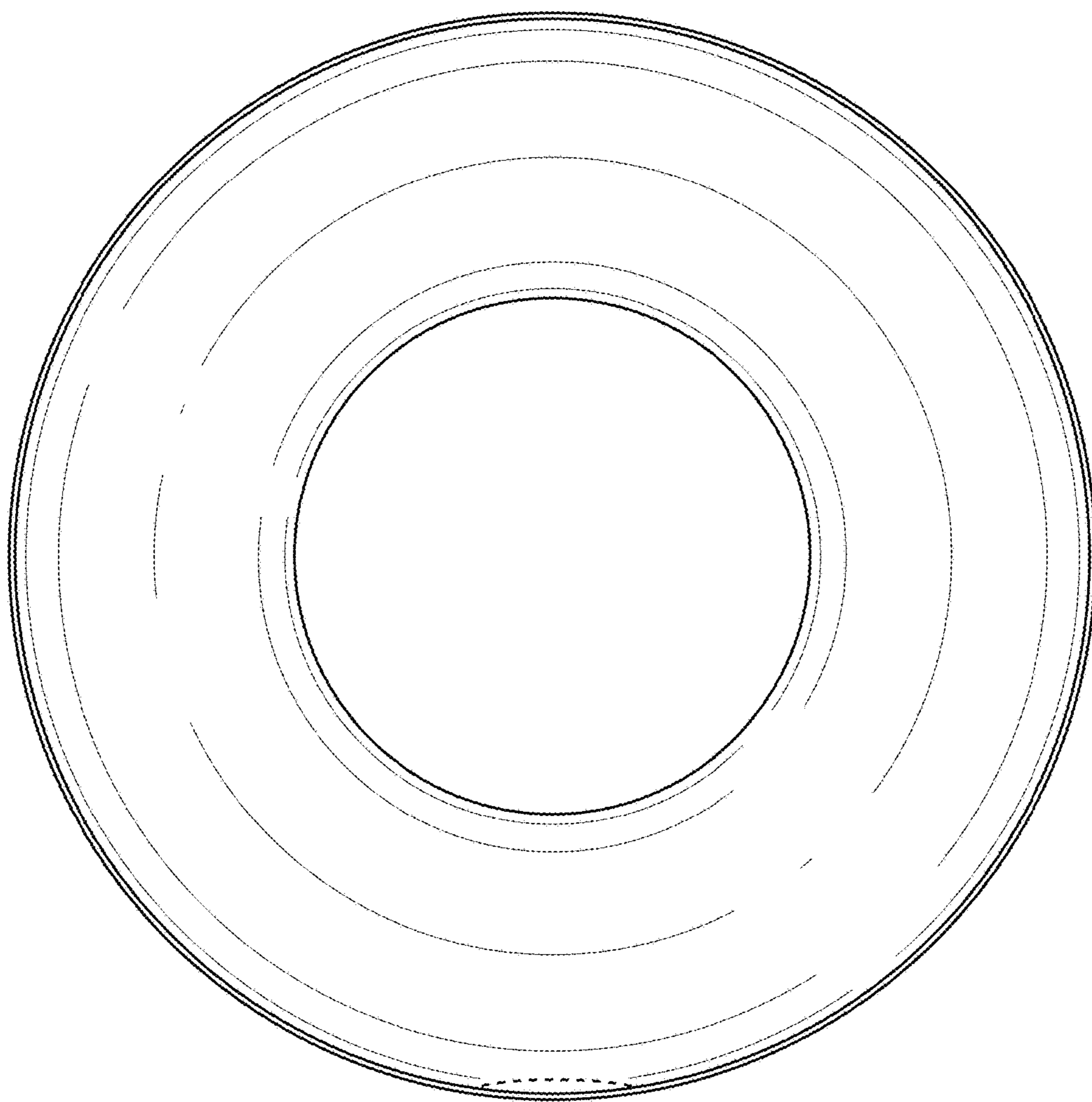


FIG.15

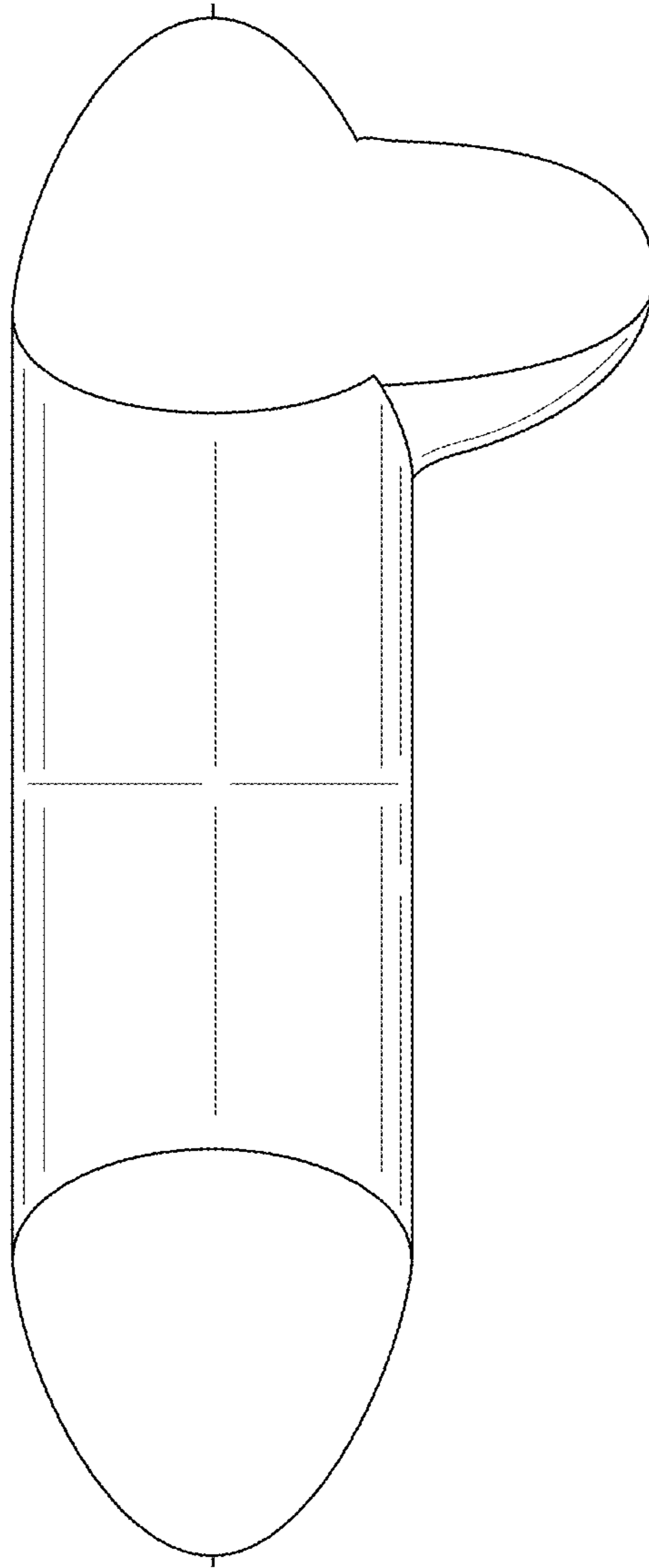


FIG.16