



US00D846676S

(12) **United States Design Patent**
Cheung

(10) **Patent No.:** **US D846,676 S**

(45) **Date of Patent:** **** *Apr. 23, 2019**

(54) **FIN BOX**

(71) Applicant: **Wah Kan Cheung**, Richmond Hill
(CA)

(72) Inventor: **Wah Kan Cheung**, Richmond Hill
(CA)

(*) Notice: This patent is subject to a terminal disclaimer.

(**) Term: **15 Years**

(21) Appl. No.: **29/570,640**

(22) Filed: **Jul. 11, 2016**

(51) **LOC (11) Cl.** **21-02**

(52) **U.S. Cl.**
USPC **D21/769**

(58) **Field of Classification Search**
USPC D21/684-685, 760-761, 765-766,
D21/768-778

CPC B63B 35/73; B63B 35/79; B63B 35/793;
B63B 1/00

See application file for complete search history.

(56) **References Cited**

U.S. PATENT DOCUMENTS

6,793,548 B2 * 9/2004 Jolly B63B 35/793
441/79
7,025,645 B1 * 4/2006 Hsieh B63B 35/793
441/79

7,285,031 B2 * 10/2007 Mair B63B 35/793
114/140

D621,464 S * 8/2010 Durante D21/771

D635,630 S * 4/2011 Durante D21/771

D663,000 S * 7/2012 Trotter D21/771

D746,930 S * 1/2016 Durante D21/778

* cited by examiner

Primary Examiner — Zenia I Bennett

(74) *Attorney, Agent, or Firm* — Clement Cheng

(57) **CLAIM**

The ornamental design for a fin box, as shown and described.

DESCRIPTION

FIG. 1 is a perspective view.

FIG. 2 is a front view.

FIG. 3 is a rear view.

FIG. 4 is a left side view.

FIG. 5 is a right side view.

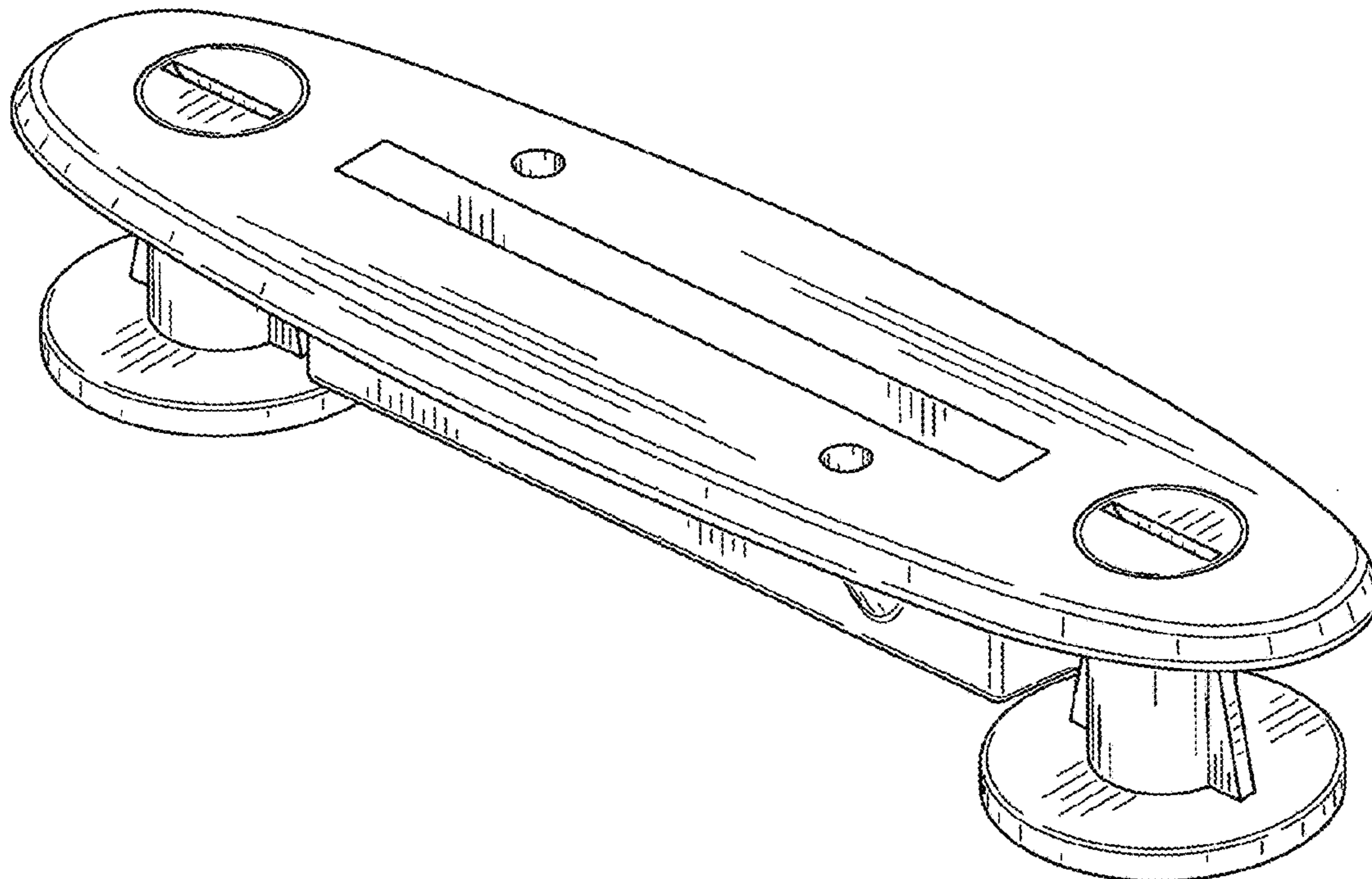
FIG. 6 is a top view.

FIG. 7 is a bottom view; and,

FIG. 8 is a lower perspective view.

The dotted line in the drawing forms no part of the claimed invention.

1 Claim, 5 Drawing Sheets



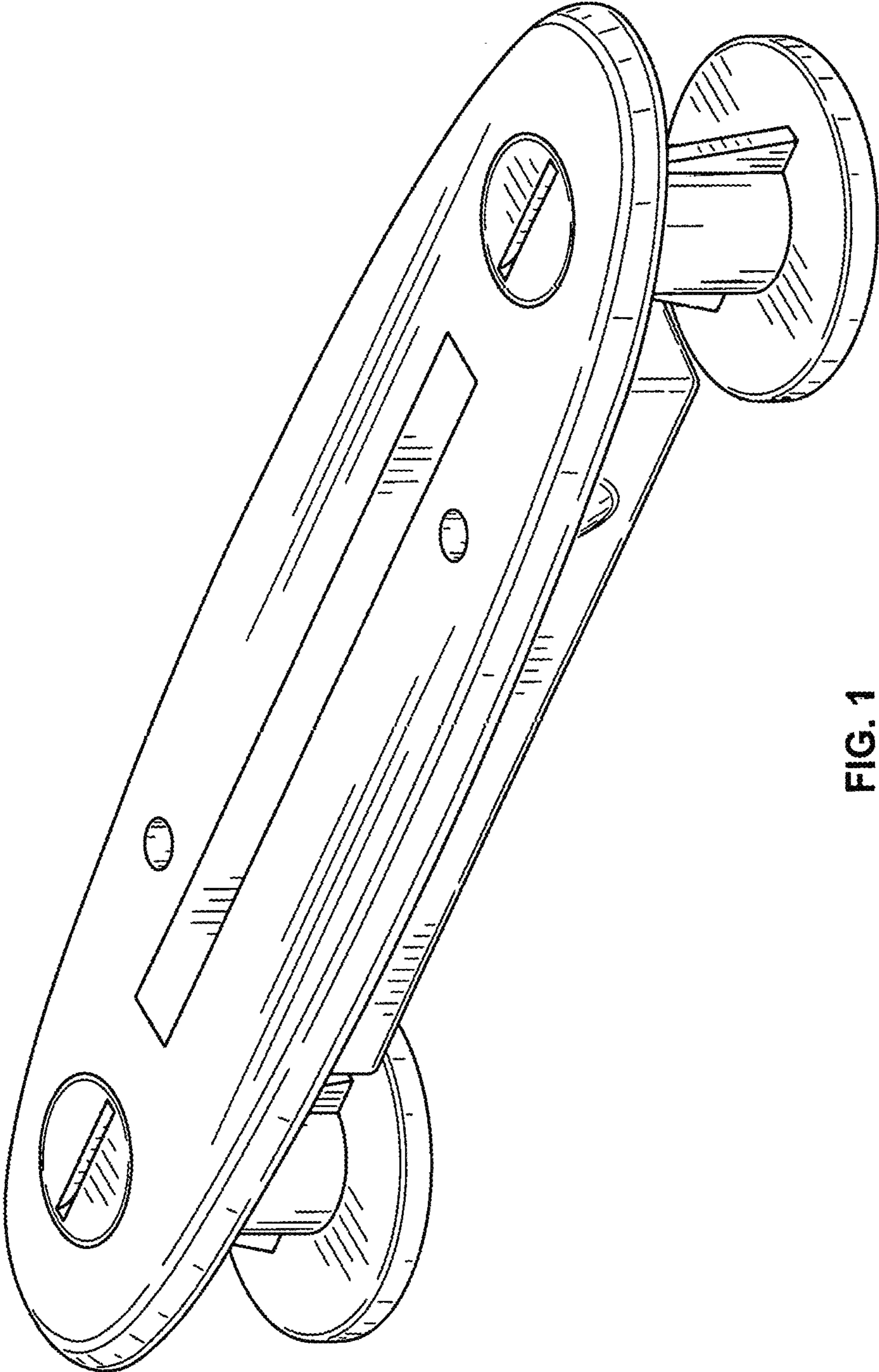


FIG. 1

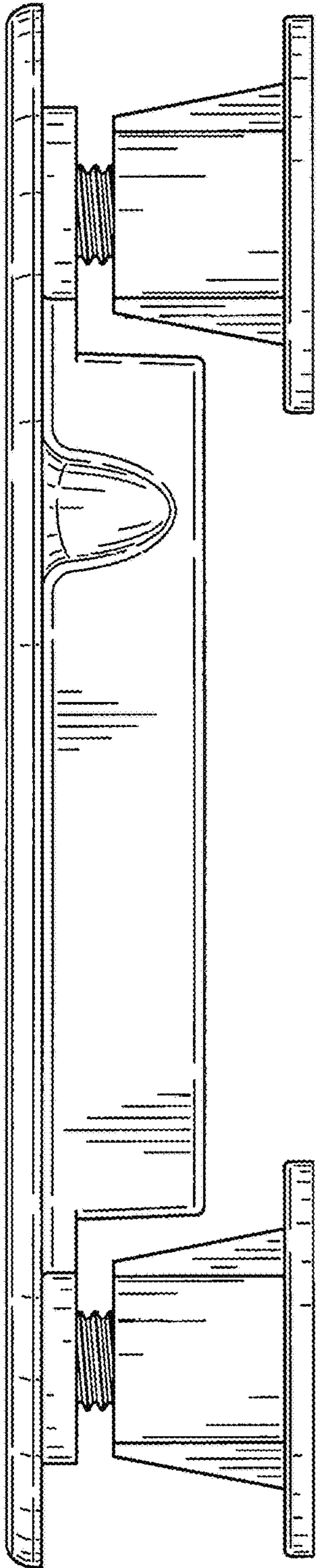


FIG. 2

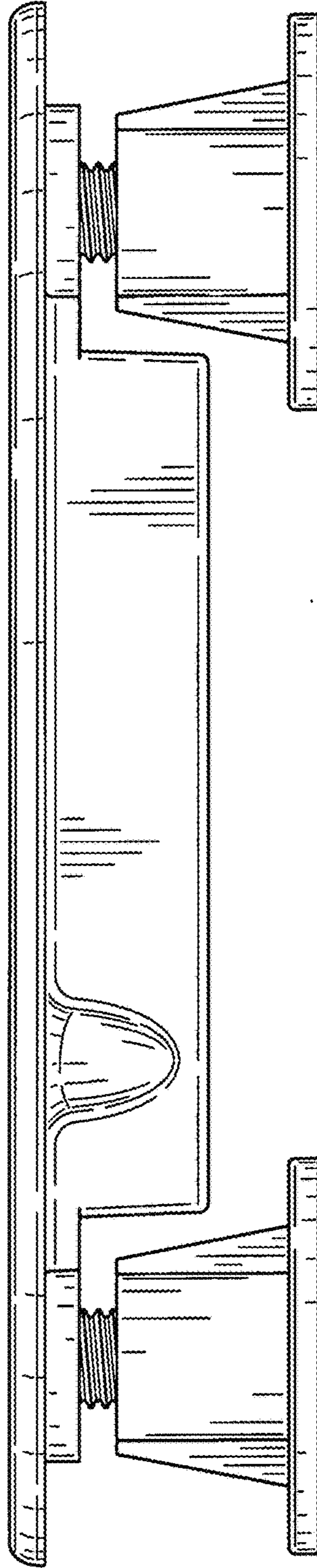


FIG. 3

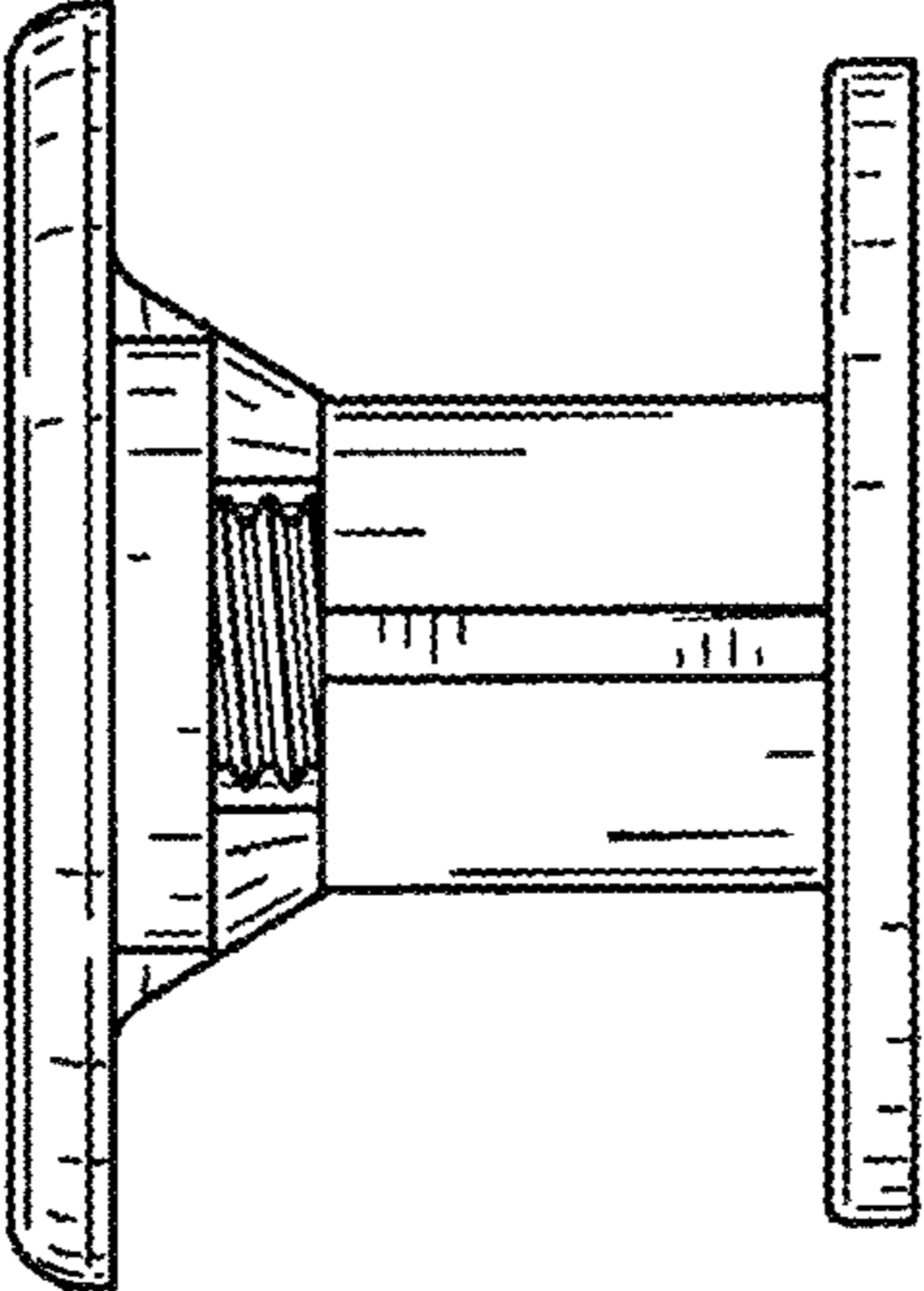


FIG. 5

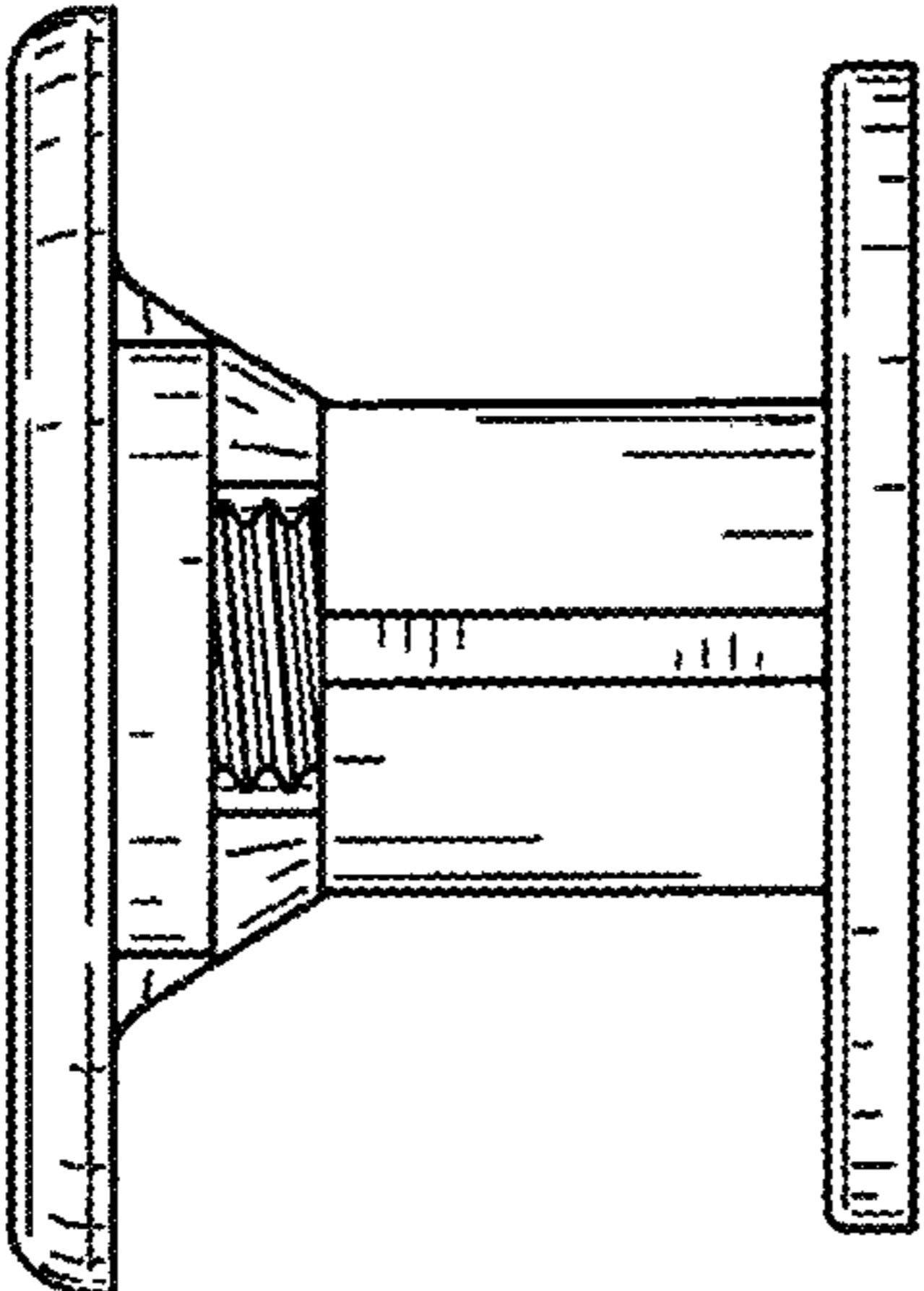


FIG. 4

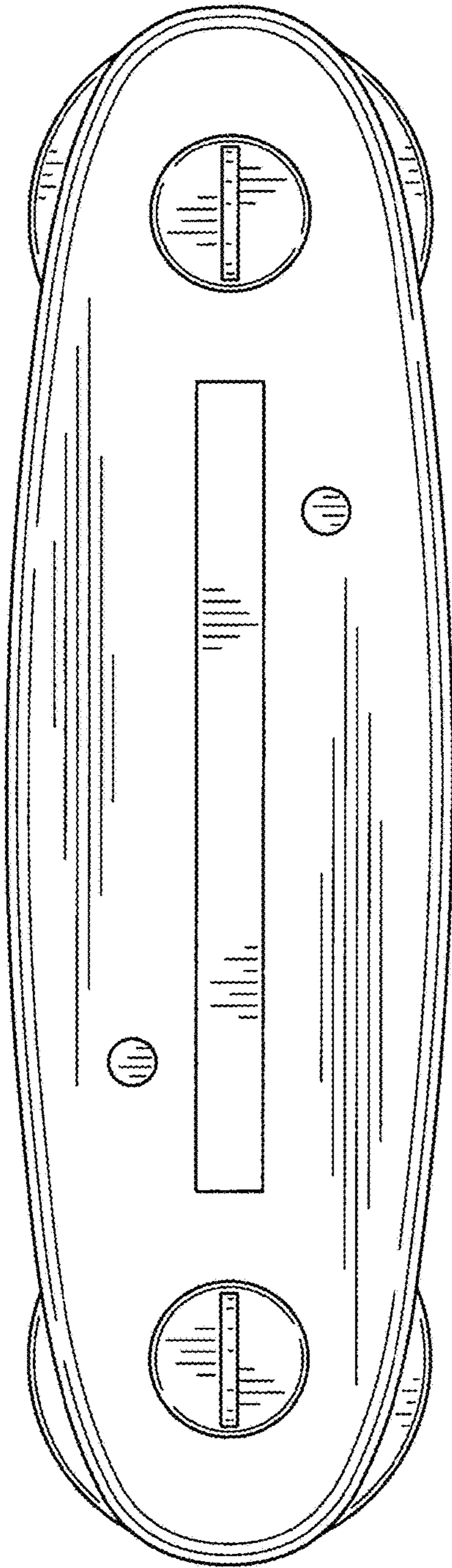


FIG. 6

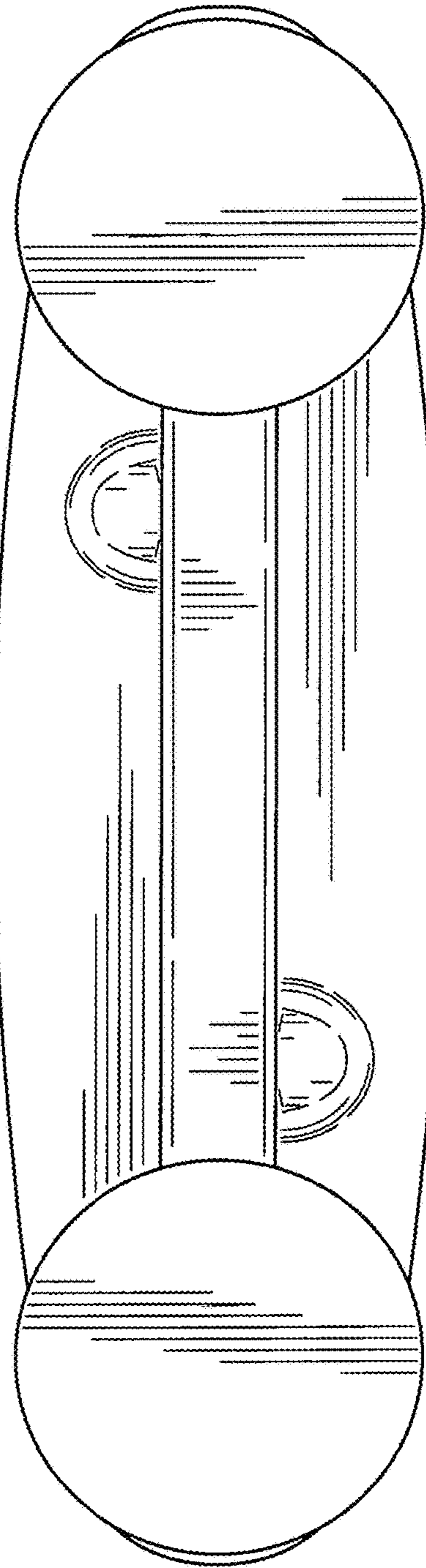


FIG. 7

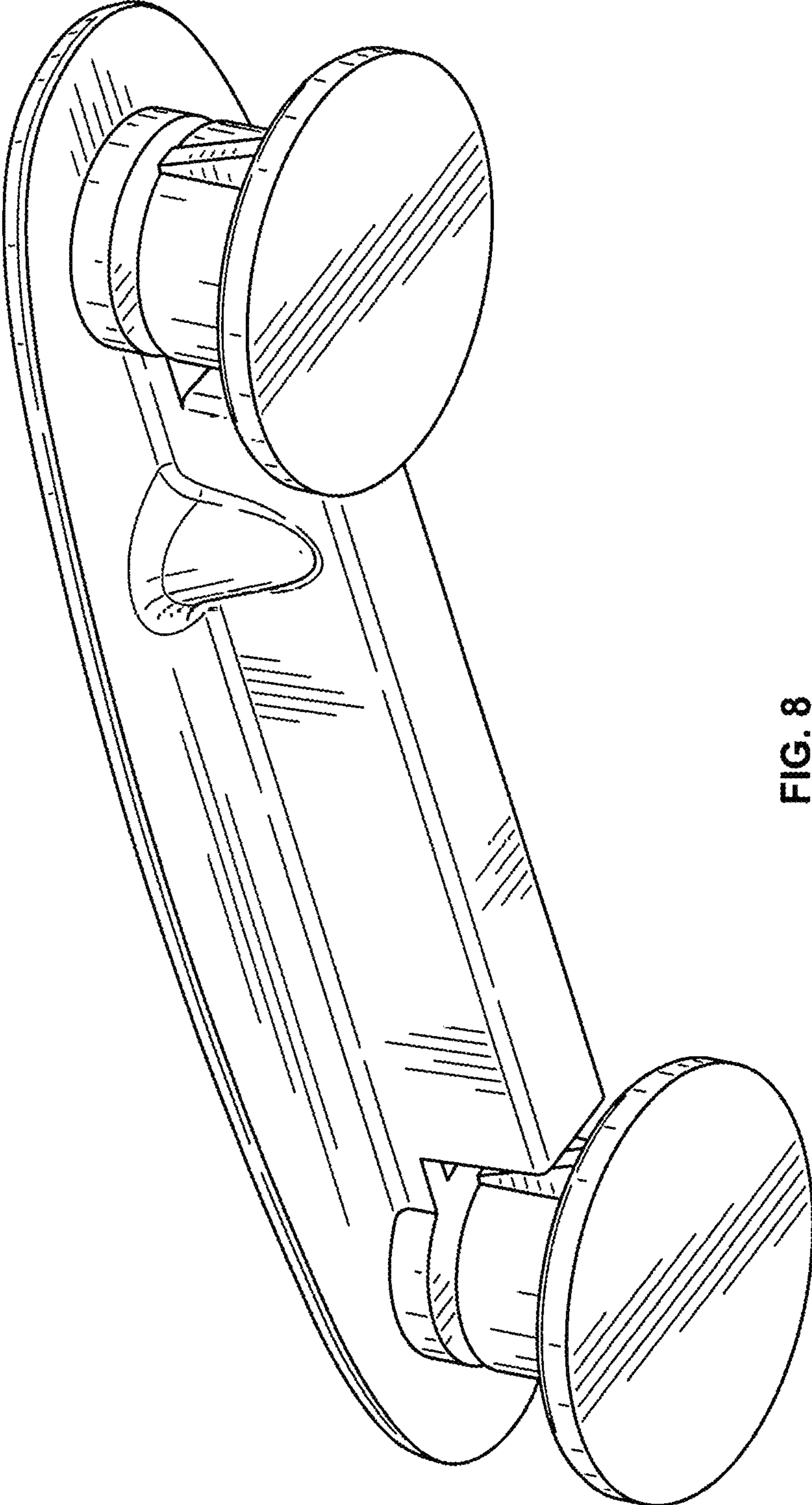


FIG. 8