



US00D846675S

(12) **United States Design Patent**  
**Ma**

(10) **Patent No.:** **US D846,675 S**  
(45) **Date of Patent:** **\*\* Apr. 23, 2019**

- (54) **FOOT-DECK BASED VEHICLE**
- (71) Applicant: **KOOFY INNOVATION LIMITED**,  
Central, Sheung Wan (CN)
- (72) Inventor: **Ondy Song Qi Ma**, Hong Kong (CN)
- (73) Assignee: **KOOFY INNOVATION LIMITED**,  
Hong Kong (CN)
- (\*\*) Term: **15 Years**
- (21) Appl. No.: **29/636,683**
- (22) Filed: **Feb. 9, 2018**
- (51) **LOC (11) Cl.** ..... **21-02**
- (52) **U.S. Cl.**  
USPC ..... **D21/765**
- (58) **Field of Classification Search**  
USPC ..... D21/419, 421, 423, 426, 662, 760, 765,  
D21/766, 769, 771, 776, 803  
CPC ..... A63C 17/01; A63C 17/011; A63C 17/012;  
A63C 17/014; A63C 17/015; A63C  
17/02; A63C 17/26; A63C 5/003; B60Q  
1/326  
See application file for complete search history.

- D797,875 S \* 9/2017 Ma ..... D21/760
- D802,693 S \* 11/2017 Lu ..... D21/765
- D815,227 S \* 4/2018 Ma ..... D21/765
- D815,228 S \* 4/2018 Ma ..... D21/765
- D821,517 S \* 6/2018 Doerksen ..... D21/765
- 10,010,784 B1 \* 7/2018 Doerksen ..... A63C 17/0046
- D827,747 S \* 9/2018 Ma ..... D21/765

\* cited by examiner

*Primary Examiner* — Robin V Webster

*Assistant Examiner* — Keith J Wilson

(74) *Attorney, Agent, or Firm* — Millman IP Inc.

(56) **References Cited**

**U.S. PATENT DOCUMENTS**

- D580,132 S \* 11/2008 Lin ..... D2/946
- D785,737 S \* 5/2017 Meak ..... D21/765

(57) **CLAIM**

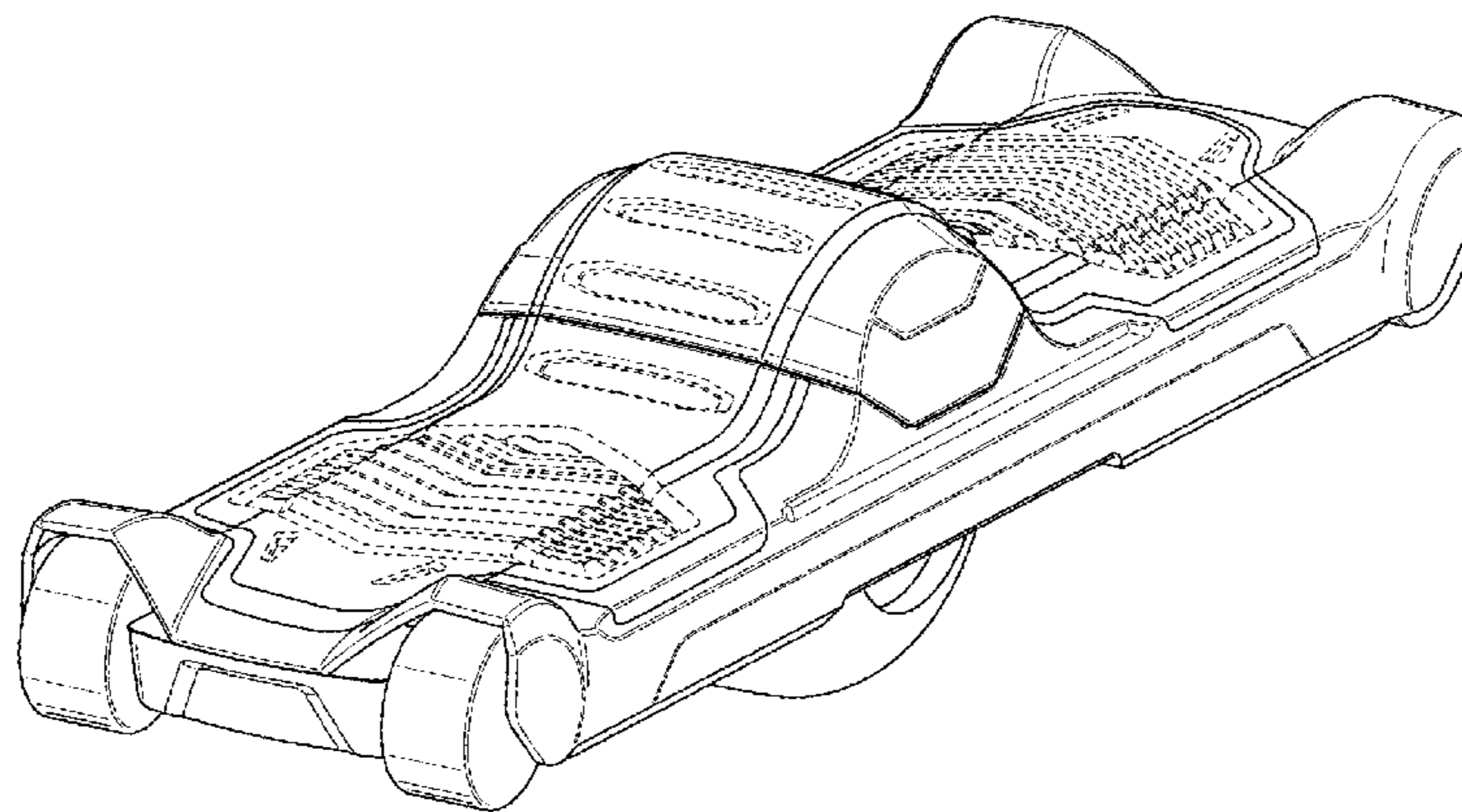
The ornamental design for a foot-deck based vehicle, as shown and described.

**DESCRIPTION**

FIG. 1 is a perspective view from above, to the front and to the left side of a new design for a foot-deck based vehicle; FIG. 2 is a top plan view thereof; FIG. 3 is a bottom plan view thereof; FIG. 4 is a right side elevation view thereof; FIG. 5 is a left side elevation view thereof; FIG. 6 is a front elevation view thereof; and, FIG. 7 is a rear elevation view thereof.

The broken lines shown in the drawings are for illustration only and form no part of the claimed design.

**1 Claim, 4 Drawing Sheets**



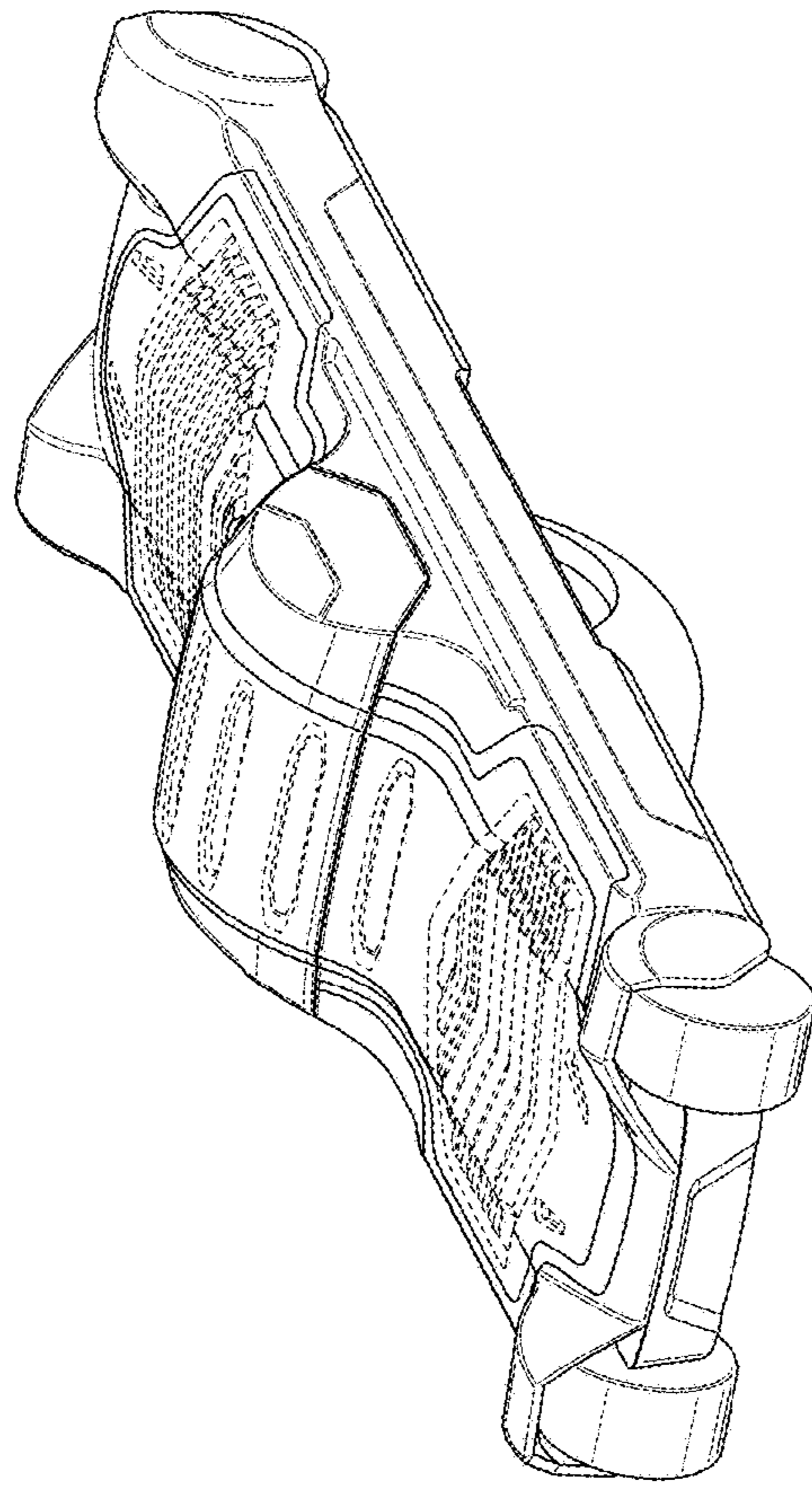


FIG. 1

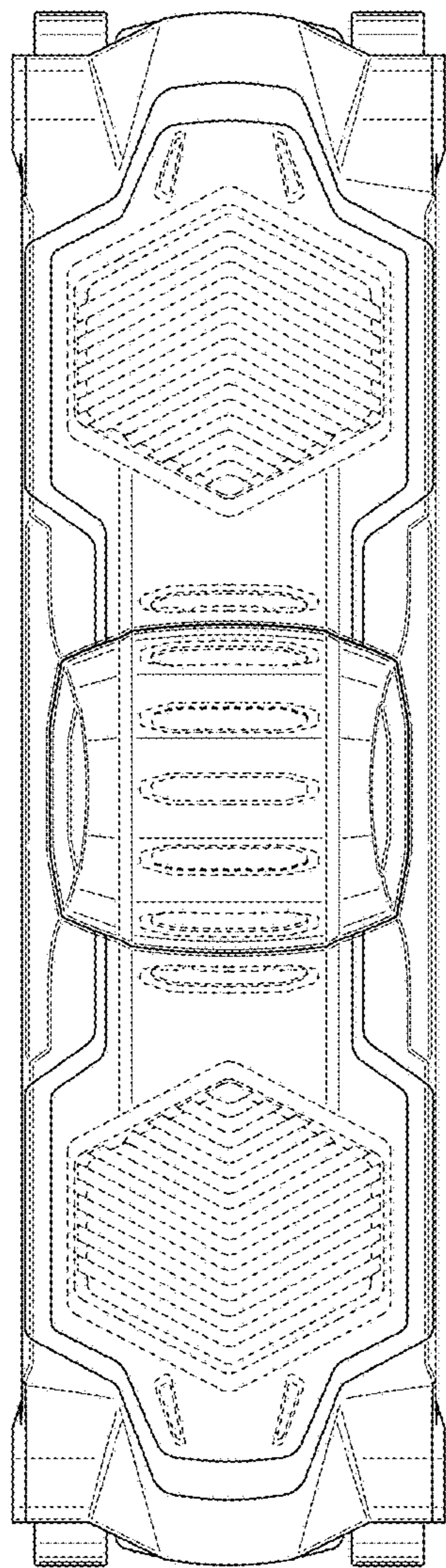


FIG. 2

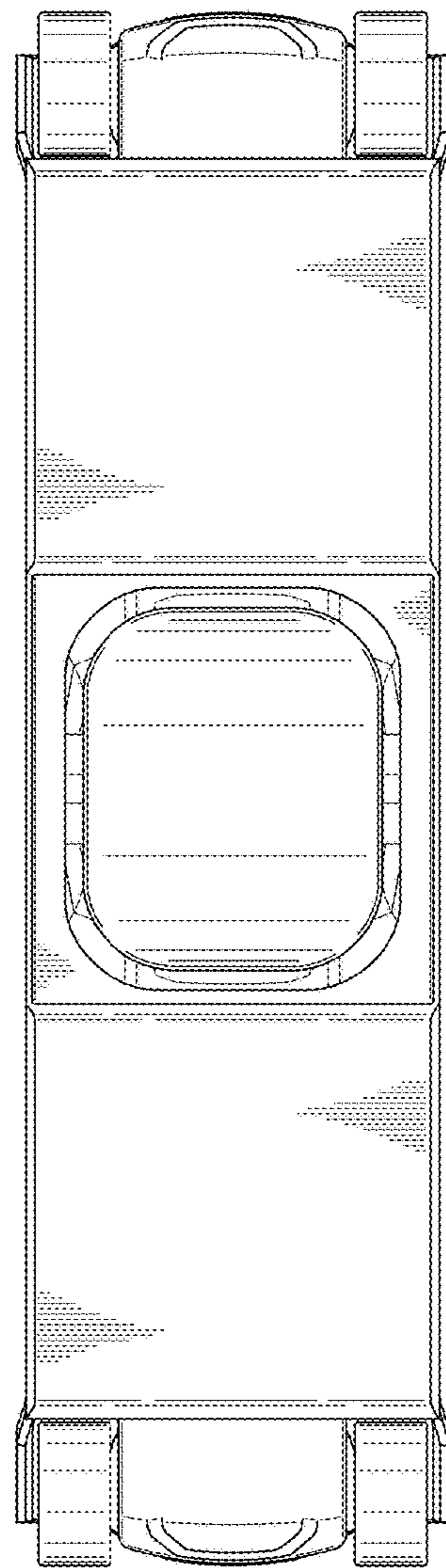
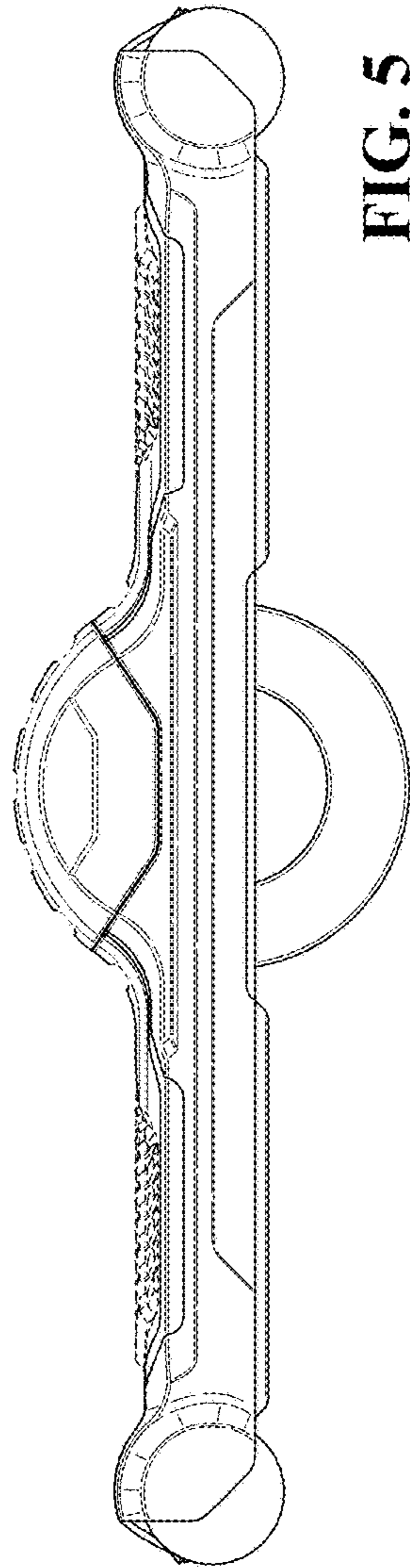
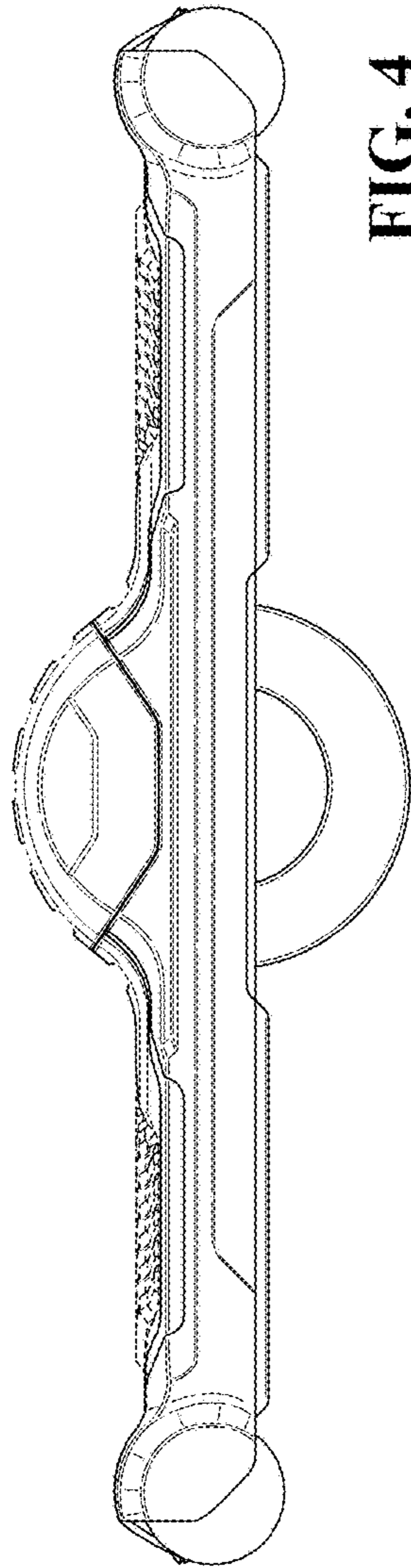


FIG. 3





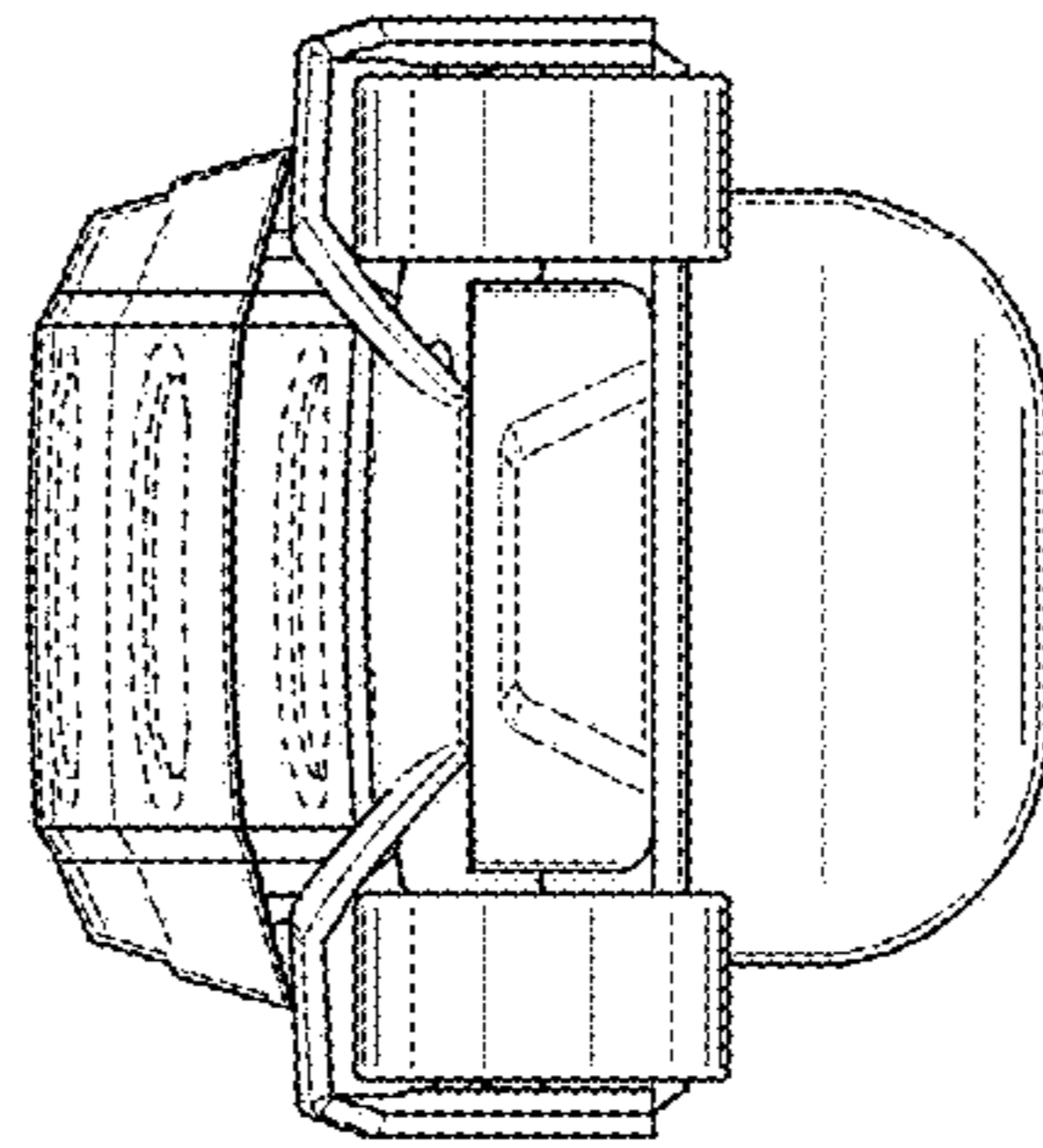


FIG. 7

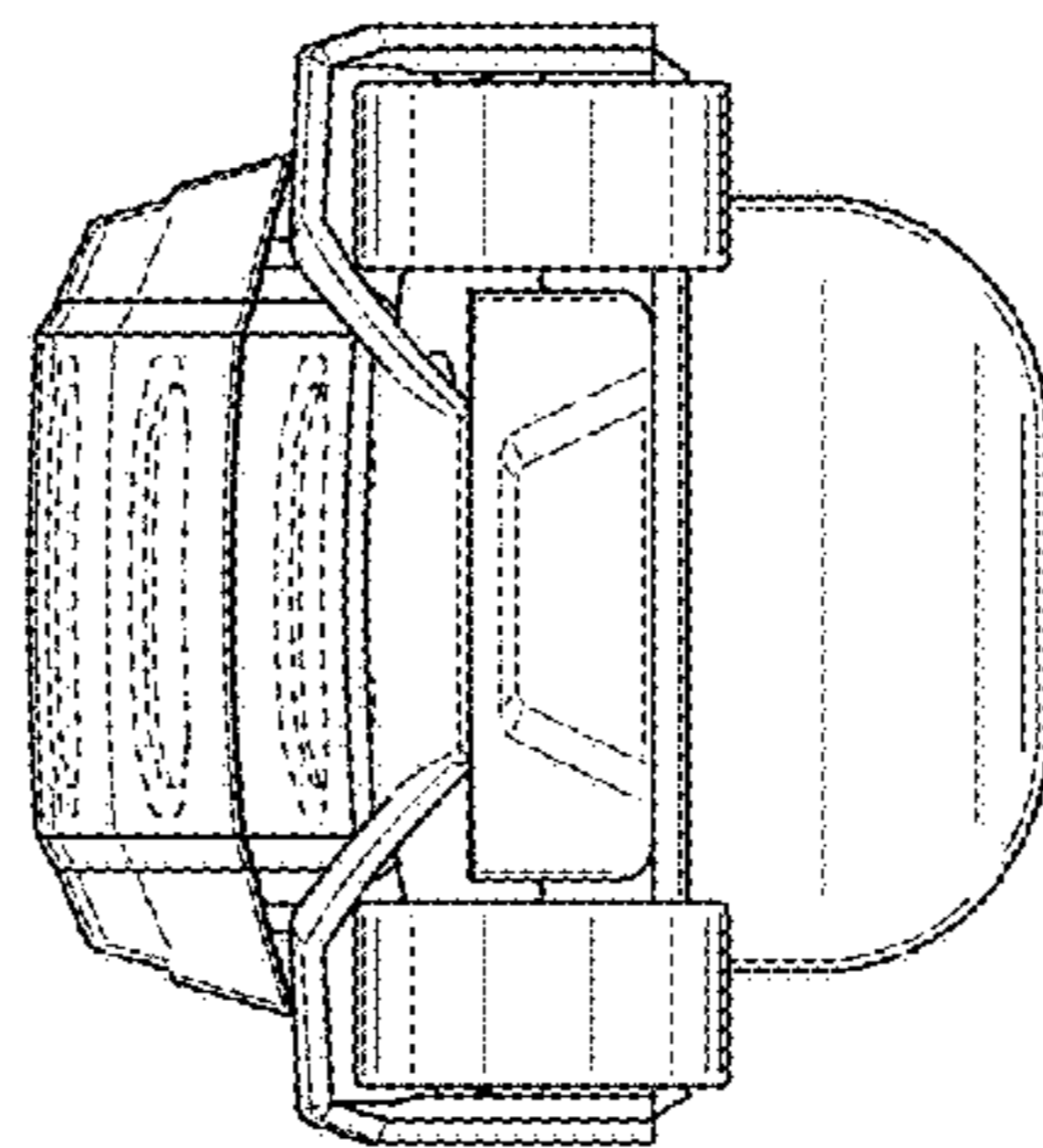


FIG. 6