



US00D846661S

(12) **United States Design Patent** (10) **Patent No.:** **US D846,661 S**
Lin (45) **Date of Patent:** **** Apr. 23, 2019**

(54) **REMOTE CONTROL SHIP**
(71) Applicant: **SHANTOU SKYTECH TECHNOLOGY INDUSTRIAL INC.,**
Shantou (CN)
(72) Inventor: **Yuan Xiong Lin,** Shantou (CN)
(73) Assignee: **SHANTOU SKYTECH TECHNOLOGY INDUSTRIAL INC.,**
Shantou (CN)
(**) Term: **15 Years**
(21) Appl. No.: **29/635,408**
(22) Filed: **Jan. 31, 2018**
(51) **LOC (11) Cl.** **21-01**
(52) **U.S. Cl.**
USPC **D21/542; D21/549**
(58) **Field of Classification Search**
USPC D12/300, 301, 302, 311, 313, 314;
D21/424, 549, 542
CPC B63B 17/00; B63B 17/02; B63B 35/81;
B63B 35/816
See application file for complete search history.

D540,889 S * 4/2007 Yuen D12/314
D563,860 S * 3/2008 Roberts D12/300
D586,719 S * 2/2009 Morris D12/300
D686,559 S * 7/2013 Mannerfelt D12/314
D700,128 S * 2/2014 Reynolds, Jr. D12/302
D700,567 S * 3/2014 Scism D12/311
D721,319 S * 1/2015 Kristinsson D12/300
D770,964 S * 11/2016 Wagener D12/300
D802,515 S * 11/2017 Yi D12/300

* cited by examiner

Primary Examiner — Robin V Webster
Assistant Examiner — Keith J Wilson
(74) *Attorney, Agent, or Firm* — Ming Chow; Sinorica, LLC

(57) **CLAIM**

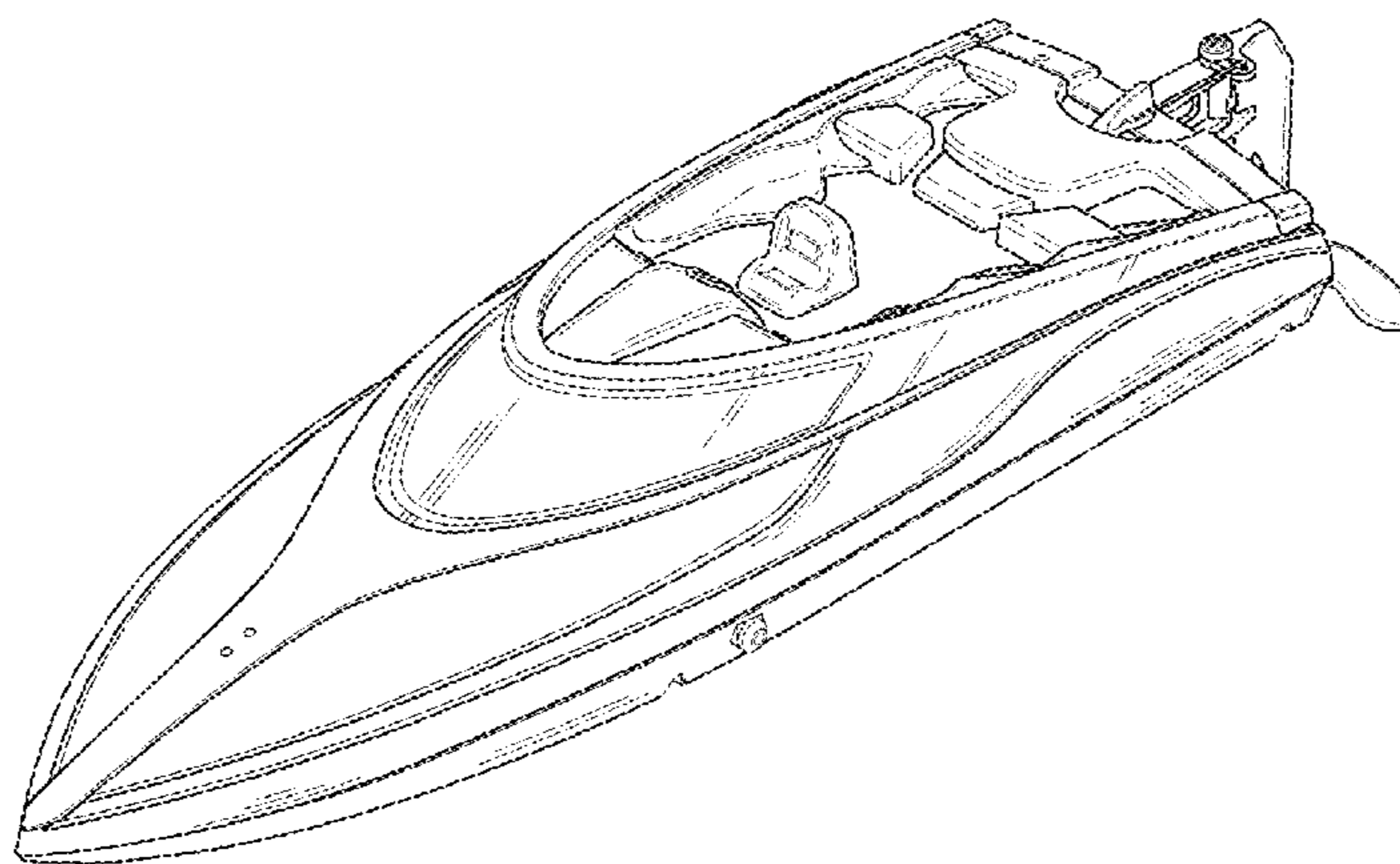
The ornamental design for a remote control ship, as shown and described.

DESCRIPTION

FIG. 1 is a perspective view of the remote control ship showing my new design;
FIG. 2 is a front elevation view thereof;
FIG. 3 is a rear elevation view thereof;
FIG. 4 is a left side elevation view thereof;
FIG. 5 is a right side elevation view thereof;
FIG. 6 is a top plan view thereof; and,
FIG. 7 is a bottom plan view thereof.
The hole sites in broken lines of FIG. 1, 4, 5, and 7 are for illustrative purpose only and are not part of the claimed design.

1 Claim, 7 Drawing Sheets

(56) **References Cited**
U.S. PATENT DOCUMENTS
D325,721 S * 4/1992 Ollier D12/300
D374,852 S * 10/1996 Mannerfelt D12/313
D477,039 S * 7/2003 Bao D21/542
D497,652 S * 10/2004 Chiu D21/542
D505,458 S * 5/2005 Wei D21/542
D508,962 S * 8/2005 Sapir D21/542



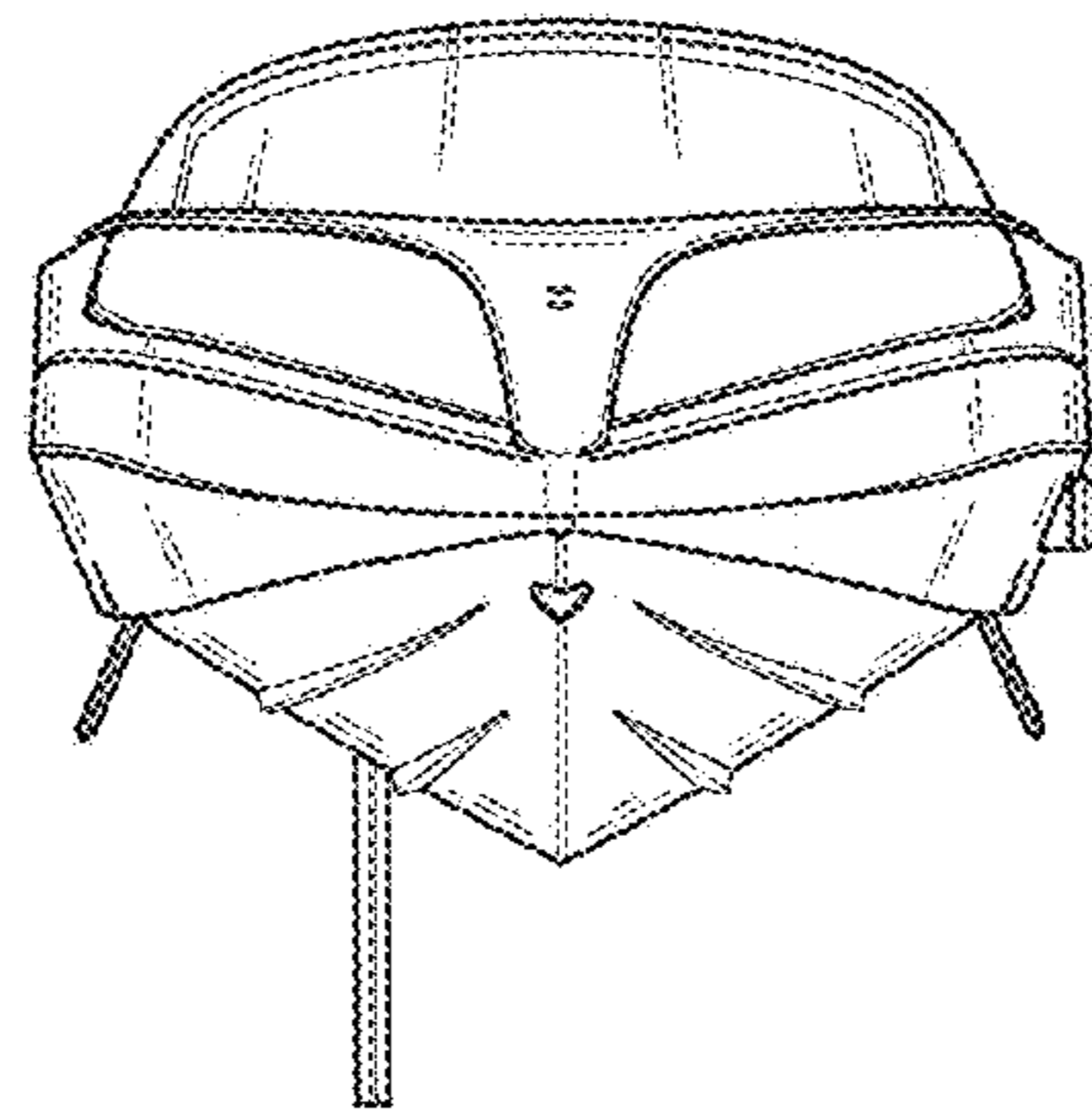


FIG.2

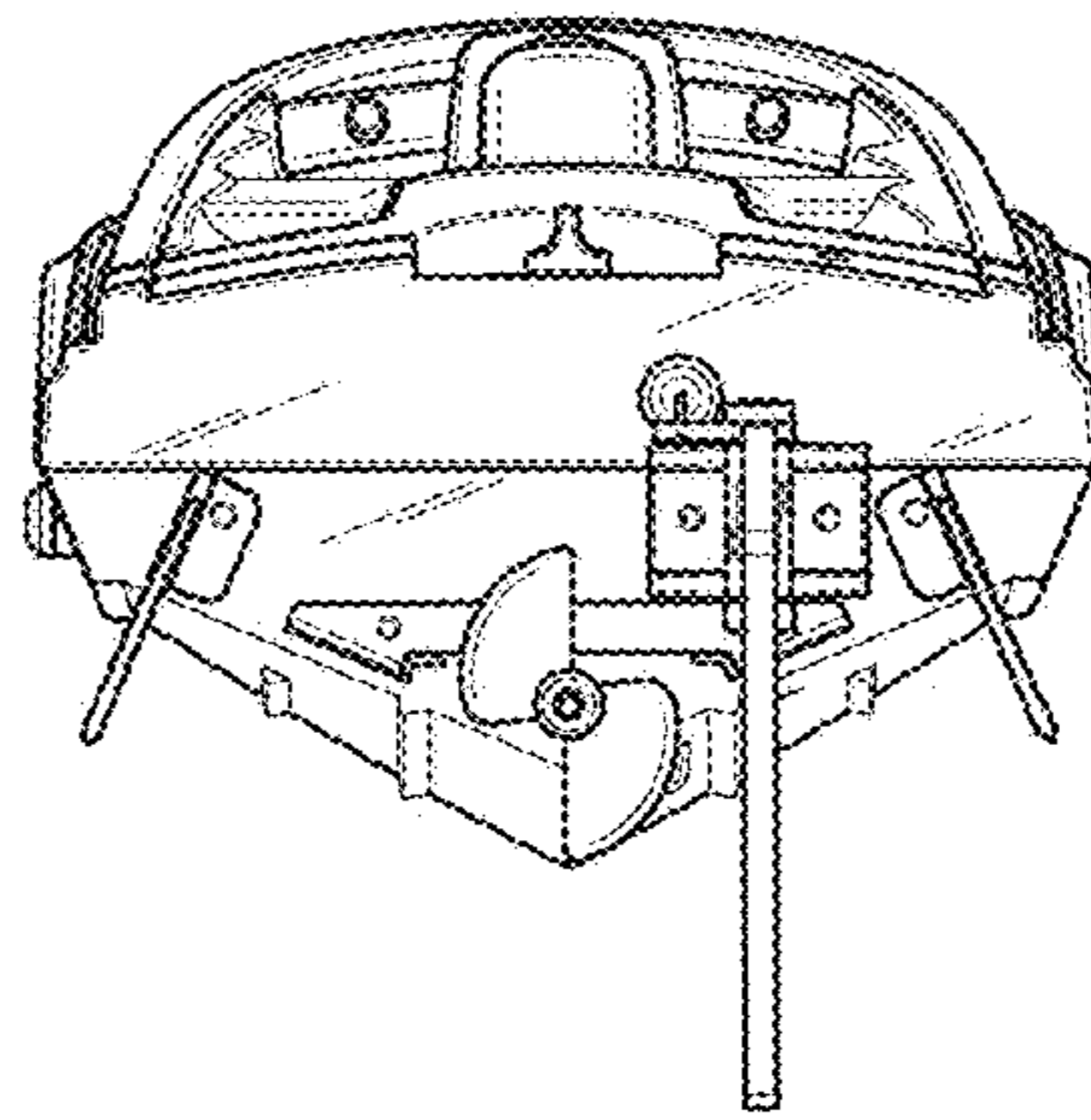


FIG.3

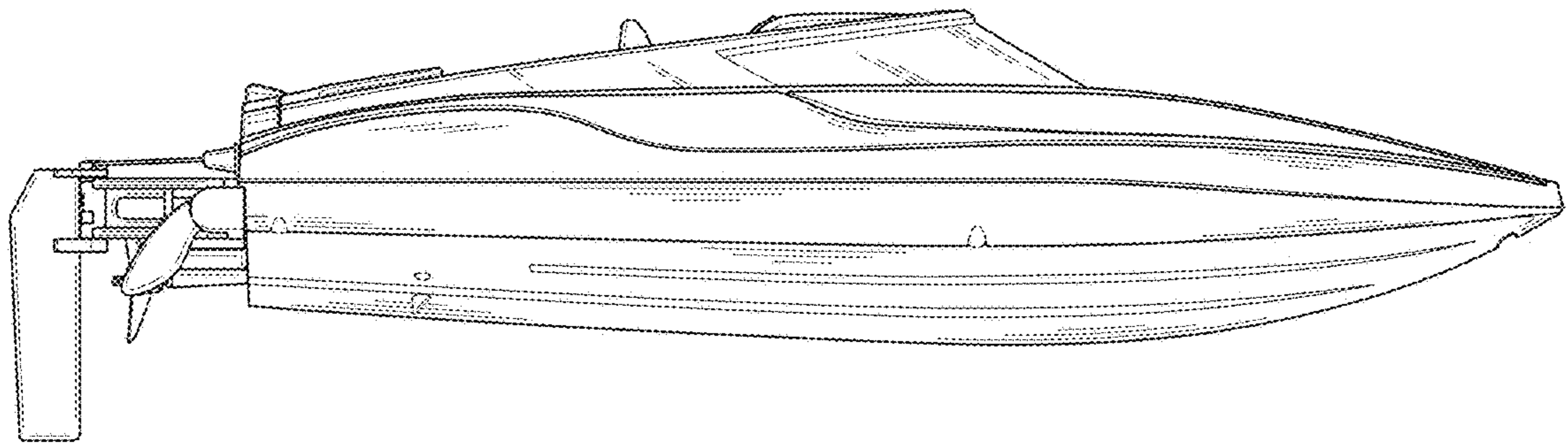


FIG.4

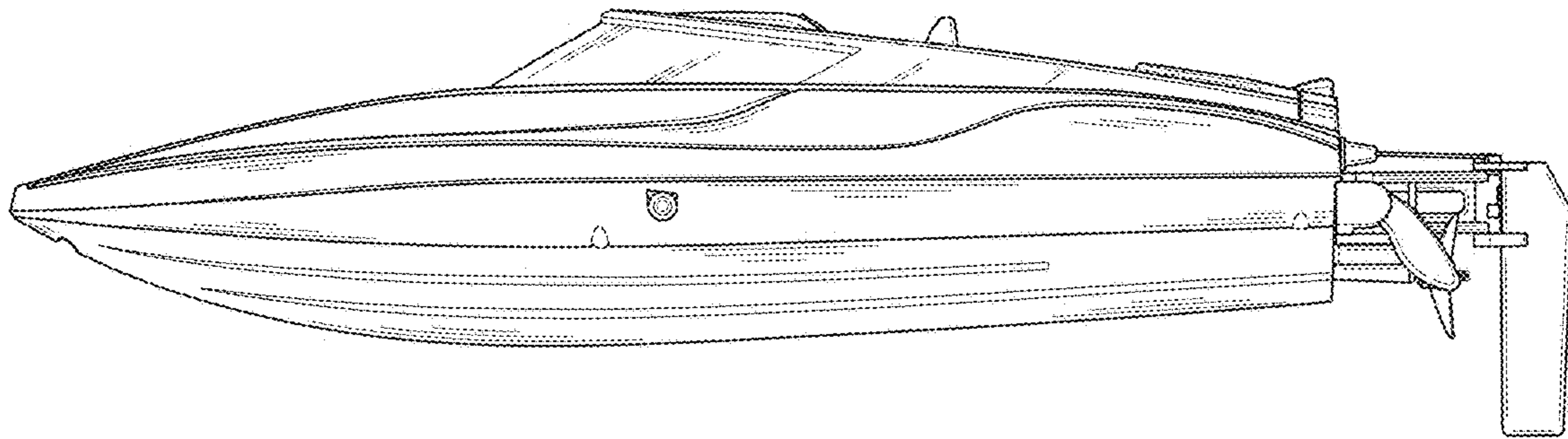


FIG.5

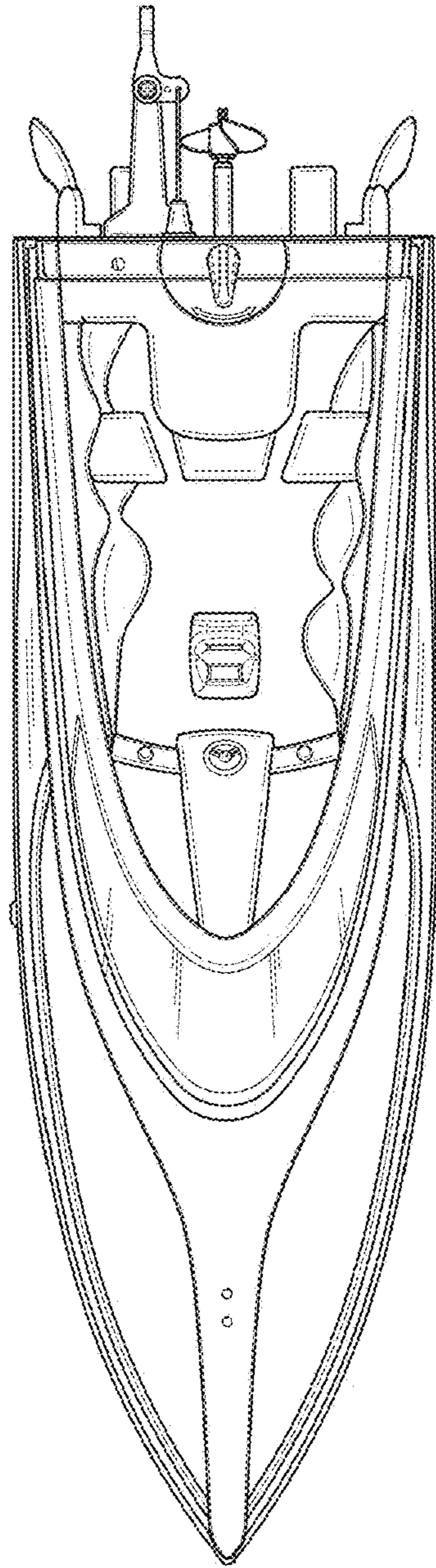


FIG.6

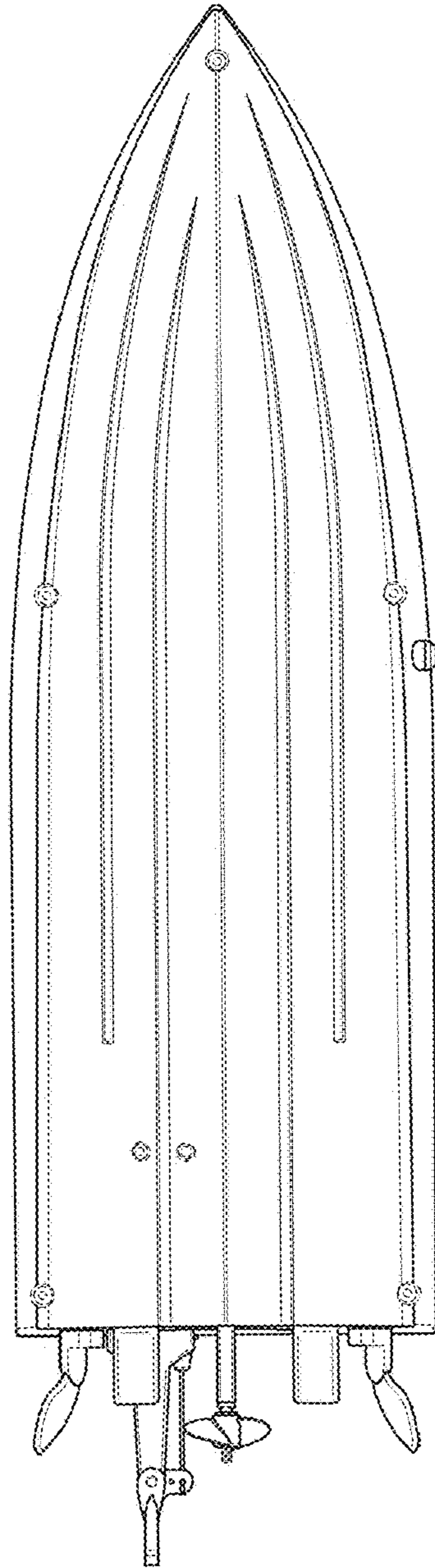


FIG.7