



US00D846660S

(12) **United States Design Patent** (10) **Patent No.:** **US D846,660 S**  
**Lin** (45) **Date of Patent:** **\*\* Apr. 23, 2019**

(54) **REMOTE CONTROL SHIP**  
(71) Applicant: **SHANTOU SKYTECH TECHNOLOGY INDUSTRIAL INC.,**  
Shantou (CN)  
(72) Inventor: **Yuan Xiong Lin, Shantou (CN)**  
(73) Assignee: **SHANTOU SKYTECH TECHNOLOGY INDUSTRIAL INC.,**  
Shantou (CN)  
(\*\*) Term: **15 Years**  
(21) Appl. No.: **29/635,405**  
(22) Filed: **Jan. 31, 2018**  
(51) **LOC (11) Cl.** ..... **21-01**  
(52) **U.S. Cl.**  
USPC ..... **D21/542; D21/549**  
(58) **Field of Classification Search**  
USPC ..... D12/300, 301, 302, 311, 313, 314;  
D21/424, 549, 542  
CPC ..... B63B 17/00; B63B 17/02; B63B 35/81;  
B63B 35/816  
See application file for complete search history.

D540,889 S \* 4/2007 Yuen ..... D12/314  
D563,860 S \* 3/2008 Roberts ..... D12/300  
D586,719 S \* 2/2009 Morris ..... D12/300  
D686,559 S \* 7/2013 Mannerfelt ..... D12/314  
D700,128 S \* 2/2014 Reynolds, Jr. .... D12/302  
D700,567 S \* 3/2014 Scism ..... D12/311  
D721,319 S \* 1/2015 Kristinsson ..... D12/300  
D770,964 S \* 11/2016 Wagener ..... D12/300  
D802,515 S \* 11/2017 Yi ..... D12/300

\* cited by examiner

*Primary Examiner* — Robin V Webster  
*Assistant Examiner* — Keith J Wilson  
(74) *Attorney, Agent, or Firm* — Ming Chow; Sinorica, LLC

(57) **CLAIM**

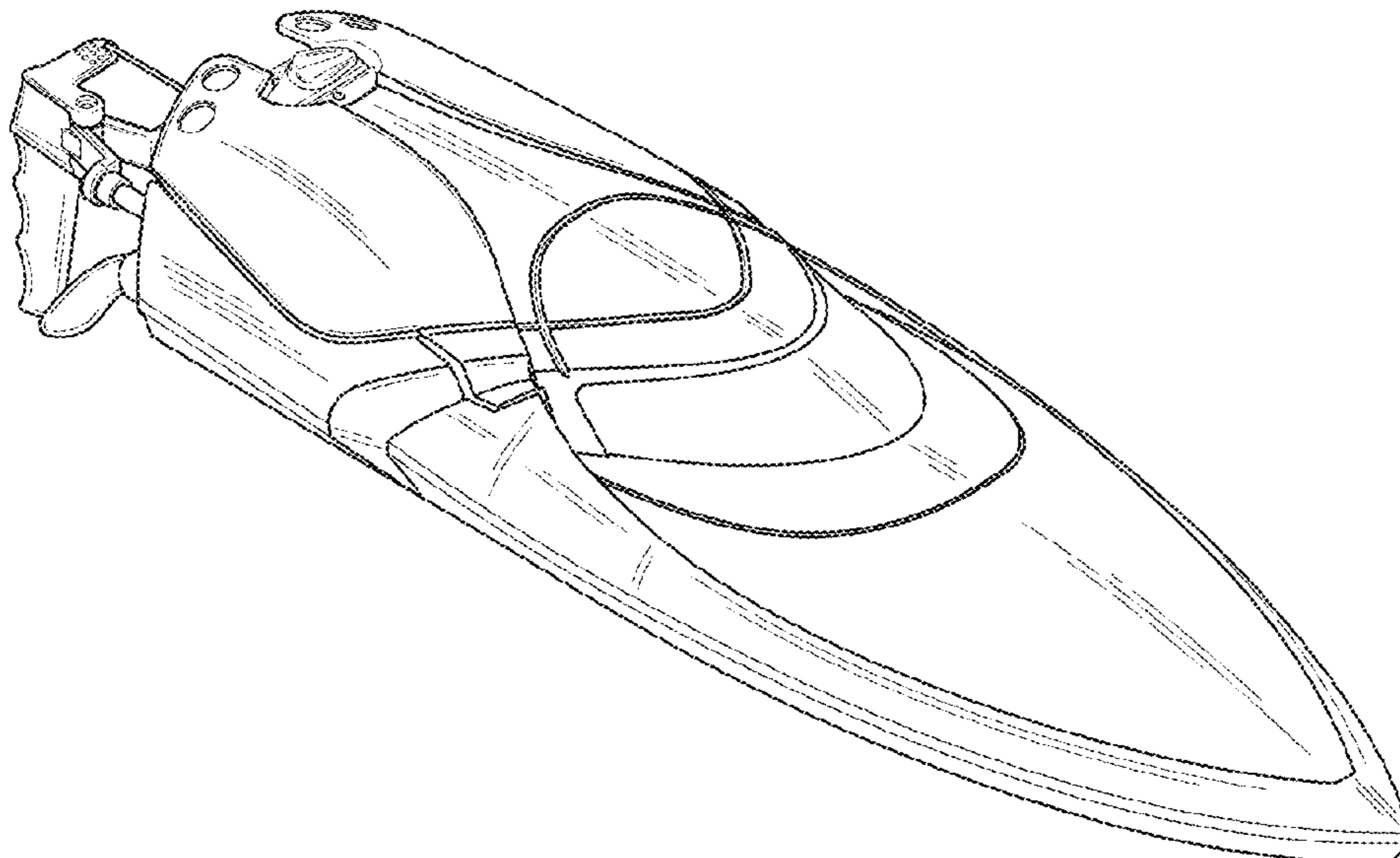
The ornamental design for a remote control ship, as shown and described.

**DESCRIPTION**

FIG. 1 is a perspective view of the remote control ship showing my new design;  
FIG. 2 is a front elevation view thereof;  
FIG. 3 is a rear elevation view thereof;  
FIG. 4 is a left side elevation view thereof;  
FIG. 5 is a right side elevation view thereof;  
FIG. 6 is a top plan view thereof; and,  
FIG. 7 is a bottom plan view thereof.  
The hole sites in broken lines of FIGS. 4, 5, and 7 are for illustrative purpose only and are not part of the claimed design.

**1 Claim, 7 Drawing Sheets**

(56) **References Cited**  
U.S. PATENT DOCUMENTS  
D325,721 S \* 4/1992 Ollier ..... D12/300  
D374,852 S \* 10/1996 Mannerfelt ..... D12/313  
D477,039 S \* 7/2003 Bao ..... D21/542  
D497,652 S \* 10/2004 Chiu ..... D21/542  
D505,458 S \* 5/2005 Wei ..... D21/542  
D508,962 S \* 8/2005 Sapir ..... D21/542



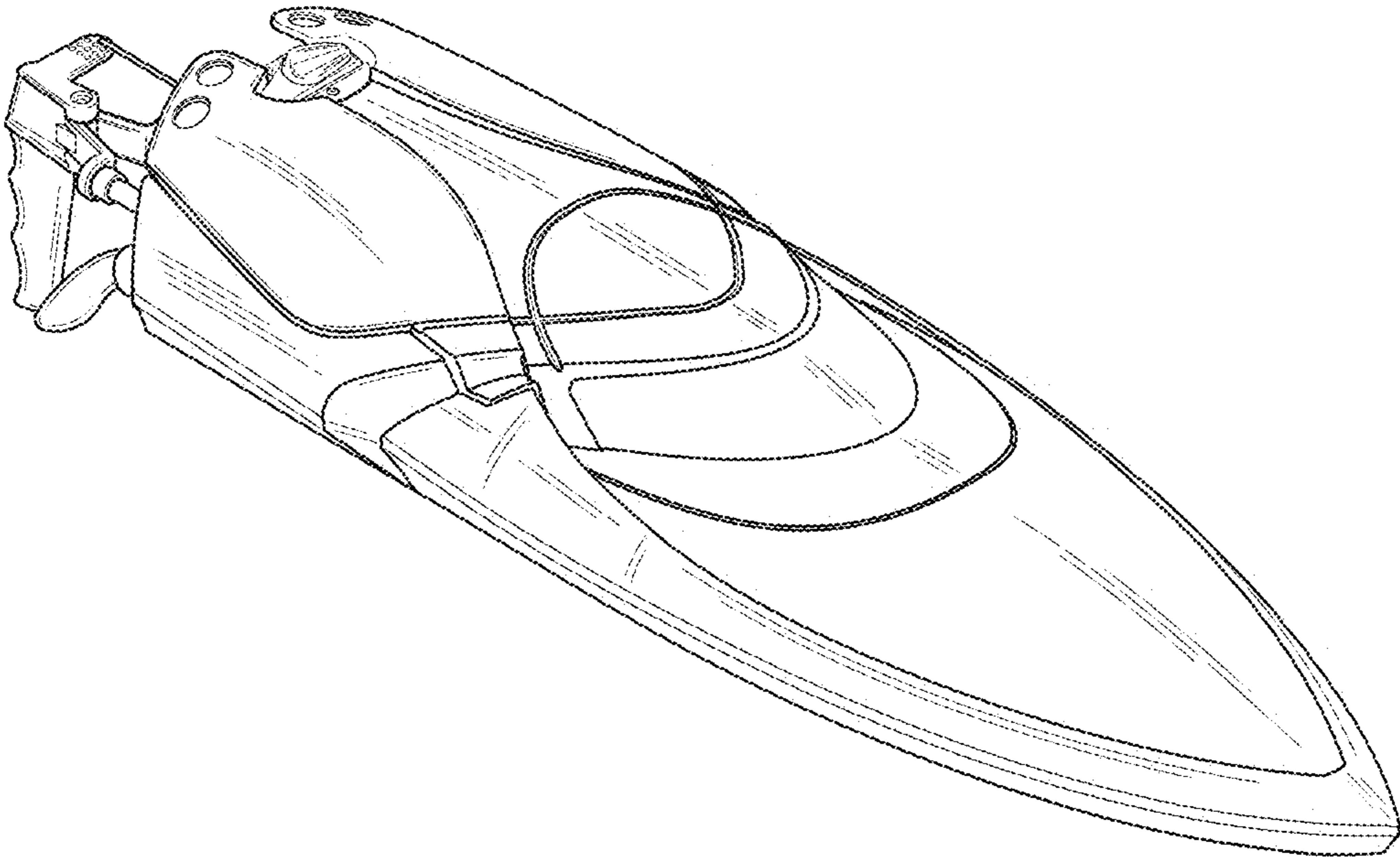


FIG.1

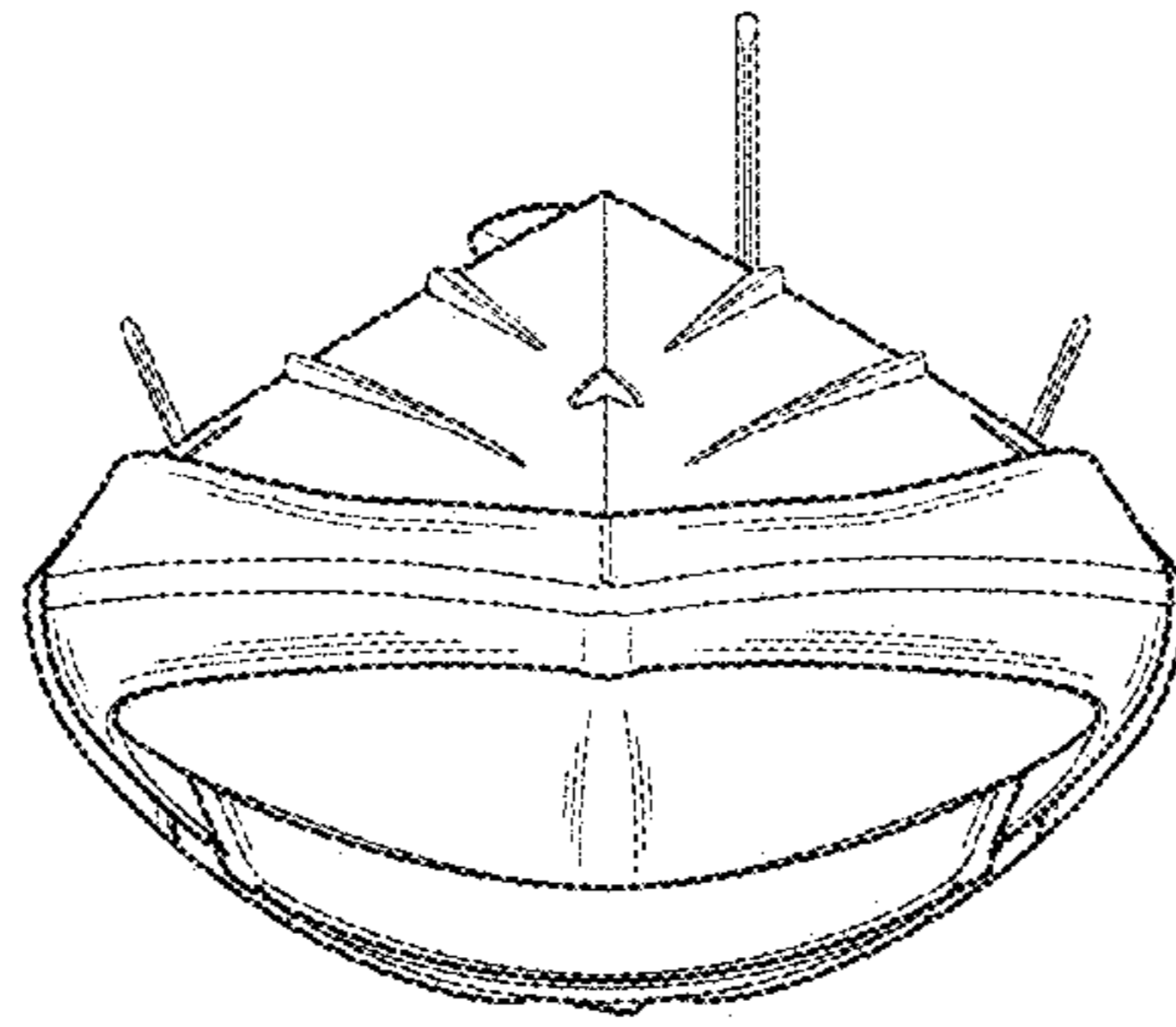


FIG.2

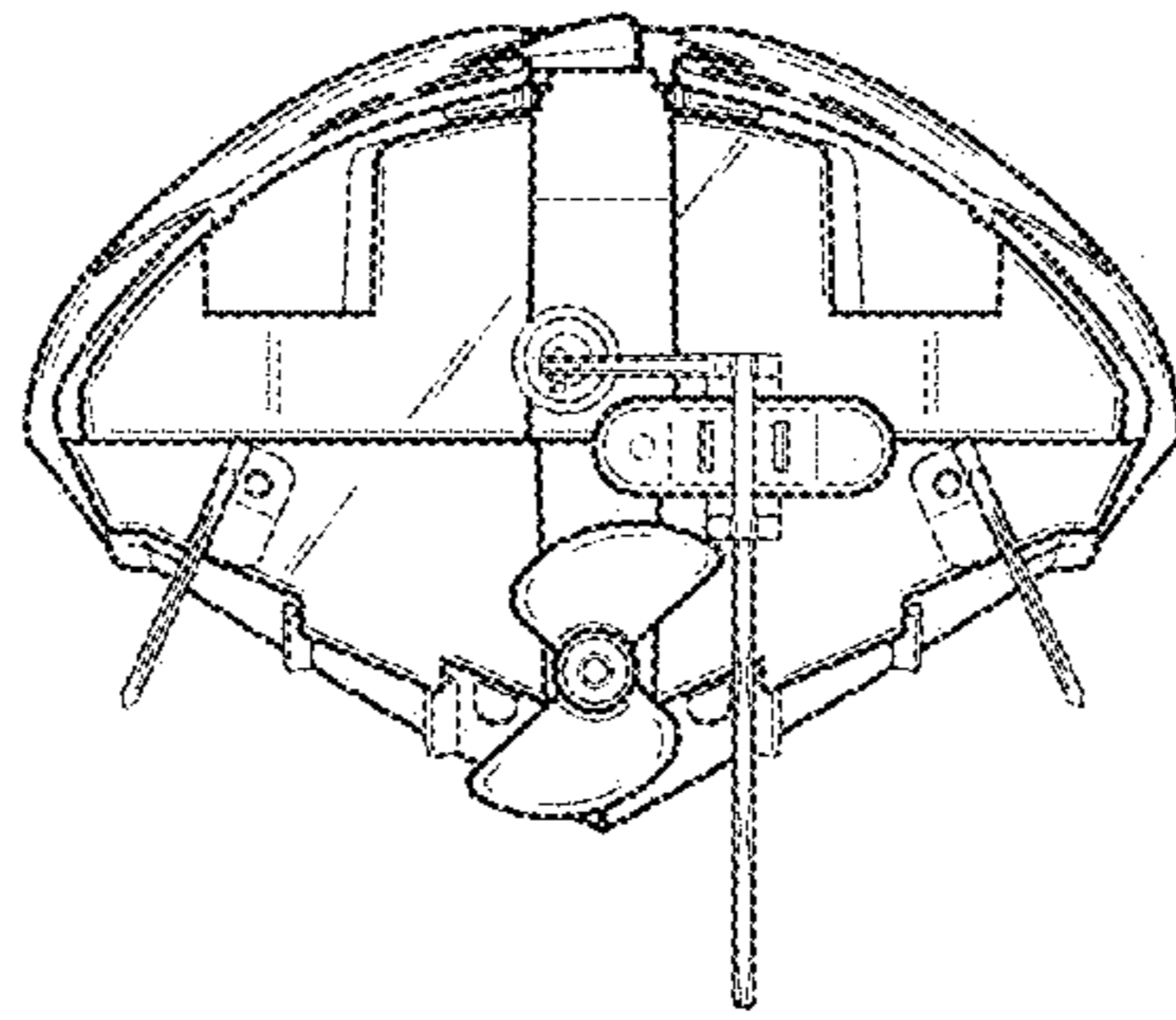


FIG.3

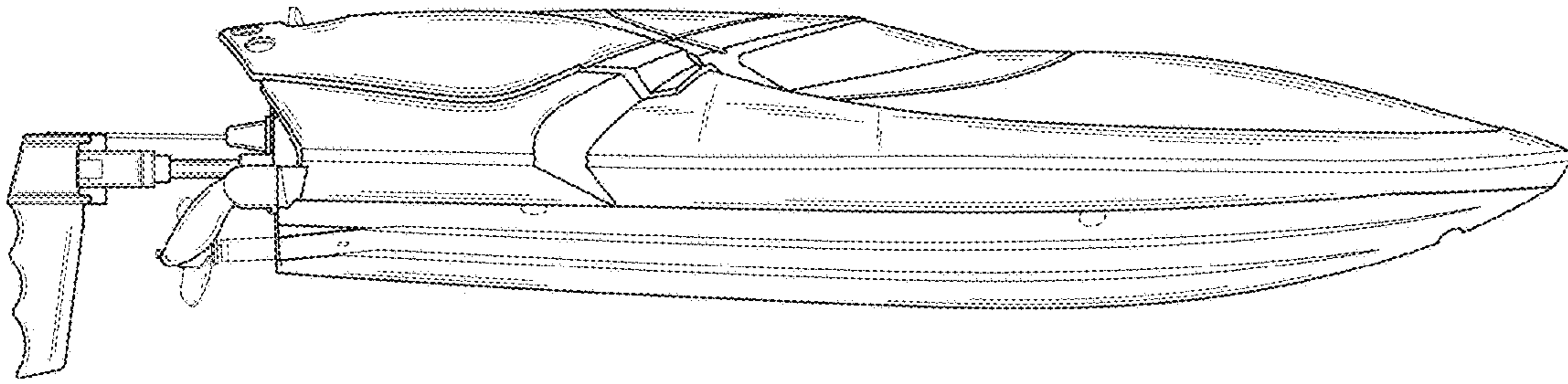


FIG.4

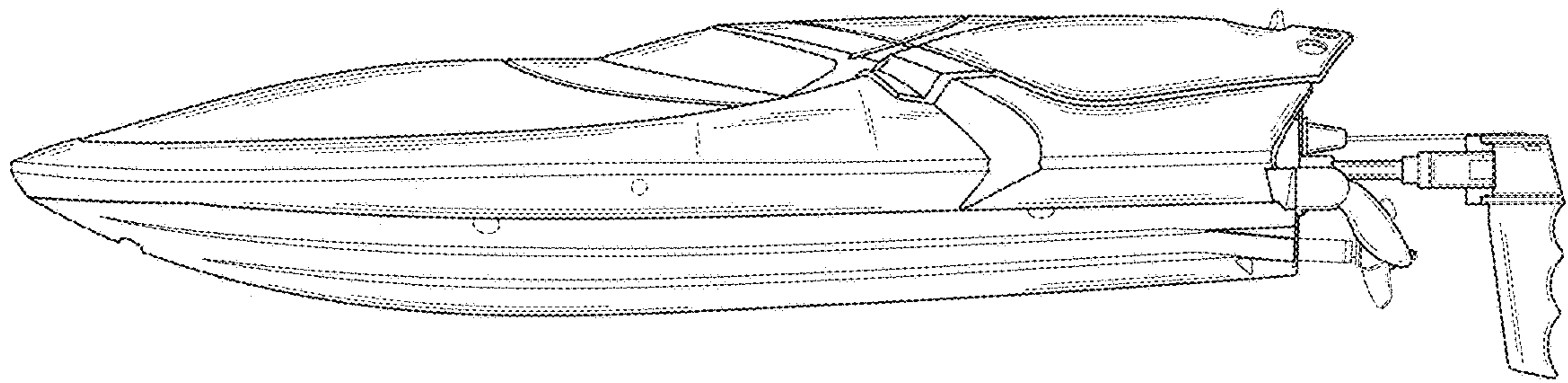


FIG.5

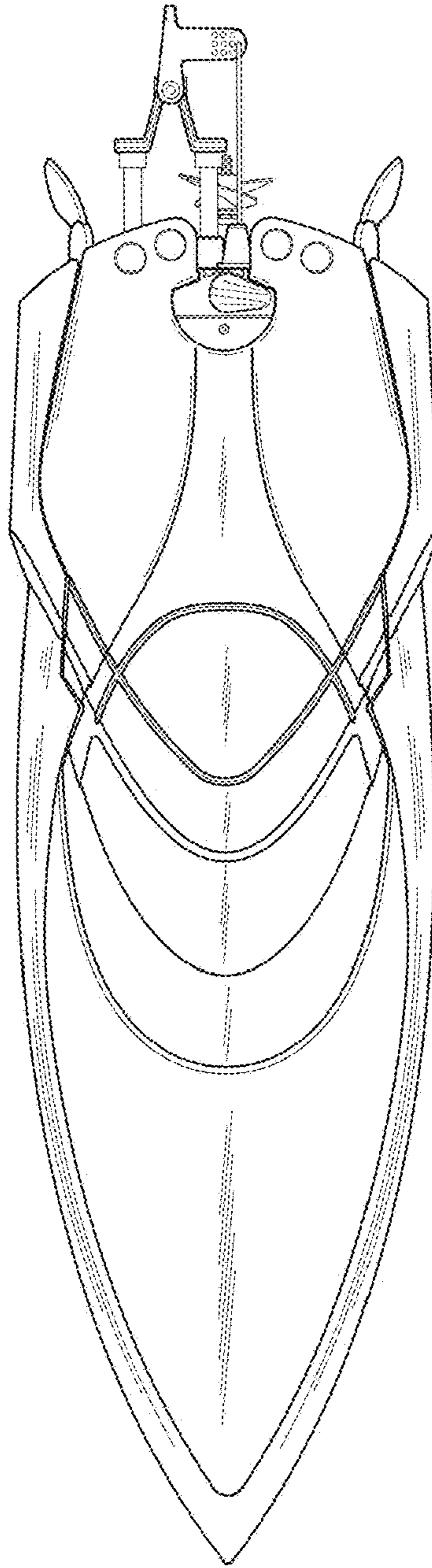


FIG.6

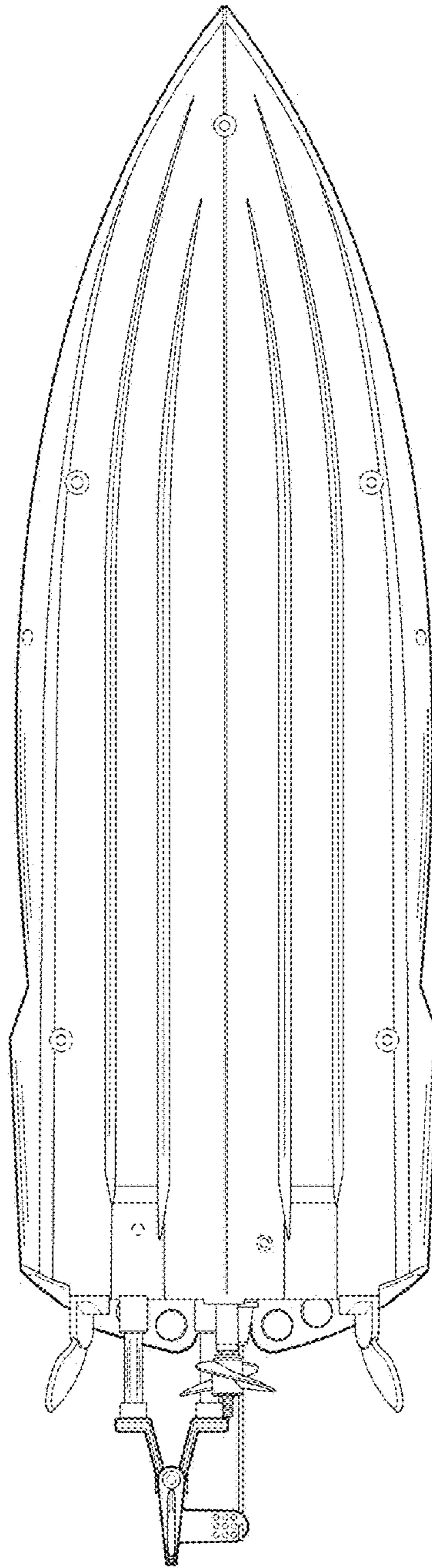


FIG.7