



US00D846659S

(12) **United States Design Patent**
Jin

(10) **Patent No.:** **US D846,659 S**

(45) **Date of Patent:** **** Apr. 23, 2019**

(54) **REMOTE-CONTROLLED TOY SHIP**

(71) Applicant: **Huimin Jin**, Hubei (CN)

(72) Inventor: **Huimin Jin**, Hubei (CN)

(**) Term: **15 Years**

(21) Appl. No.: **29/591,604**

(22) Filed: **Jan. 20, 2017**

(51) **LOC (11) Cl.** **21-01**

(52) **U.S. Cl.**

USPC **D21/542**; D21/549

(58) **Field of Classification Search**

USPC D12/300, 301, 302, 311, 313, 314;
D21/542

CPC B63B 17/00; B63B 17/02; B63B 35/81;
B63B 35/816

See application file for complete search history.

(56) **References Cited**

U.S. PATENT DOCUMENTS

D325,721 S *	4/1992	Oilier	D12/300
D374,852 S *	10/1996	Mannerfelt	D12/313
D477,039 S *	7/2003	Bao	D21/542
D497,652 S *	10/2004	Chiu	D21/542
D505,458 S *	5/2005	Wei	D21/542
D508,962 S *	8/2005	Sapir	D21/542
D540,889 S *	4/2007	Yuen	D12/314
D563,860 S *	3/2008	Roberts	D12/300
D586,719 S *	2/2009	Morris	D12/300
D686,559 S *	7/2013	Mannerfelt	D12/314
D700,128 S *	2/2014	Reynolds, Jr.	D12/302
D700,567 S *	3/2014	Scism	D12/311
D721,319 S *	1/2015	Kristinsson	D12/300
D770,964 S *	11/2016	Wagener	D12/300
D802,515 S *	11/2017	Yi	D12/300

OTHER PUBLICATIONS

Babrit—Remote control electrical boat [online] Mar. 1, 2018 from URL: found https://www.amazon.com/Babrit-Remote-Control-Electric-Boat-Red/product-reviews/B01ERN8OG2/ref=cm_cr_getr_d_paging_btm_13?ie=UTF8&reviewerType=all_reviews&sortBy=recent&pageNumber=13.*

* cited by examiner

Primary Examiner — Robin V Webster

Assistant Examiner — Keith J Wilson

(74) *Attorney, Agent, or Firm* — Justin Lampel

(57) **CLAIM**

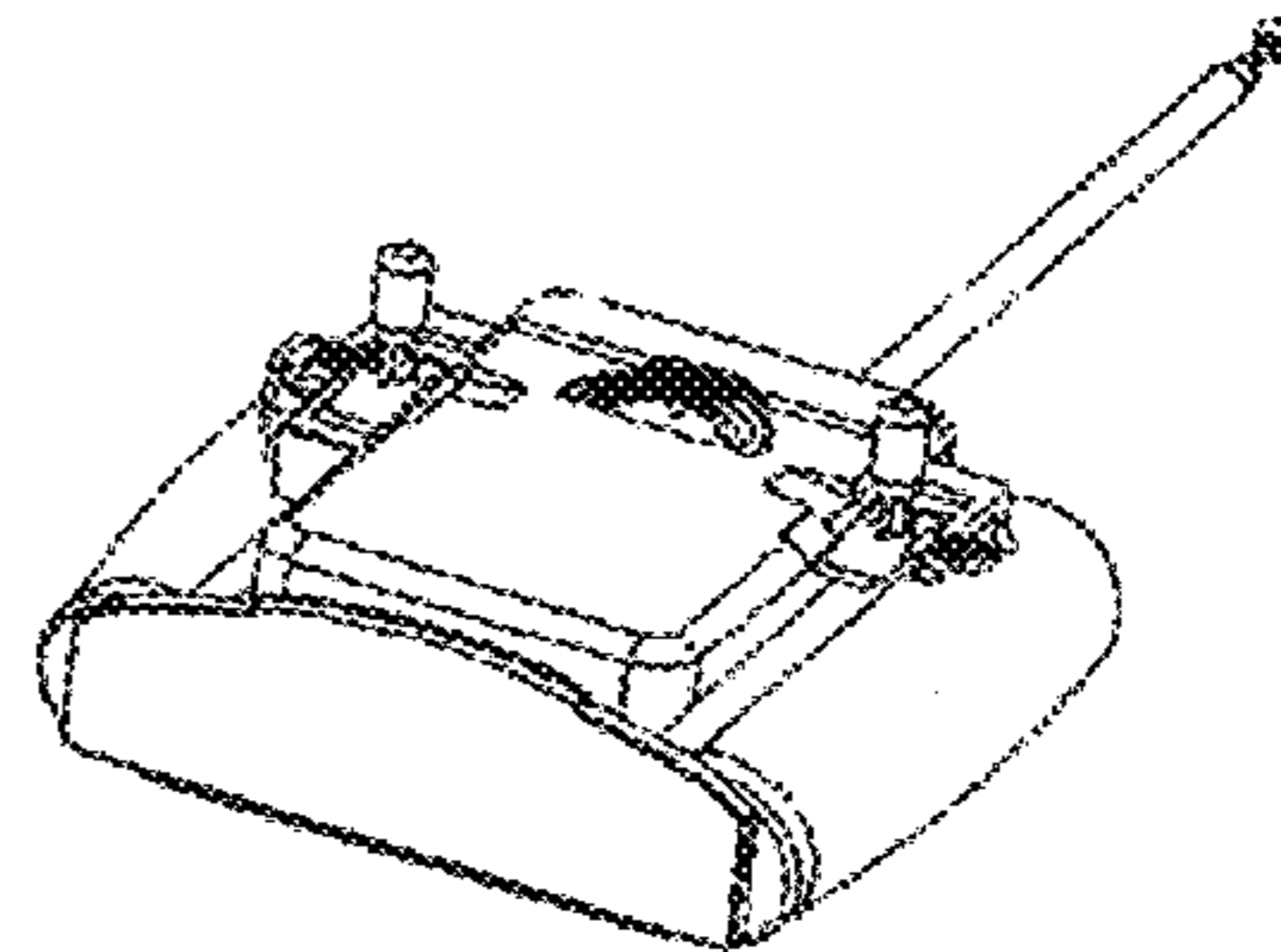
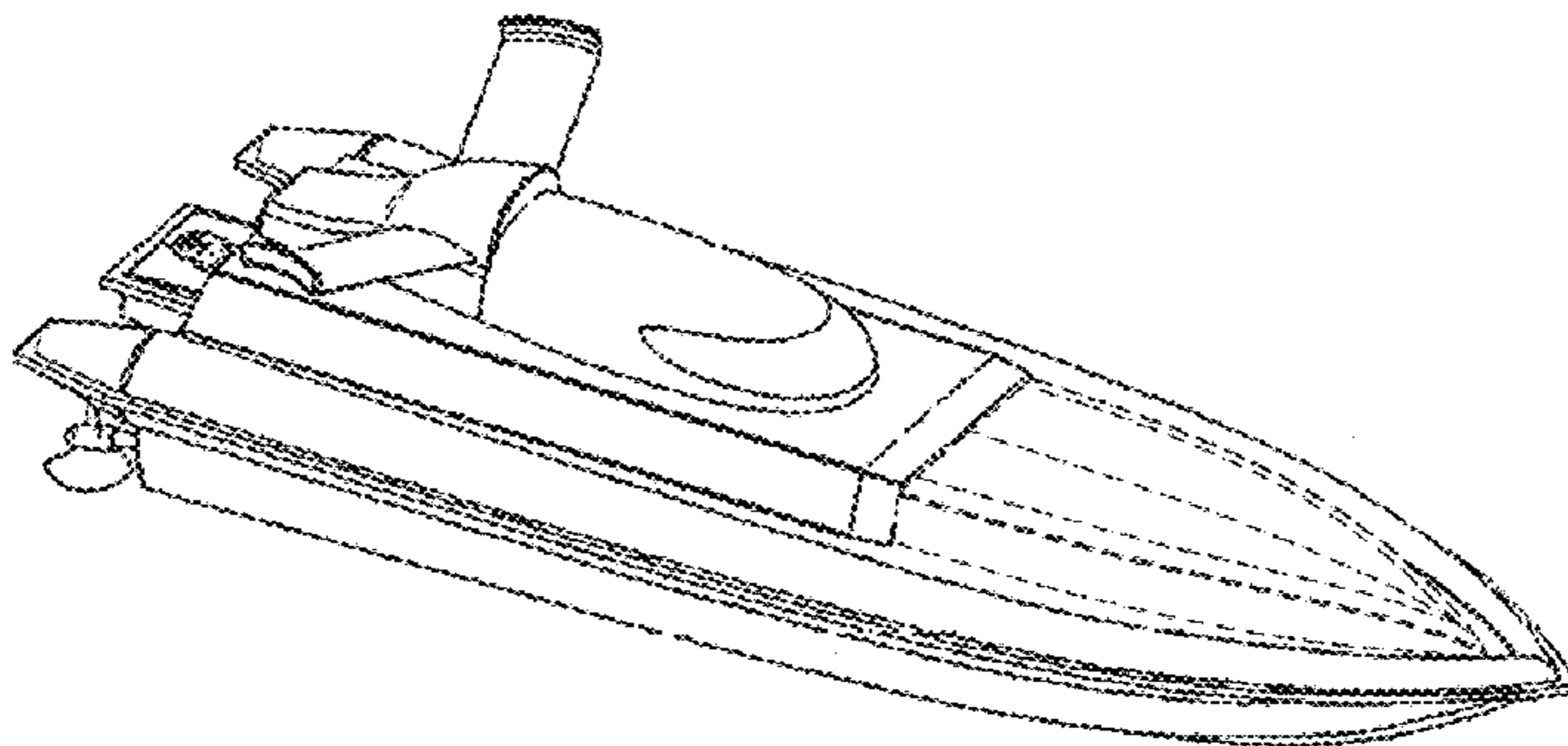
The ornamental design for a remote-controlled toy ship, as shown and described.

DESCRIPTION

FIG. 1 is a perspective view of a combined remote-controlled toy ship and controller showing my new design; FIG. 2 is a front elevational view of the ship part; FIG. 3 is a rear elevational view thereof; FIG. 4 is a right side view thereof; FIG. 5 is a left side view thereof; FIG. 6 is a bottom plan view thereof; FIG. 7 is a top plan view thereof; FIG. 8 is a front elevational view of the controller part; FIG. 9 is a rear elevational view thereof; FIG. 10 is a right side view thereof; FIG. 11 is a left side view thereof; FIG. 12 is a bottom plan view thereof; and, FIG. 13 is a top plan view thereof.

The broken lines shown depict portions of the remote controlled toy ship that form no part of the claimed design.

1 Claim, 10 Drawing Sheets



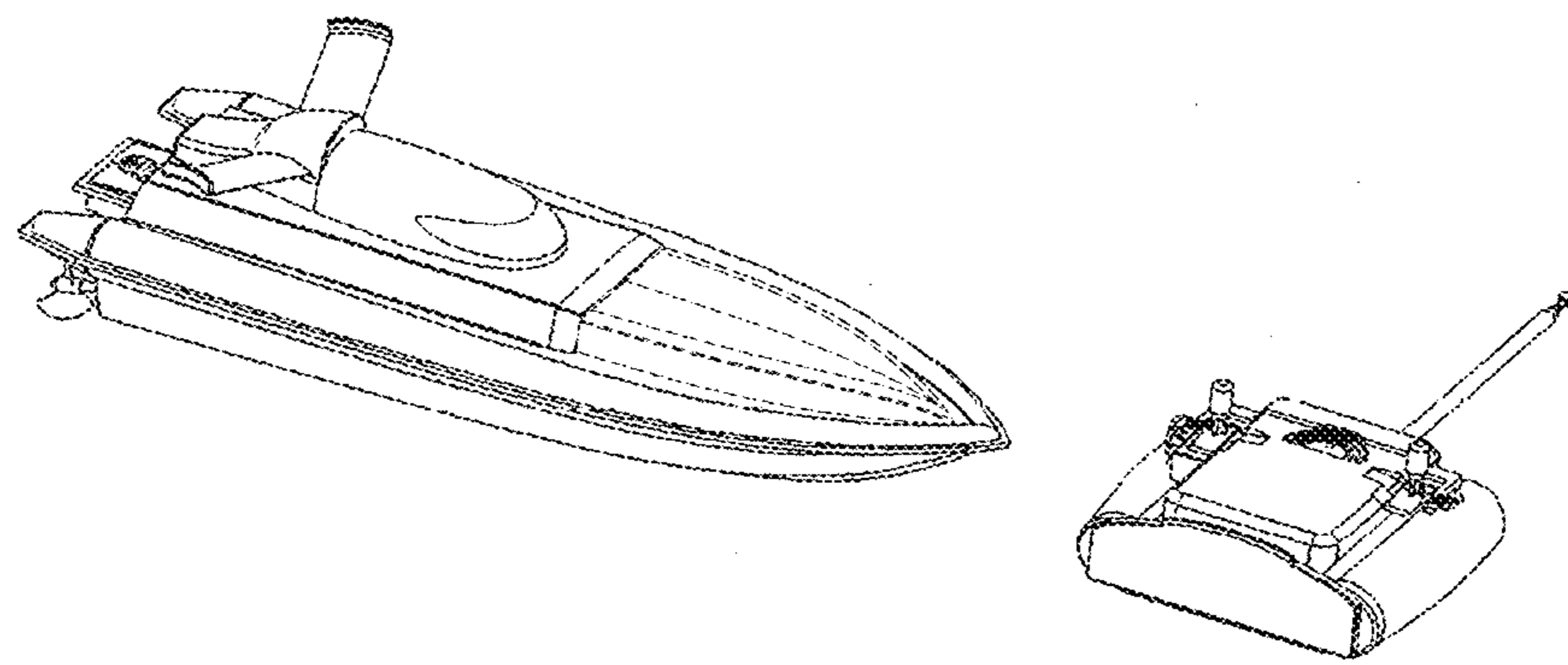


FIG. 1

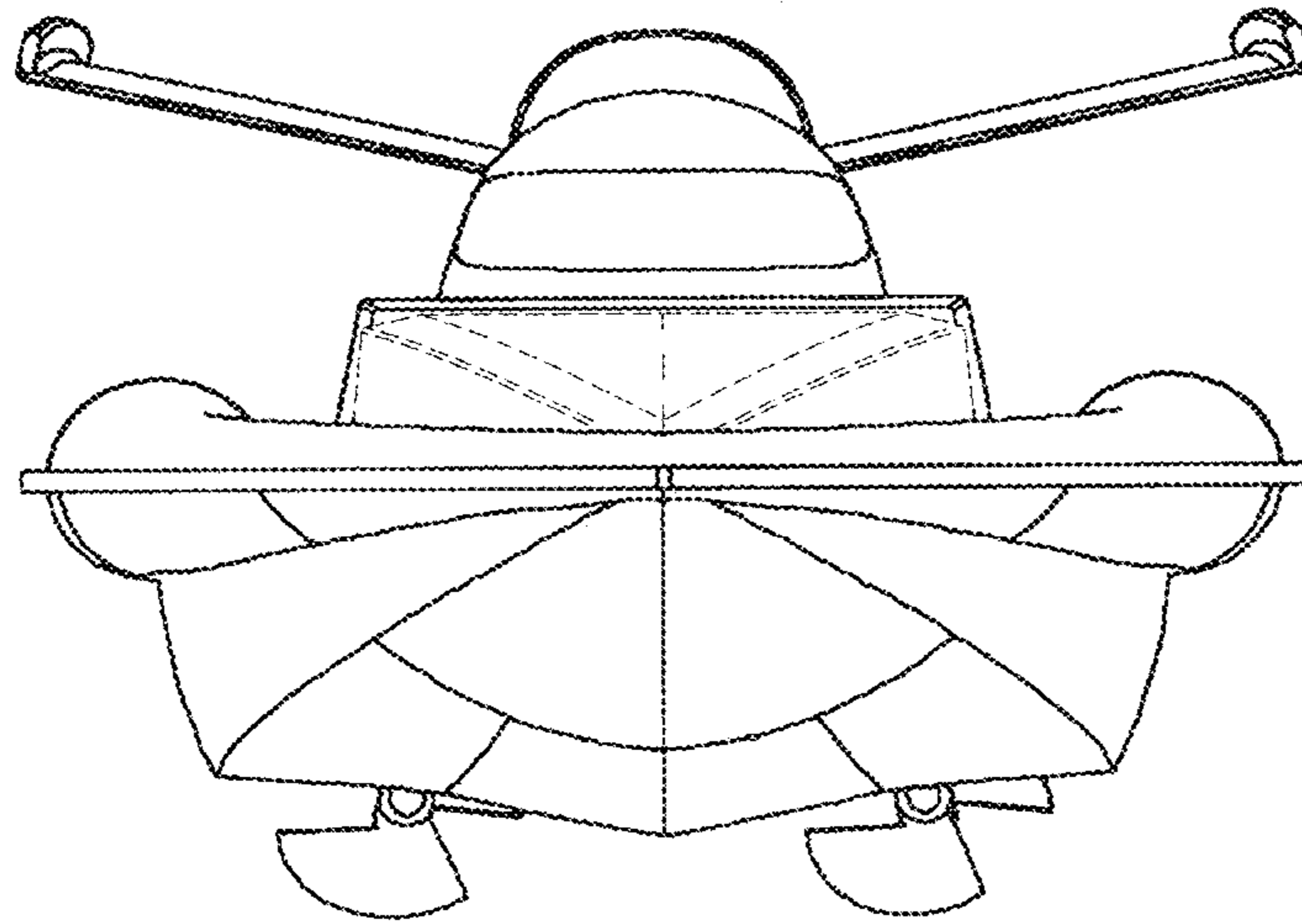


FIG. 2

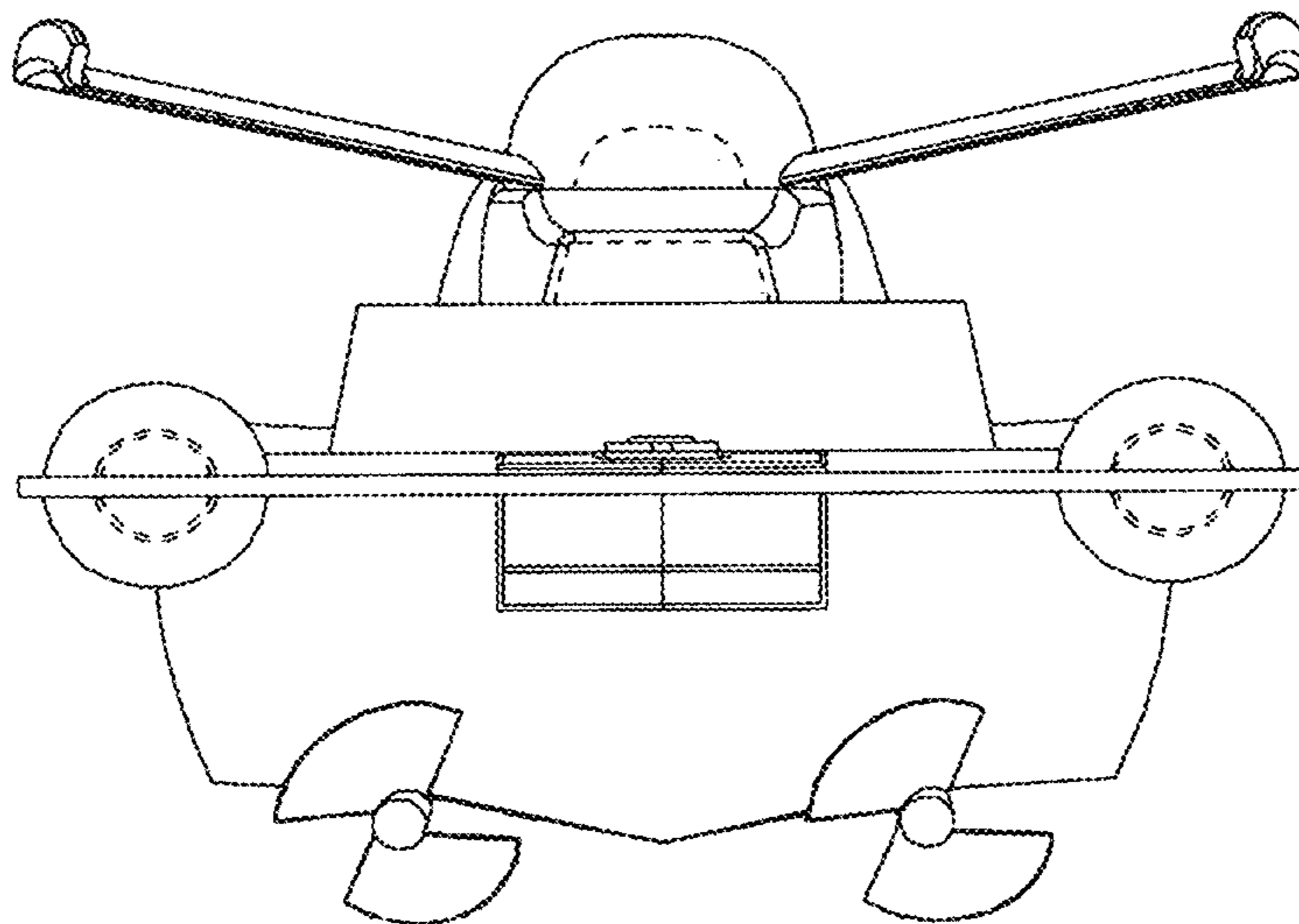


FIG. 3

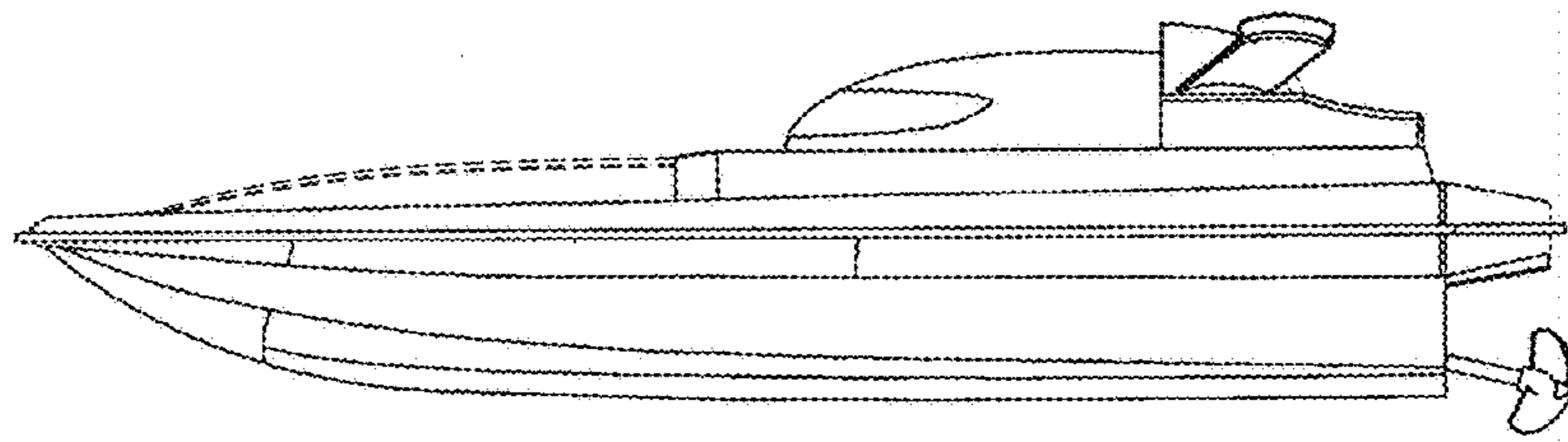


FIG. 4

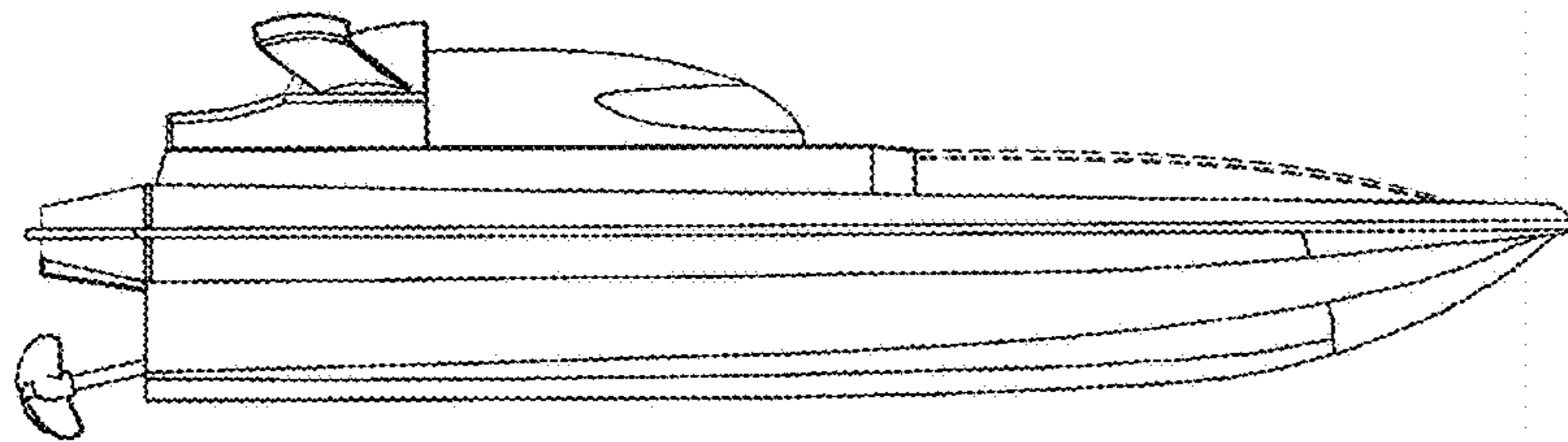


FIG. 5

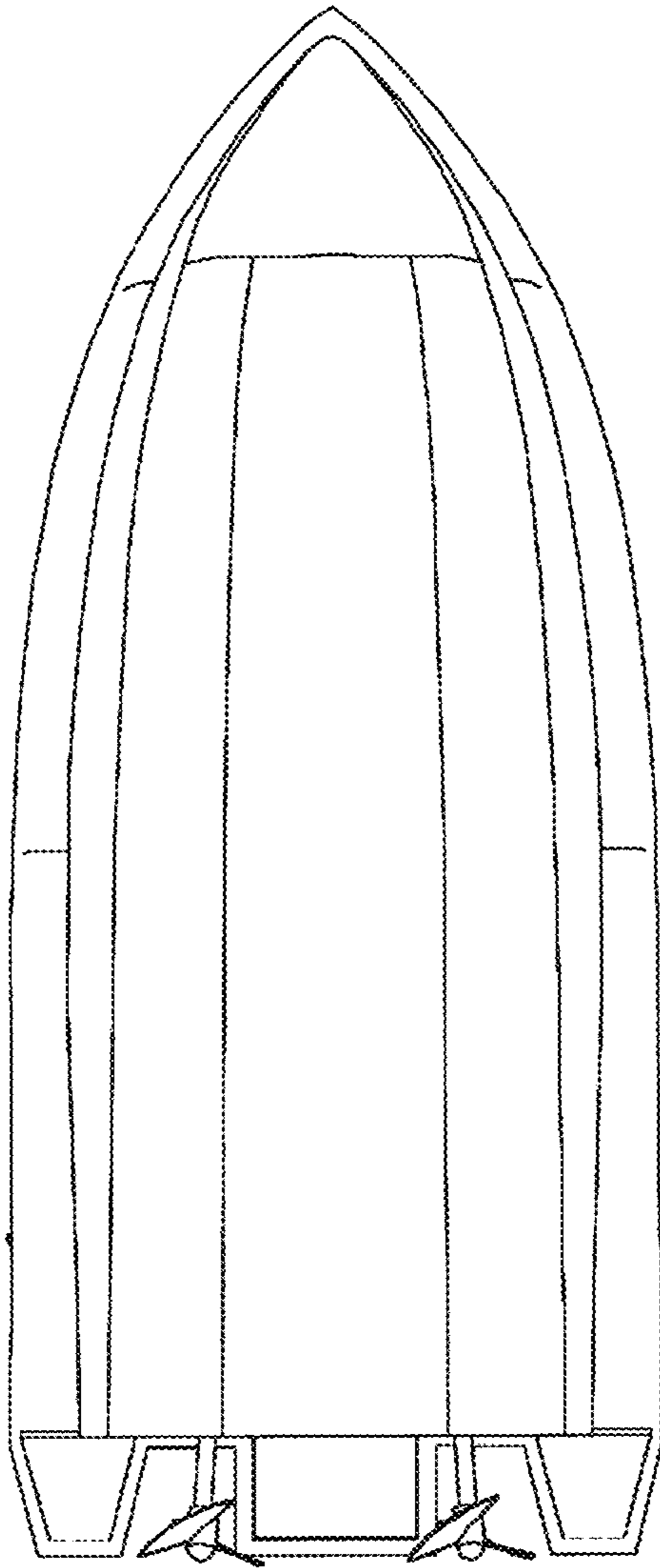


FIG. 6

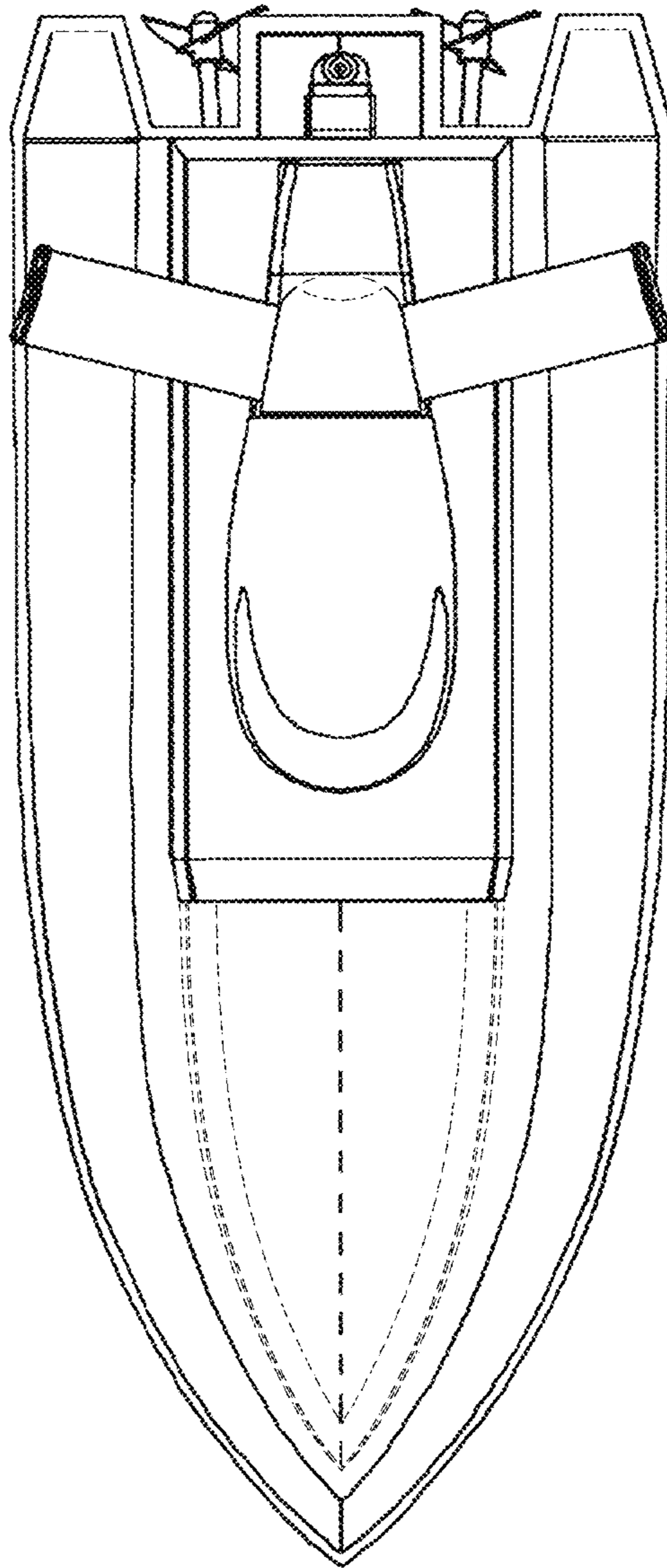


FIG. 7

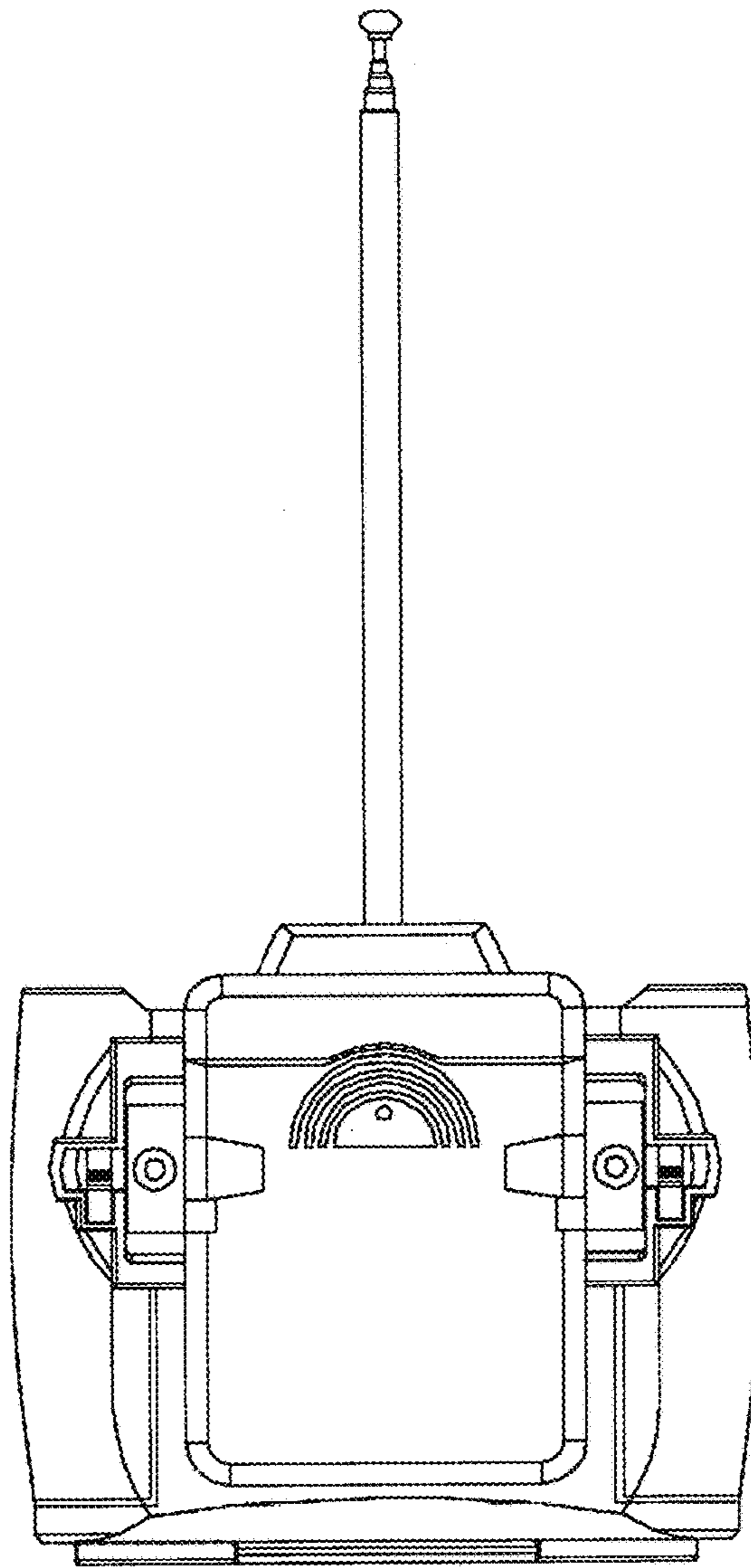


FIG. 8

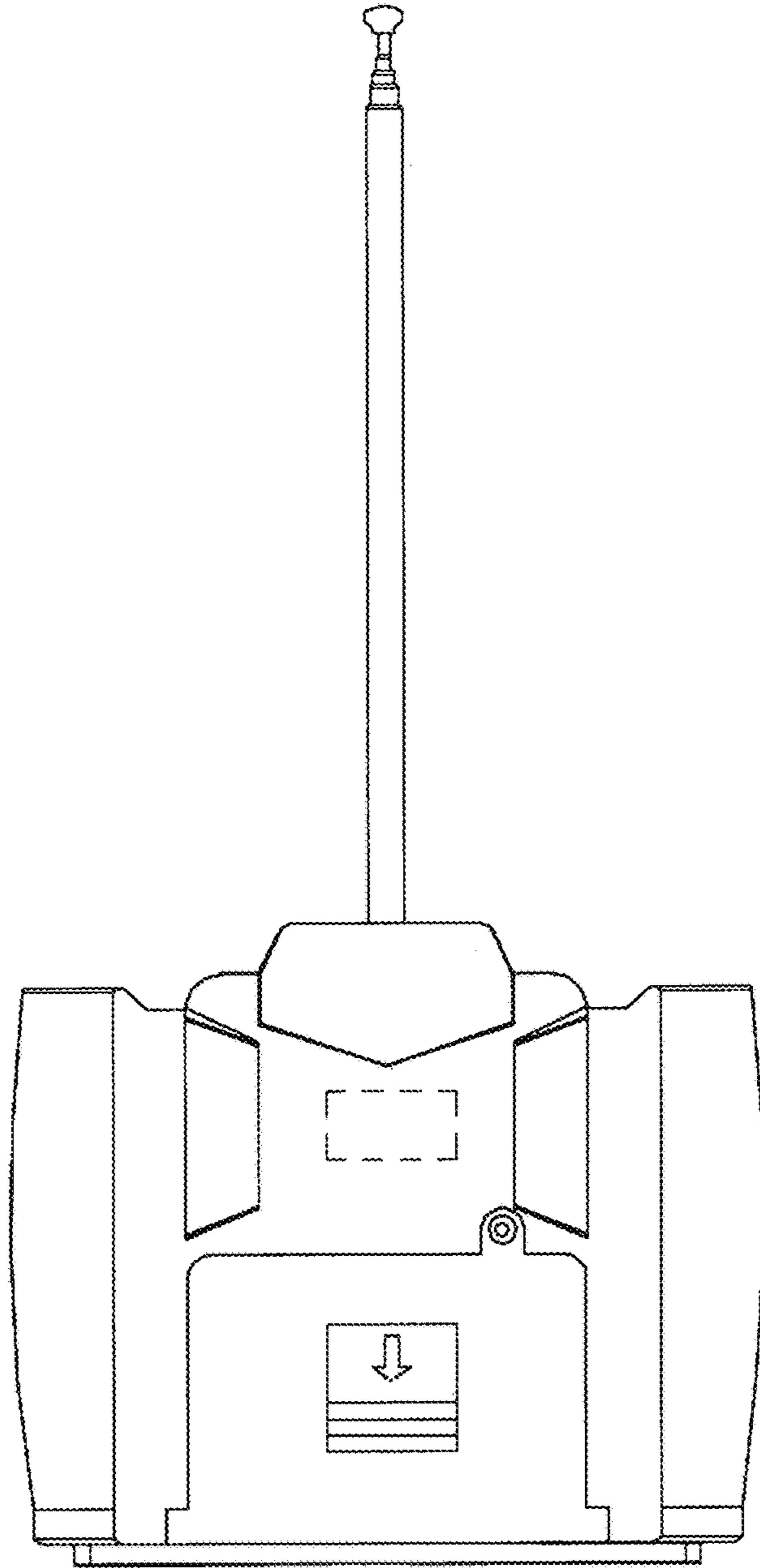


FIG. 9

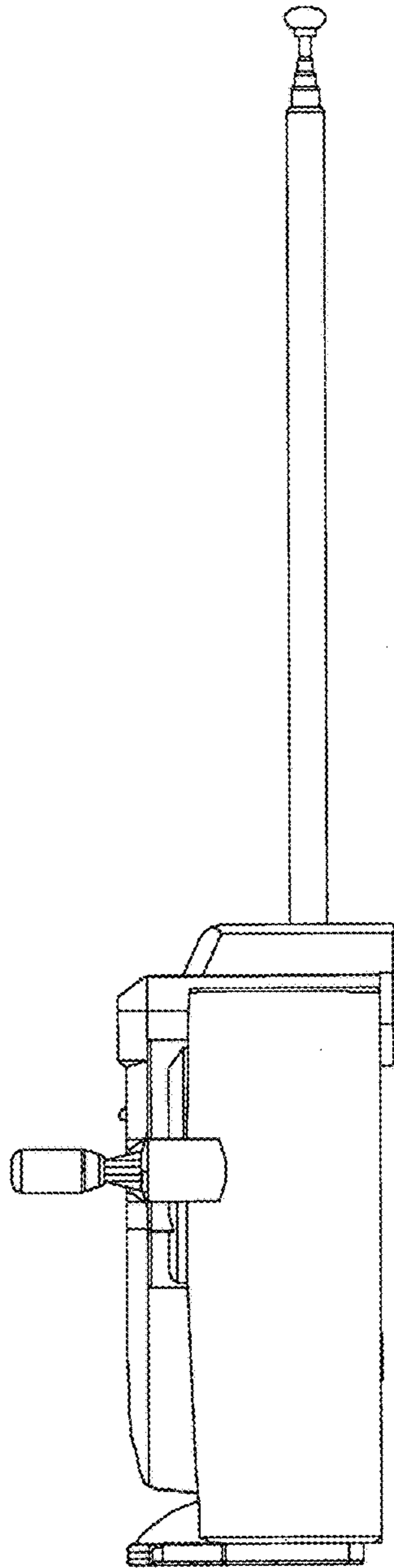


FIG. 10

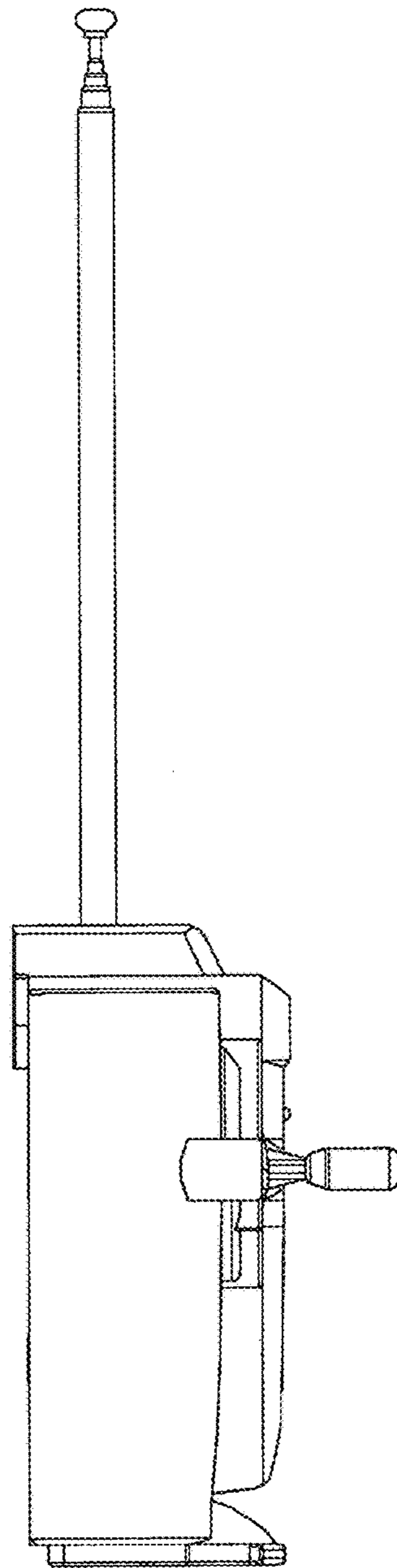


FIG. 11

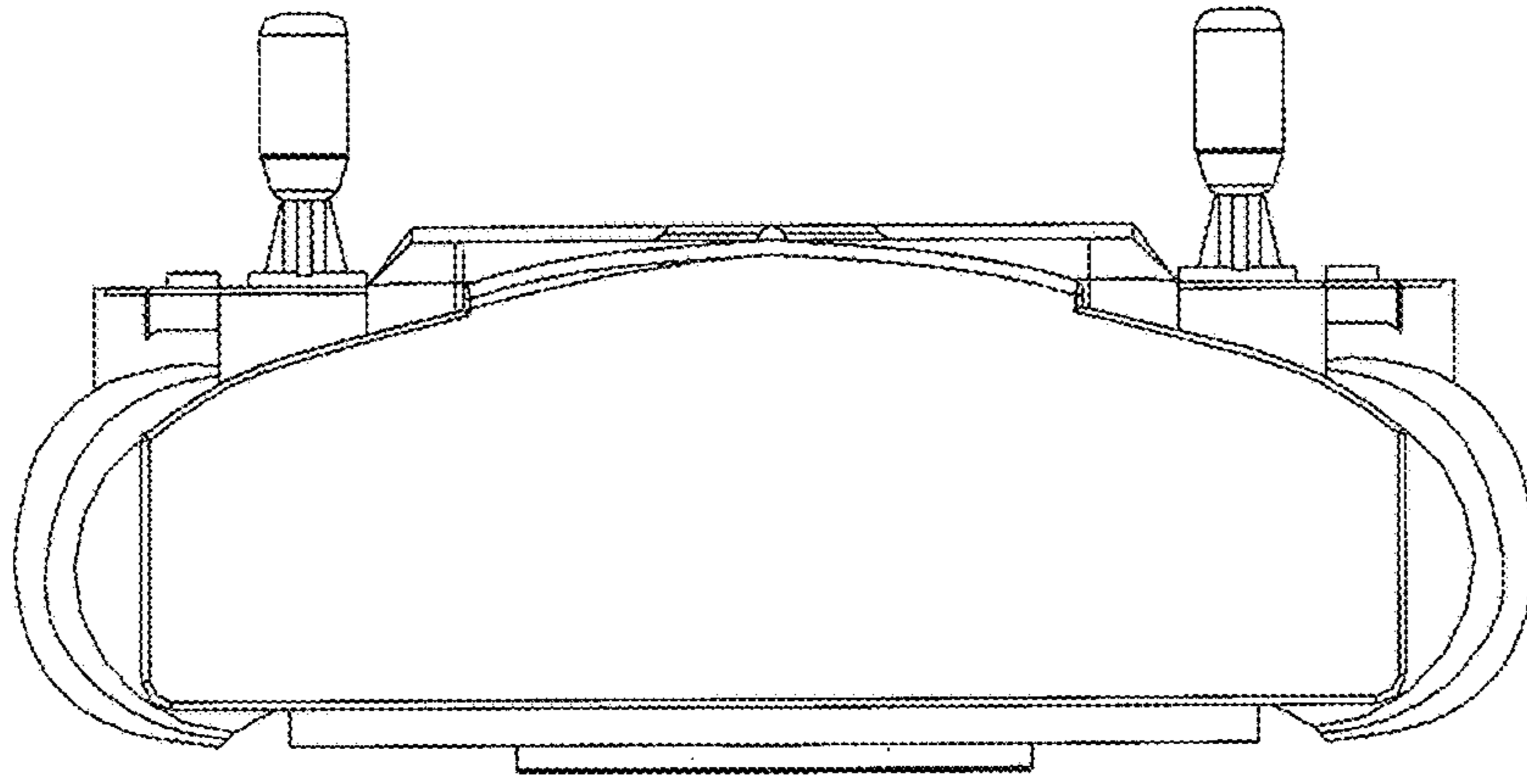


FIG. 12

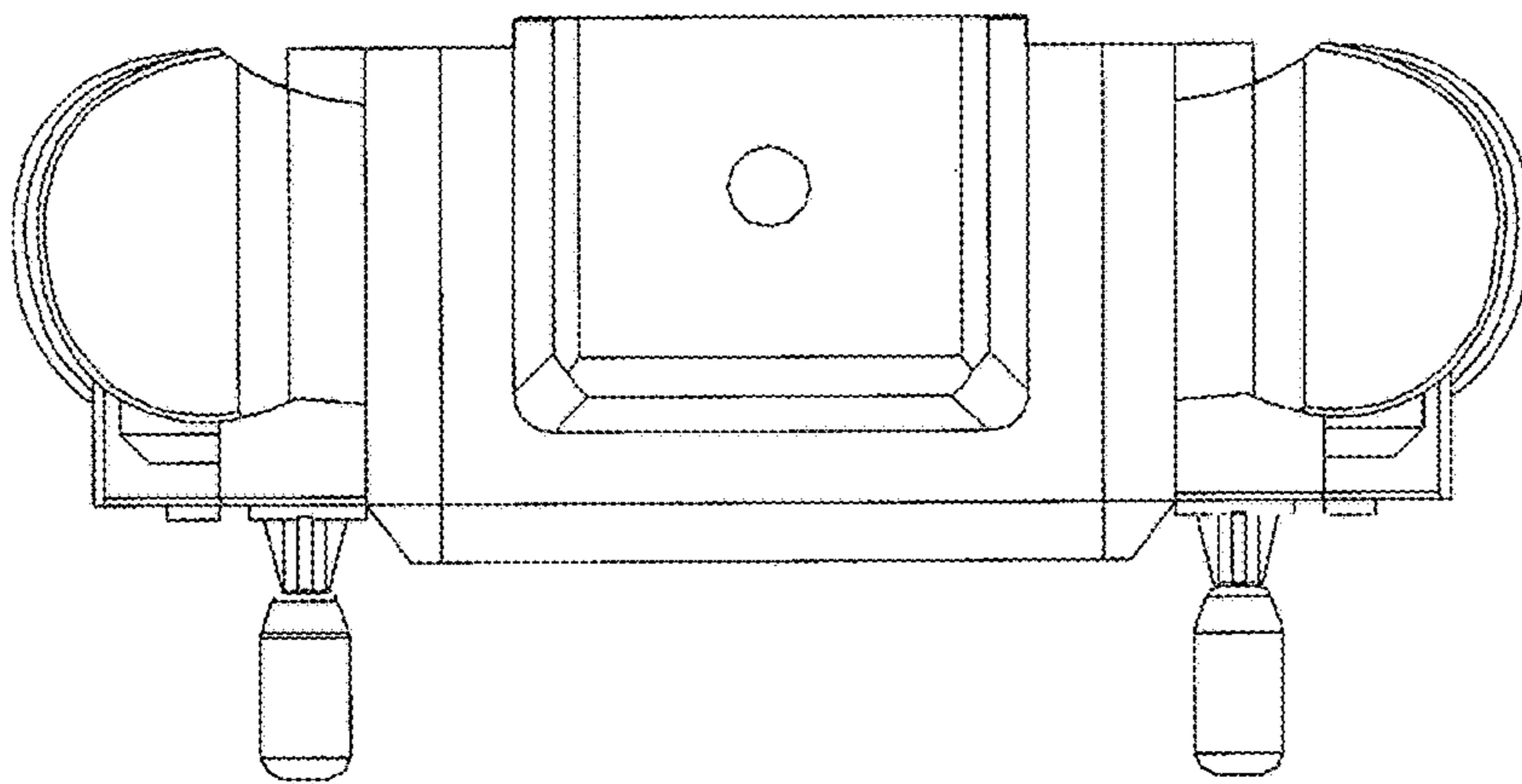


FIG. 13