



US00D846655S

(12) **United States Design Patent**
Horikawa et al.

(10) **Patent No.:** **US D846,655 S**
(45) **Date of Patent:** **** Apr. 23, 2019**

(54) **SPINNING TOP TOY**

(71) Applicant: **TOMY COMPANY, LTD.**, Tokyo (JP)

(72) Inventors: **Akira Horikawa**, Tokyo (JP); **Yasunori Akiyama**, Tokyo (JP)

(73) Assignee: **TOMY COMPANY, LTD.**, Tokyo (JP)

(**) Term: **15 Years**

(21) Appl. No.: **29/505,893**

(22) Filed: **Mar. 31, 2016**

(30) **Foreign Application Priority Data**

Dec. 21, 2015 (JP) 2015-028371

(51) **LOC (11) Cl.** **21-01**

(52) **U.S. Cl.**
USPC **D21/460**

(58) **Field of Classification Search**
USPC D21/436, 441, 443, 444, 455, 460-464;
446/236-266

(Continued)

(56) **References Cited**

U.S. PATENT DOCUMENTS

D155,015 S * 8/1949 Krapp 102/359

D608,842 S * 1/2010 Nishimoto D21/460

(Continued)

FOREIGN PATENT DOCUMENTS

CN 3262744 * 11/2002

CN 300846670 * 11/2008

(Continued)

Primary Examiner — Catherine A Tuttle

(74) *Attorney, Agent, or Firm* — Staas & Halsey LLP

(57) **CLAIM**

The ornamental design for a spinning top toy, as shown and described.

DESCRIPTION

FIG. 1 is a front view of the spinning top toy showing our design;

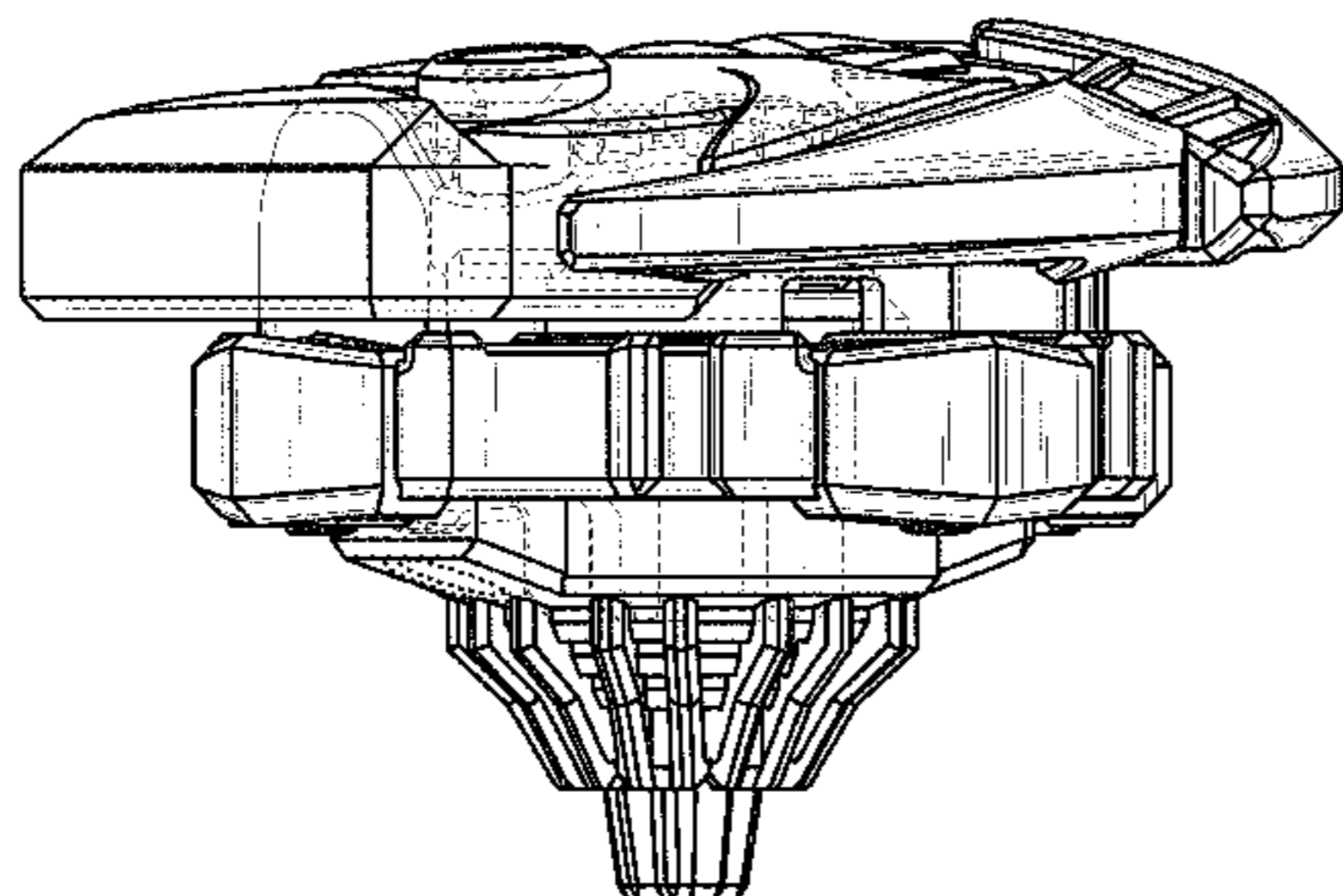


FIG. 2 is a left side view thereof;

FIG. 3 is a rear view thereof;

FIG. 4 is right side view thereof;

FIG. 5 is a top view thereof;

FIG. 6 is a bottom view thereof;

FIG. 7 is a perspective view thereof;

FIG. 8 is a front elevational view of the transparent portion of the design shown in isolation for clarity of disclosure;

FIG. 9 is a top plan view of the top surface of the transparent portion shown in isolation for clarity of disclosure.

FIG. 10 is a front view of the spinning top toy, corresponding to FIG. 1 but showing contour shading to the exterior parts and with the interior parts omitted for clarity of disclosure;

FIG. 11 is a left side view thereof corresponding to FIG. 2 but showing contour shading to the exterior parts and with the interior parts omitted for clarity of disclosure;

FIG. 12 is a rear view thereof corresponding to FIG. 3 but showing contour shading to the exterior parts and with the interior parts omitted for clarity of disclosure;

FIG. 13 is right side view thereof corresponding to FIG. 4 but showing contour shading to the exterior parts and with the interior parts omitted for clarity of disclosure;

FIG. 14 is a top view thereof corresponding to FIG. 5 but showing contour shading to the exterior parts and with the interior parts omitted for clarity of disclosure;

FIG. 15 is a bottom view thereof corresponding to FIG. 6 but showing contour shading to the exterior parts and with the interior parts omitted for clarity of disclosure;

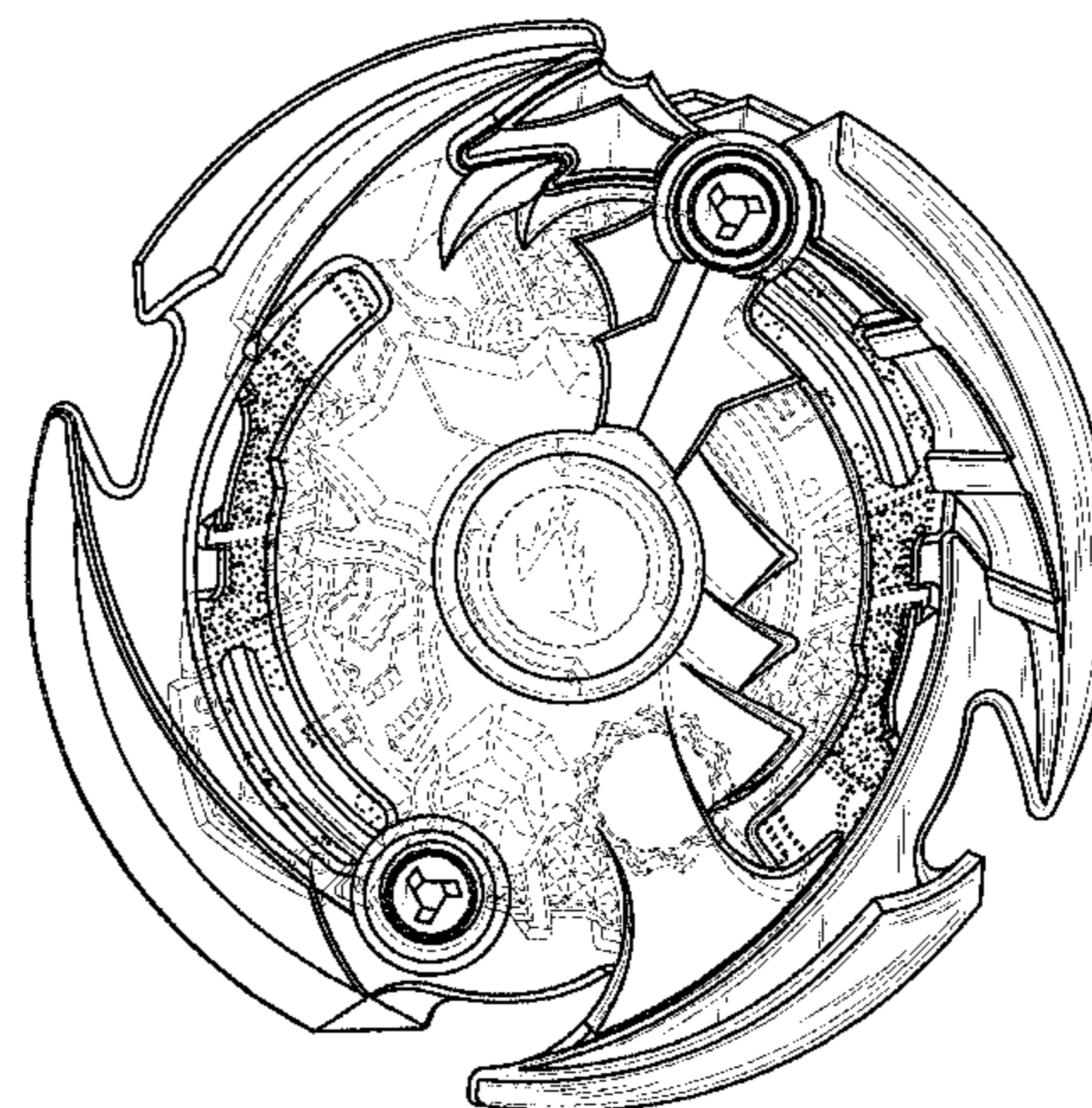
FIG. 16 is a perspective view thereof corresponding to FIG. 7 but showing contour shading to the exterior parts and with the interior parts omitted for clarity of disclosure;

FIG. 17 is a front elevational view corresponding to FIG. 8 but showing contour shading to the exterior parts and with the interior parts omitted for clarity of disclosure; and,

FIG. 18 is a top plan view corresponding to FIG. 9 but showing contour shading to the exterior parts with the interior parts omitted for clarity of disclosure.

The portions of the spinning top toy shown in broken lines form no part of the claimed design.

1 Claim, 18 Drawing Sheets



(58) **Field of Classification Search**

CPC A63H 1/00–1/32; A63F 9/16
See application file for complete search history.

(56) **References Cited**

U.S. PATENT DOCUMENTS

D614,245	S	*	4/2010	Ujita	D21/460
D629,469	S	*	12/2010	Nishimoto	D21/460
D639,348	S	*	6/2011	Ujita	D21/460
D639,869	S	*	6/2011	Nishimoto	D21/460
D660,918	S	*	5/2012	Ujita	D21/460
D662,556	S	*	6/2012	Horikoshi	D21/460
D666,252	S	*	8/2012	Ujita	D21/460
D666,253	S	*	8/2012	Ujita	D21/460
D667,894	S	*	9/2012	Horikoshi	D21/460
9,737,821	B1	*	8/2017	Horikoshi	A63H 1/18
D834,101	S	*	11/2018	Horikoshi	D21/460
D834,102	S	*	11/2018	Muraki	D21/460
2009/0253344	A1	*	10/2009	Ujita	A63H 1/02 446/256

FOREIGN PATENT DOCUMENTS

CN	D1531586	*	8/2015
CN	303359339	*	9/2015
CN	303509937	*	12/2015
CN	303533299	*	12/2015

* cited by examiner

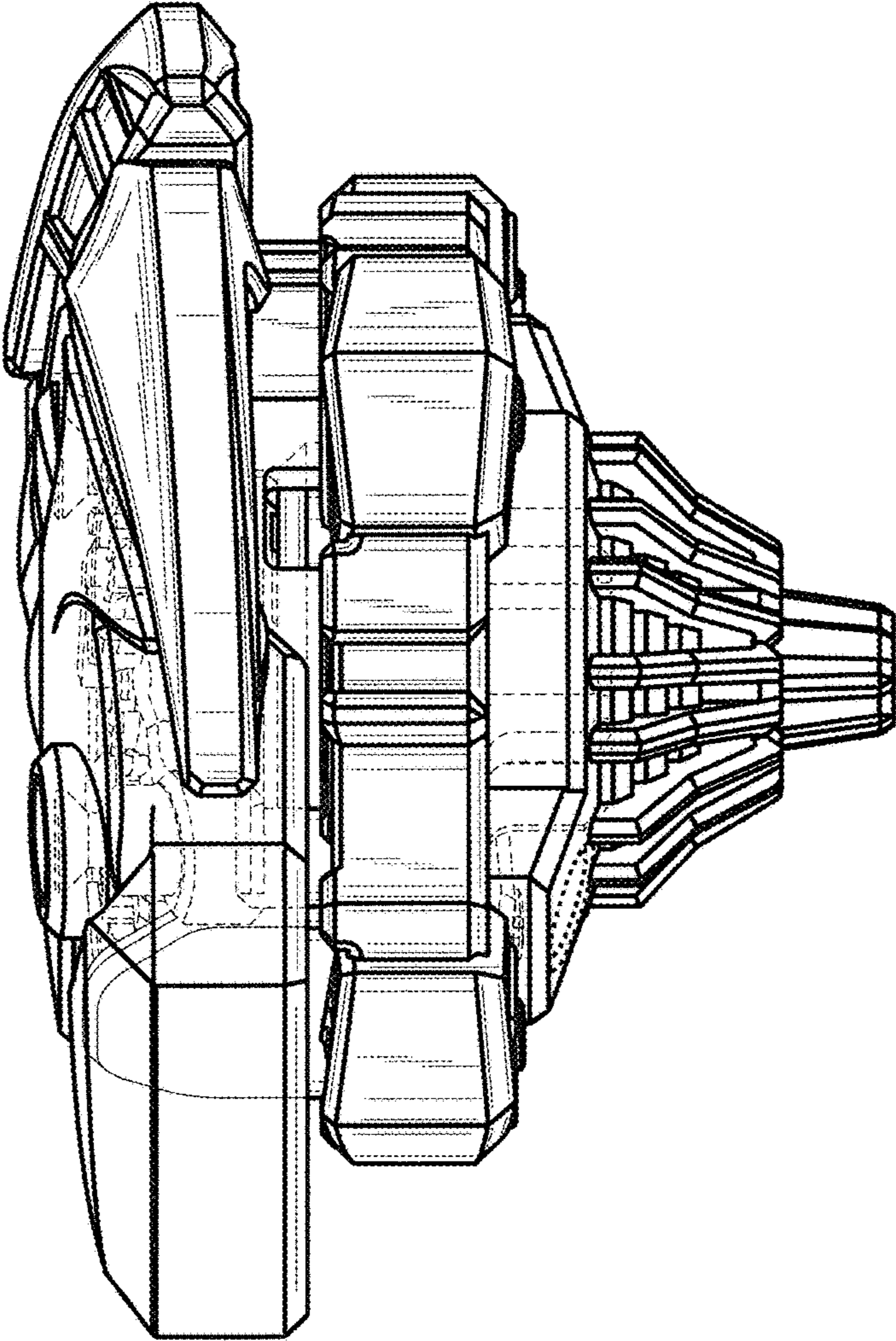


FIG. 1

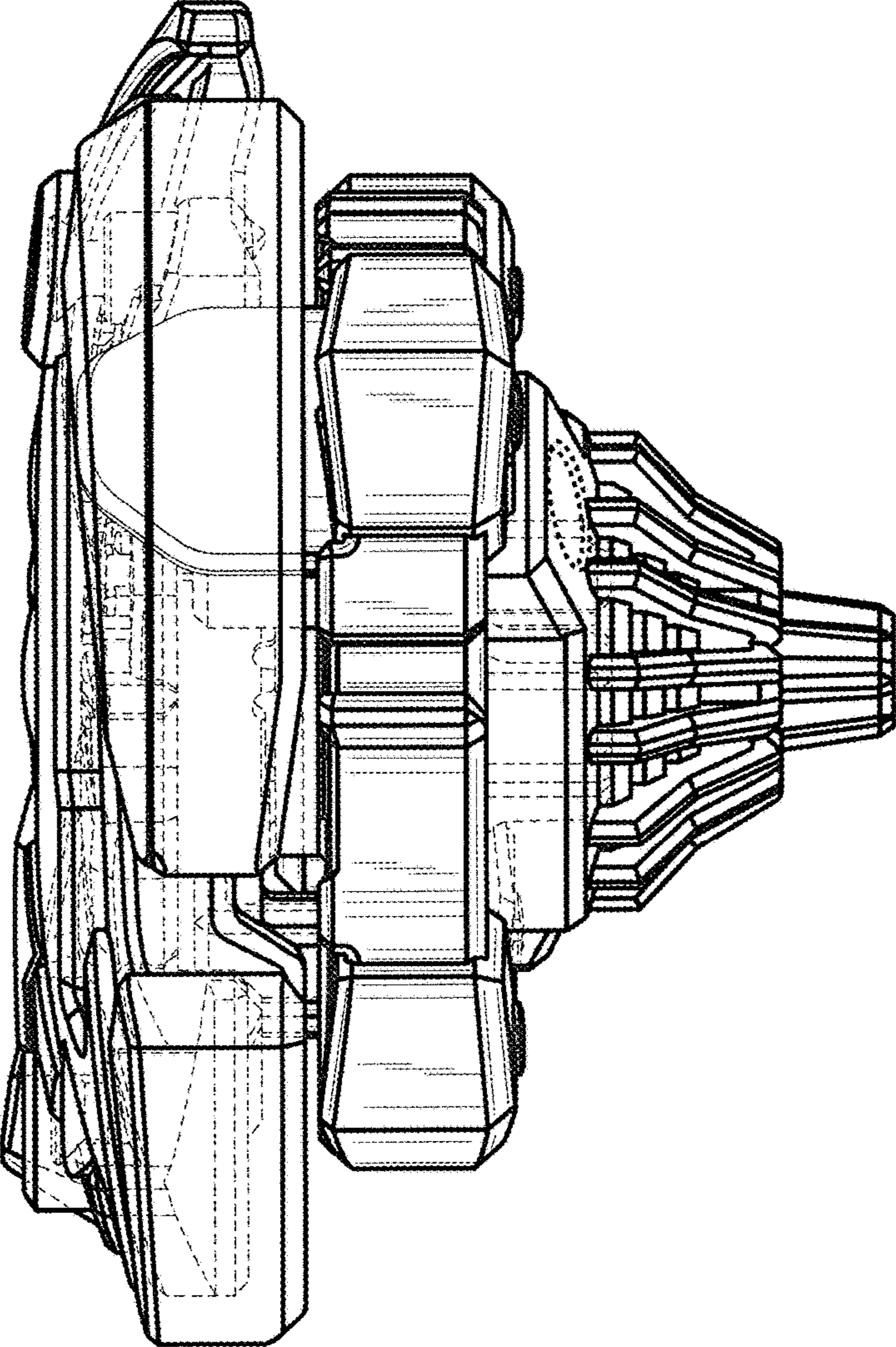


FIG. 2

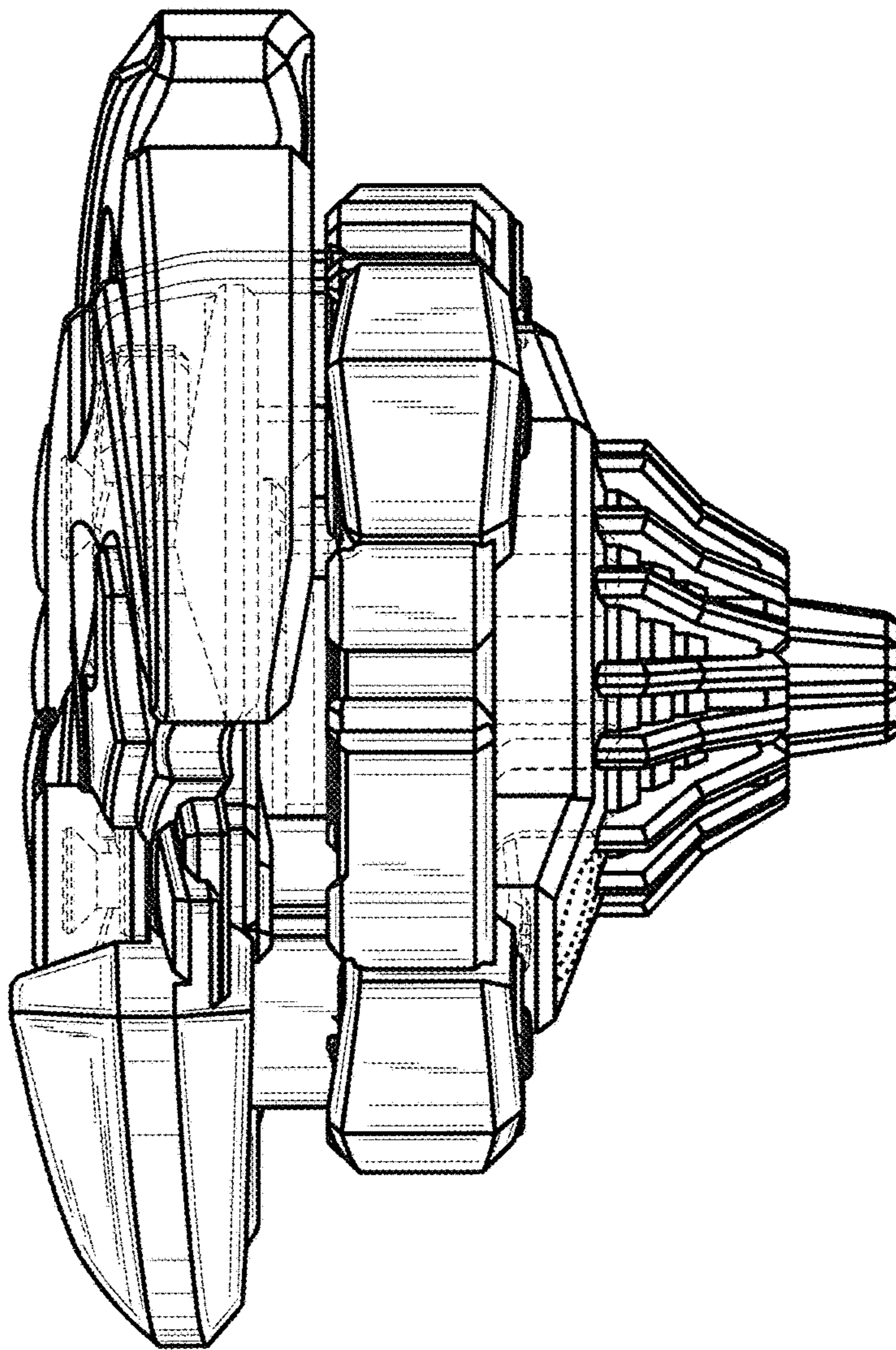


FIG. 3

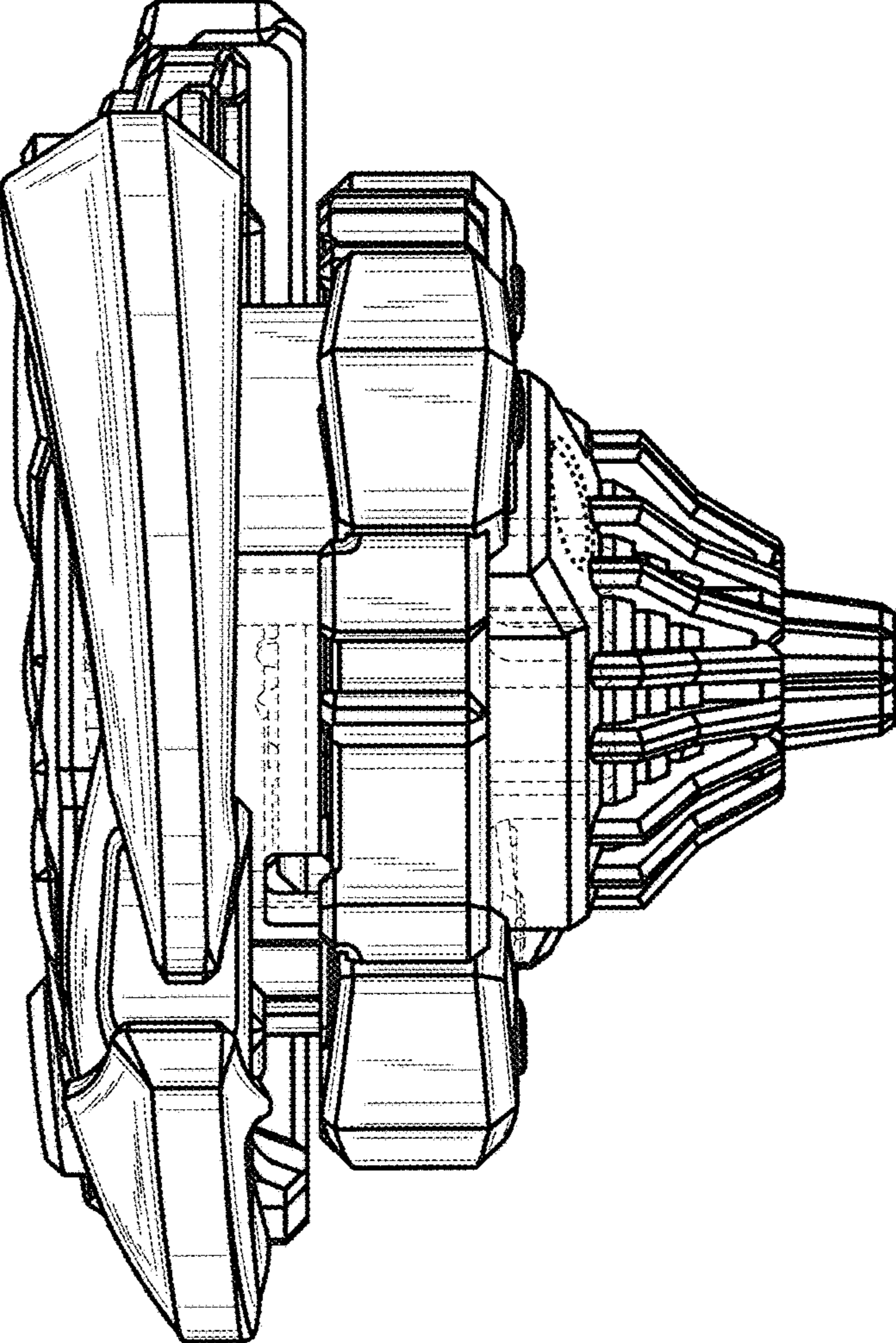


FIG. 4

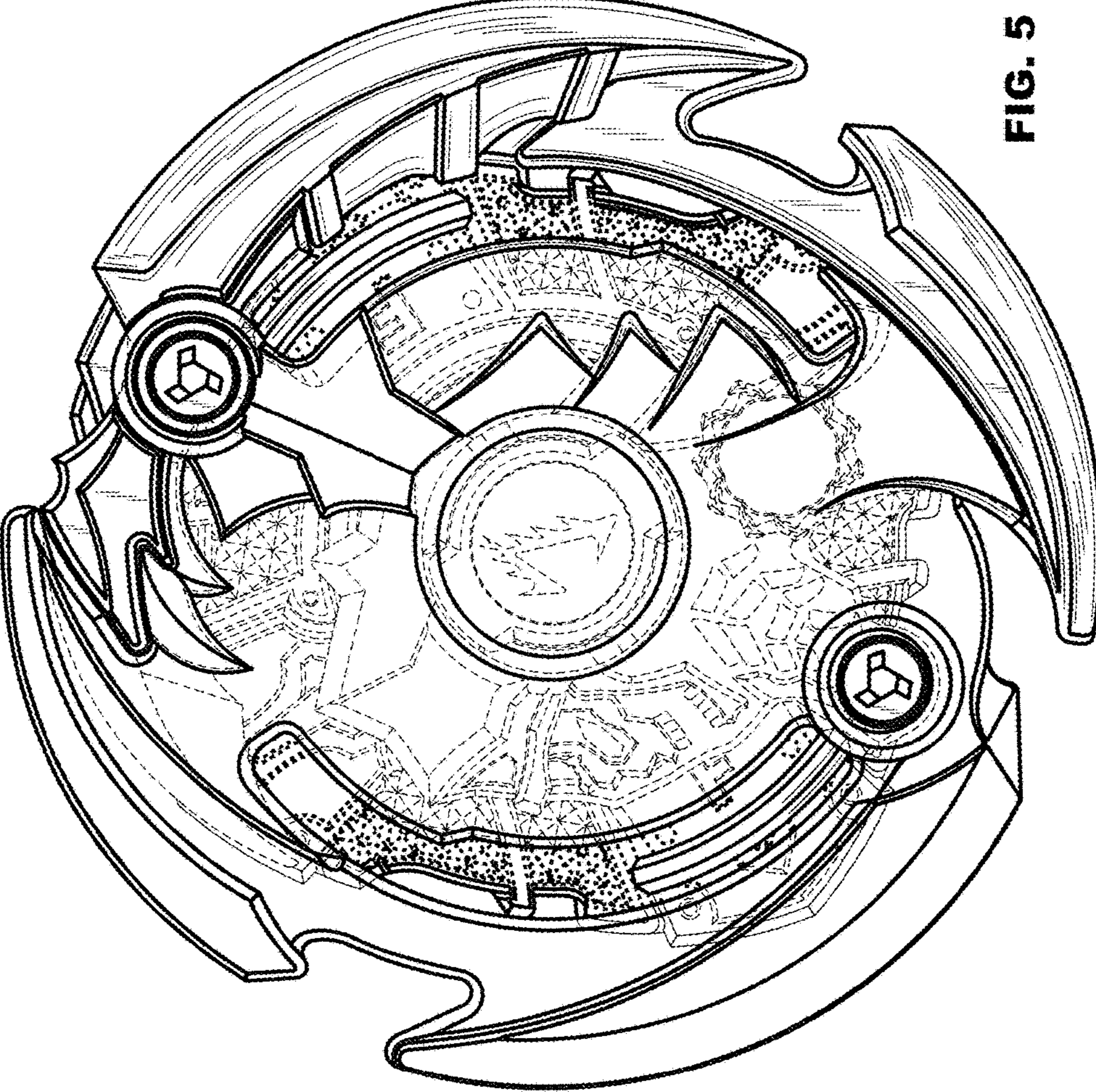


FIG. 5

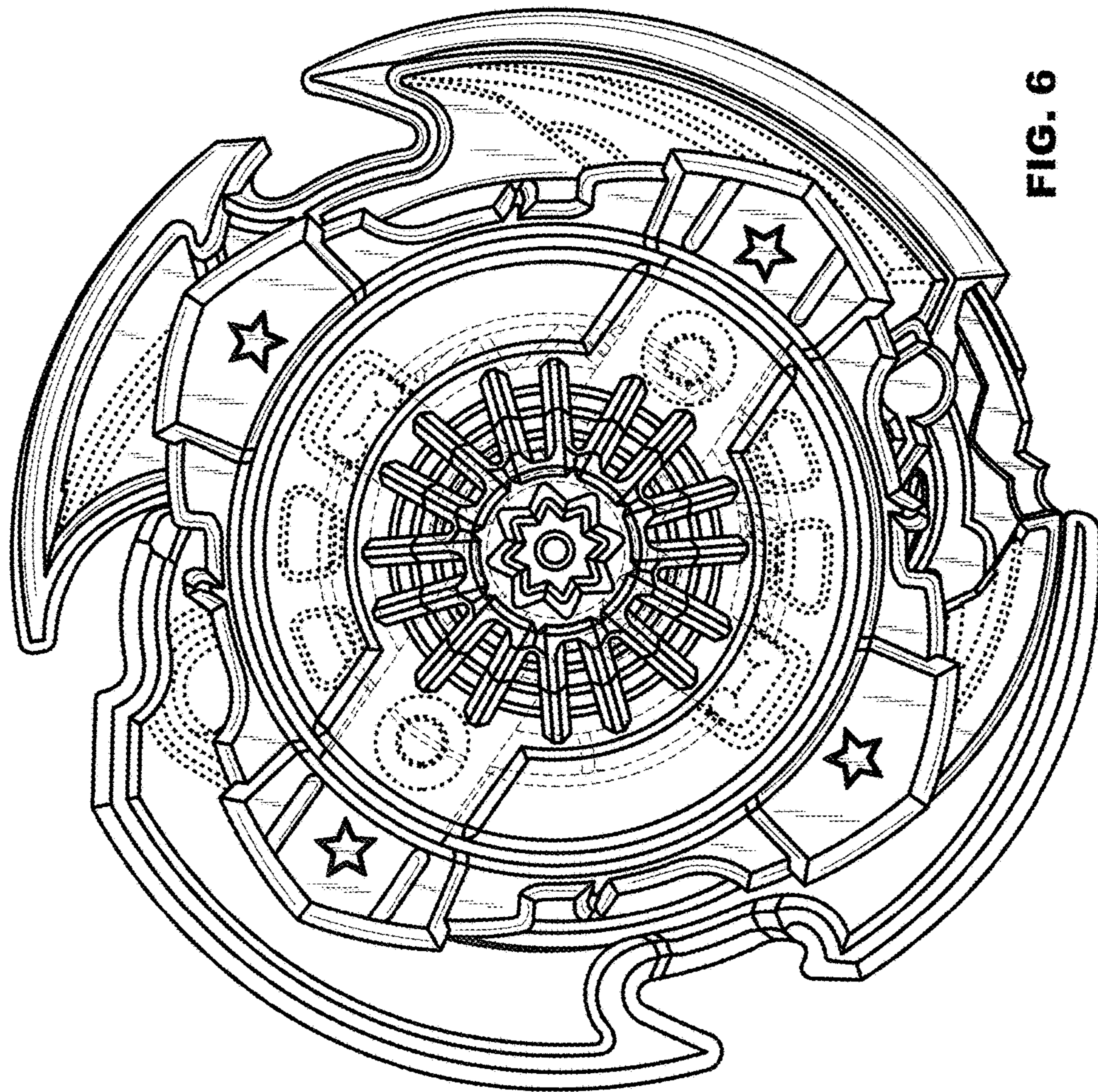


FIG. 6

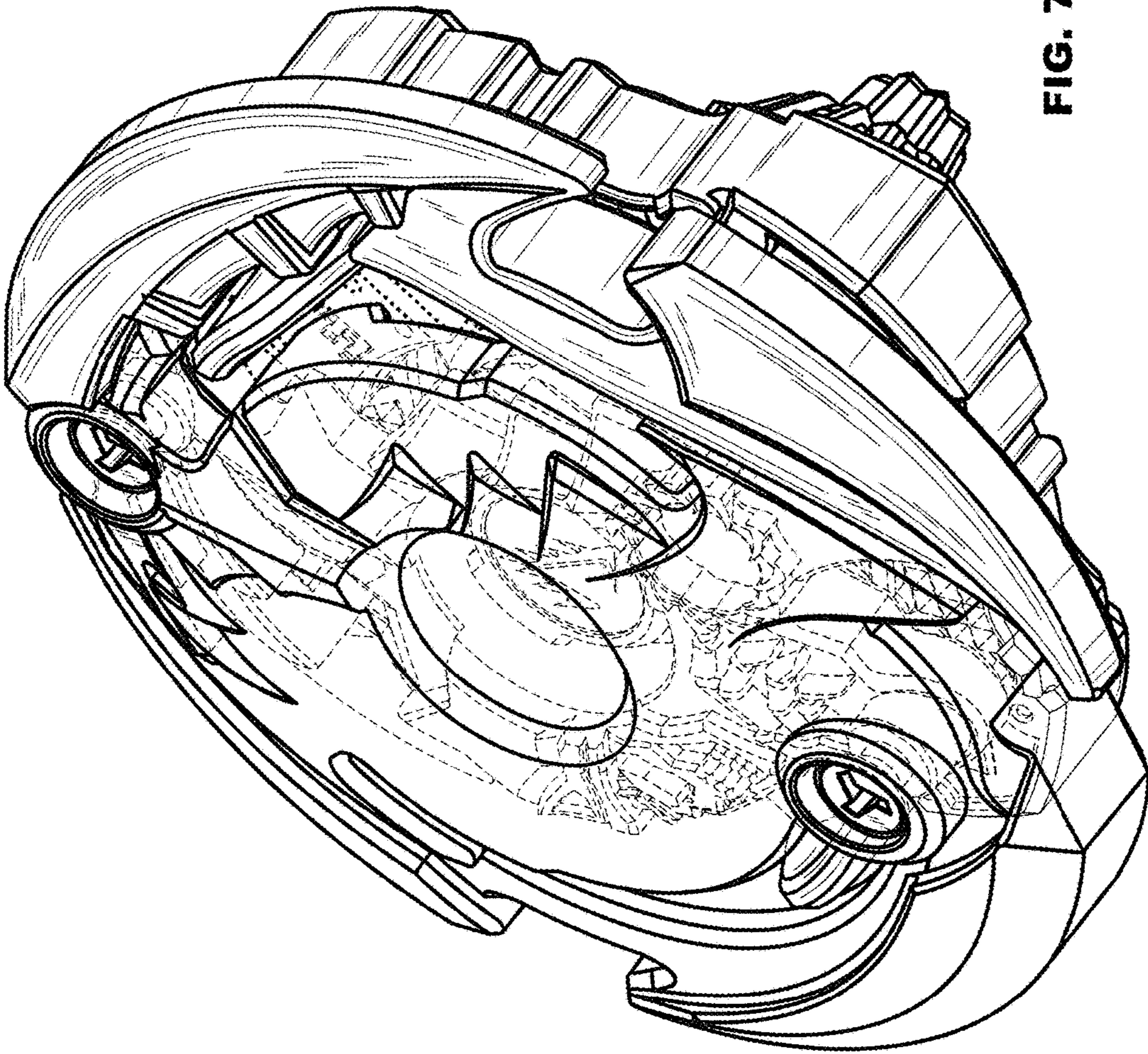


FIG. 7

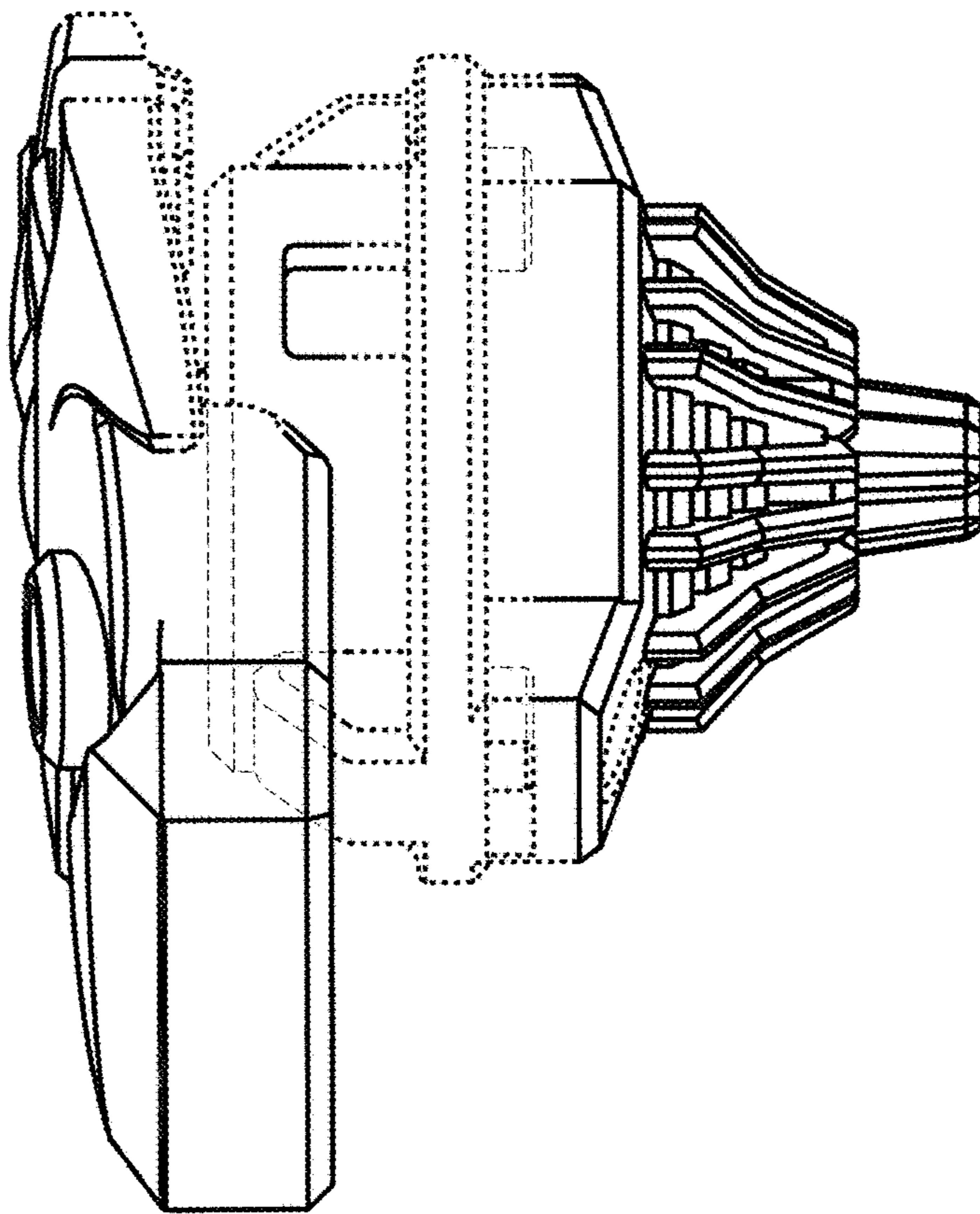


FIG. 8

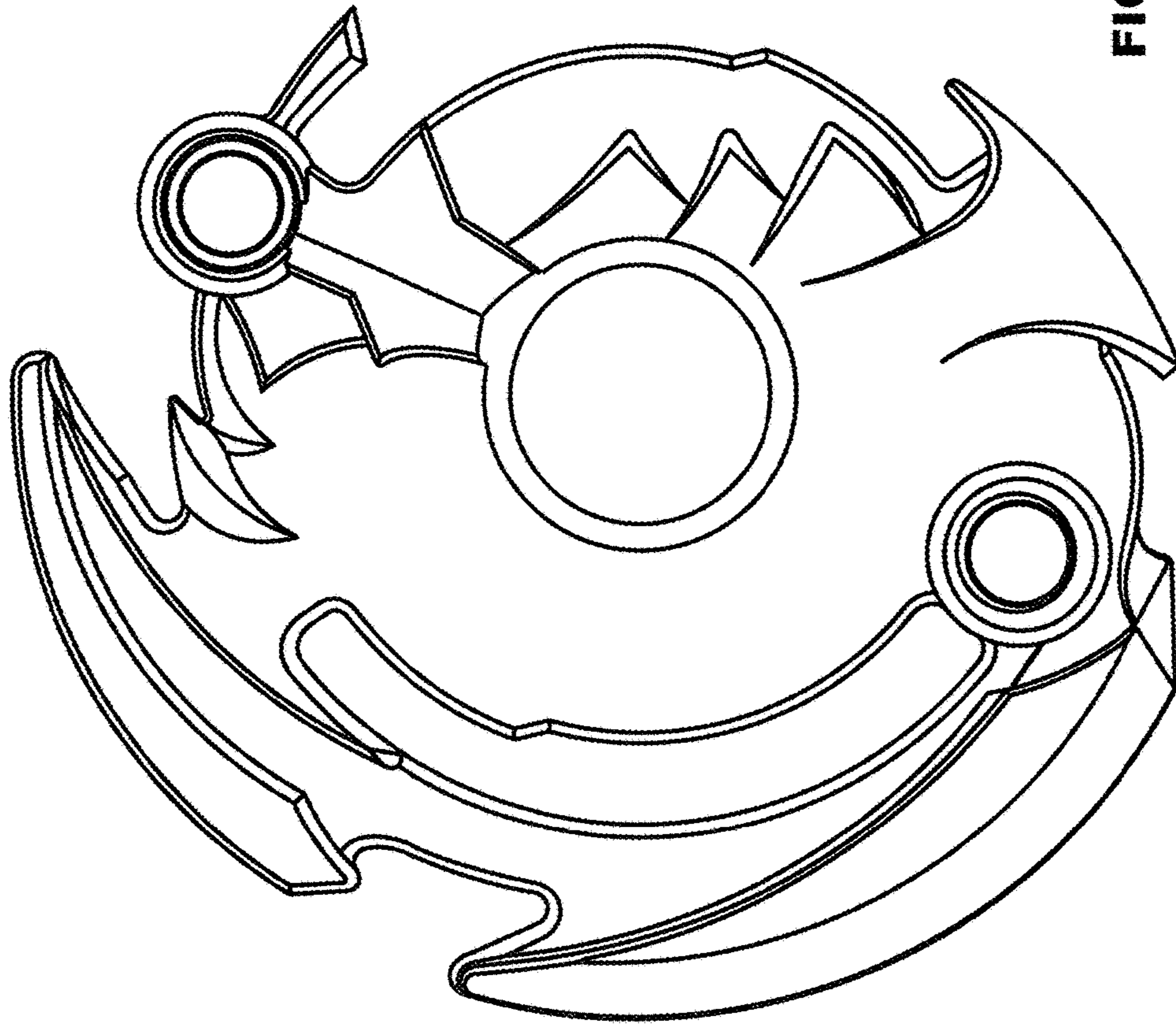


FIG. 9

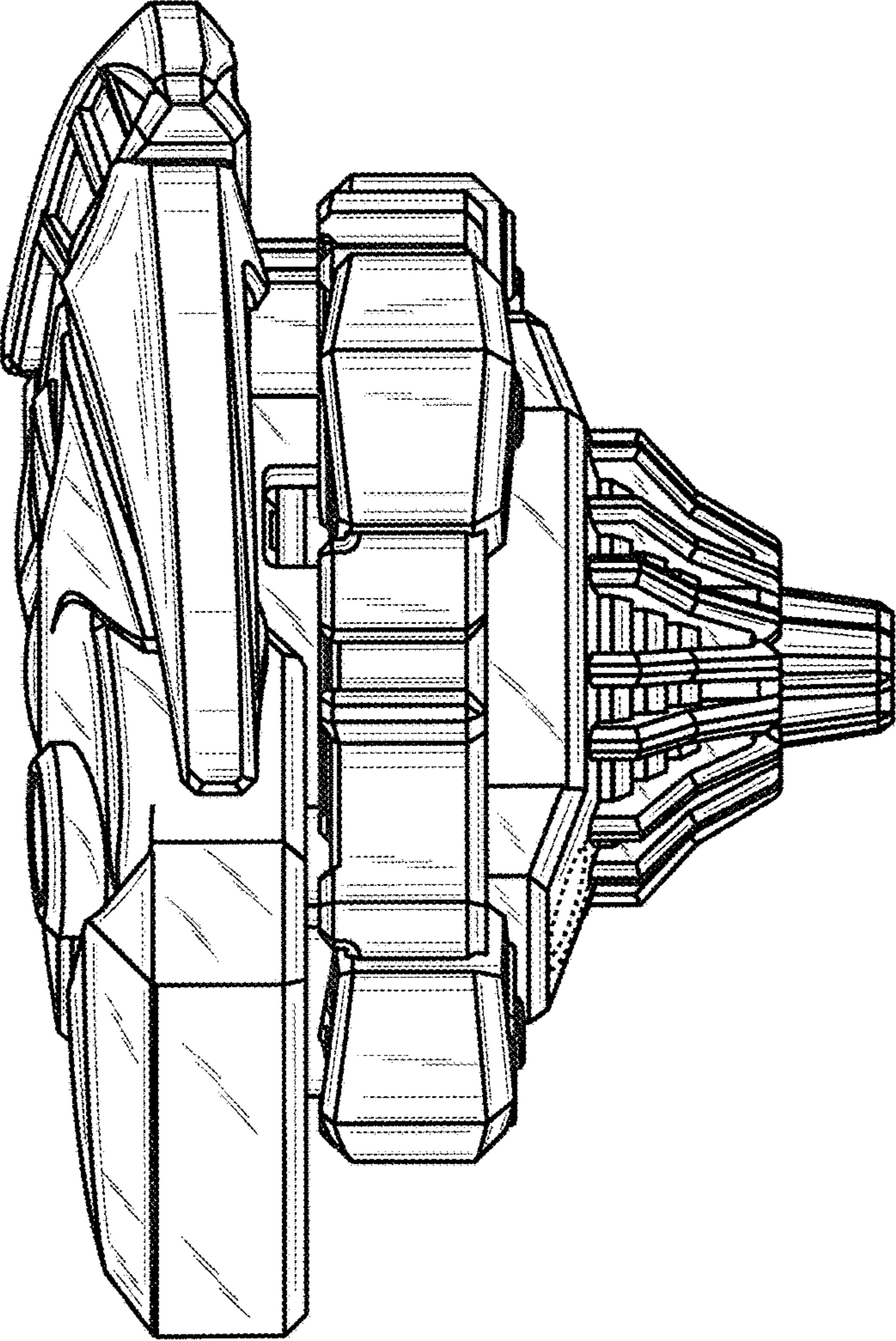


FIG. 10

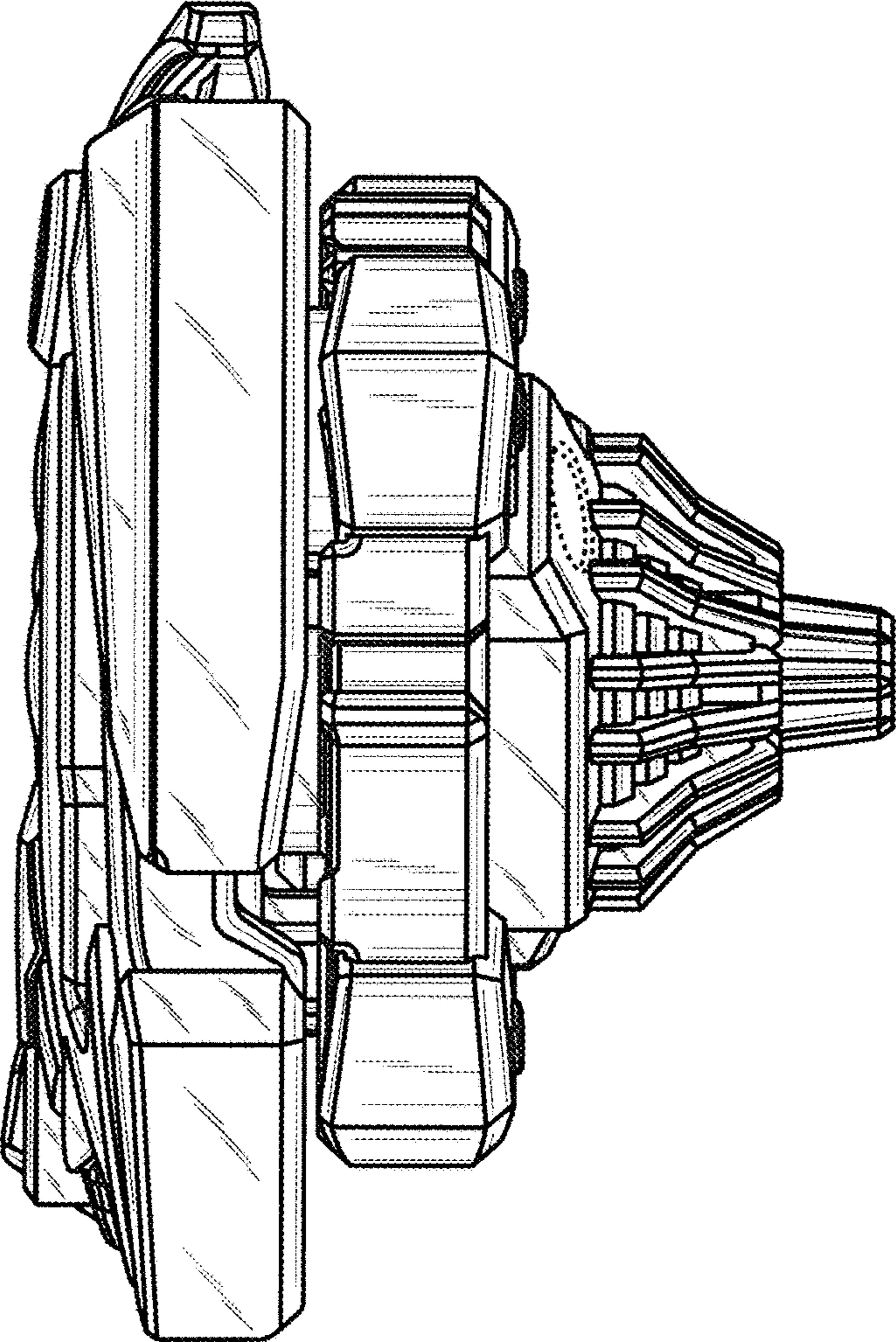


FIG. 11

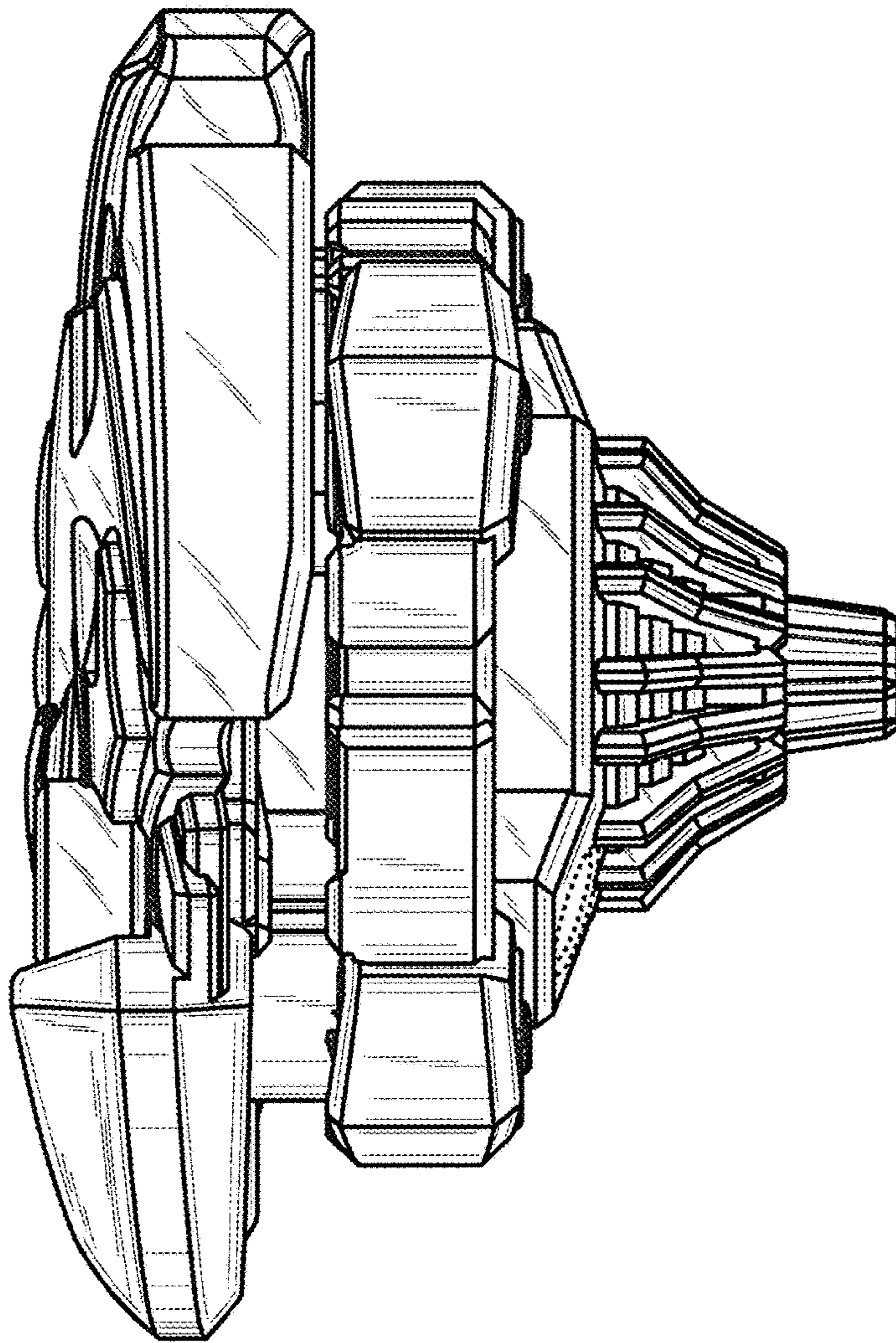


FIG. 12

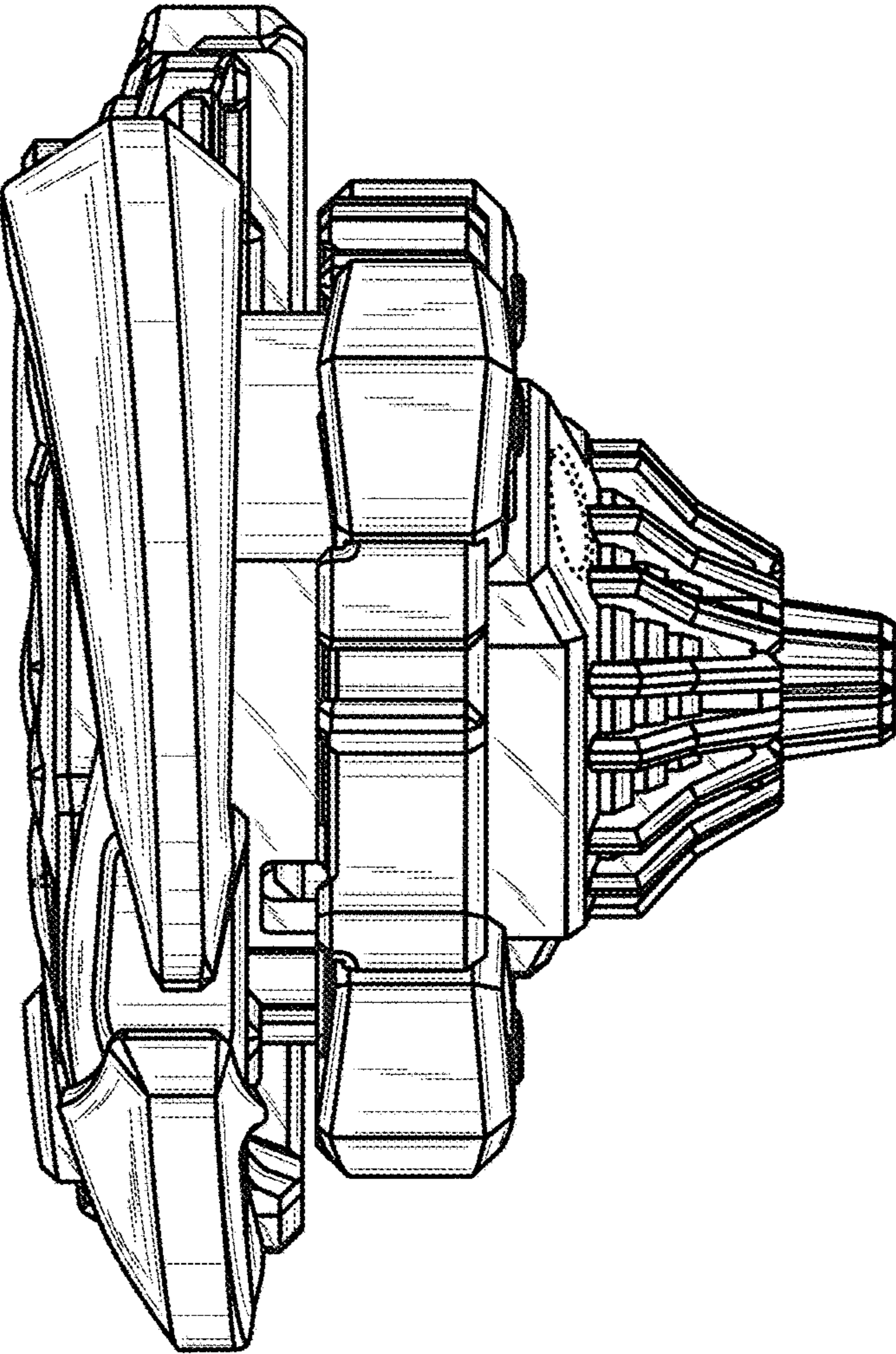


FIG. 13

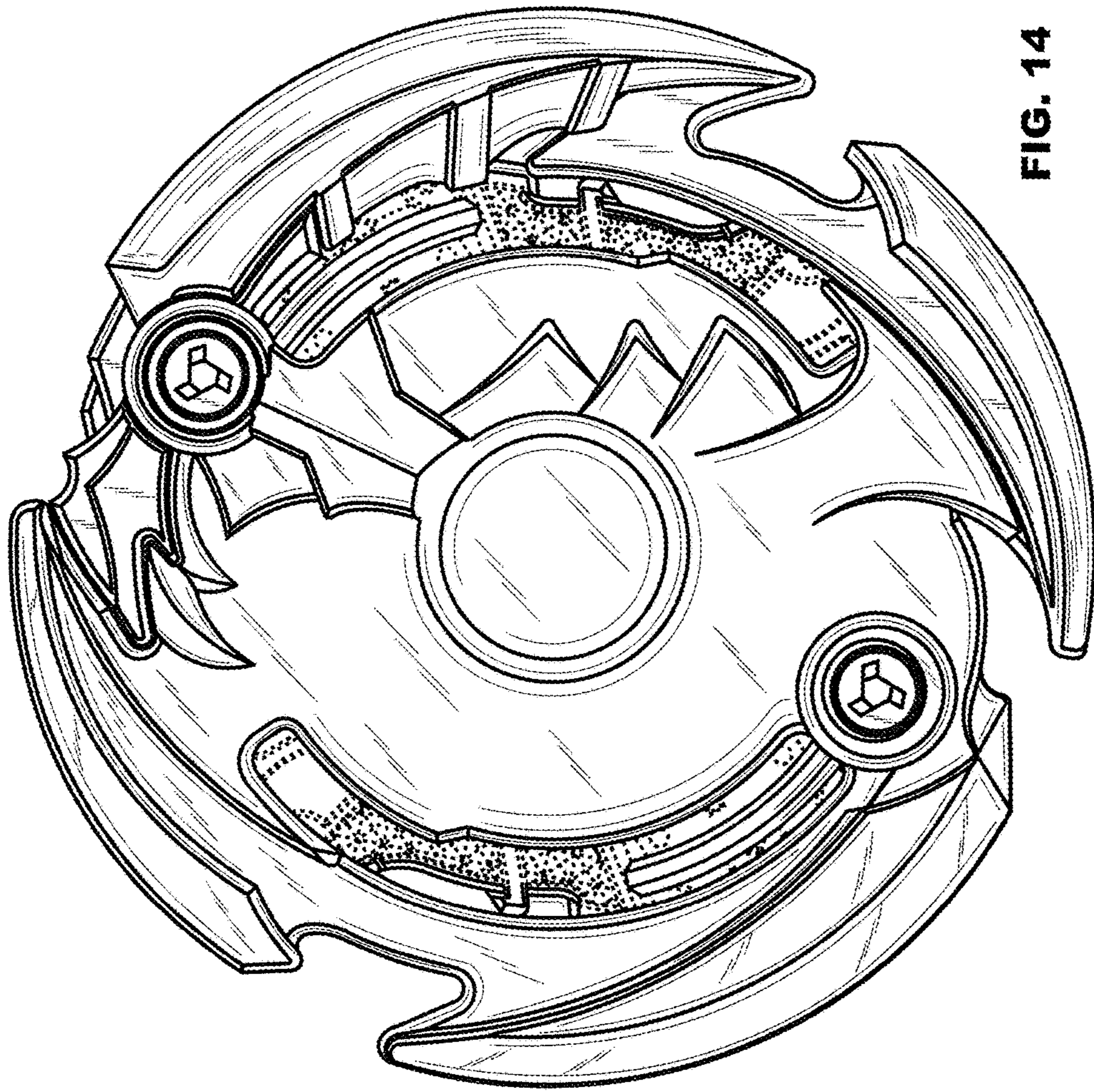


FIG. 14

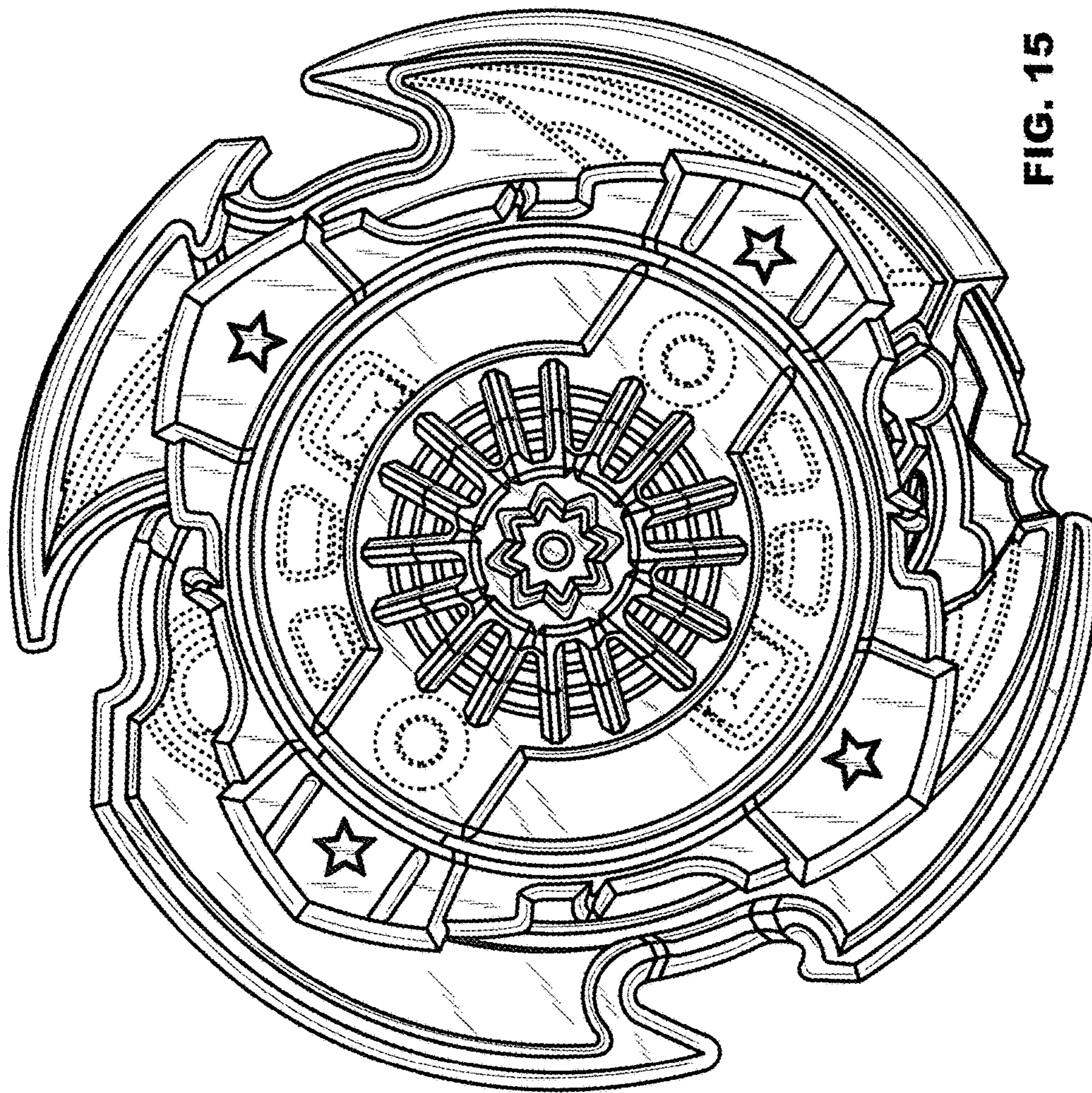


FIG. 15

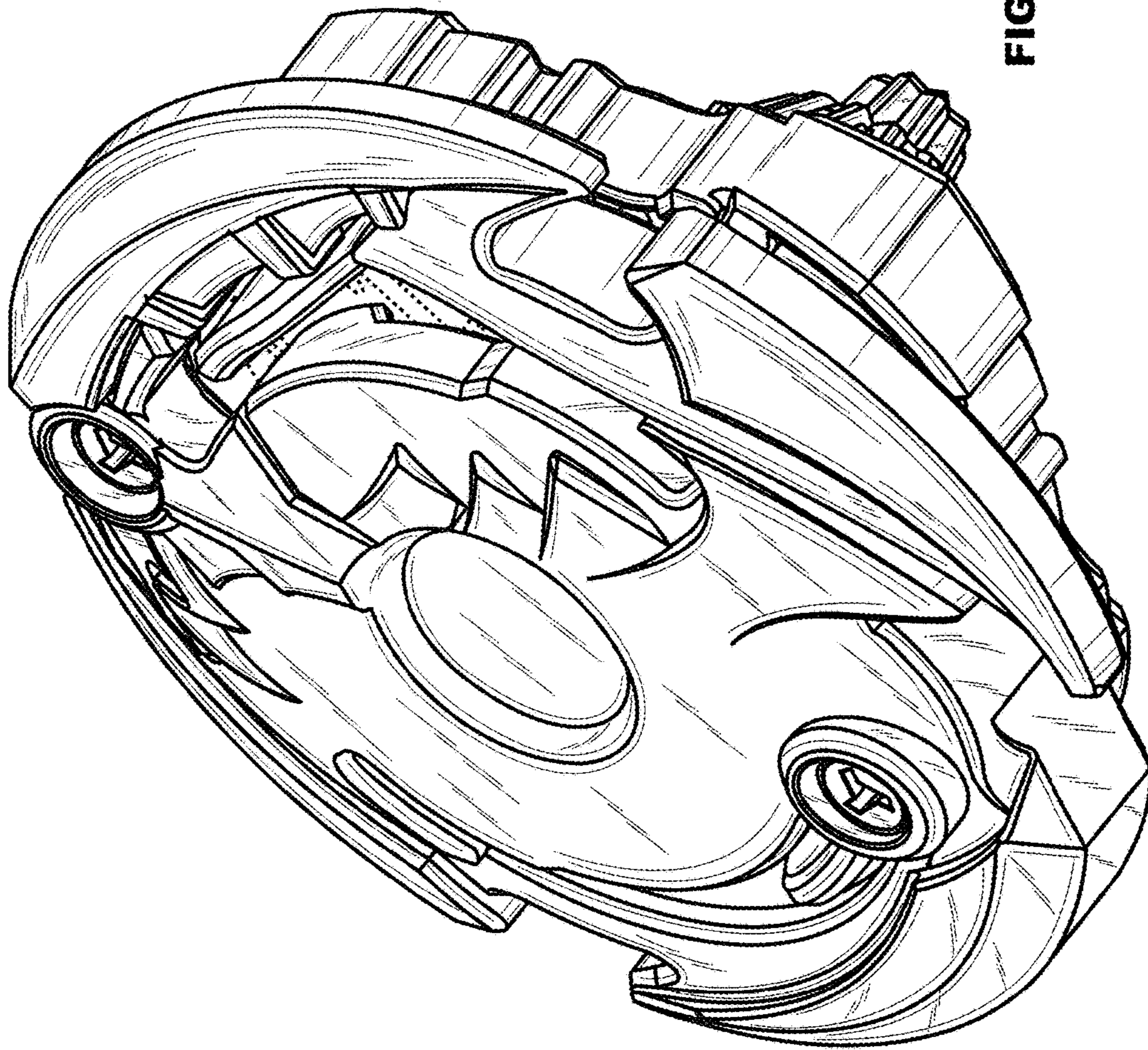


FIG. 16

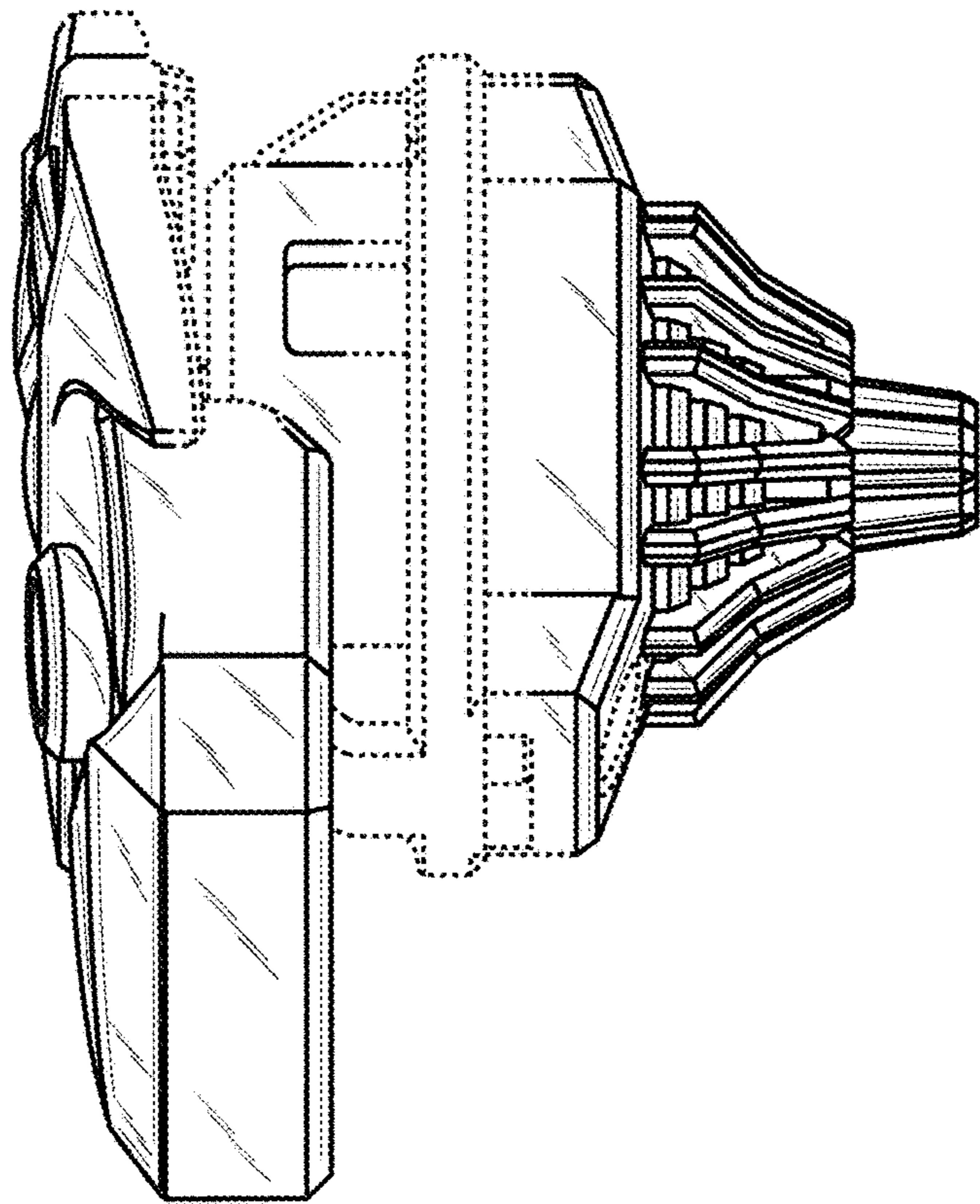


FIG. 17

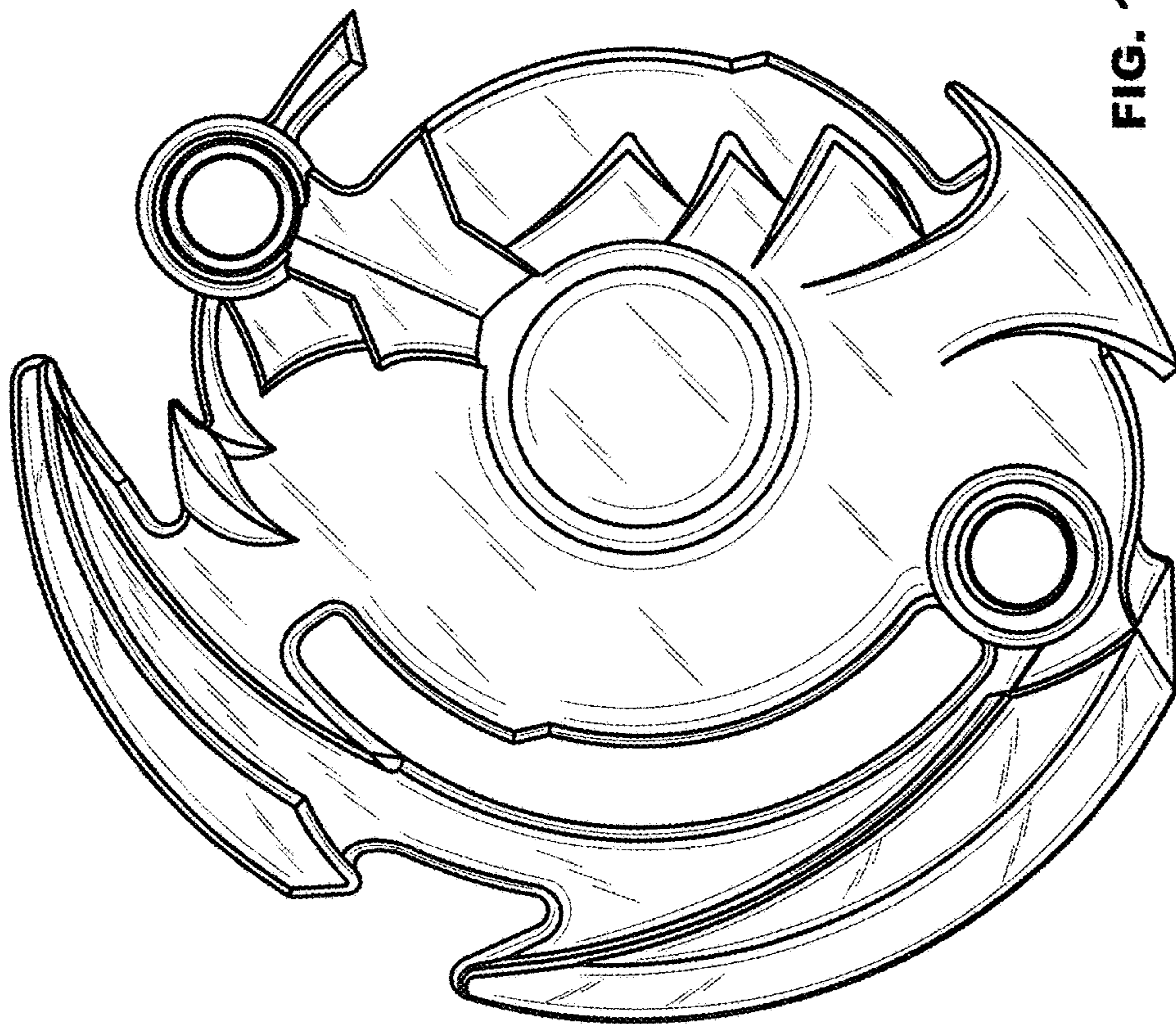


FIG. 18