



US00D846654S

(12) **United States Design Patent** (10) **Patent No.:** **US D846,654 S**  
**Van Eyndhoven et al.** (45) **Date of Patent:** **\*\* Apr. 23, 2019**

(54) **SCOOTER**

(71) Applicant: **BRAKE FORCE ONE GMBH**,  
Tubingen (DE)

(72) Inventors: **Adriaan Van Eyndhoven**, Stuttgart  
(DE); **Simone Bosatelli**, Stuttgart (DE)

(73) Assignee: **BRAKE FORCE ONE GMBH**,  
Tuebingen (DE)

(\*\*) Term: **15 Years**

(21) Appl. No.: **35/504,158**

(22) Filed: **Jun. 9, 2017**

(80) **Hague Agreement Data**

Int. Filing Date: **Jun. 9, 2017**

Int. Reg. No.: **DM/096900**

Int. Reg. Date: **Jun. 9, 2017**

Int. Reg. Pub. Date: **Dec. 15, 2017**

(30) **Foreign Application Priority Data**

Dec. 9, 2016 (EM) ..... 003509058-0001  
Dec. 9, 2016 (EM) ..... 003509058-0002  
Dec. 9, 2016 (EM) ..... 003509058-0003  
Dec. 9, 2016 (EM) ..... 003509058-0004  
Dec. 9, 2016 (EM) ..... 003509058-0005  
Dec. 9, 2016 (EM) ..... 003509058-0006  
Dec. 9, 2016 (EM) ..... 003509058-0007  
Dec. 9, 2016 (EM) ..... 003509058-0008

(Continued)

(51) **LOC (11) Cl.** ..... **12-11**

(52) **U.S. Cl.**  
USPC ..... **D21/423**

(58) **Field of Classification Search**  
USPC ..... **D12/1, 107, 109, 110, 111, 112, 113;**  
**D21/419, 423**

(Continued)

(56) **References Cited**

U.S. PATENT DOCUMENTS

D452,284 S \* 12/2001 McGinnis ..... D21/423  
D671,600 S \* 11/2012 Home ..... D21/423

(Continued)

*Primary Examiner* — George D. Kirschbaum

*Assistant Examiner* — Joseph J Kukella

(74) *Attorney, Agent, or Firm* — Collard & Roe, P.C.

(57) **CLAIM**

The ornamental design for a scooter, as shown and described.

**DESCRIPTION**

The file of this patent contains at least one drawing/photograph executed in color. Copies of this patent with color drawing(s)/photograph(s) will be provided by the Office upon request and payment of the necessary fee.

1.-10.5. Scooter

1.1 : Top

1.2 : Left side

1.3 : Right side

1.4 : Perspective

1.5 : Front

3.0 : Perspective

4.0 : Left side

5.1 : Front

5.2 : Perspective

5.3 : Right side

5.4 : Top

5.5 : Left side

7.0 : Perspective

8.0 : Left side

10.1 : Front

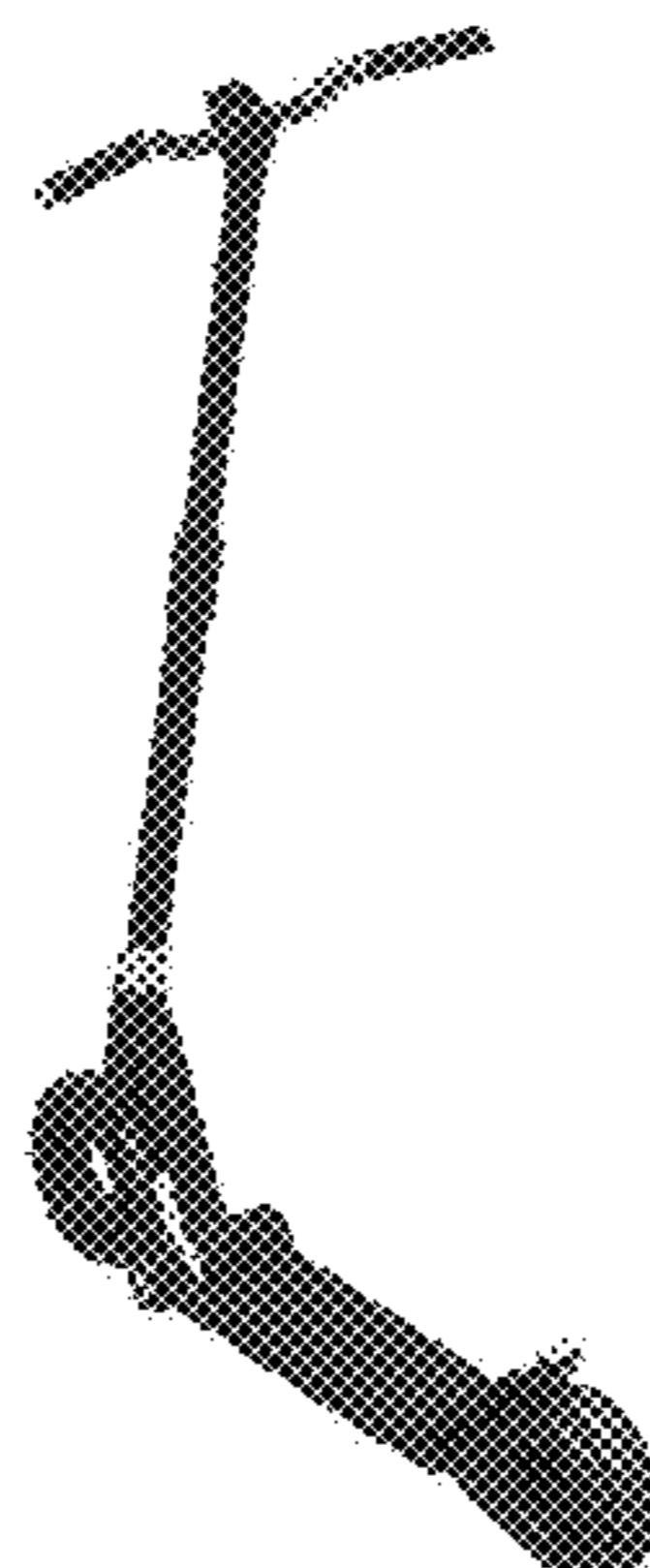
10.2 : Right side

10.3 : Left side

10.4 : Perspective

10.5 : Top

**1 Claim, 19 Drawing Sheets**  
**(5 of 19 Drawing Sheet(s) Filed in Color)**



(30) **Foreign Application Priority Data**

Dec. 9, 2016 (EM) ..... 003509058-0009  
Dec. 9, 2016 (EM) ..... 003509058-00010  
Dec. 9, 2016 (EM) ..... 003509058-00011  
Dec. 9, 2016 (EM) ..... 003509058-00012  
Dec. 9, 2016 (EM) ..... 003509058-00013  
Dec. 9, 2016 (EM) ..... 003509058-00014  
Dec. 9, 2016 (EM) ..... 003509058-00015  
Dec. 9, 2016 (EM) ..... 003509058-00016  
Dec. 9, 2016 (EM) ..... 003509058-00017  
Dec. 9, 2016 (EM) ..... 003509058-00018  
Dec. 9, 2016 (EM) ..... 003509058-00019  
Dec. 9, 2016 (EM) ..... 003509058-00020  
Dec. 9, 2016 (EM) ..... 003509058-00021  
Dec. 9, 2016 (EM) ..... 003509058-00022  
Dec. 9, 2016 (EM) ..... 003509058-00023

(58) **Field of Classification Search**

CPC ... B62K 9/00; B62K 3/00; B62K 3/02; B62K  
3/04; B62K 3/06; B62K 3/08; B62K

3/10; B62K 11/00; B62K 11/007; B62B  
7/00; B62B 7/006; B62B 7/04; B62B  
7/06; B62B 7/10; B62B 7/14; B62B  
7/145; B62D 51/00; B62D 51/001; B62D  
51/02

See application file for complete search history.

(56)

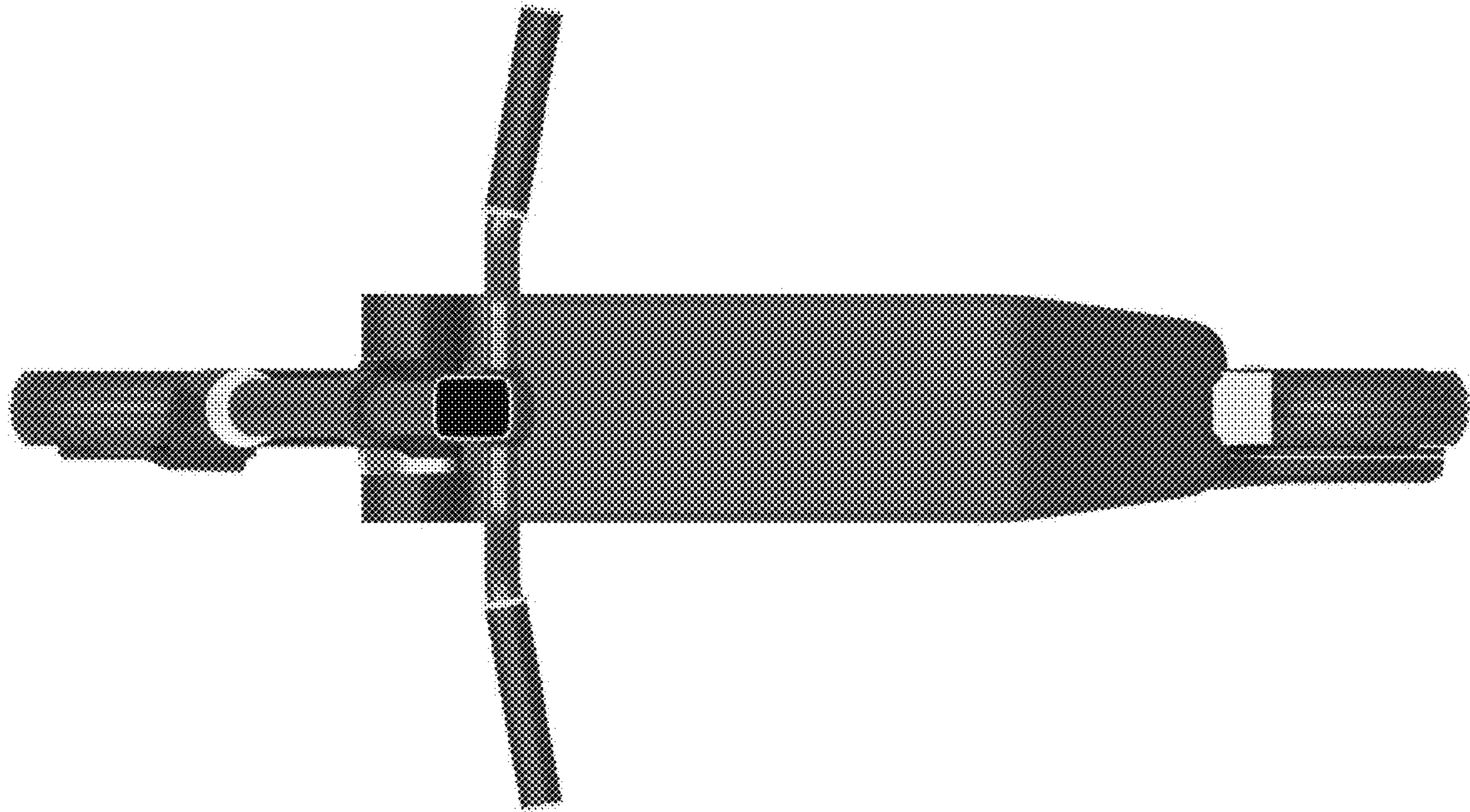
**References Cited**

U.S. PATENT DOCUMENTS

D691,671 S \* 10/2013 Chen ..... D21/423  
D692,963 S \* 11/2013 Radtke ..... D21/423  
D698,868 S \* 2/2014 Chan ..... D21/423  
D717,881 S \* 11/2014 Radtke ..... D21/423  
D738,435 S \* 9/2015 O'Connell ..... D21/423  
D772,990 S \* 11/2016 Allais ..... D21/423  
D806,176 S \* 12/2017 Peng ..... D21/423  
D815,215 S \* 4/2018 Desberg ..... D21/423  
D818,541 S \* 5/2018 Huang ..... D21/423  
D827,036 S \* 8/2018 Sebban ..... D21/423

\* cited by examiner

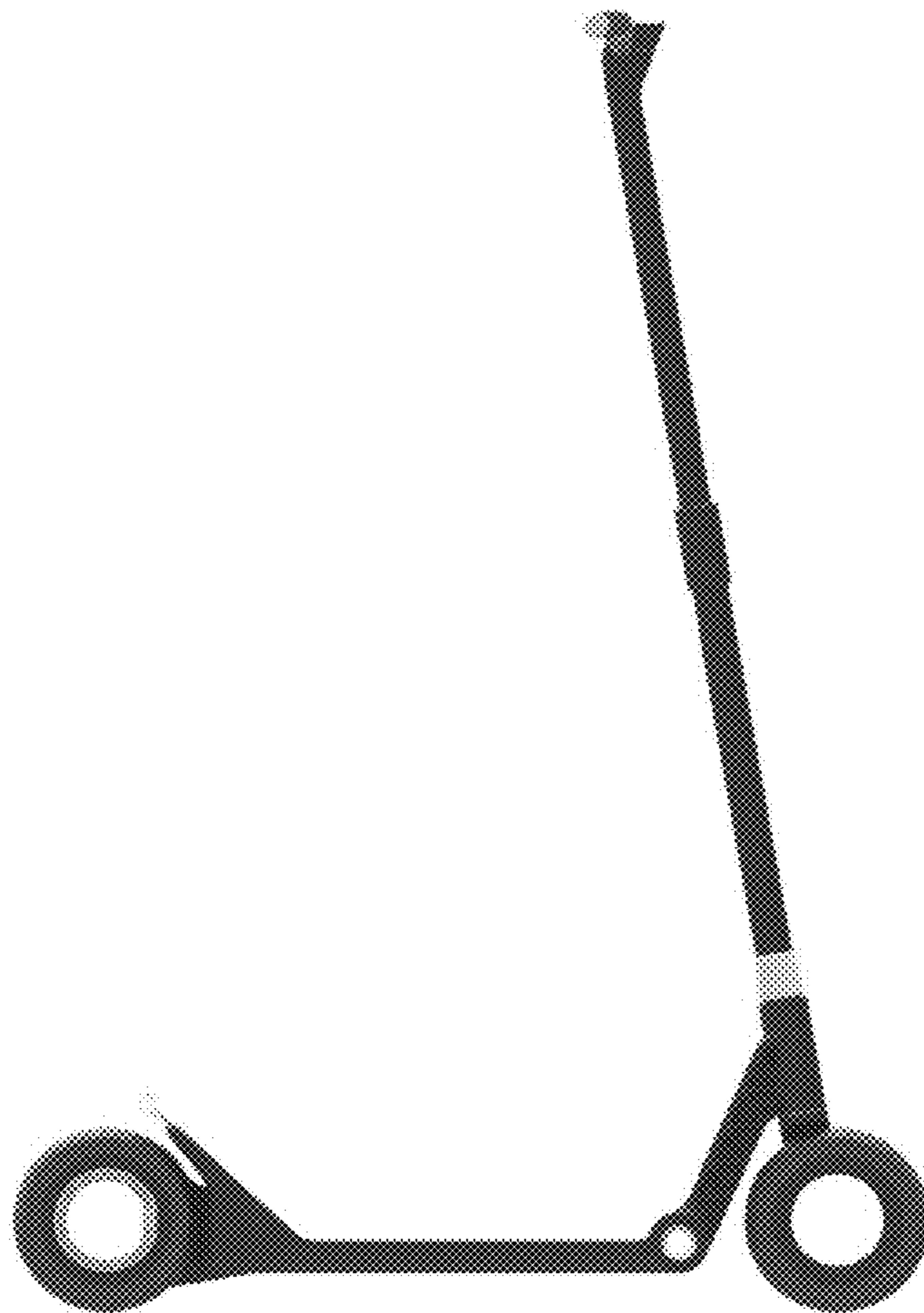
1.1



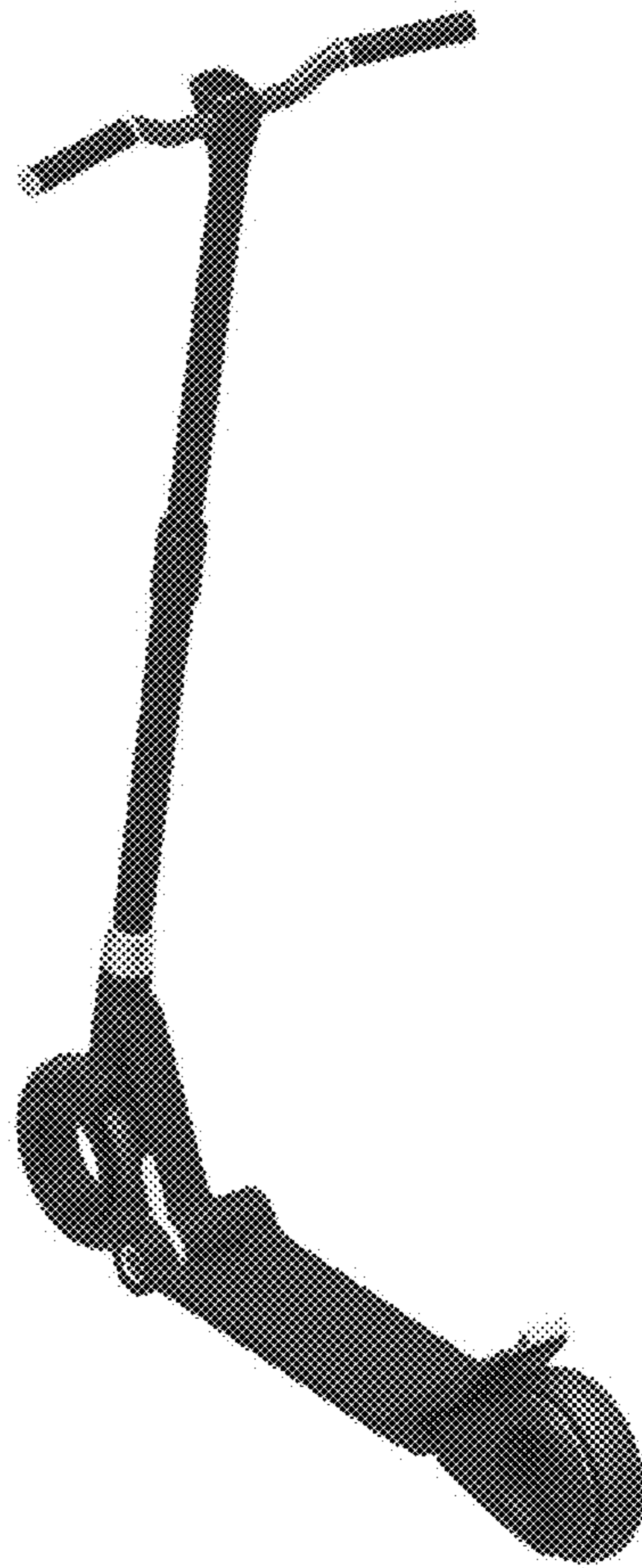
1.2

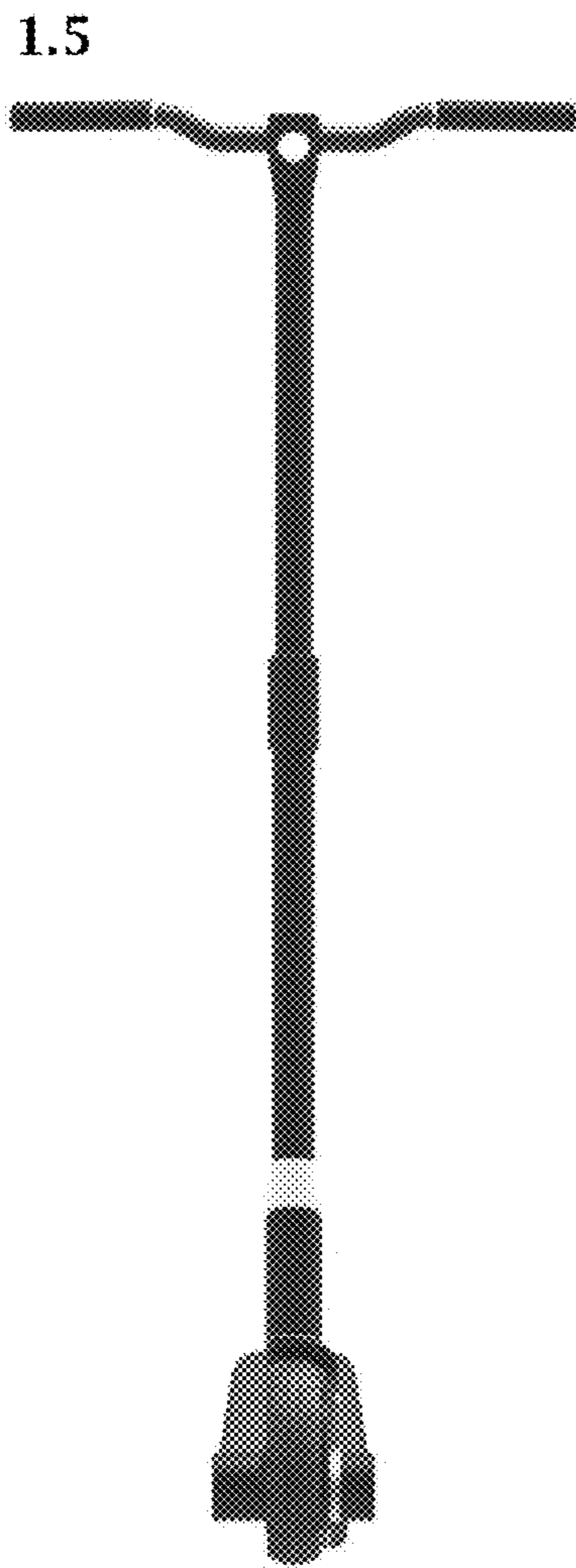


1.3

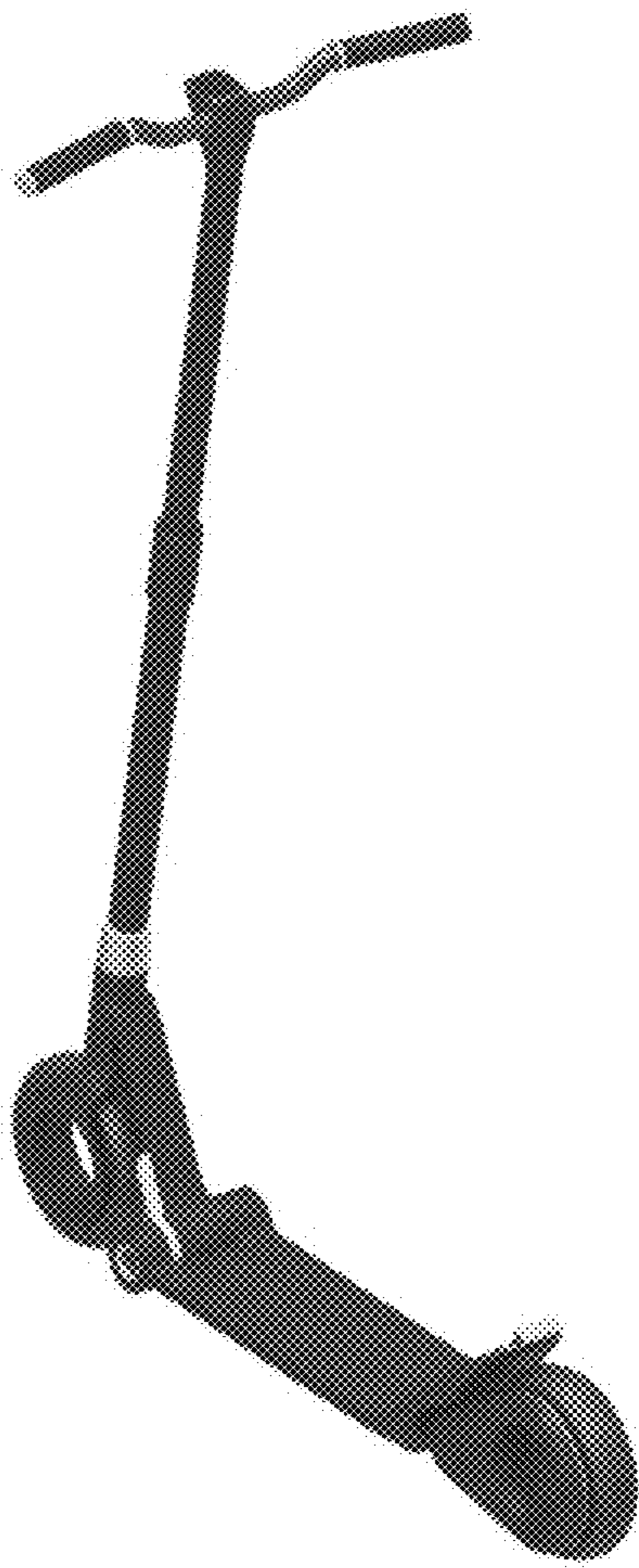


1.4





3.0

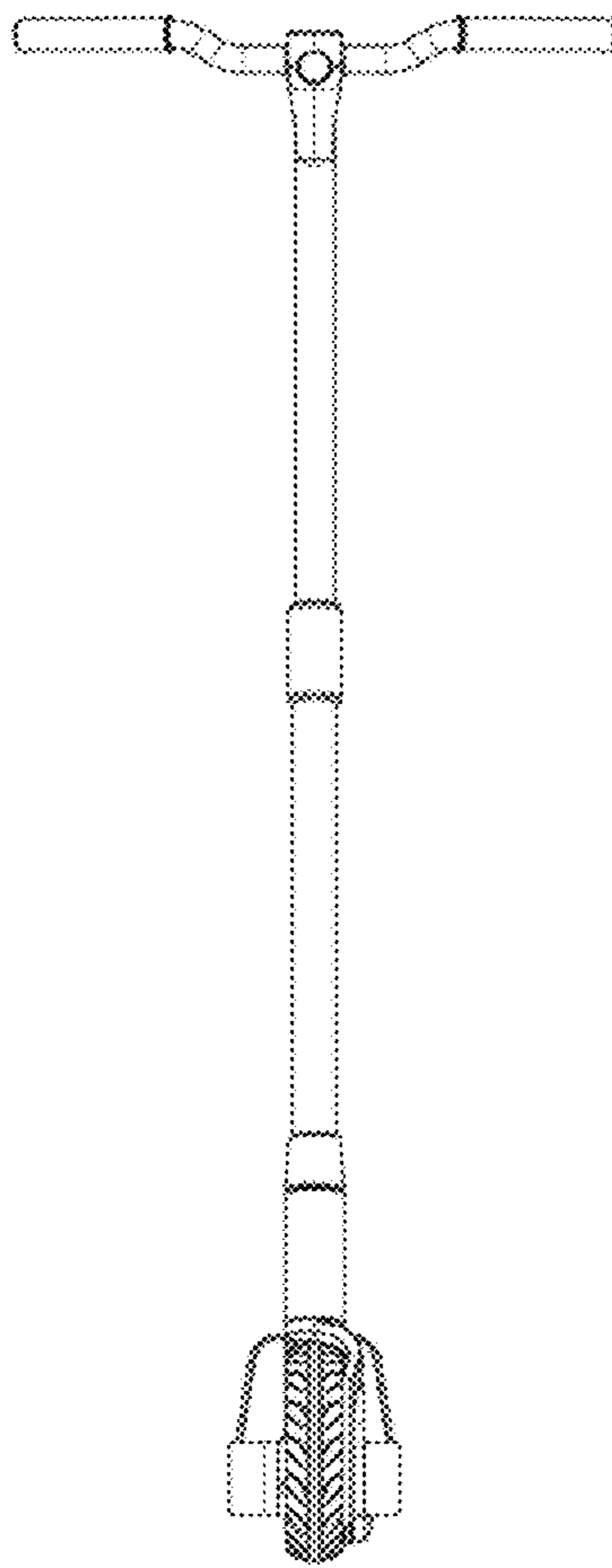




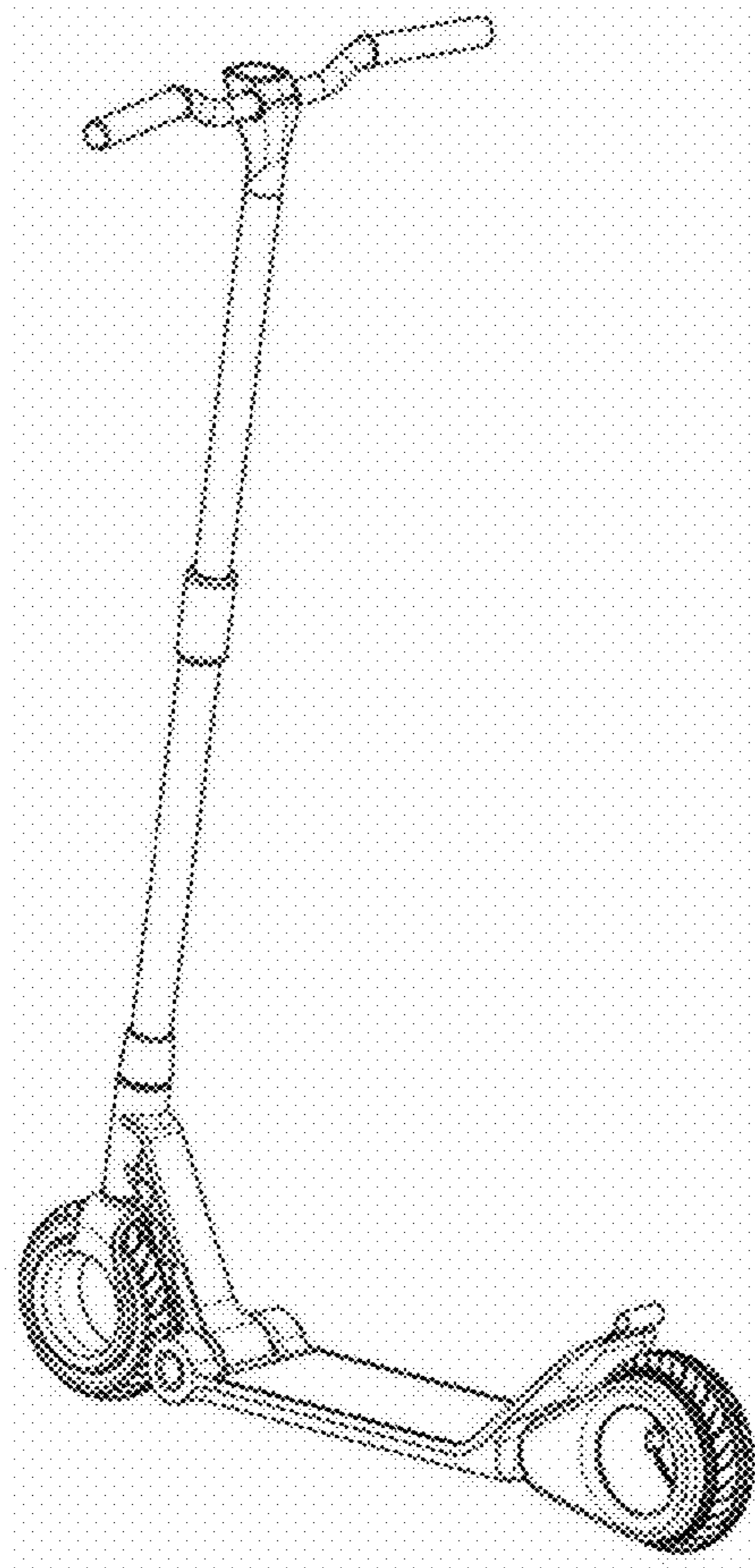
4.0



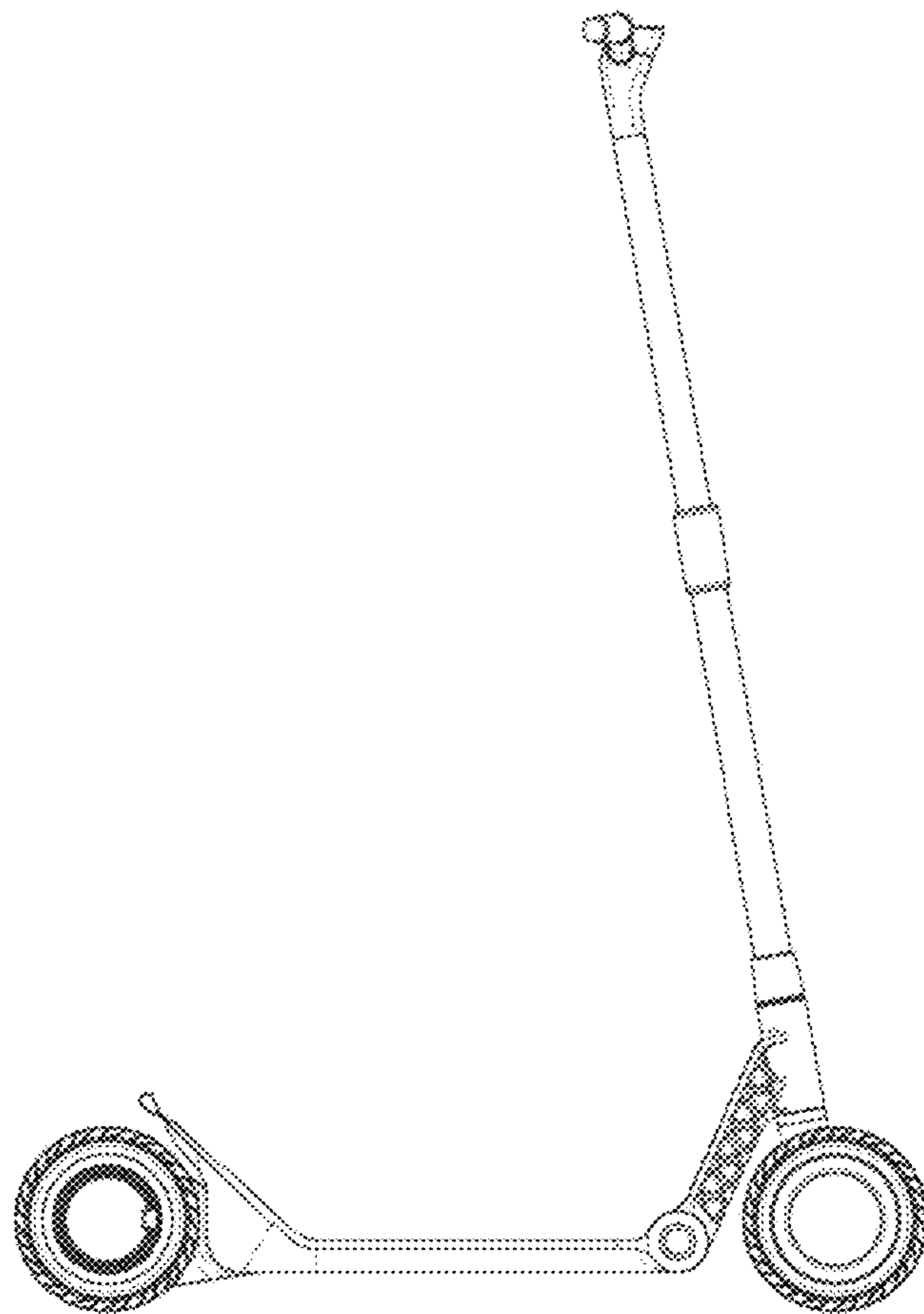
5.1



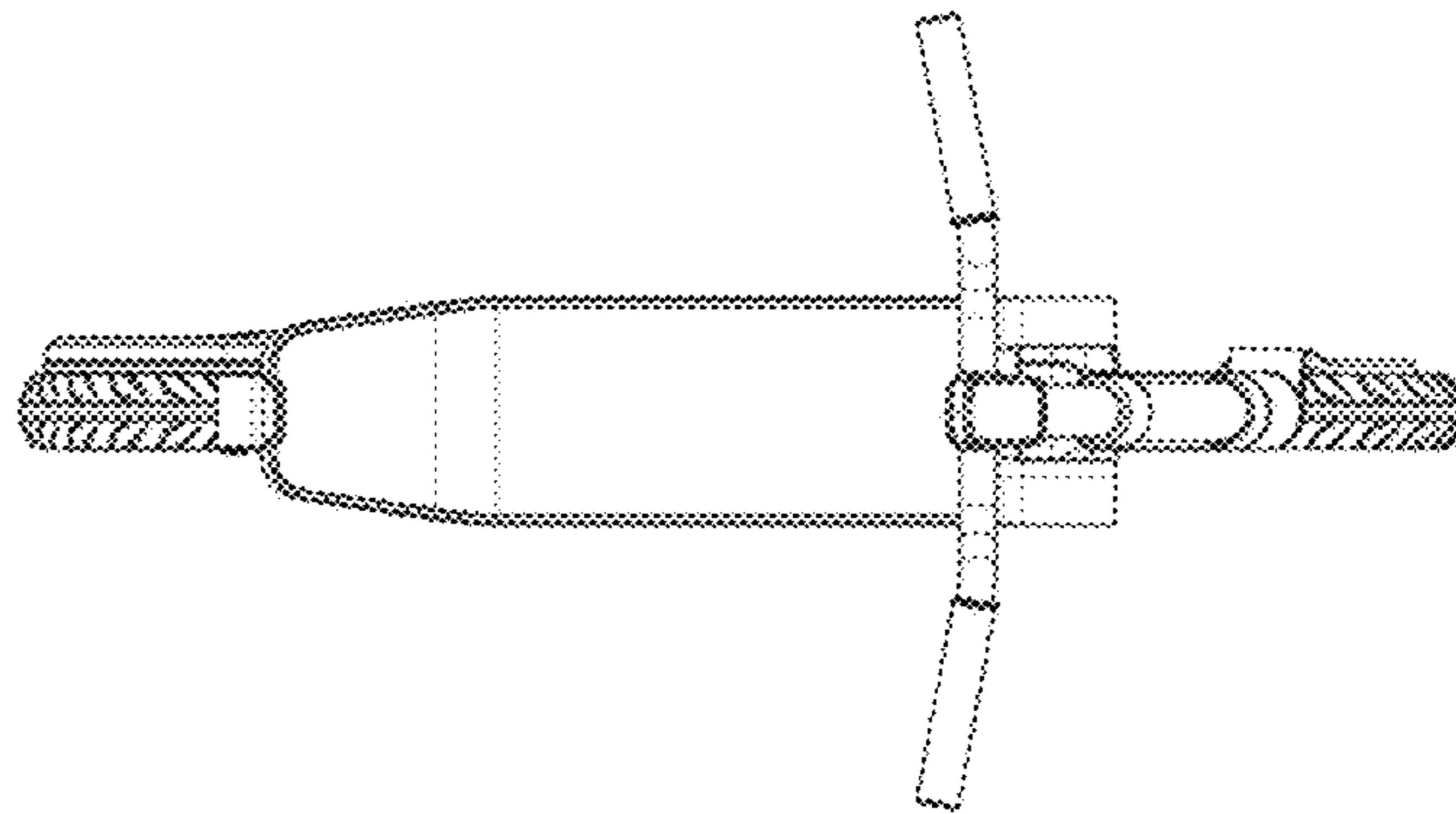
5.2



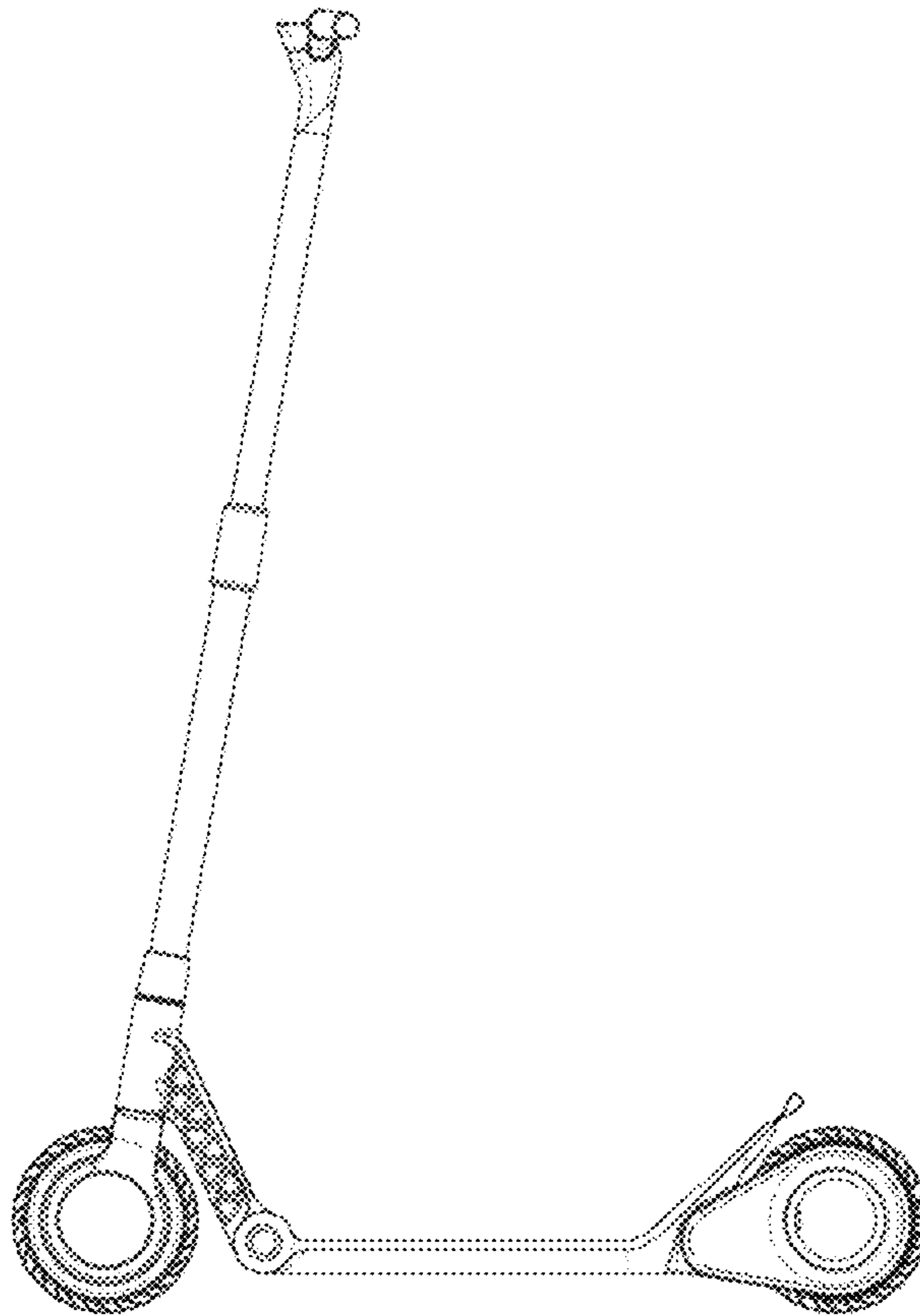
5.3



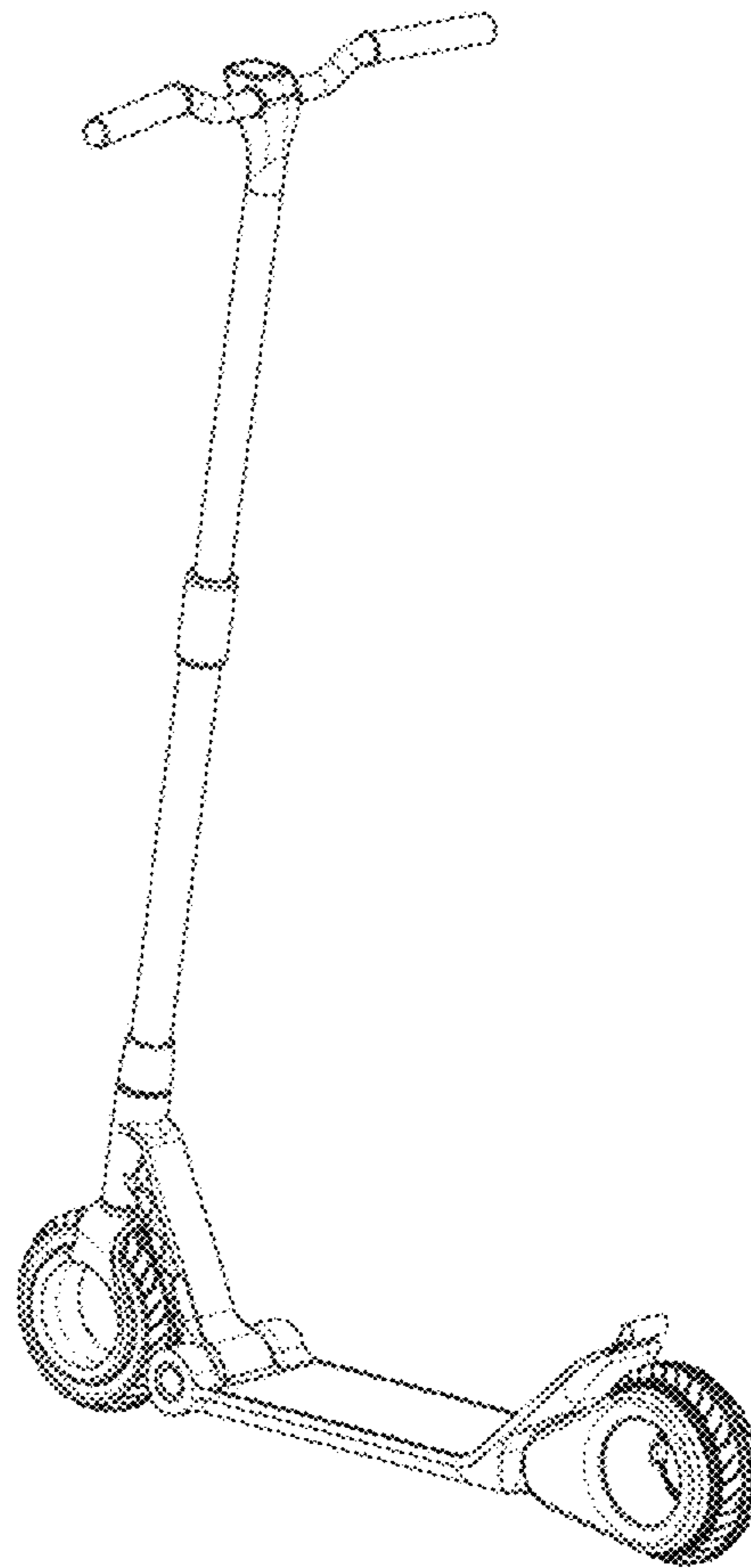
5.4



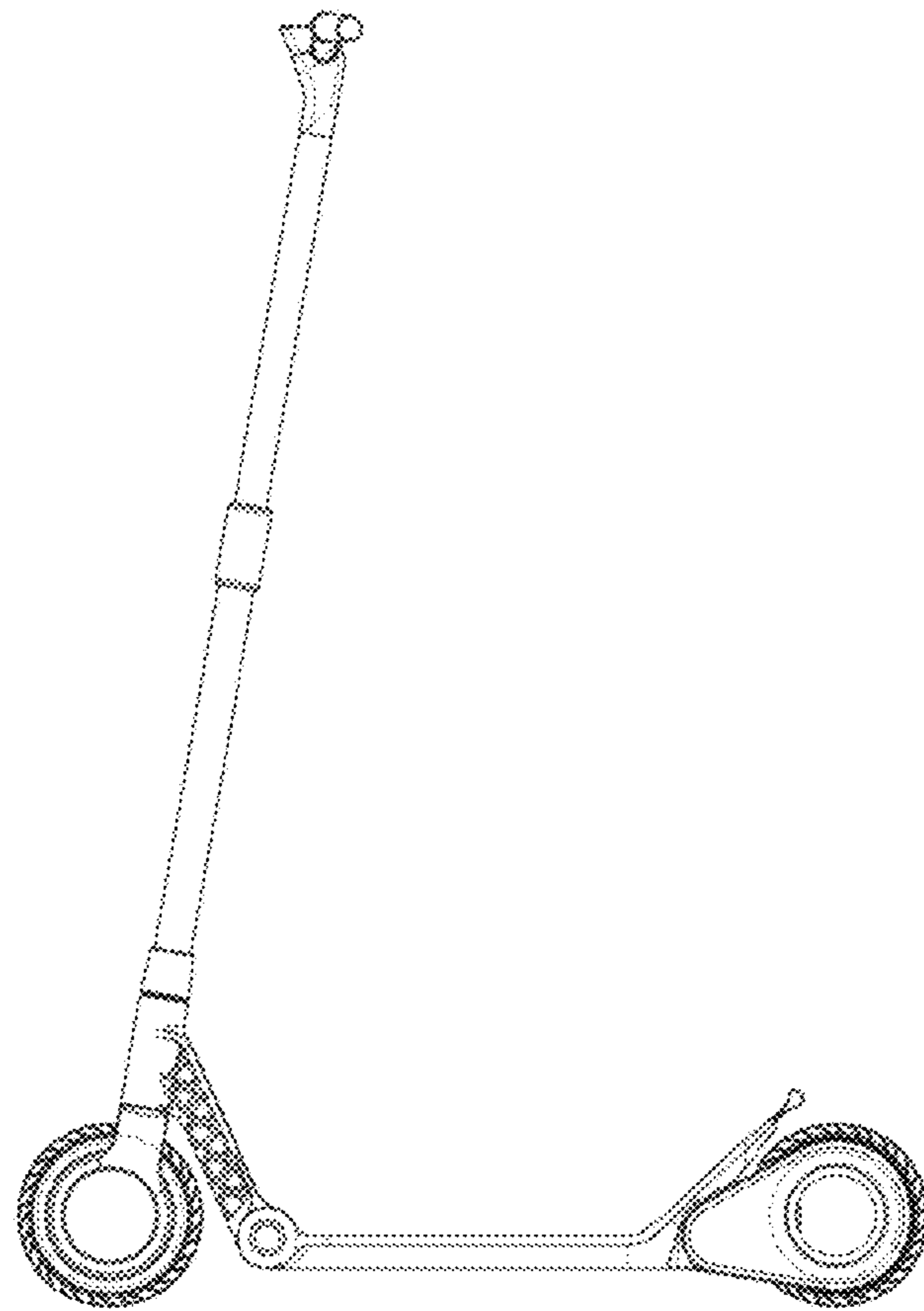
5.5



7.0

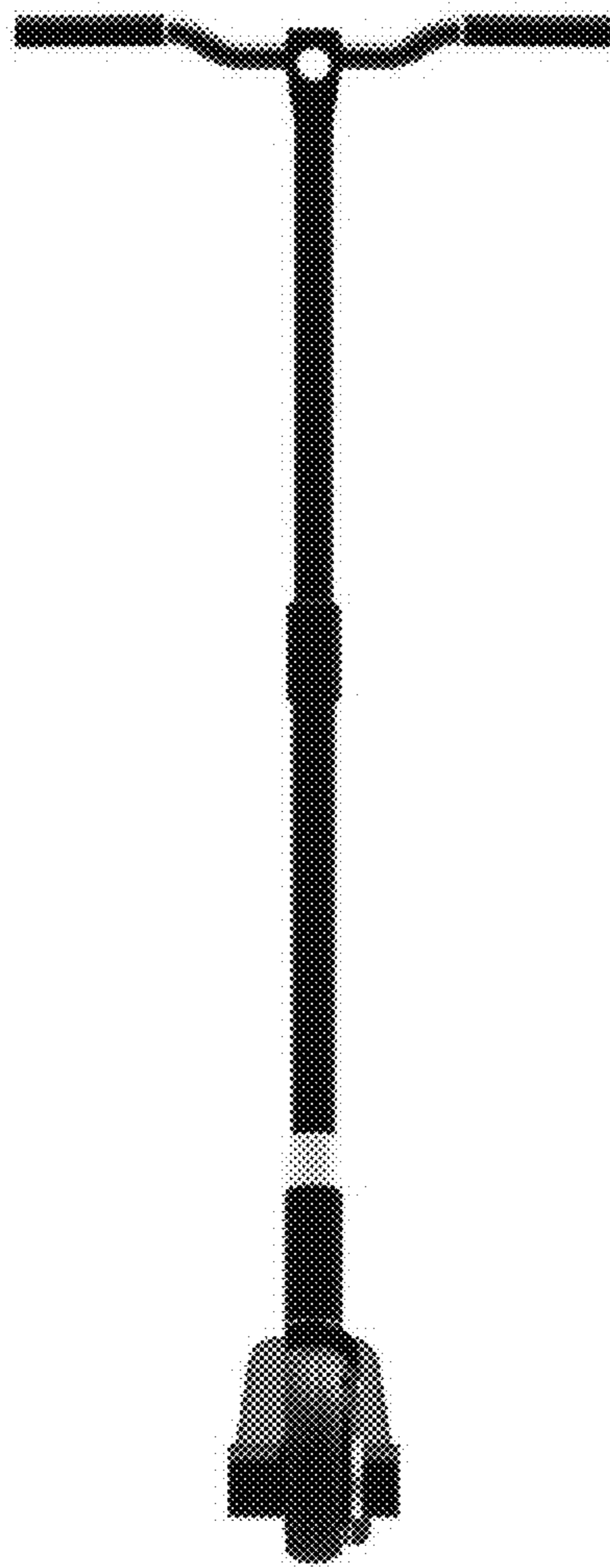


8.0





10.1



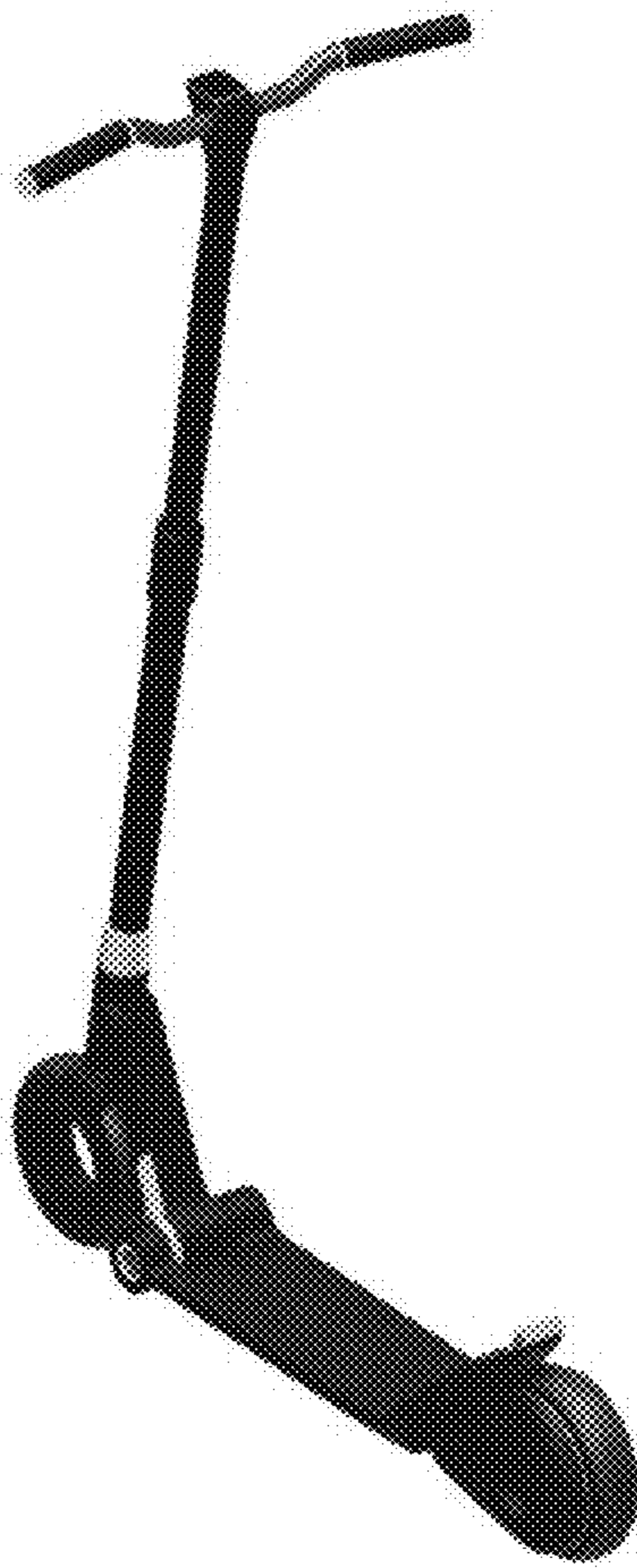
10.2



10.3



10.4



10.5

