



US00D846653S

(12) **United States Design Patent**
Dyer et al.

(10) **Patent No.:** **US D846,653 S**
(45) **Date of Patent:** **** Apr. 23, 2019**

(54) **TOY SURPRISE CAPSULE**

2009/0049; A63F 2009/0053; A63F
2009/0058; A63F 2009/0063; A63F
2009/007

(71) Applicant: **MGA Entertainment, Inc.**, Van Nuys,
CA (US)

See application file for complete search history.

(72) Inventors: **Ian A. Dyer**, Burbank, CA (US); **Philip Ho**, South Pasadena, CA (US); **Blanche Consorti**, Los Angeles, CA (US); **Paula Garcia**, Burbank, CA (US)

(56)

References Cited

U.S. PATENT DOCUMENTS

821,468 A * 5/1906 Dashiell A63H 13/16
446/310
1,688,165 A * 10/1928 Tehel A47G 23/0266
220/759
2,515,715 A * 7/1950 Jones A45C 3/10
190/1

(Continued)

FOREIGN PATENT DOCUMENTS

CN 301877917 * 4/2012
KR 300923687.0000 * 9/2017
WO WO-0213937 A1 * 2/2002 A23G 3/50

Primary Examiner — Catherine A Tuttle

(74) *Attorney, Agent, or Firm* — Intellectual Property
Law Offices of Joel Voelzke, APC

(21) Appl. No.: **29/641,775**

(22) Filed: **Mar. 24, 2018**

(51) **LOC (11) Cl.** **21-01**

(52) **U.S. Cl.**
USPC **D21/398**; D21/468; D21/475

(58) **Field of Classification Search**

USPC D21/398, 405, 406, 408, 468, 470, 475,
D21/476, 478, 479, 483, 493, 579–584;
D7/505–507, 601, 602, 603, 608, 701,
D7/703, 705–708, 622, 709;
D3/201–212, 224, 229, 233, 274, 276,
D3/283, 288, 295–298, 302, 900–905;
D1/102, 105; D99/28, 34–42, 99;
D19/106, 116, 122, 123, 127, 128, 132,
D19/135, 136, 138, 157, 59, 62, 64, 75,
D19/77; D9/600, 654, 633, 673, 715,
D9/719, 721, 730, 737, 741, 742, 747,
D9/414; 446/4, 5, 69, 71–81, 144, 145,
446/8, 9, 13, 94, 99, 268, 310, 321, 322,
446/421, 475, 478, 487, 489, 491;
273/153 R, 156, 160

CPC . A63H 3/005; A63H 3/18; A63H 3/36; A63H
3/50; A63H 3/52; A63H 33/00; A63H
33/003; A63H 33/30; A63H 33/42; A63H
33/425; A63H 37/00; A63F 2009/0012;
A63F 2009/0013; A63F 2009/0027; A63F

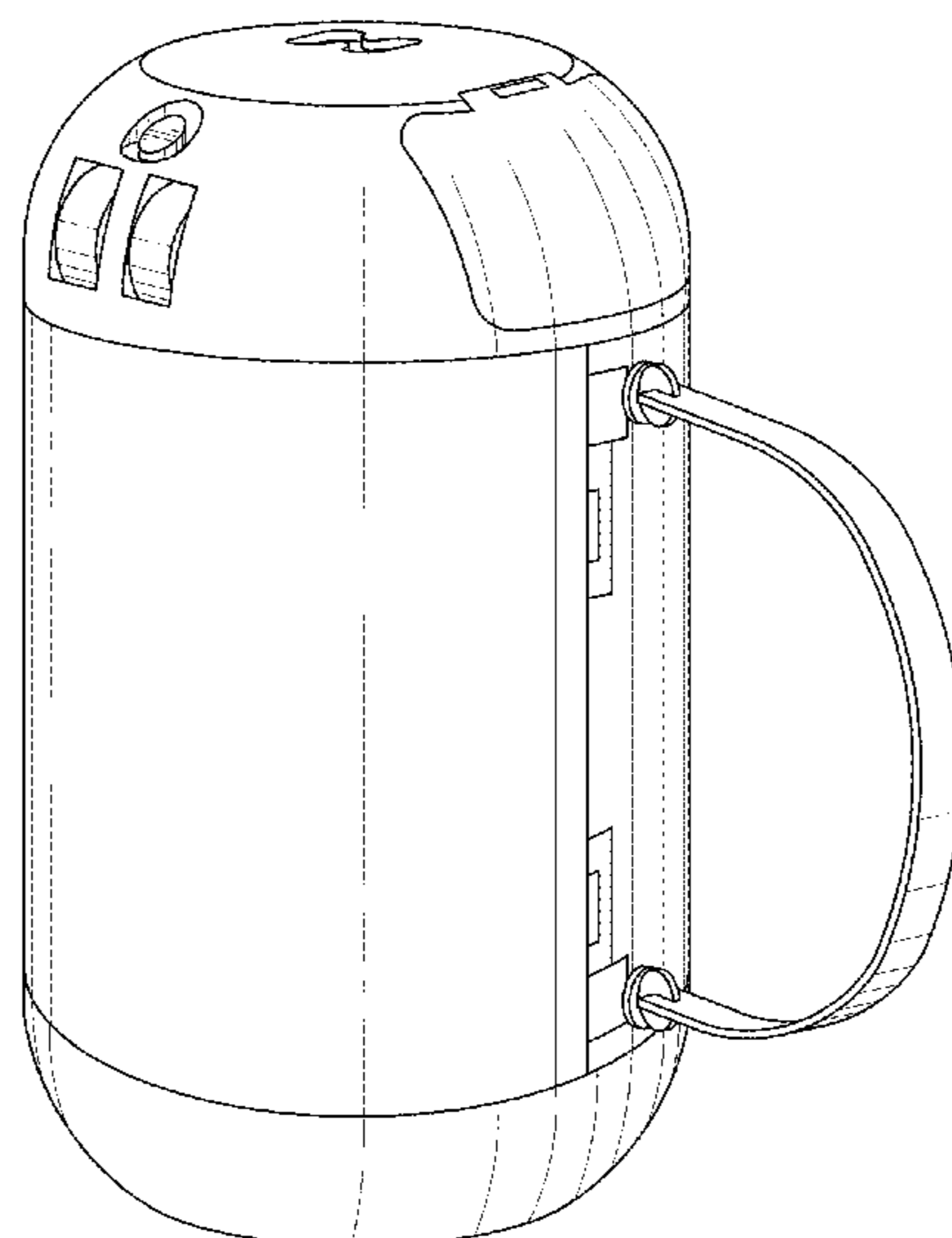
CLAIM

(57) The ornamental design for a toy surprise capsule, as shown and described.

DESCRIPTION

FIG. 1 is a top, front and right perspective view of the toy surprise capsule showing my new design;
FIG. 2 is a front elevation view thereof;
FIG. 3 is a rear elevation view thereof;
FIG. 4 is a side elevation view thereof, showing the right side;
FIG. 5 is side elevation view thereof, showing the left side;
FIG. 6 is a top plan view thereof; and,
FIG. 7 is a bottom plan view thereof.

1 Claim, 6 Drawing Sheets



(56)

References Cited

U.S. PATENT DOCUMENTS

2,691,241 A *	10/1954	Fatoule	G07F 17/105	446/9	D353,749 S *	12/1994	Rozmiarek	D7/709
3,572,715 A *	3/1971	Ramirez	A63H 13/16	124/16	D391,999 S *	3/1998	Chininis	D21/475
3,630,527 A *	12/1971	Breslow	A63F 9/12	273/157 R	5,954,563 A *	9/1999	Spriggs	F42B 4/22
4,217,724 A *	8/1980	Schoenfield	A63H 3/16	273/160					102/357
4,666,042 A *	5/1987	Dlott	A45C 9/00	206/315.1	D454,376 S *	3/2002	Bezalel	D21/398
4,946,413 A *	8/1990	Lehmann	A63H 17/008	446/28	7,285,034 B2 *	10/2007	Kay	A63H 3/52
5,090,935 A *	2/1992	Monson	A63F 9/12	273/157 R	D561,992 S *	2/2008	Linsley	D3/271.1
D338,317 S *	8/1993	Woodward	D99/28		D572,316 S *	7/2008	Billen	D21/483
						8,646,778 B2 *	2/2014	Best	G09B 19/00
										273/138.1
						9,782,685 B1 *	10/2017	Perez	A63H 33/003
						9,931,579 B1 *	4/2018	Garcia	A63H 3/52
						D818,054 S *	5/2018	McLachlan	D21/468
						2004/0259466 A1 *	12/2004	Maxwell	A63H 33/042
										446/487
						2015/0238852 A1 *	8/2015	Perkins	A63F 9/001
										273/153 S

* cited by examiner

FIG. 1

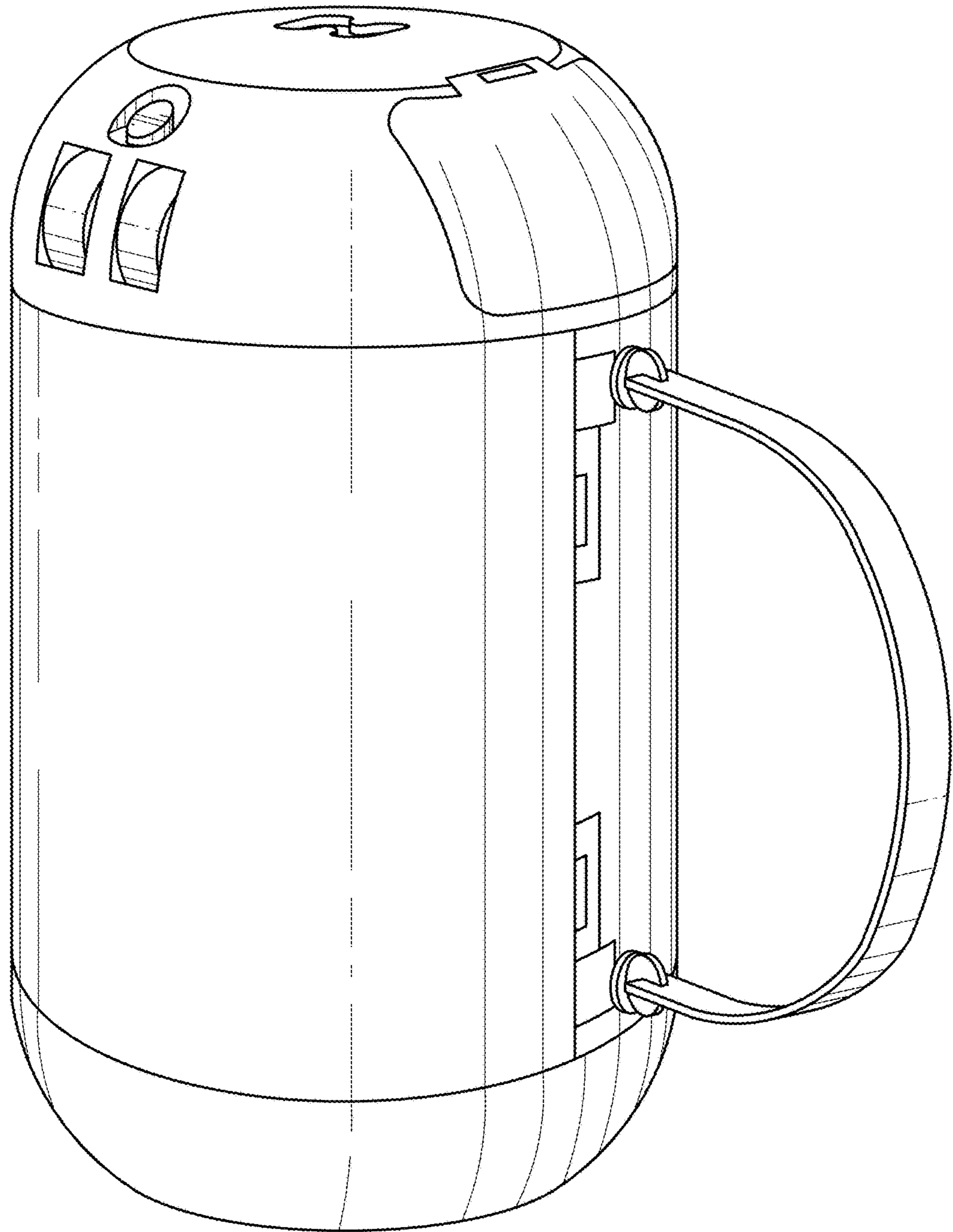


FIG. 2

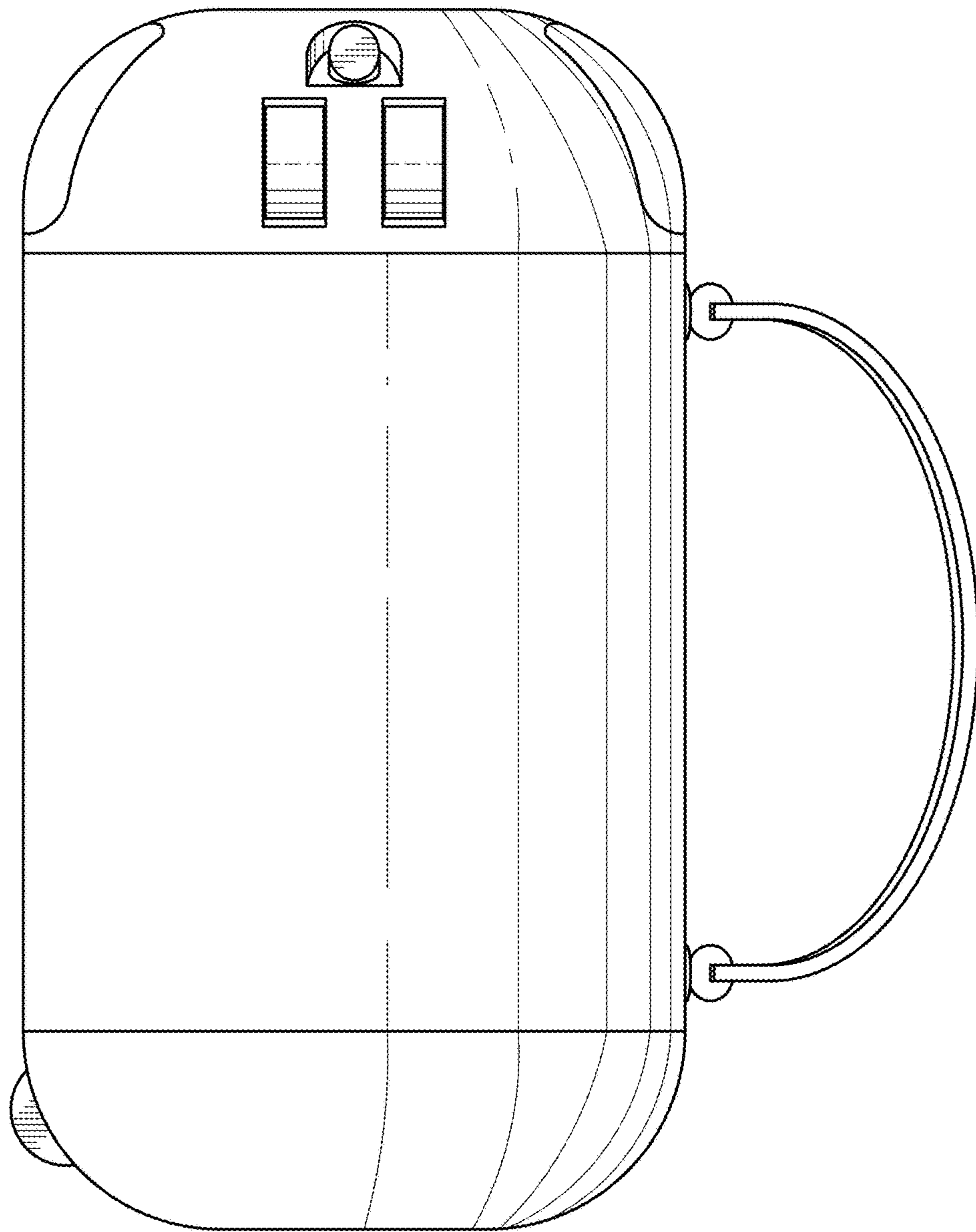


FIG. 3

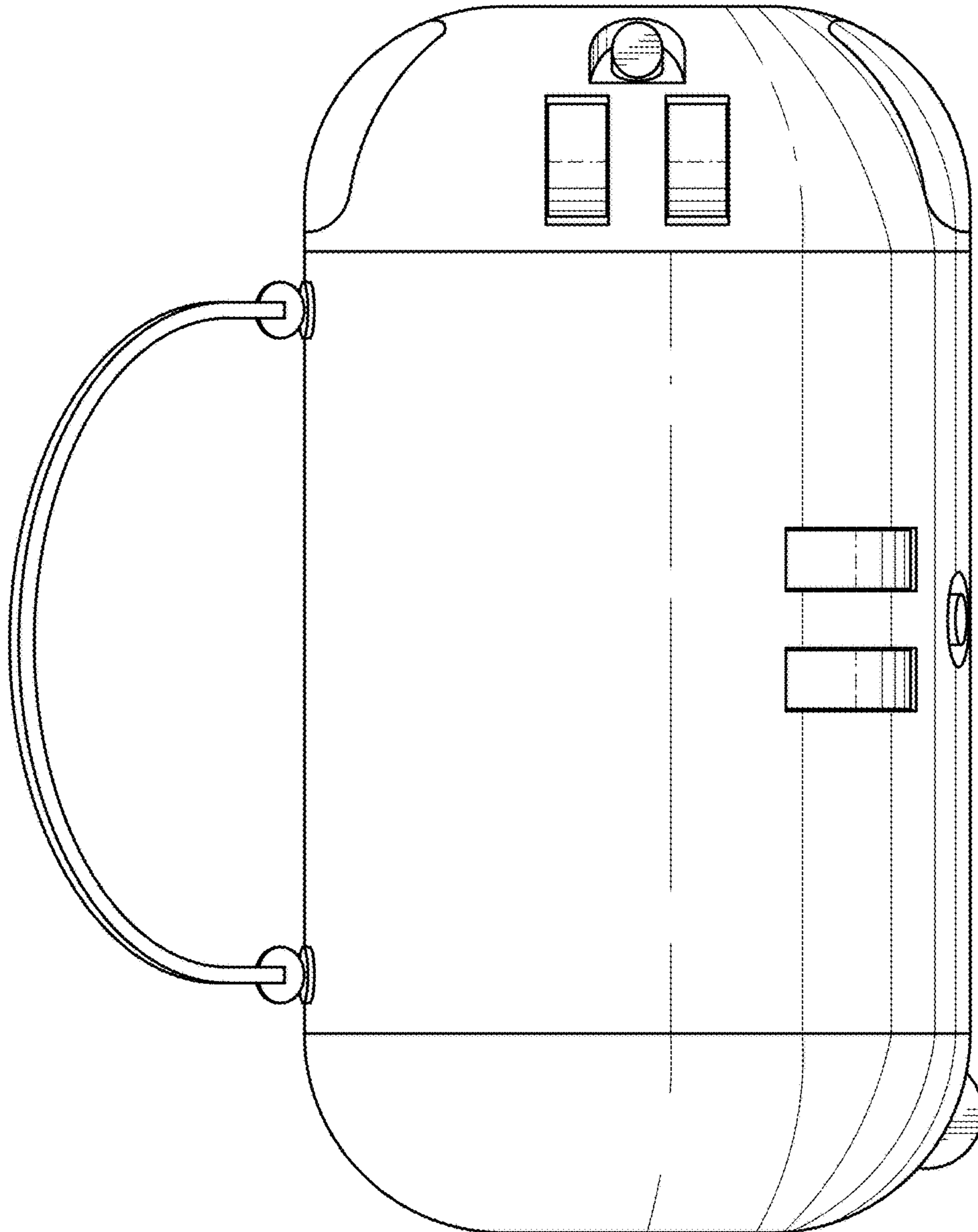


FIG. 4

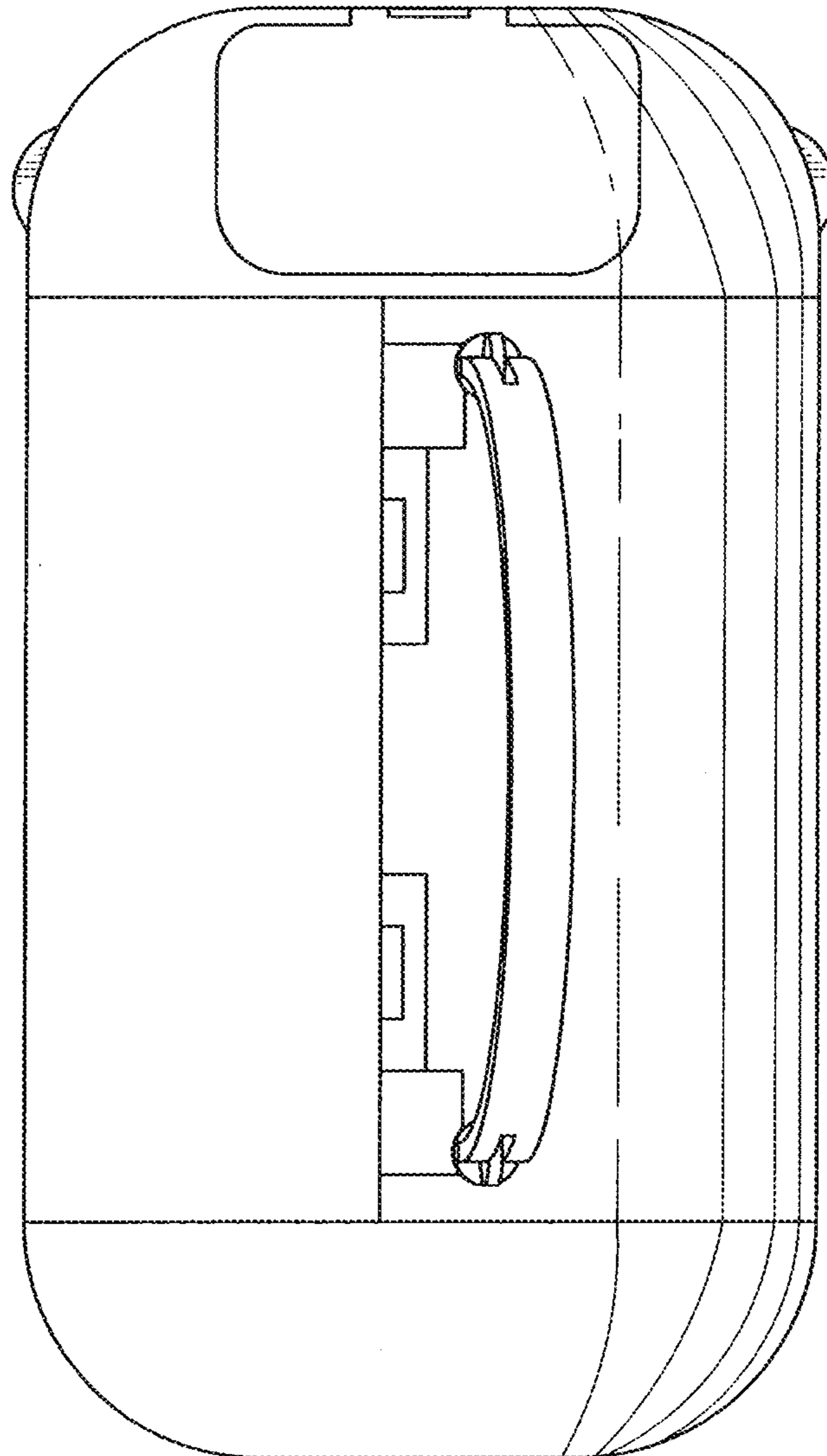


FIG. 5

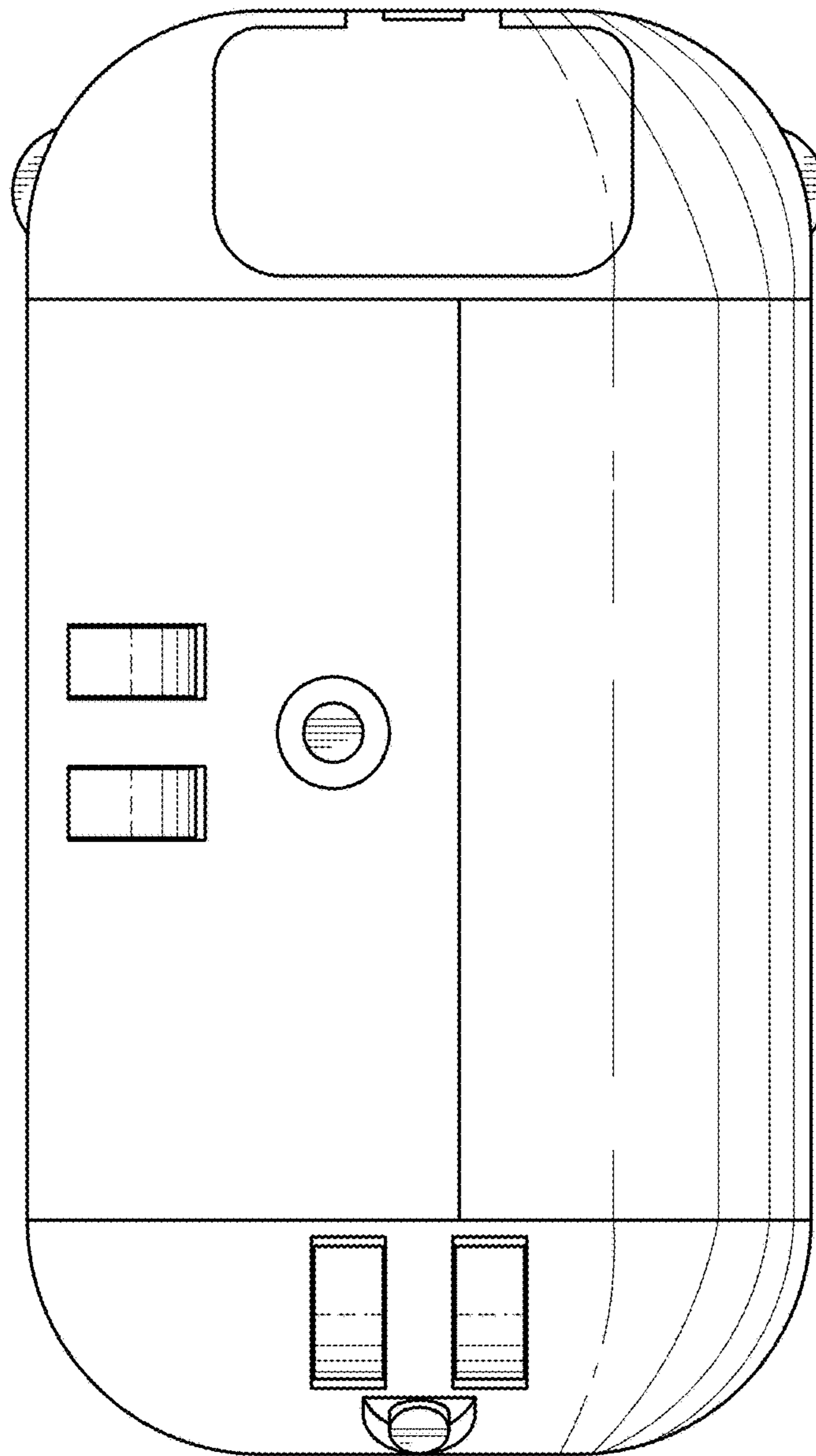


FIG. 6

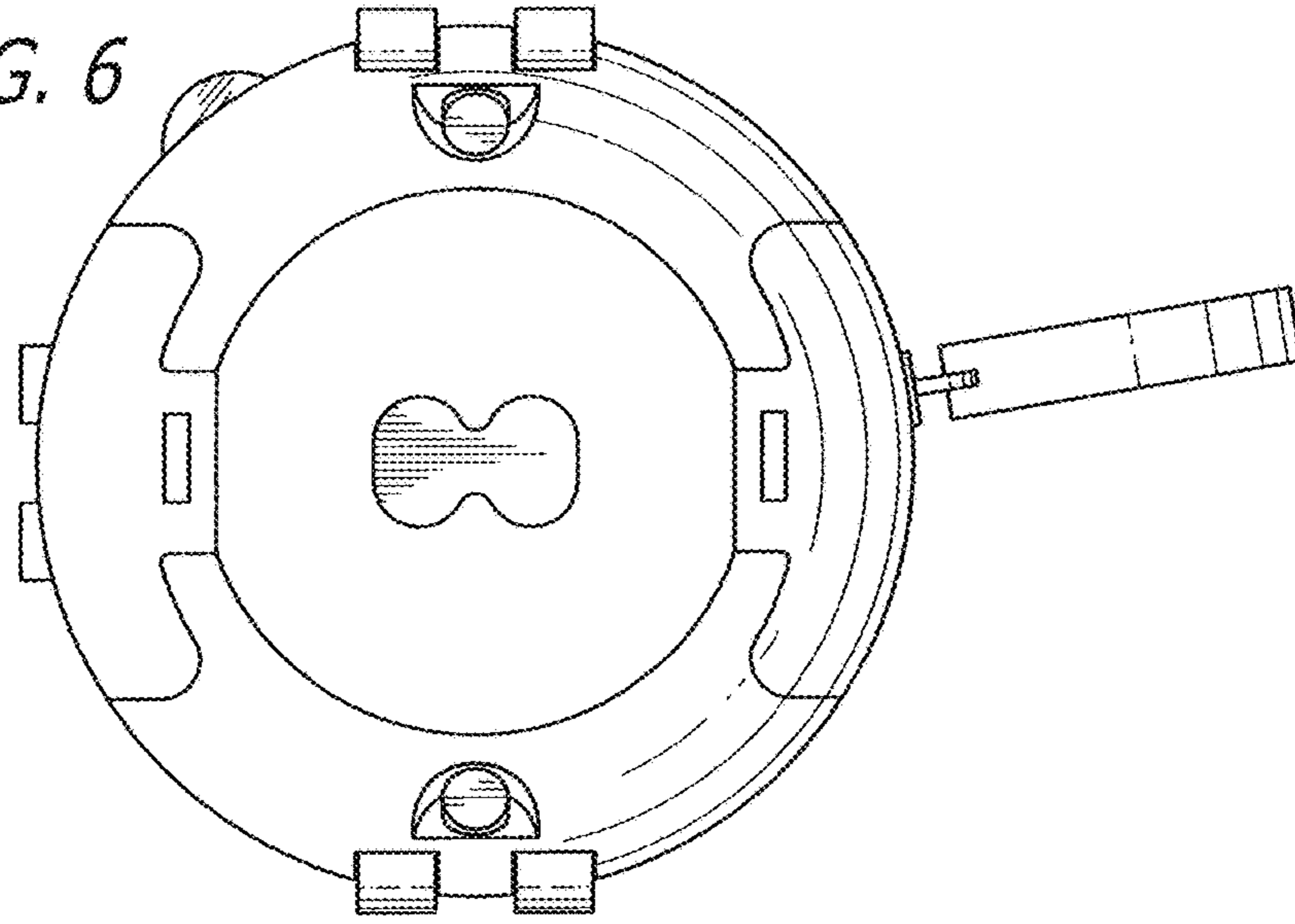


FIG. 7

